

[54] SWIMMER'S TOWABLE DIVING PLANE

[76] Inventor: Robert L. Meister, 4404 Old Mill Rd., Fort Wayne, Ind. 46807

[**] Term: 14 Years

[21] Appl. No.: 177,620

[22] Filed: Aug. 13, 1980

[52] U.S. Cl. D21/236

[58] Field of Search D21/236, 237, 238; D12/308; 114/332, 245

[56] References Cited

U.S. PATENT DOCUMENTS

D. 189,008	10/1960	Foster	D21/236
2,948,251	8/1960	Replogle	114/245
3,039,415	6/1962	Foster	114/245
3,084,653	4/1963	Lepine	114/245
3,107,640	10/1963	Lepine	114/245
3,139,055	6/1964	Nutting	114/245
3,163,148	12/1964	Duren	114/245

3,261,318	7/1966	Jones	114/245
3,625,172	12/1971	Gilster	114/245
3,638,598	2/1972	Vlad	114/245
3,645,224	2/1972	Haberman	114/245
3,883,092	5/1975	Ditto	244/91
3,931,777	1/1976	Colgan	114/245

Primary Examiner—Alan P. Douglas
Attorney, Agent, or Firm—George A. Gust

[57] CLAIM

The ornamental design of a swimmer's towable diving plane, as illustrated and described.

DESCRIPTION

FIG. 1 is a top plan view of the swimmer's towable diving plane;
FIG. 2 is a front view;
FIG. 3 is a rear view;
FIG. 4 is a bottom view;
FIG. 5 is a side view, the other side having the same appearance, and
FIG. 6 is a perspective view thereof.

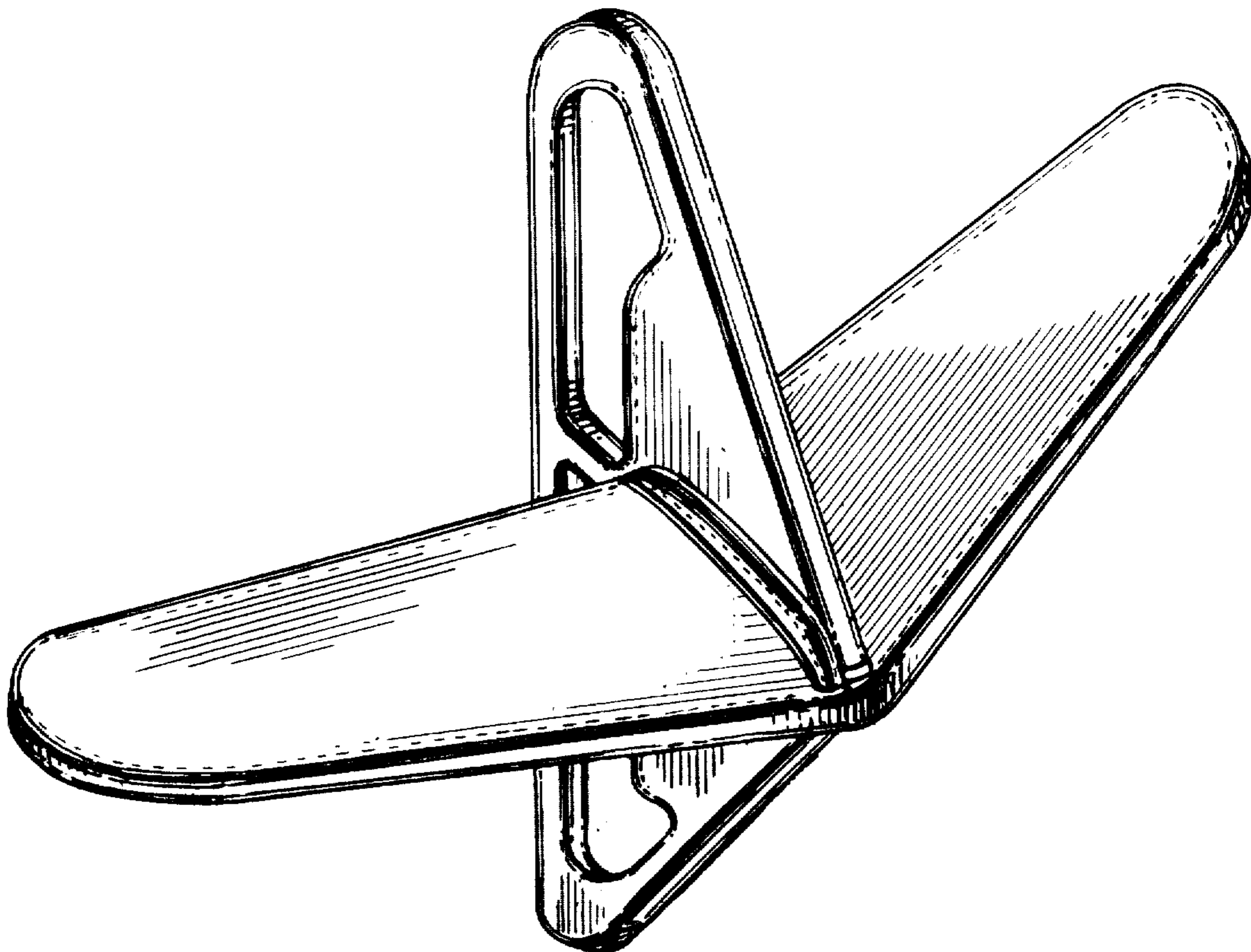


FIG. 1

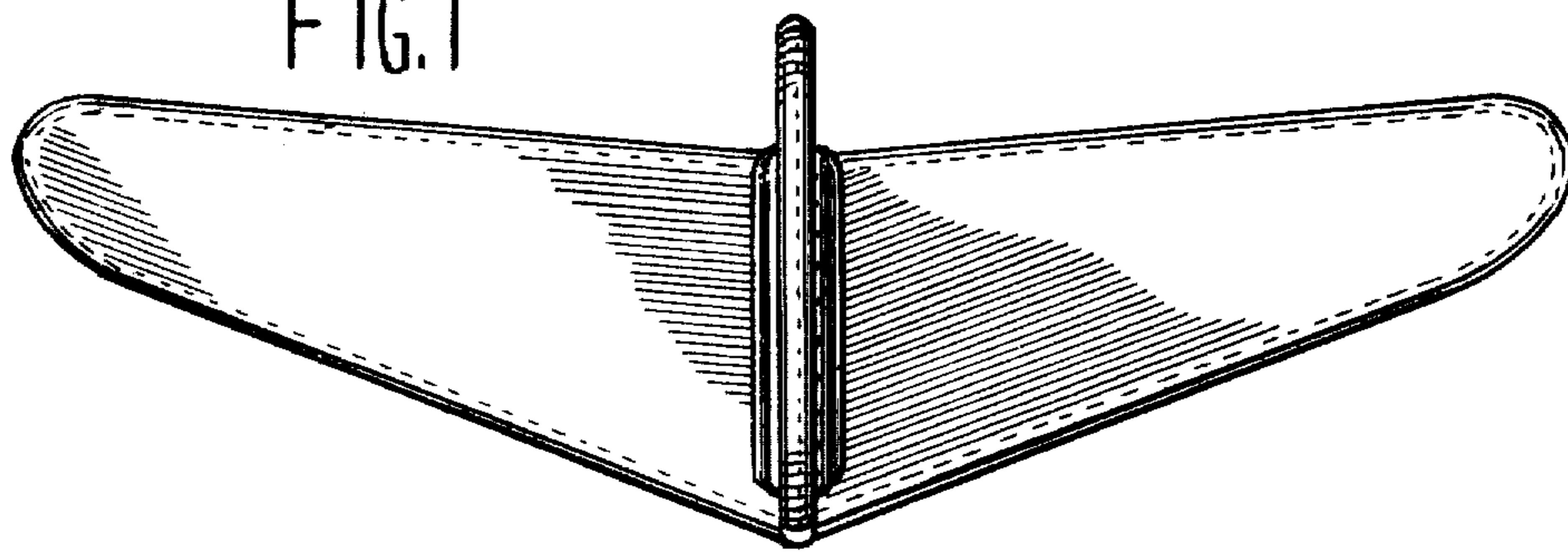


FIG. 2

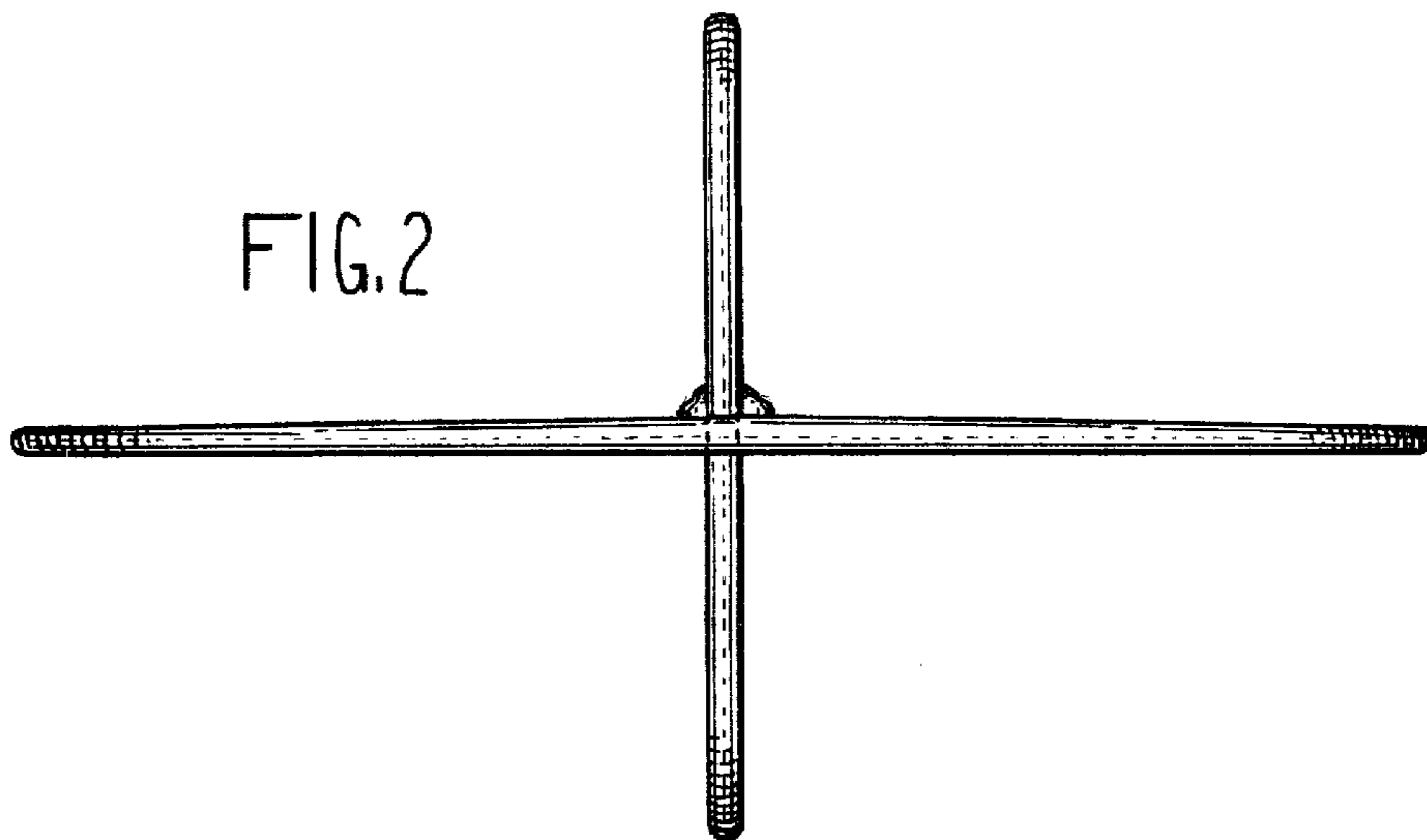
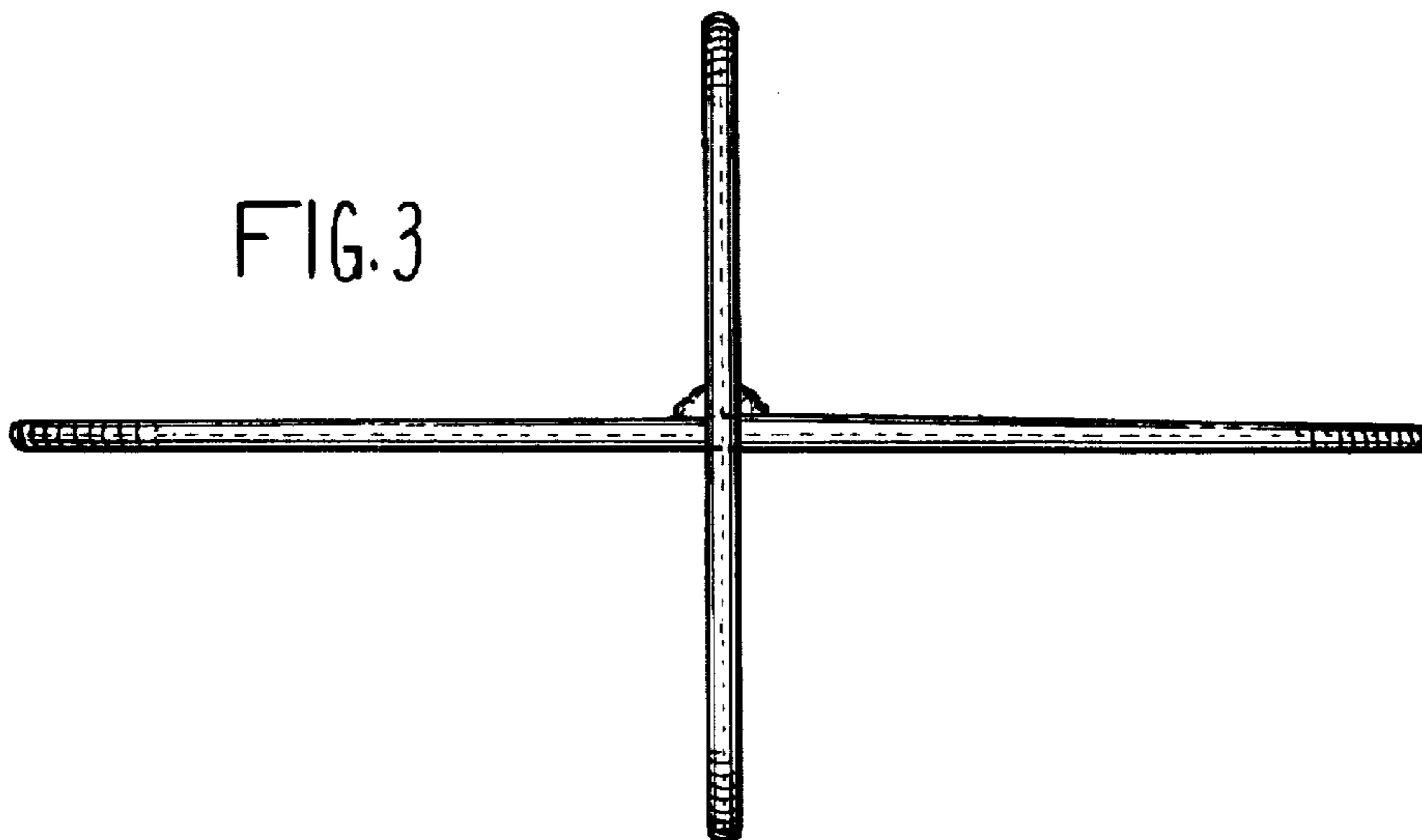


FIG. 3



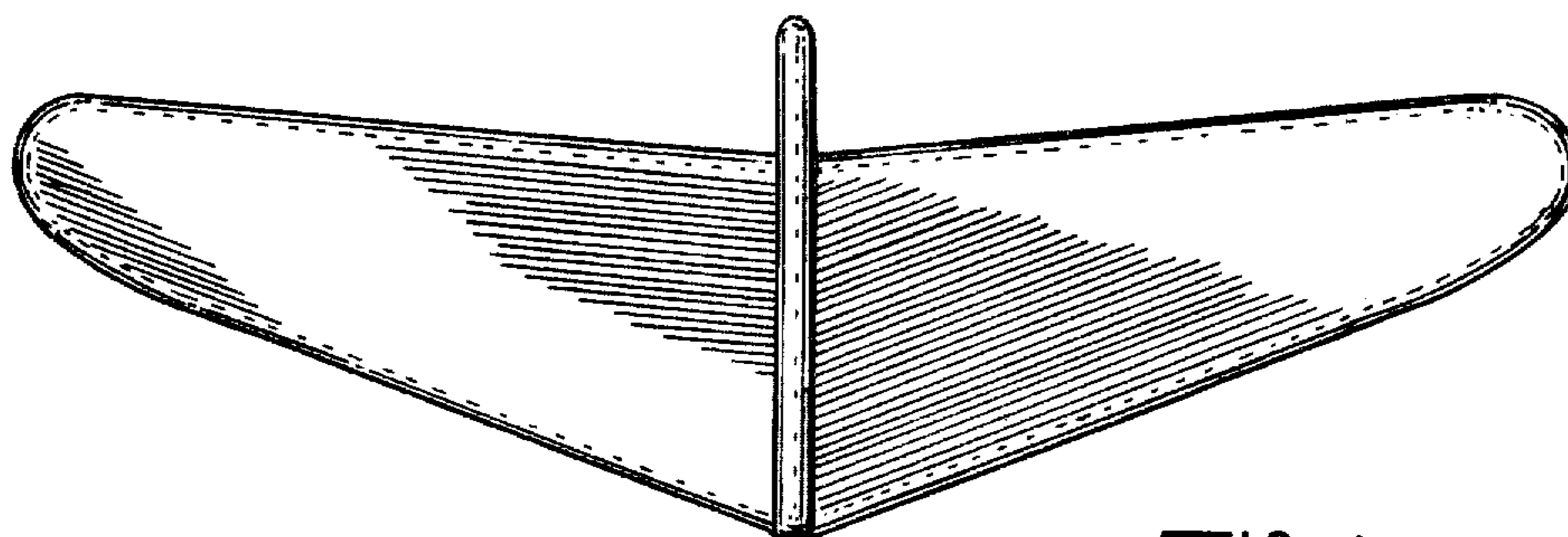


FIG. 4

FIG. 5

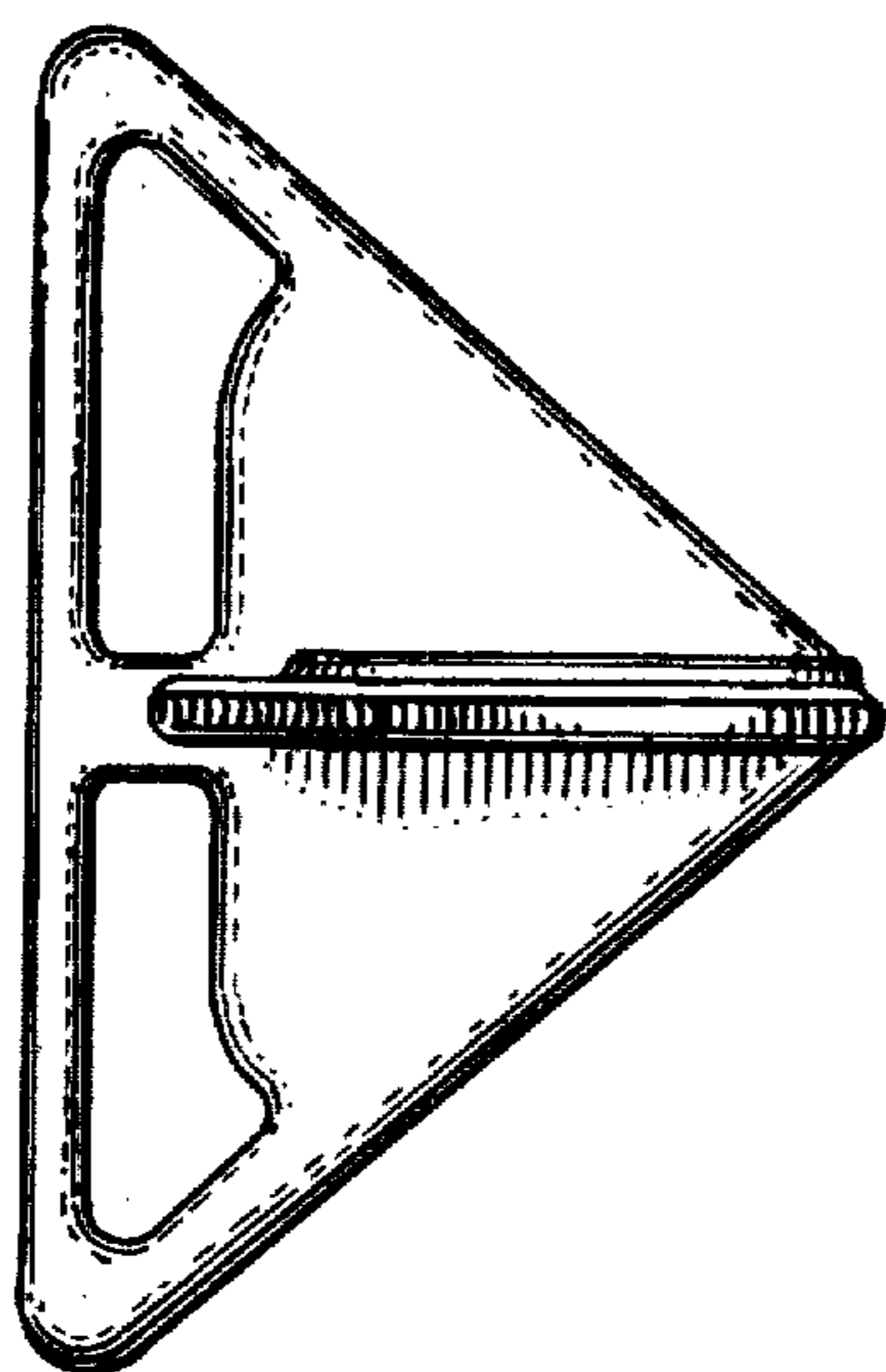


FIG. 6

