

[54] **HAND OPERATED LABEL APPLYING MACHINE**

2,656,063 10/1953 Kafka 156/384
4,301,729 11/1981 Fujita 156/384 X

[75] Inventors: **Yo Sato, Tokyo; Tadao Kashiwaba, Iwate, both of Japan**

[73] Assignee: **Kabushiki Kaisha Sato, Japan**

[**] Term: **14 Years**

[21] Appl. No.: **385,767**

[22] Filed: **Jun. 7, 1982**

[30] **Foreign Application Priority Data**

Dec. 8, 1981 [JP] Japan 56-54272

[52] U.S. Cl. **D18/19**

[58] Field of Search D18/13-15,
D18/18, 19, 22, 99; D19/68; D8/49, 50;
101/288; 156/384, DIG. 48, DIG. 49

[56] **References Cited**

U.S. PATENT DOCUMENTS

D. 209,350 11/1967 Sato et al. D18/19
D. 250,060 10/1978 Sato D18/19

OTHER PUBLICATIONS

Hardware Age, 9/1/69, p. 49—Dymo Precision Pricer.

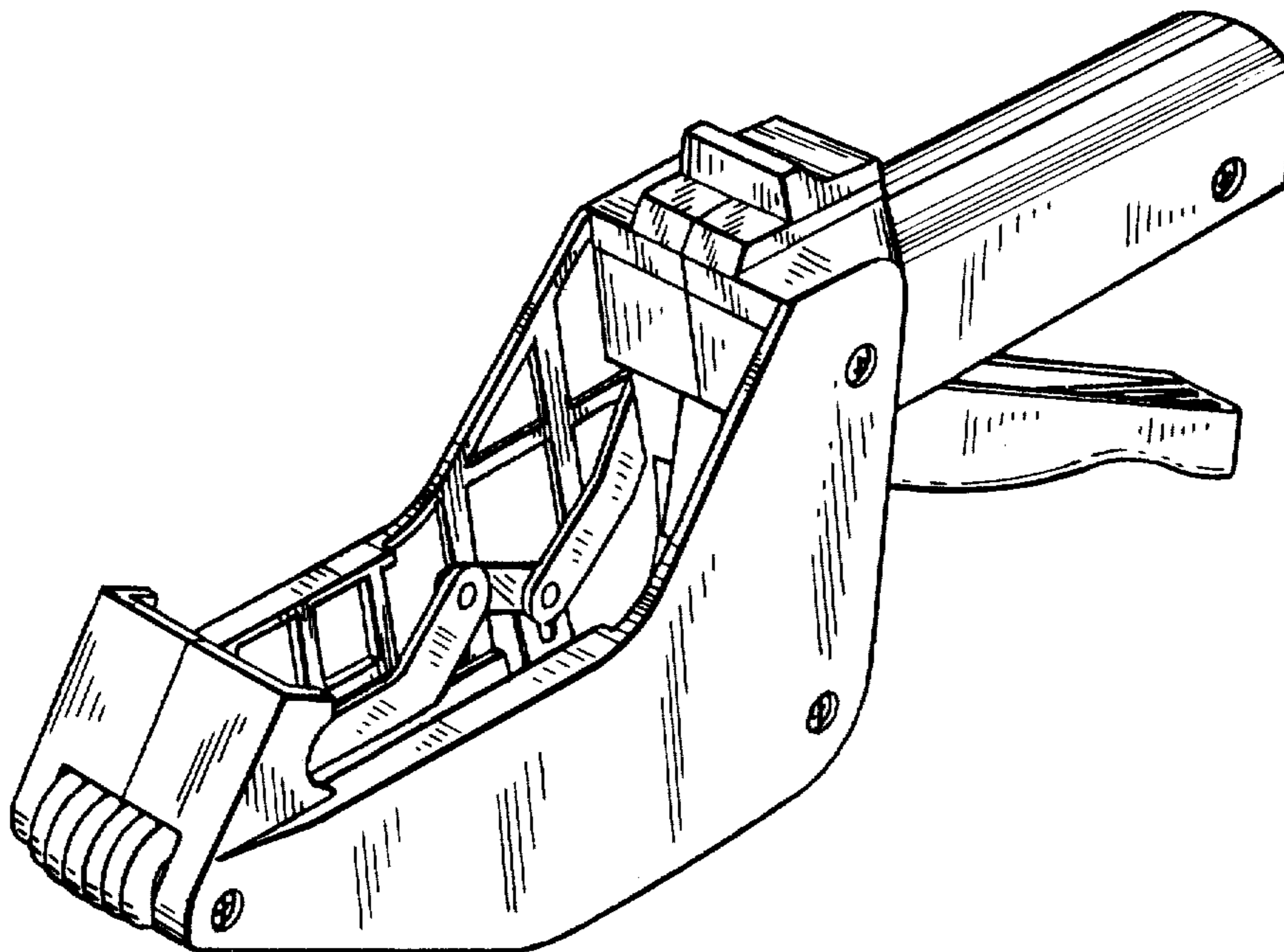
Primary Examiner—Louis S. Zarfes
Attorney, Agent, or Firm—Ostrolenk, Faber, Gerb & Soffen

[57] **CLAIM**

The ornamental design for a hand operated label applying machine, as shown.

DESCRIPTION

FIG. 1 is a left side elevational view of a hand operated label applying machine showing our new design; FIG. 2 is a right side elevational view thereof; FIG. 3 is a top plan view thereof; FIG. 4 is a bottom plan view thereof; FIG. 5 is a front view thereof; FIG. 6 is a rear view thereof; FIG. 7 is an elevational cross-sectional view thereof; and FIG. 8 is a left side perspective view thereof.



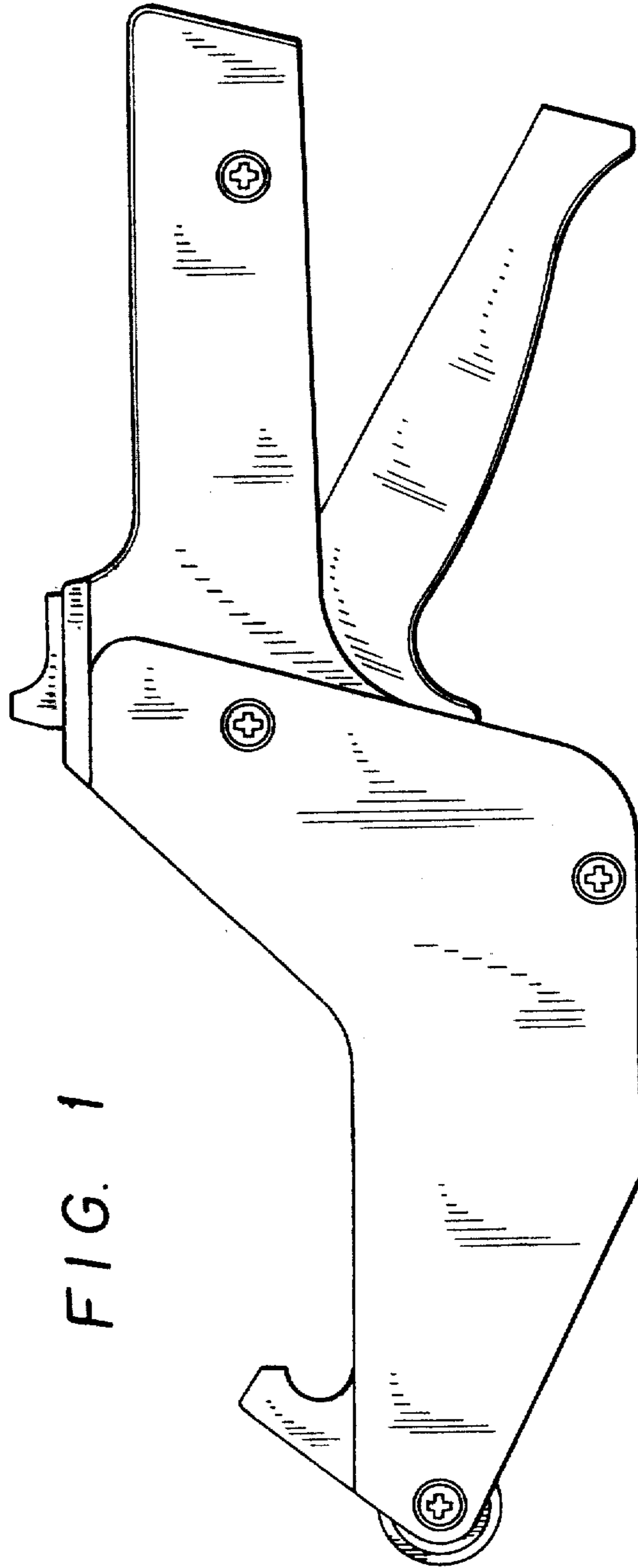


FIG. 1

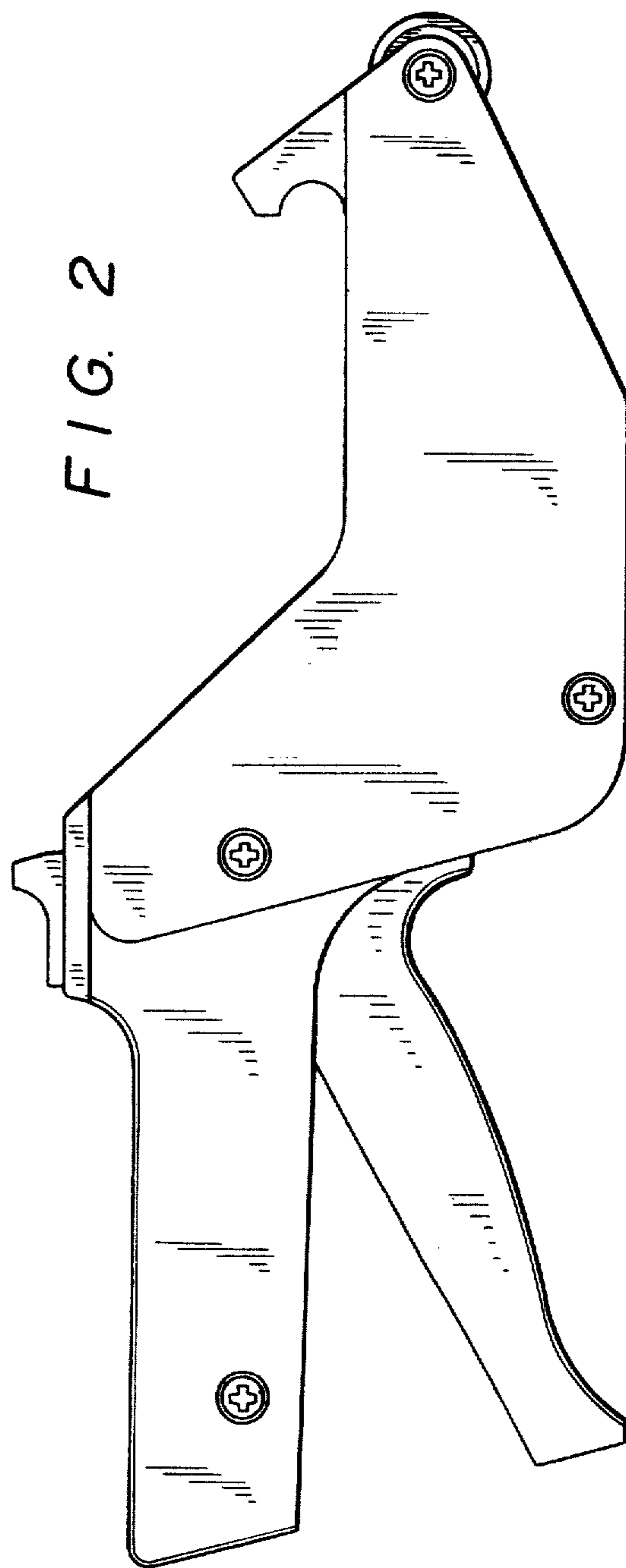


FIG. 3

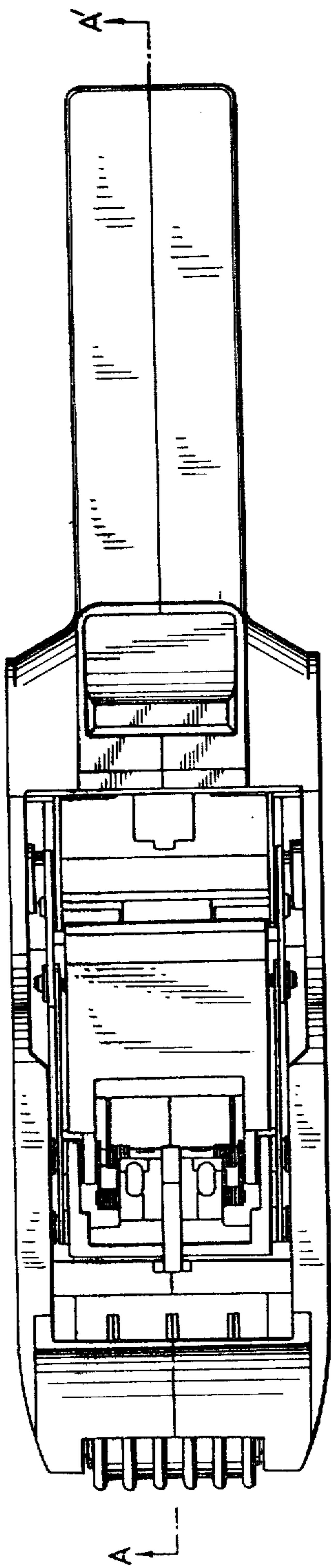


FIG. 4

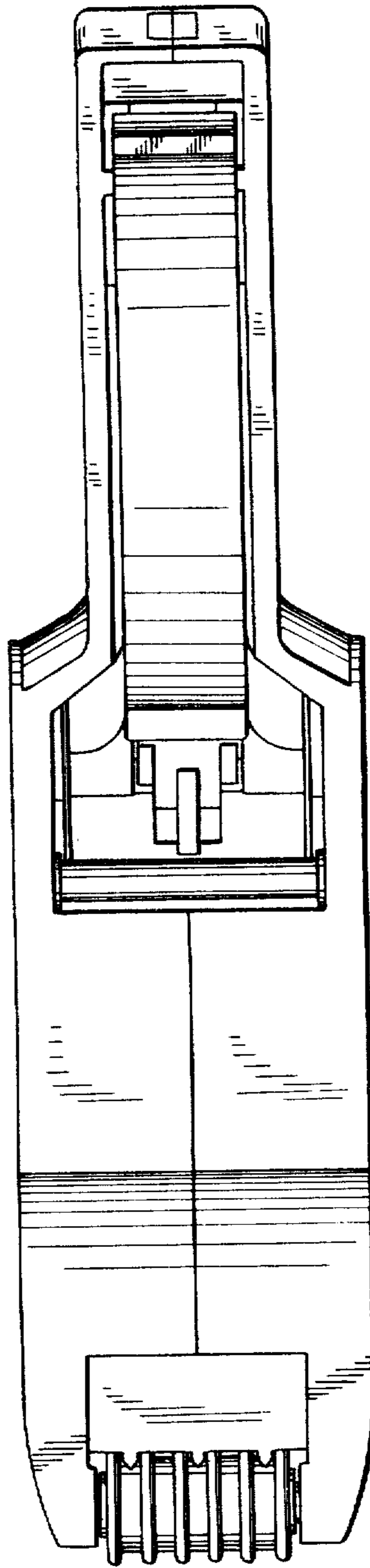


FIG. 5

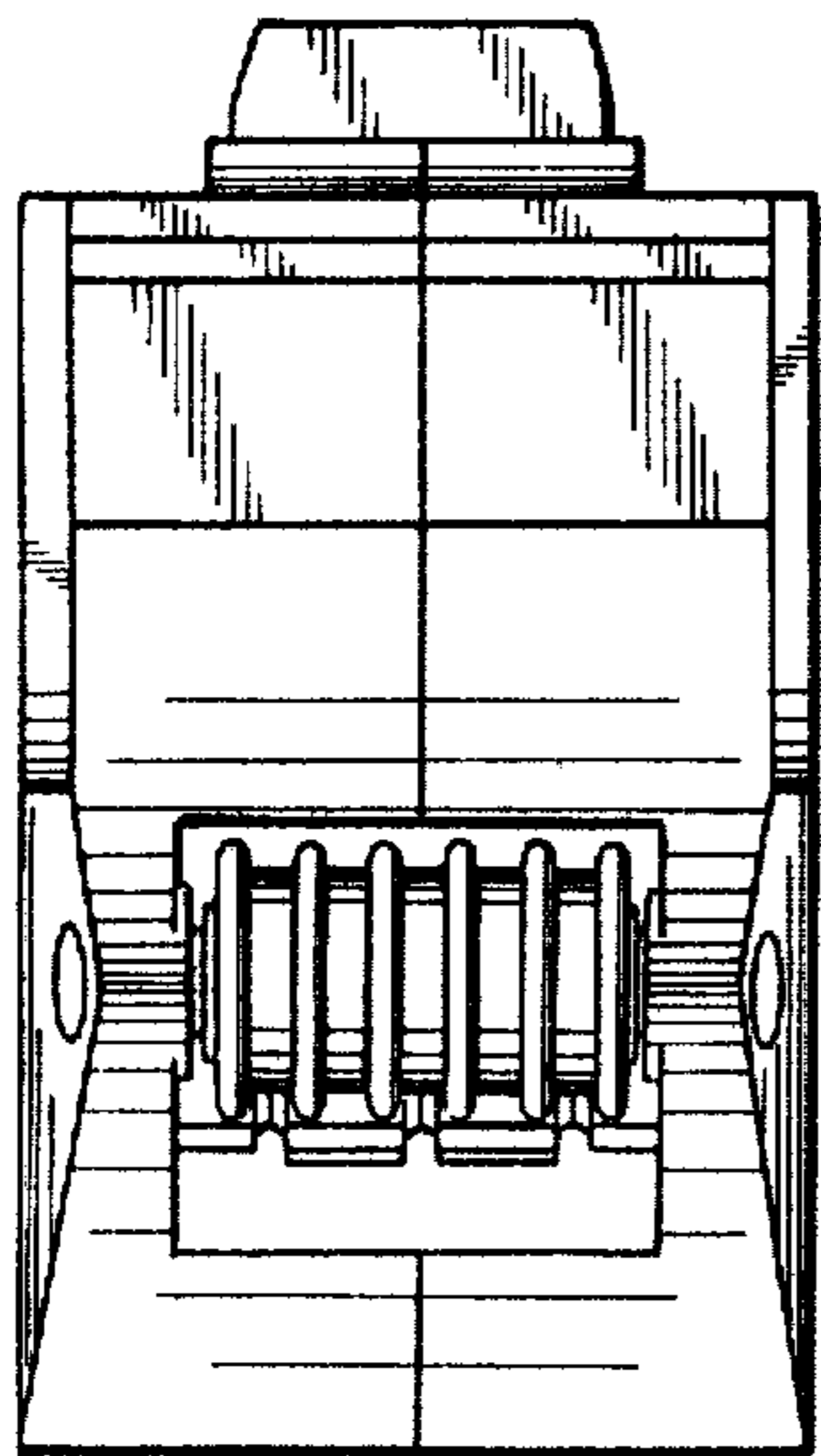


FIG. 6

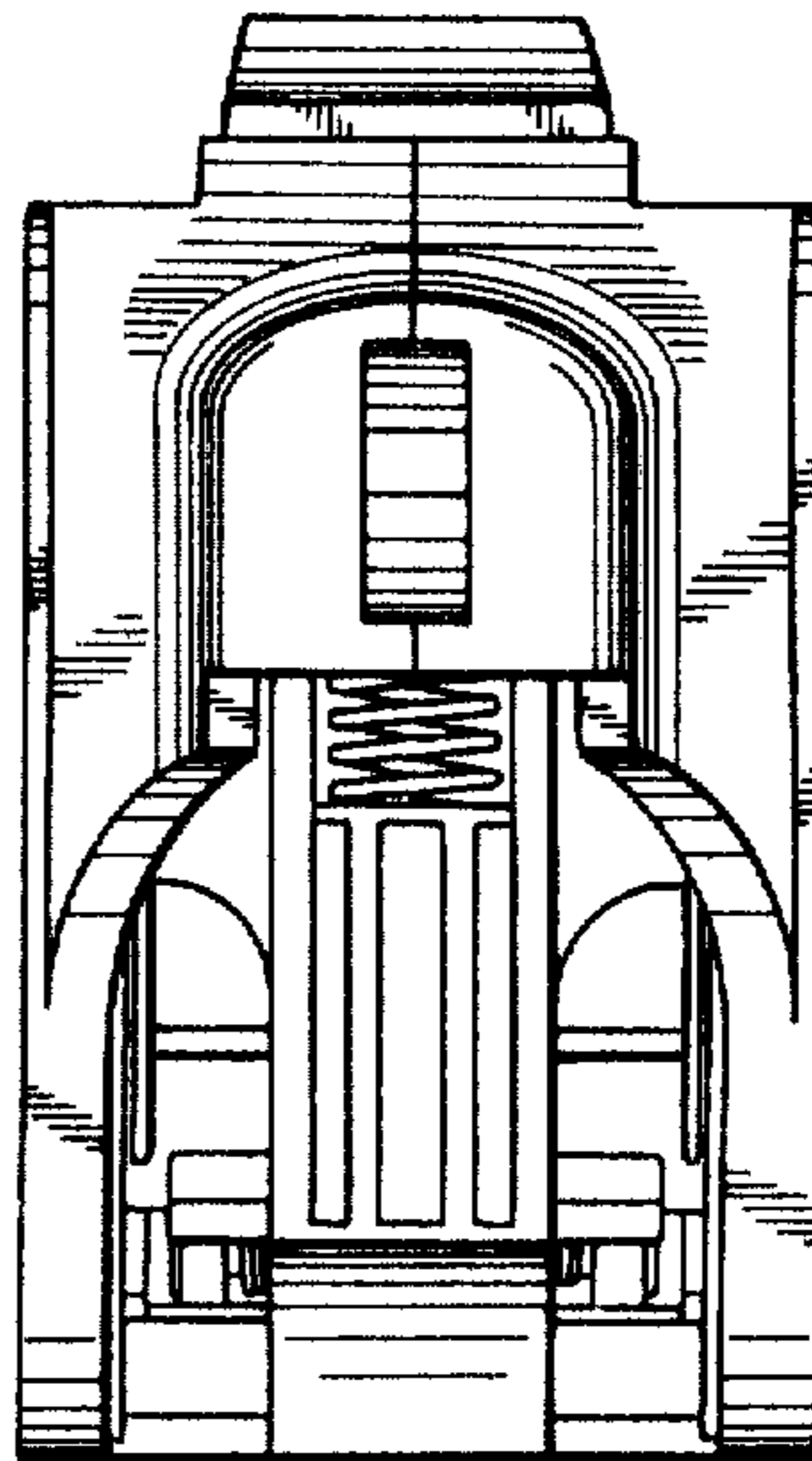


FIG. 7

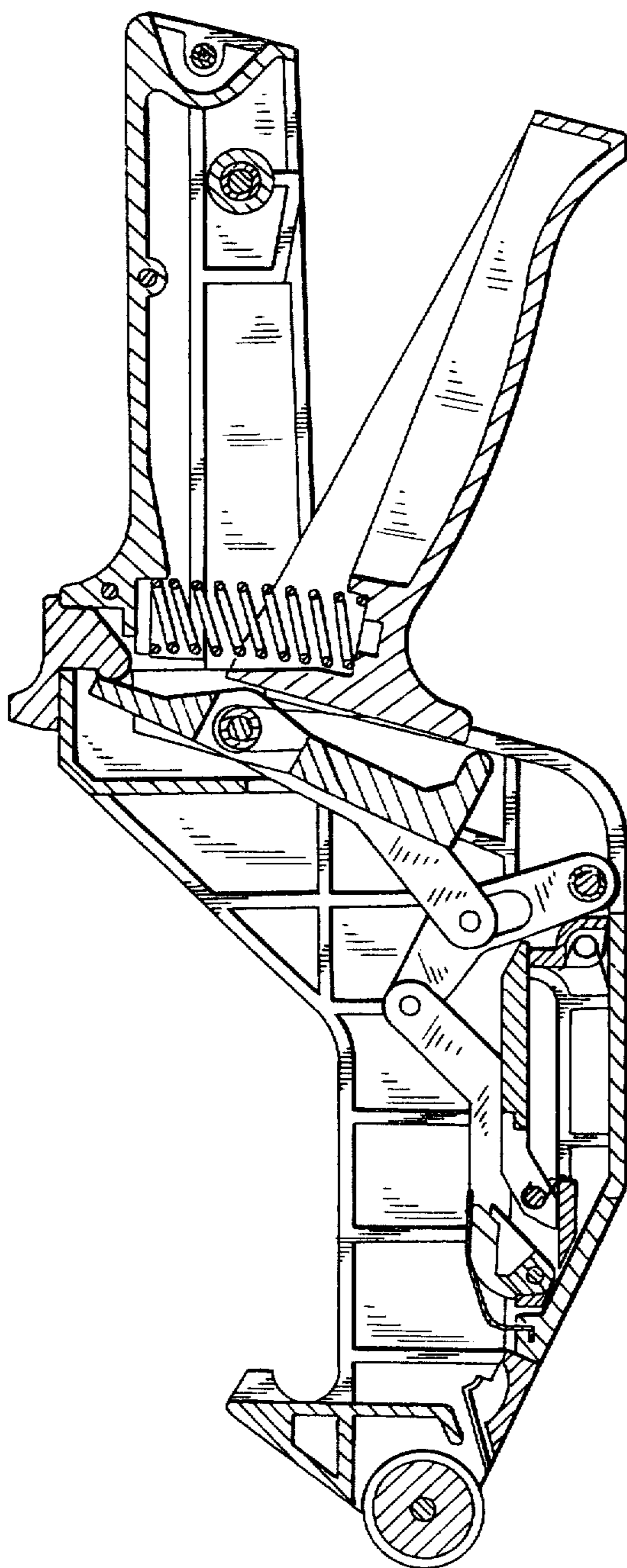


FIG. 8

