

[54] LUGGAGE MONOGRAMMING MACHINE

[76] Inventor: Charles E. Rawson, 8073 Kentwood Ave., Los Angeles, Calif. 90045

[\*\*] Term: 14 Years

[21] Appl. No.: 333,660

[22] Filed: Dec. 23, 1981

[52] U.S. Cl. .... D18/15; D15/128

[58] Field of Search ..... D18/13-15, D18/18, 19, 22, 34, 99; D19/72; D8/49, 50; D15/123, 128; 101/3 R, 3 SP, 4, 33, 35, 407 BP

[56] References Cited

U.S. PATENT DOCUMENTS

- D. 152,037 12/1948 Stadler ..... D18/15
- D. 233,911 12/1974 Marsh et al. .... D15/128 X
- 1,733,876 10/1929 Halvorsen et al. .... 101/407 BP
- 1,987,370 1/1935 Pleger ..... 101/407 BP
- 3,094,926 6/1963 Mintz ..... D18/15 X

FOREIGN PATENT DOCUMENTS

328114 4/1930 United Kingdom ..... 101/3 SP

OTHER PUBLICATIONS

*Mark Eyelet & Stamping, Inc.*, Information Bulletin #168, Accuram Mark I Eyelet Staker.

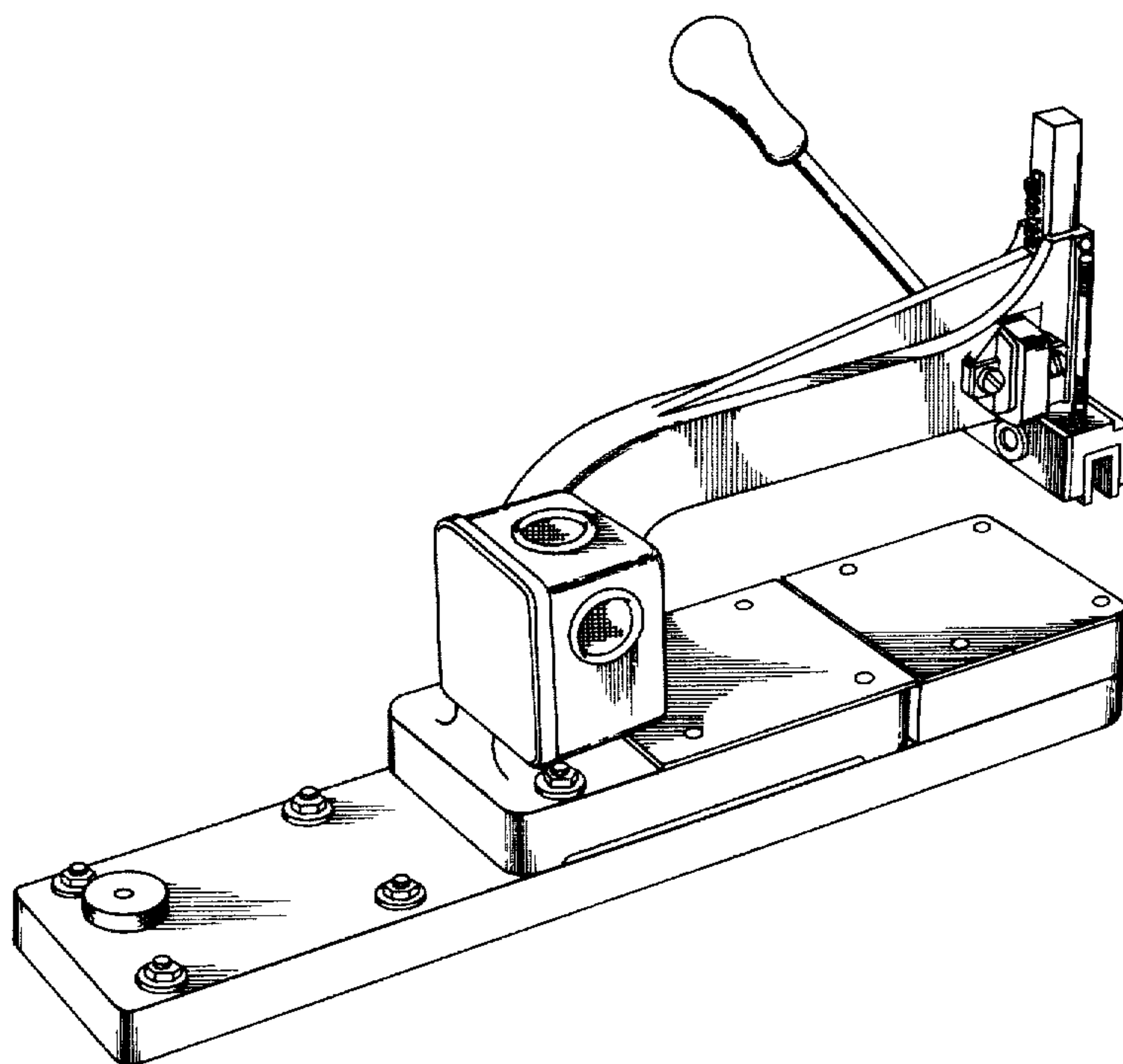
*Primary Examiner*—Louis S. Zarfes  
*Attorney, Agent, or Firm*—Lyon & Lyon

[57] CLAIM

The ornamental design for a luggage monogramming machine, substantially as shown and described.

DESCRIPTION

FIG. 1 is a perspective view of a luggage monogramming machine showing my new design; FIG. 2 is a right side elevational view thereof; FIG. 3 is a front elevational view thereof; and FIG. 4 is a top plan view thereof.



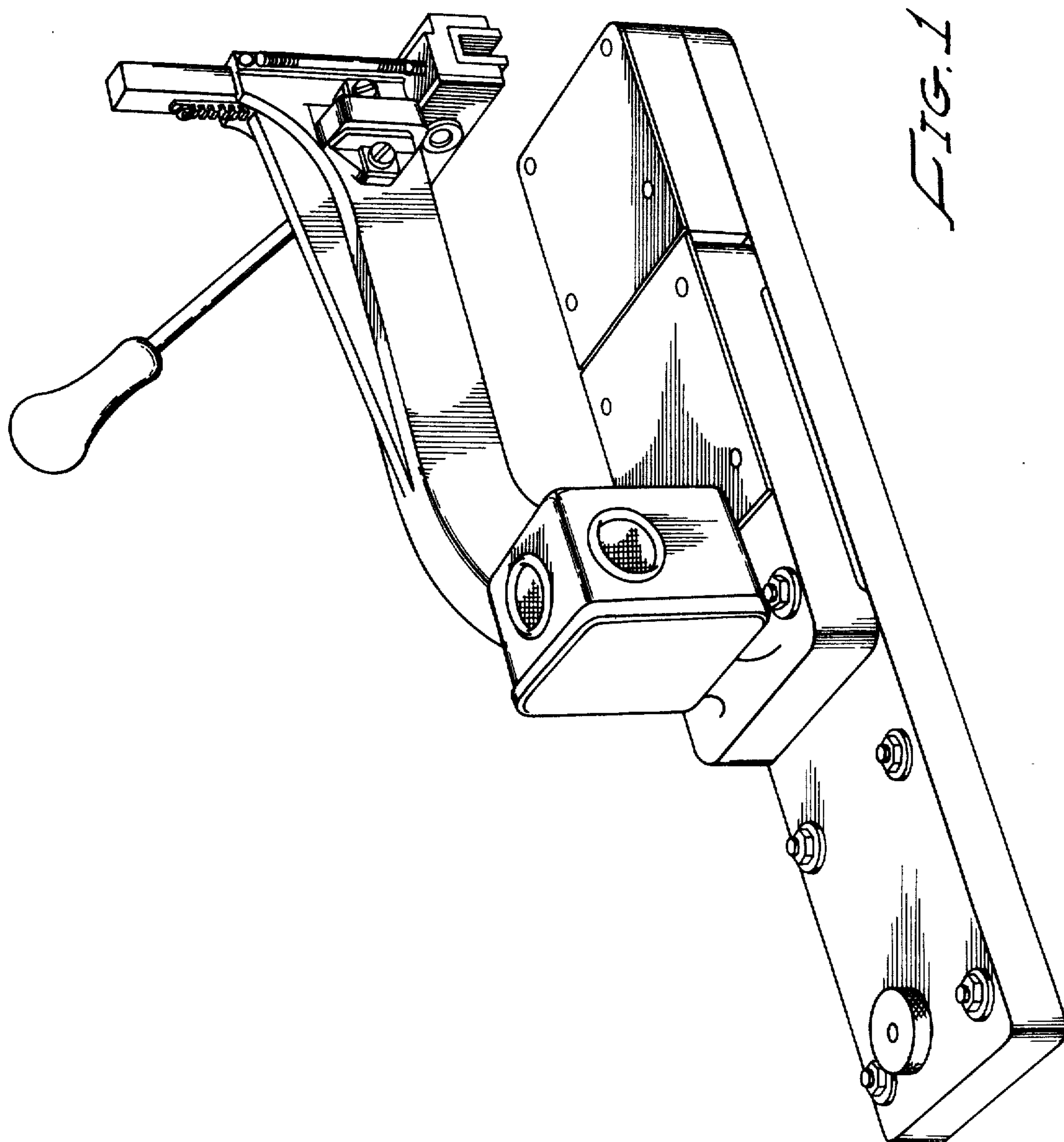
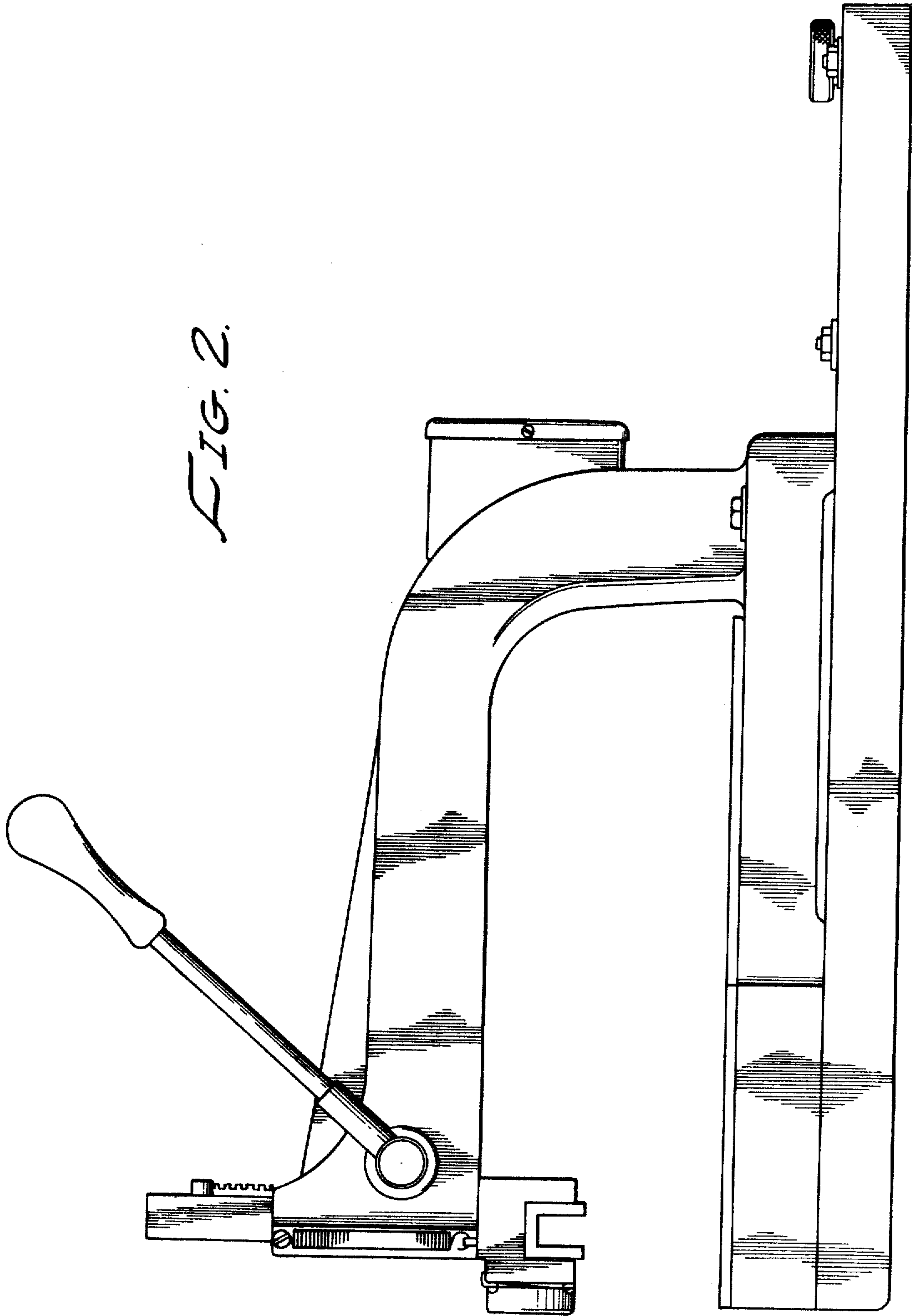


FIG. 1

FIG. 2.



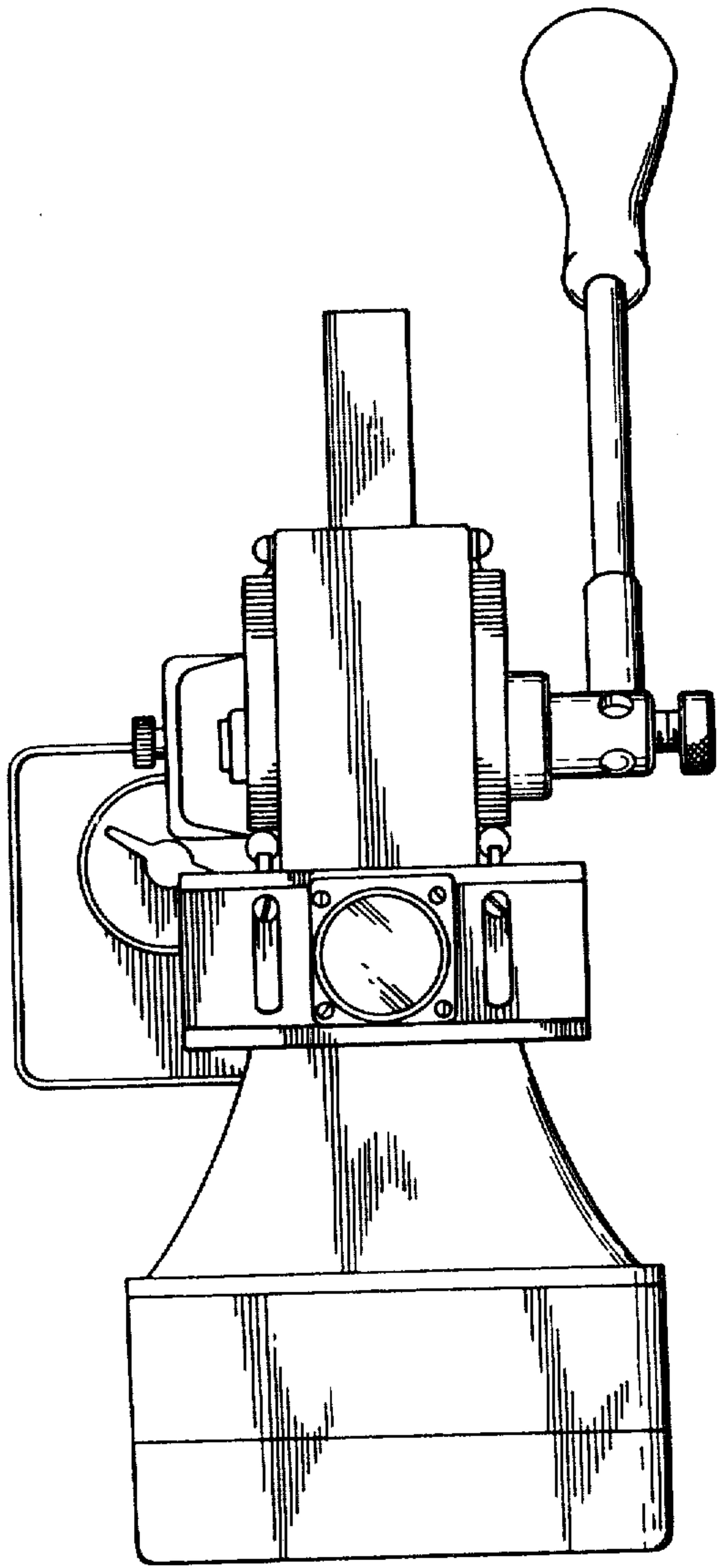


FIG. 3.

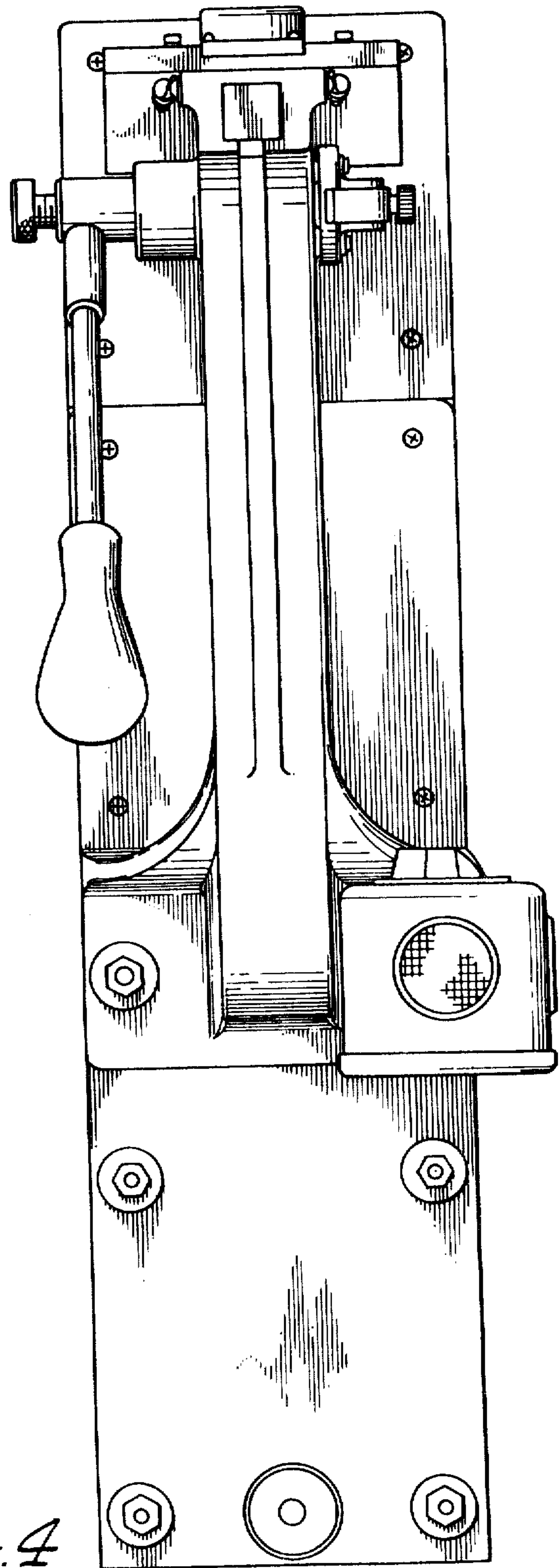


FIG. 4