

[54] INK JET PRINTER

3,913,719 10/1975 Frey 346/75 X
4,370,665 1/1983 Scranton et al. 346/75

[75] Inventor: Daniel T. Noonan, Irving, Tex.

[73] Assignee: The Mead Corporation, Dayton, Ohio

[**] Term: 14 Years

[21] Appl. No.: 355,448

[22] Filed: Mar. 8, 1982

[52] U.S. Cl. D18/13; D16/28

[58] Field of Search D18/13, 22, 99; 346/75;
400/126; D16/27-31

OTHER PUBLICATIONS

IBM Technical Disclosure Bulletin, vol. 23, No. 8, 1/81, p. 3594—"Ink Jet Measurement", FIG. 1.

Primary Examiner—Louis S. Zarfes
Attorney, Agent, or Firm—Biebel, French & Nauman

[57] CLAIM

The ornamental design for an ink jet printer, as shown.

DESCRIPTION

FIG. 1 is a right front perspective view of an ink jet printer showing my new design; FIG. 2 is a top plan view thereof; FIG. 3 is a front elevational view thereof; FIG. 4 is a left side elevational view thereof; FIG. 5 is a right side elevational view thereof; and FIG. 6 is a rear elevational view thereof.

[56] References Cited

U.S. PATENT DOCUMENTS

- D. 232,480 8/1974 Laughon D16/27
- D. 263,311 3/1982 Goto D16/30
- D. 267,723 1/1983 Hara D16/28

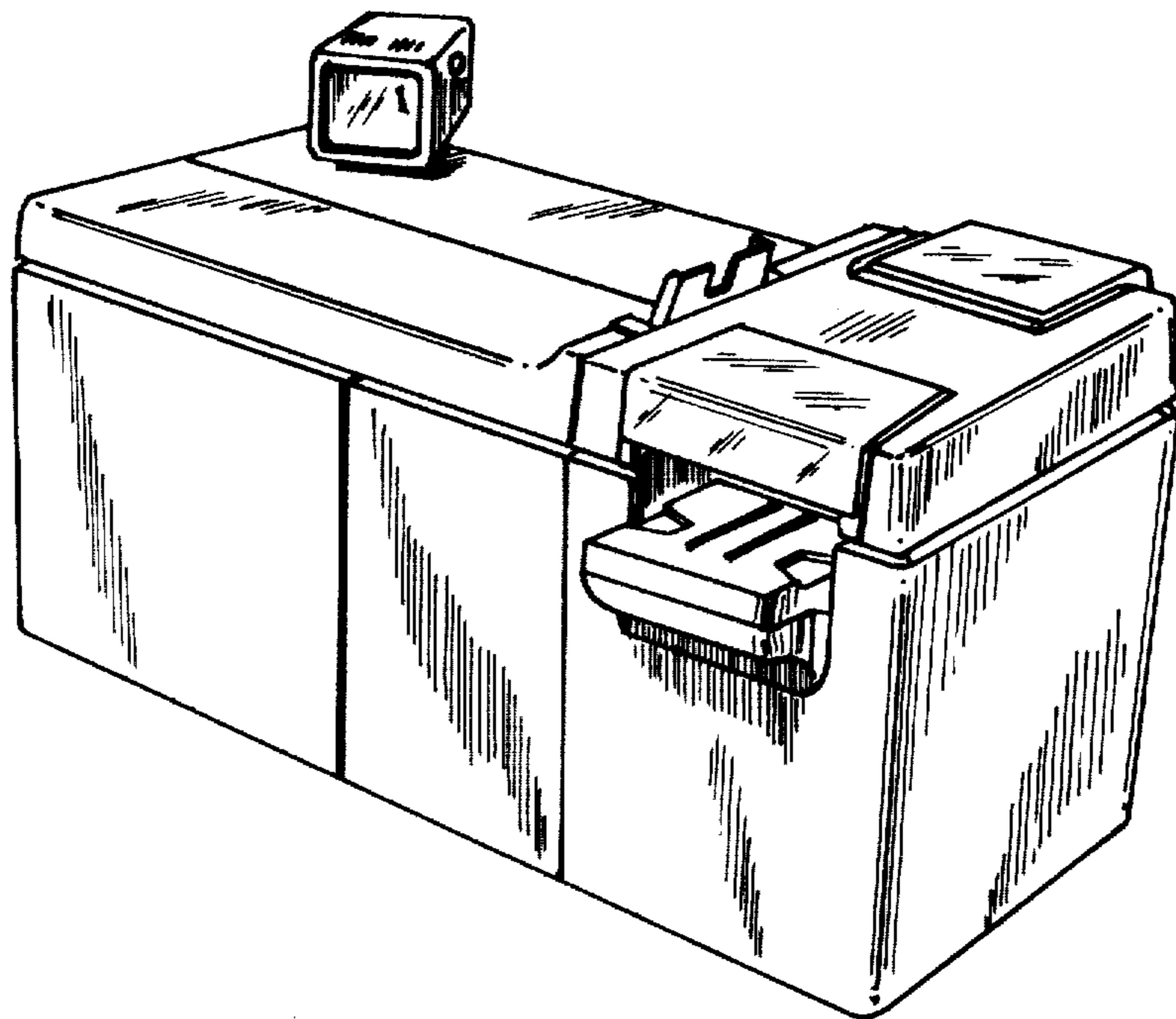


FIG-1

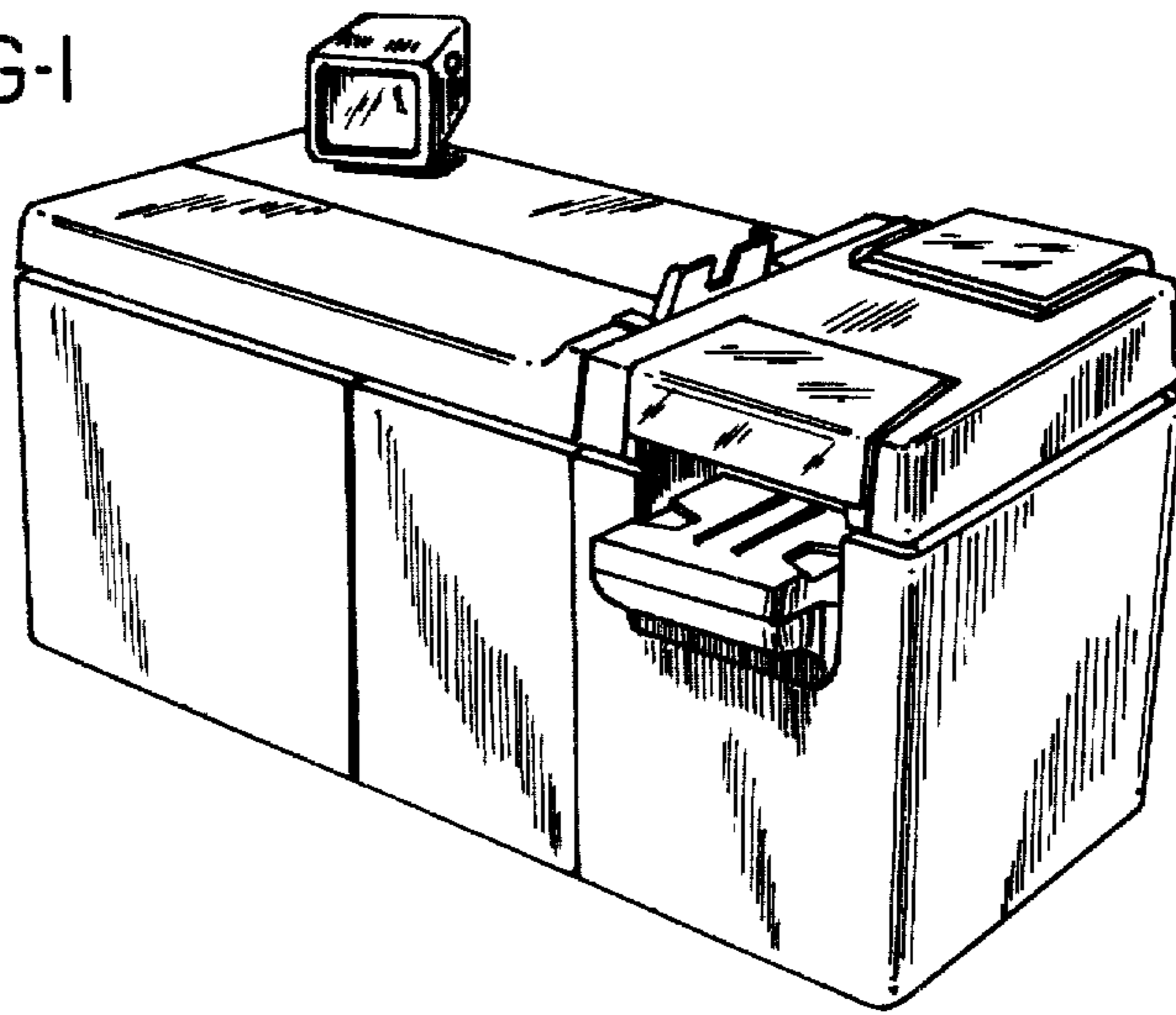


FIG-2

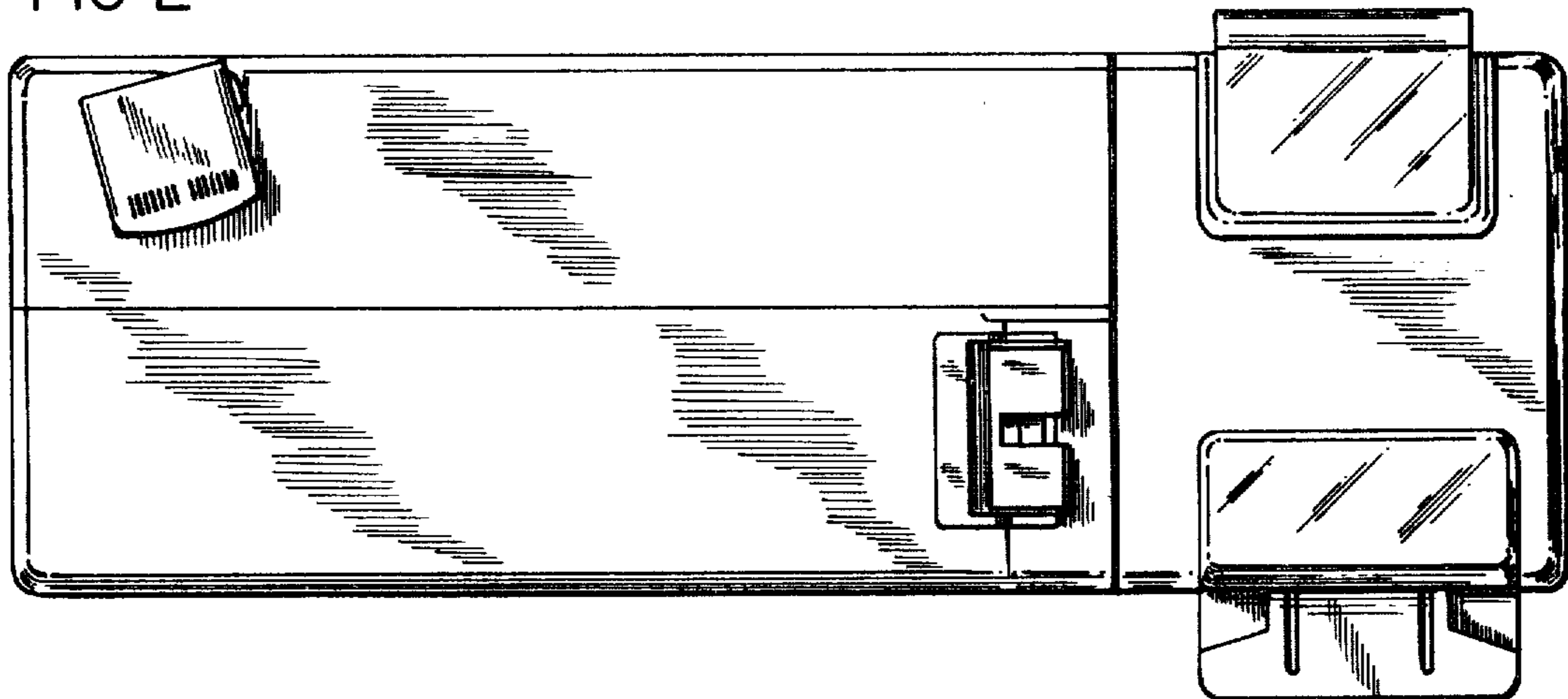


FIG-3

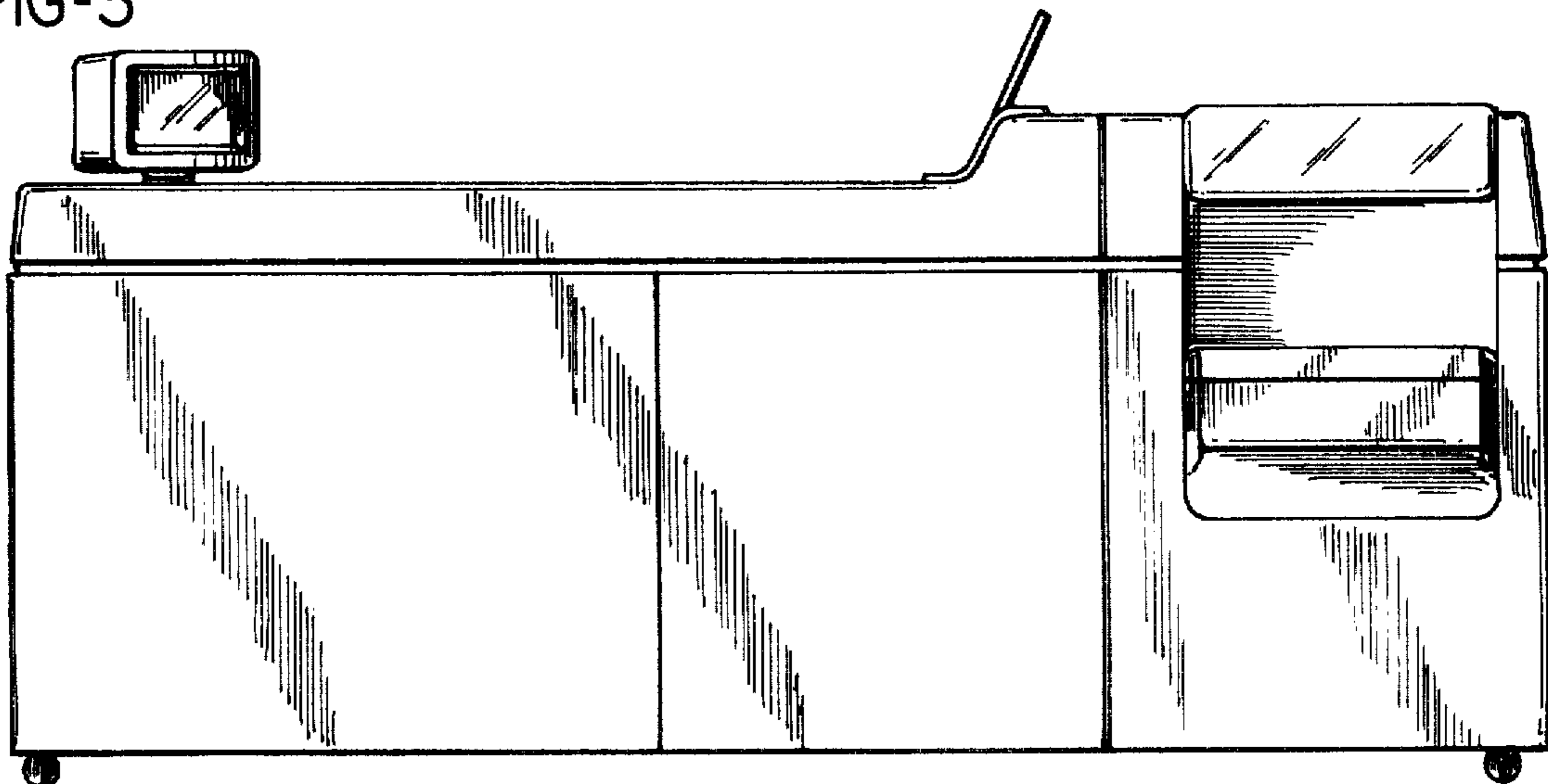


FIG-4

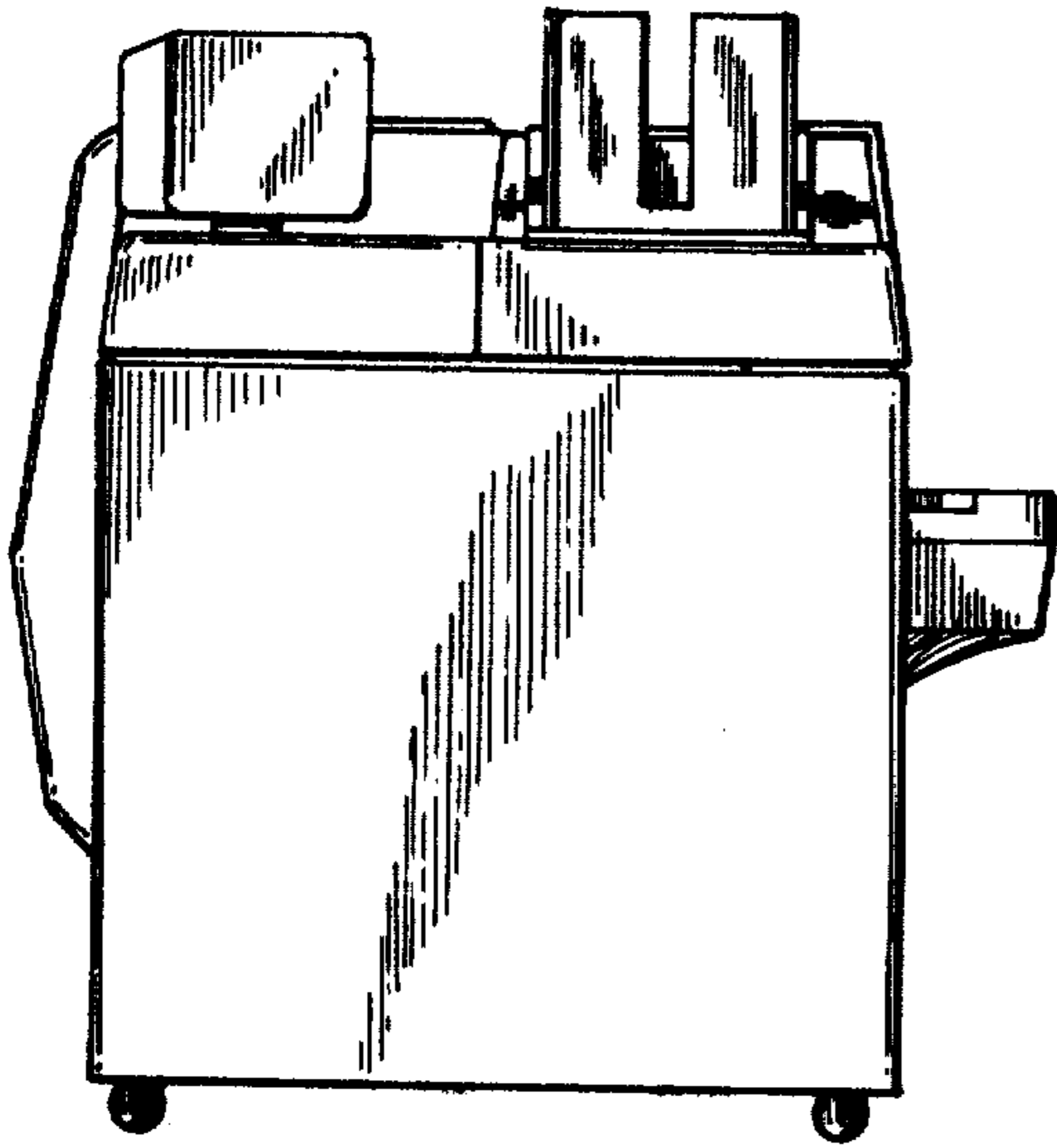


FIG-5

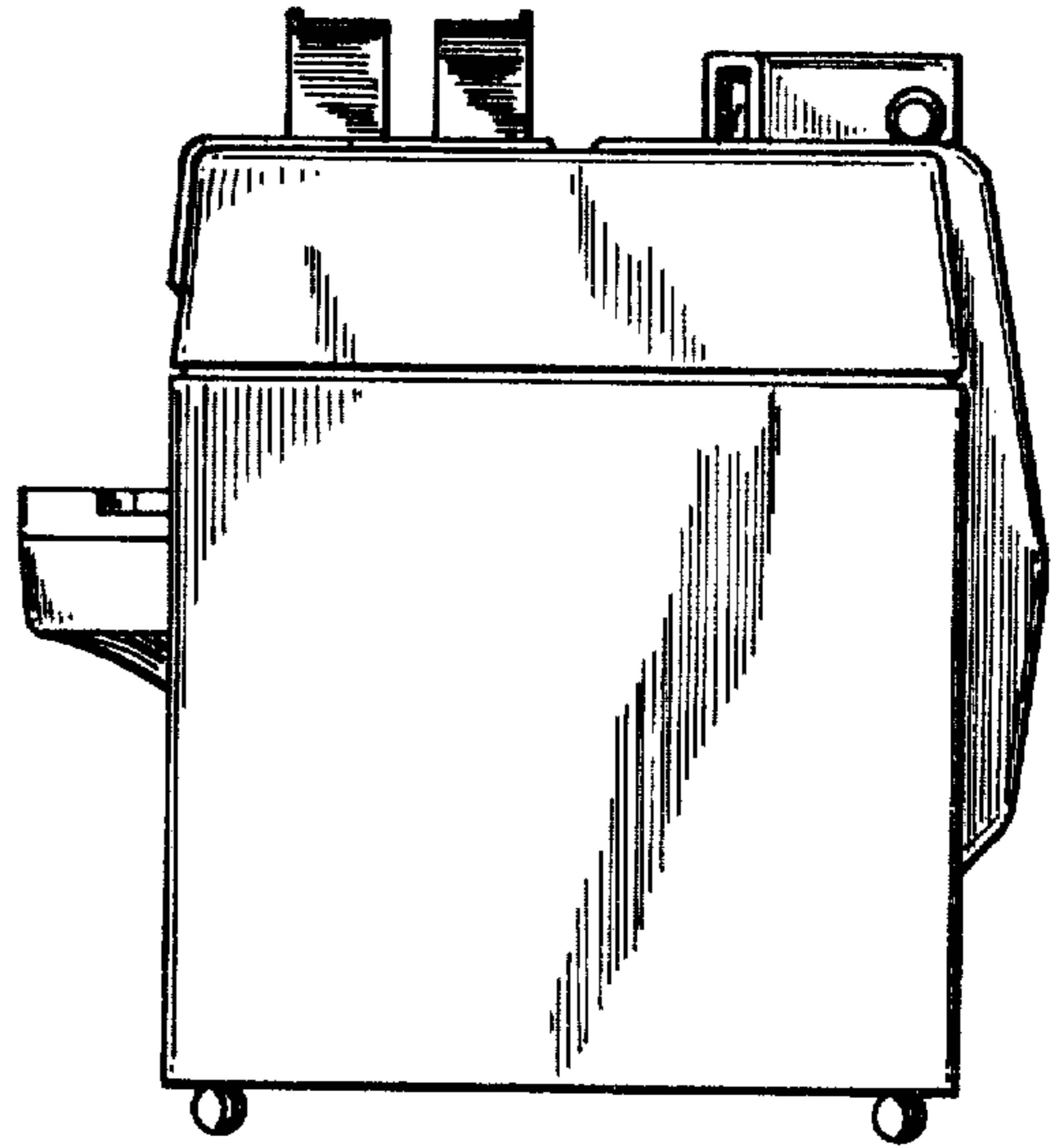


FIG-6

