

[54] TYPEWRITER FOR EUROPEAN LANGUAGES

[75] Inventors: Taro Kasagi, Tokyo; Kenji Tamada, Kodaira, both of Japan

[73] Assignee: Silver Seiko Limited, Japan

[**] Term: 14 Years

[21] Appl. No.: 355,871

[22] Filed: Mar. 8, 1982

[30] Foreign Application Priority Data

Jan. 20, 1982 [JP]	Japan	57-1831
[52] U.S. Cl.		D18/1
[58] Field of Search		D18/1, 2, 12, 22; D14/100, 115; 400/109, 689-693

[56] References Cited
U.S. PATENT DOCUMENTS

D. 158,481	5/1950	Lugar	D18/1 X
D. 159,977	9/1950	Gordenier	D18/1 X
D. 237,109	10/1975	Genaro et al.	D18/1 X
D. 258,957	4/1981	Bevilacqua et al.	D14/115

Primary Examiner—Louis S. Zarfaz
Attorney, Agent, or Firm—McGlew and Tuttle

[57] CLAIM

The ornamental design for typewriter for European languages, substantially as shown and described.

DESCRIPTION

FIG. 1 is a rear side elevation of typewriter for European languages showing our new design; FIG. 2 is a top plan view of the same; FIG. 3 is a front side elevation of the same; FIG. 4 is a bottom plan view of the same; FIG. 5 is a left side elevation of the same; FIG. 6 is a right side elevation of the same; FIG. 7 is a perspective view of the same in use; and FIG. 8 is a perspective view of the same not in use.

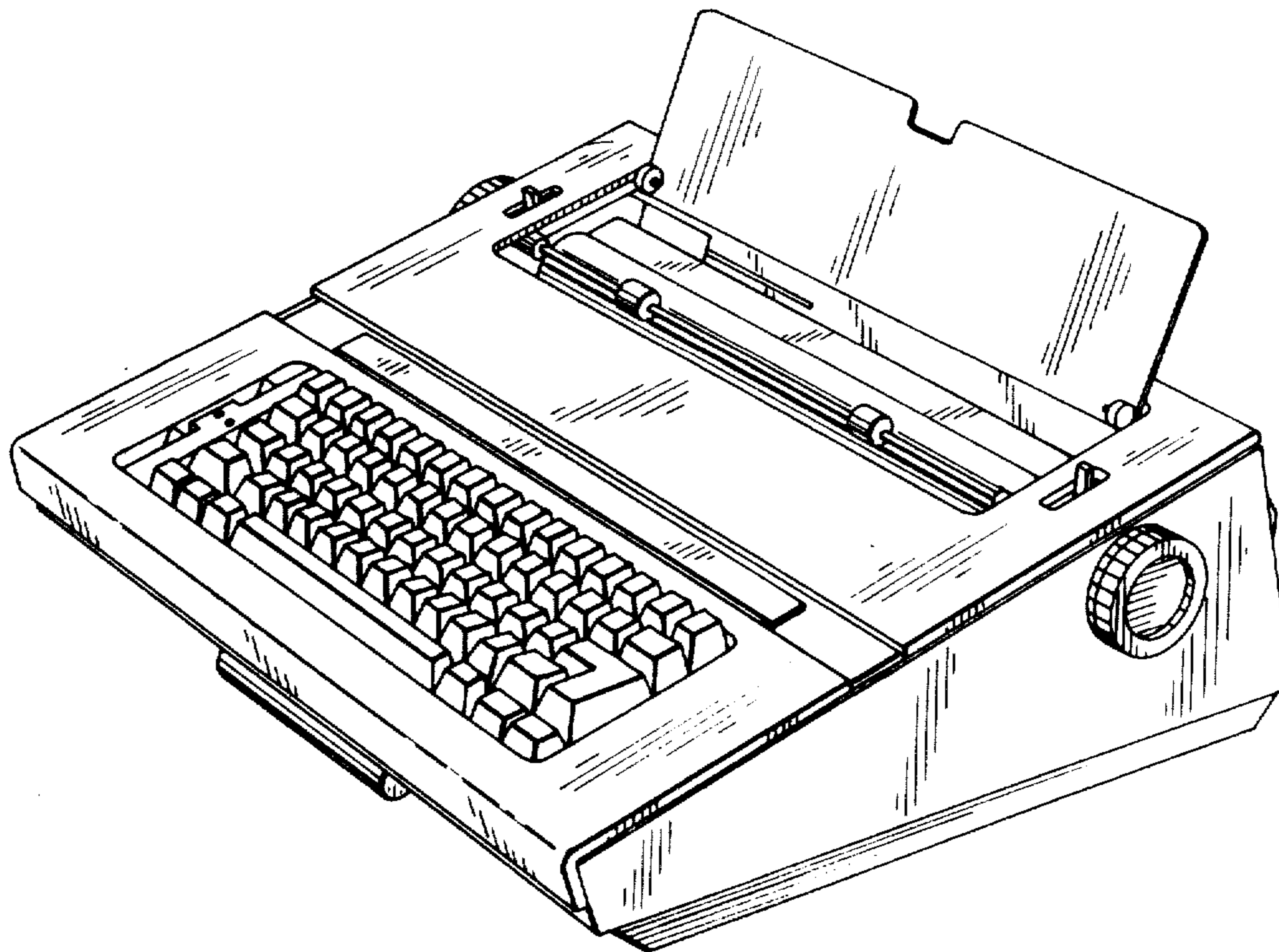


FIG. 1

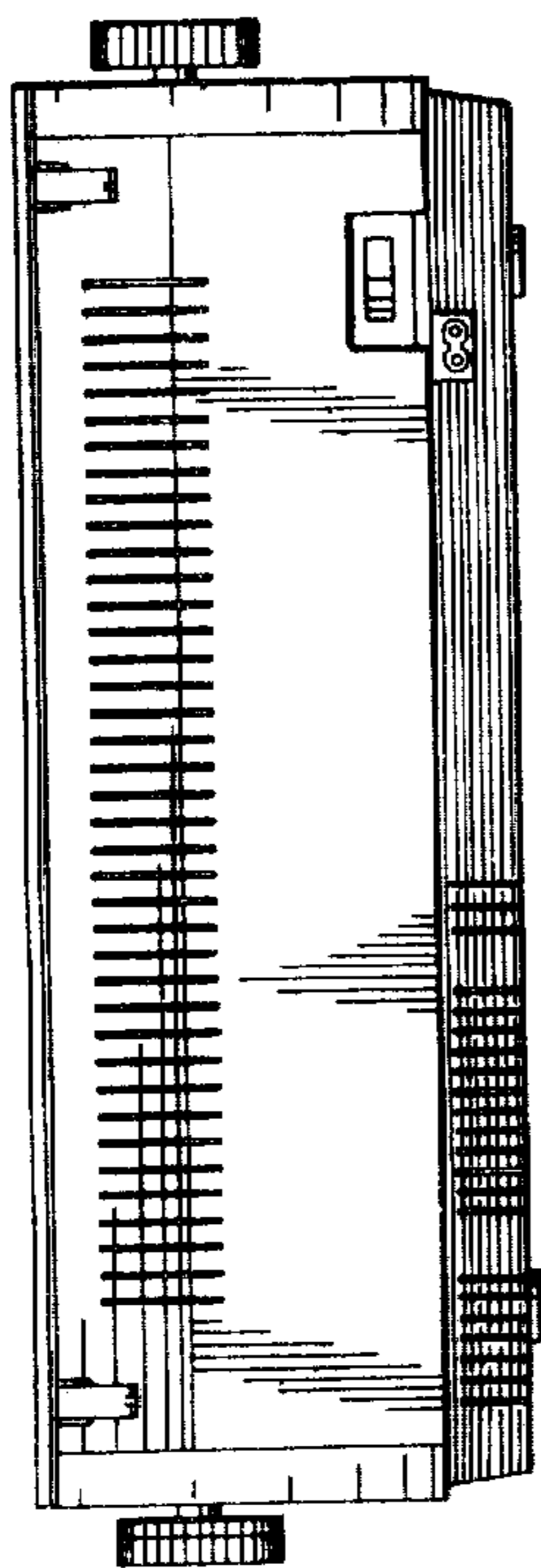


FIG. 3

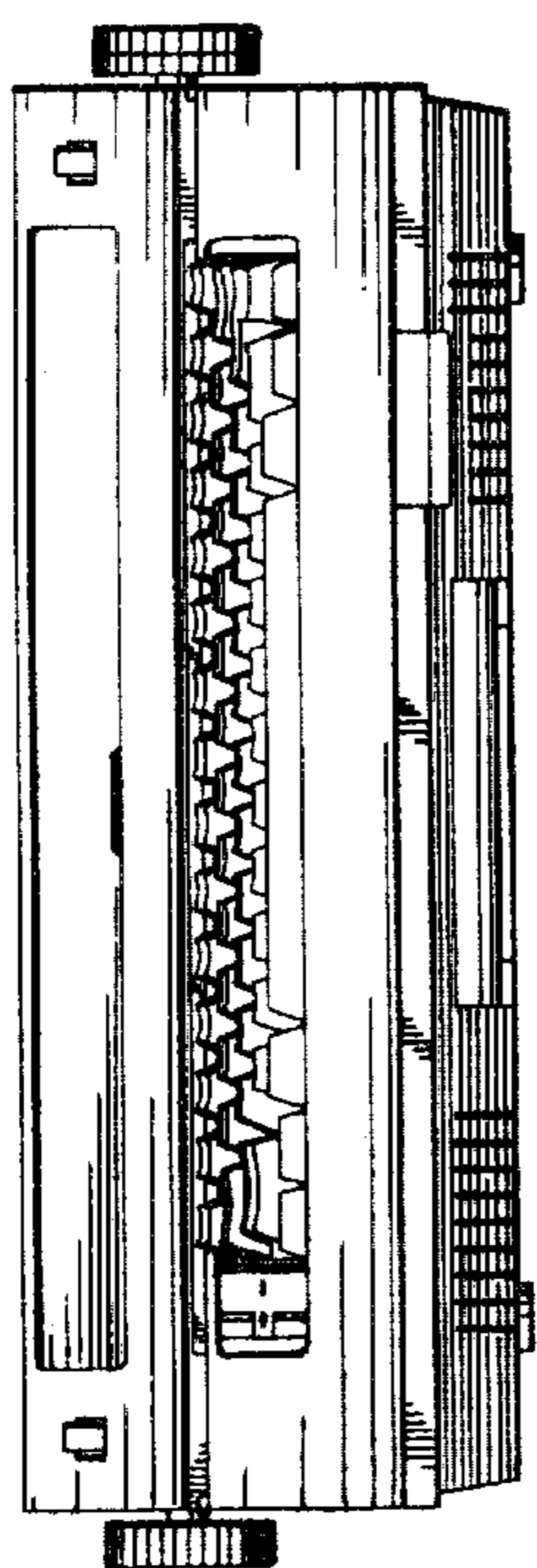


FIG. 2

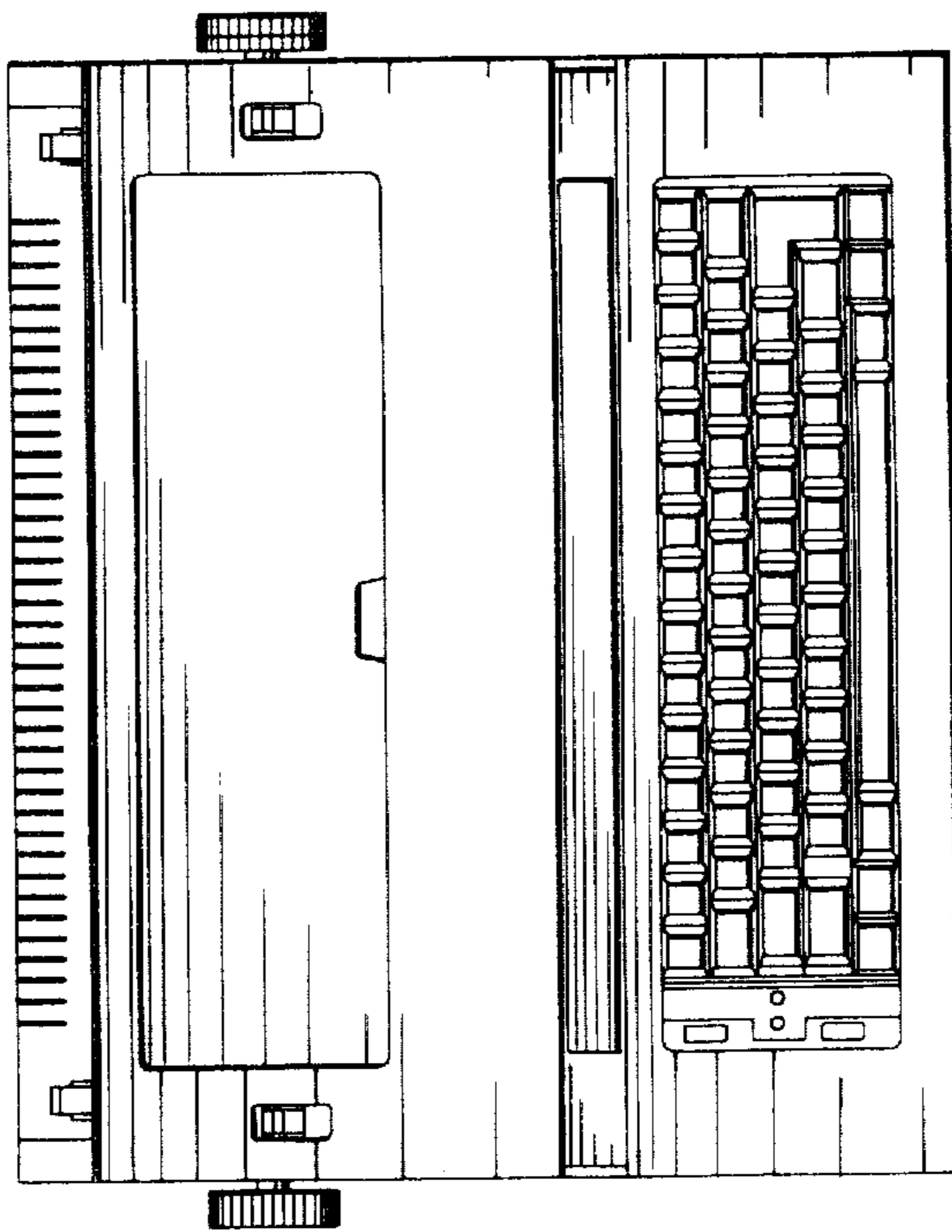
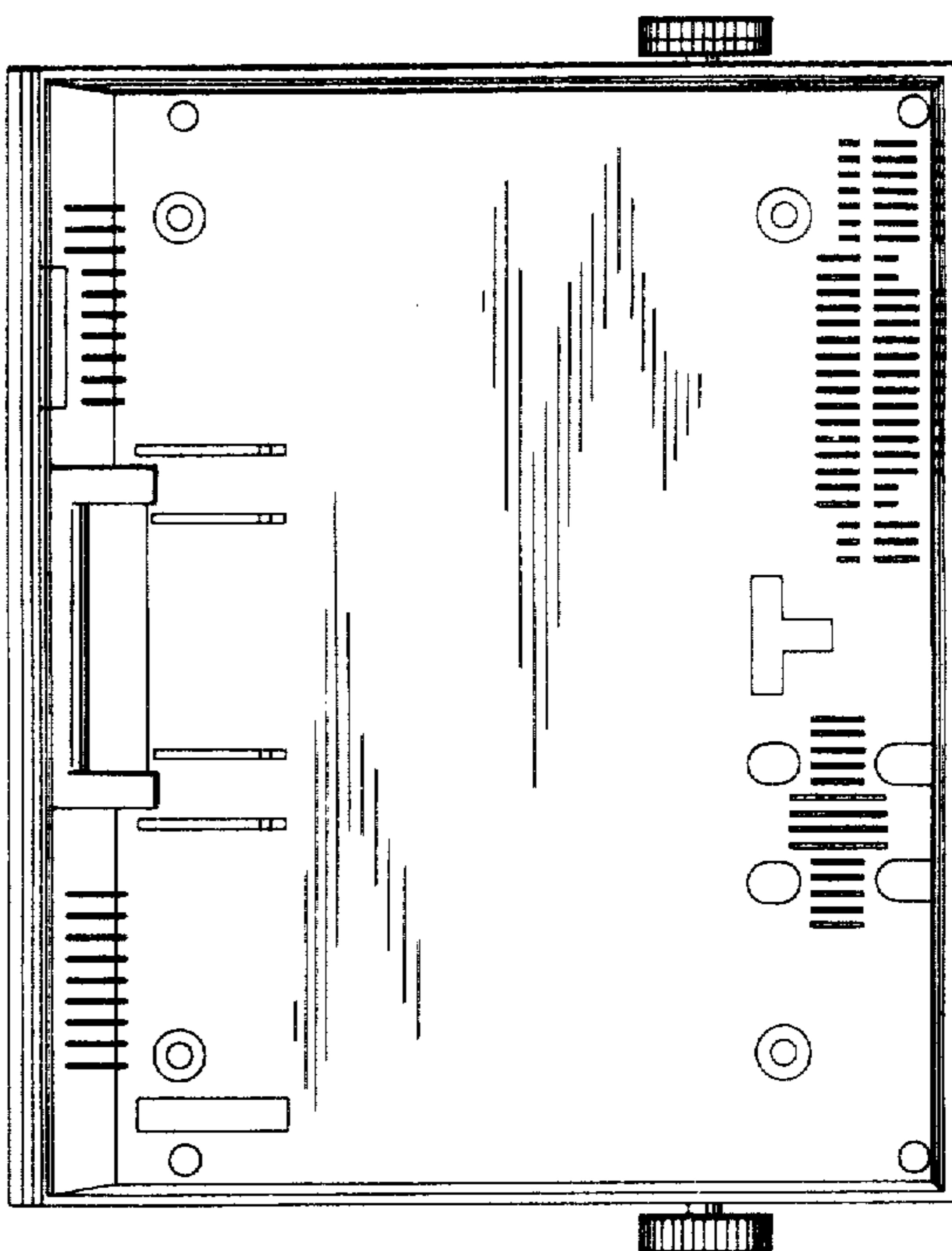


FIG. 4



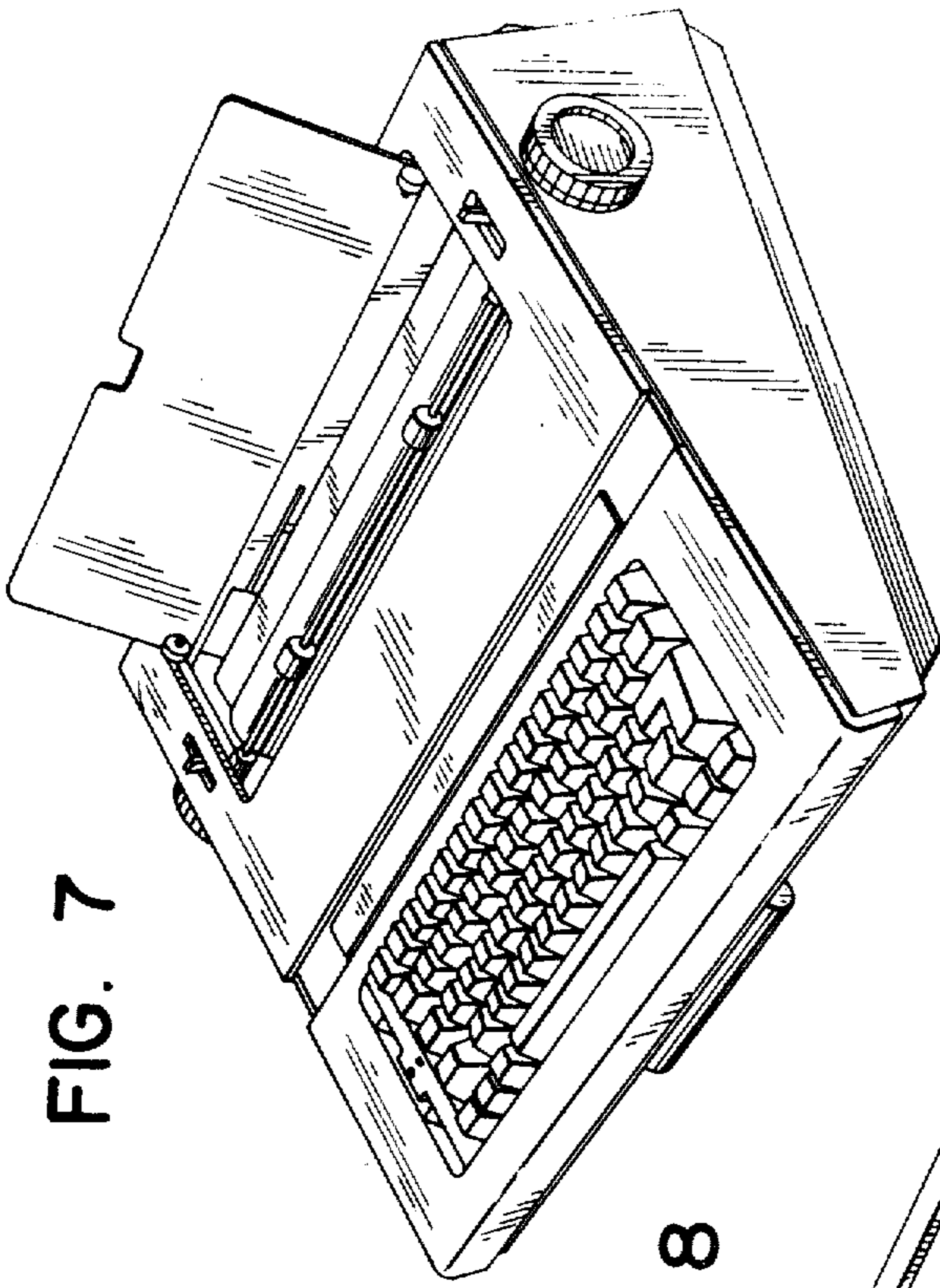


FIG. 7

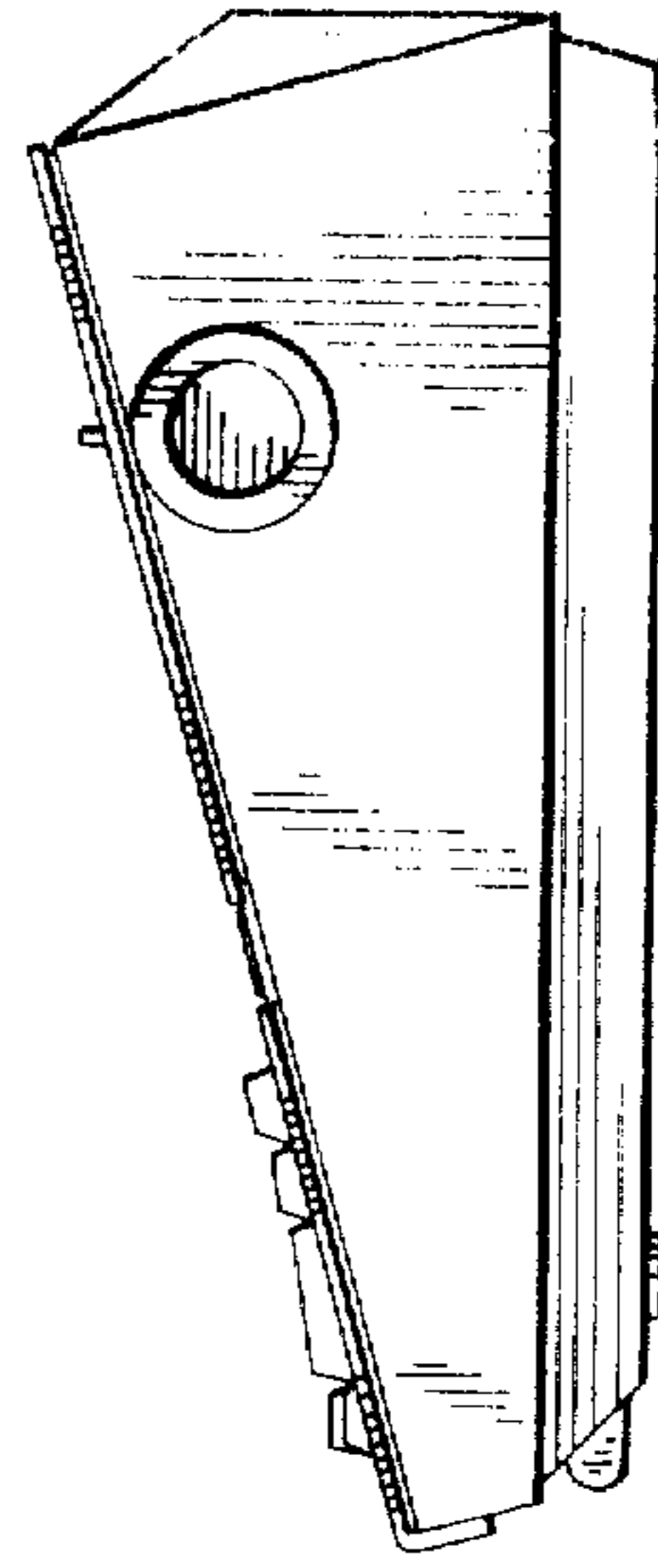


FIG. 6

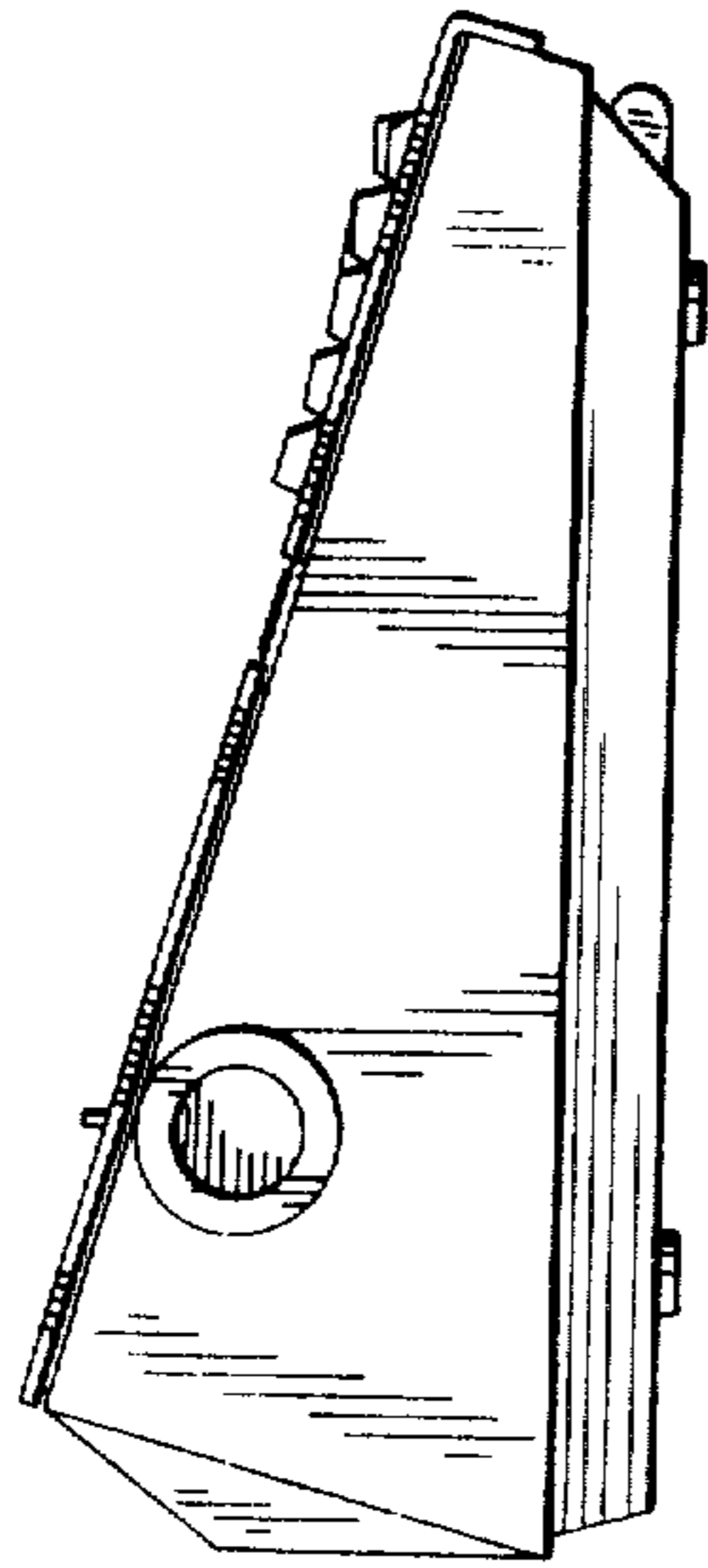


FIG. 5

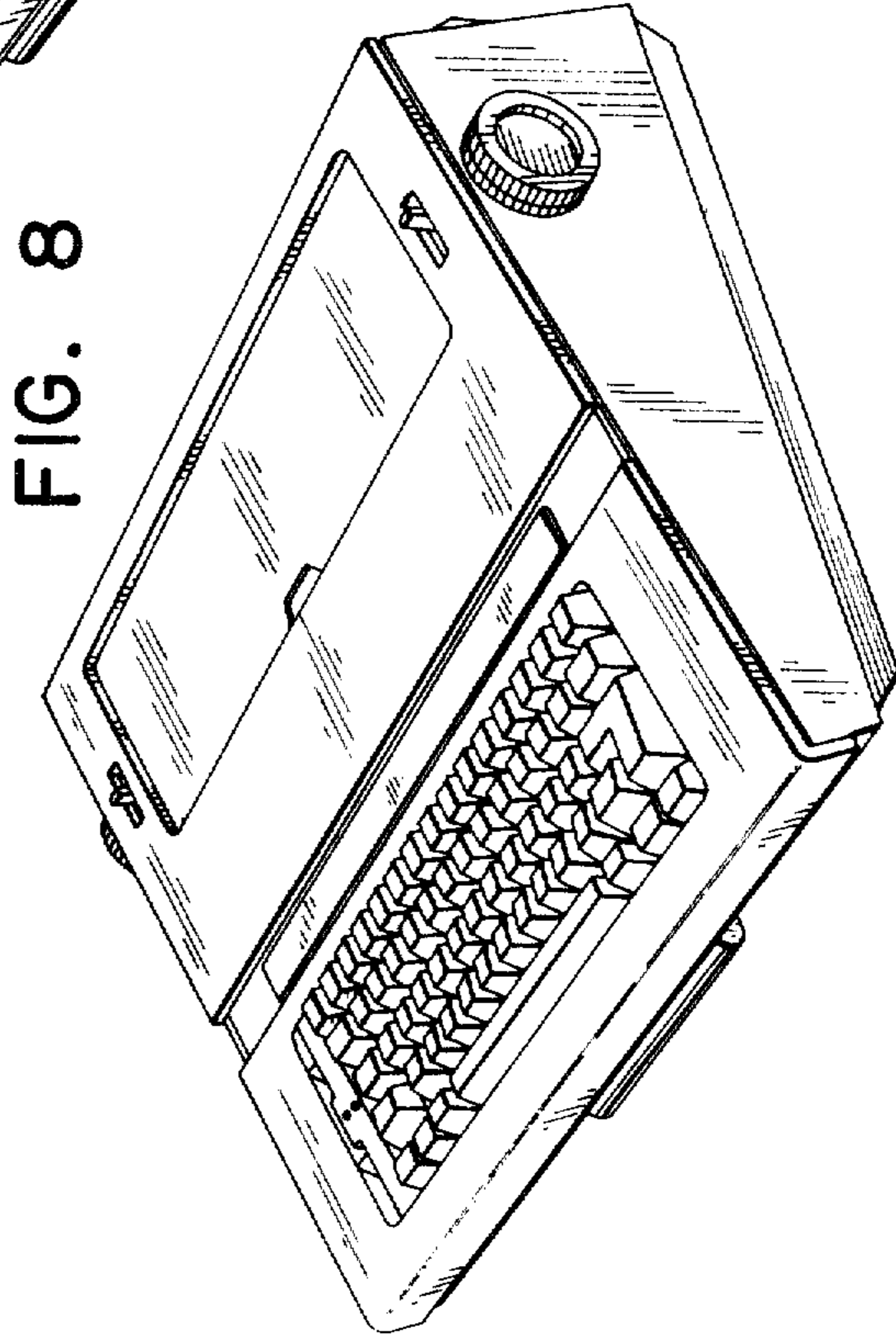


FIG. 8