

[54] VARIABLE SPEED BELT DRIVE

[75] Inventors: Robert O. Huff, Piedmont, S.C.; Edward F. Krome, Jr.; Gebus Barnsfather, both of Columbus, Ind.

[73] Assignee: Reliance Electric Company, Columbus, Ind.

[**] Term: 14 Years

[21] Appl. No.: 307,010

[22] Filed: Sep. 30, 1981

[52] U.S. Cl. D15/148

[58] Field of Search D15/148; 474/18, 28, 474/29, 903

[56] References Cited

U.S. PATENT DOCUMENTS

2,877,528	3/1959	Long	474/28
3,698,256	10/1972	Albertson	474/28
3,715,928	2/1973	Case et al.	474/29
3,731,549	5/1973	Kaiser et al.	474/18
4,365,964	12/1982	Krome, Jr.	474/28

FOREIGN PATENT DOCUMENTS

1154679	9/1963	Fed. Rep. of Germany
3383	of 1912	United Kingdom
772340	4/1957	United Kingdom
804708	11/1958	United Kingdom
2004604A	4/1979	United Kingdom

Primary Examiner—B. J. Bullock
Attorney, Agent, or Firm—Marmaduke A. Hobbs

[57] CLAIM

The ornamental design for a variable speed belt drive, substantially as shown and described.

DESCRIPTION

FIG. 1 is a reduced perspective view of a variable speed belt drive embodying our new design; FIG. 2 is a reduced perspective view of the side opposite the side shown in FIG. 1; FIG. 3 is a top plan view; FIG. 4 is an elevational view of the side shown in FIG. 2; and FIG. 5 is an elevational view of the end seen in FIG. 1. A mounting structure for a motor for driving the variable speed belt drive is partially shown in broken lines in FIGS. 1, 2 and 3, and forms no part of the inventive design.

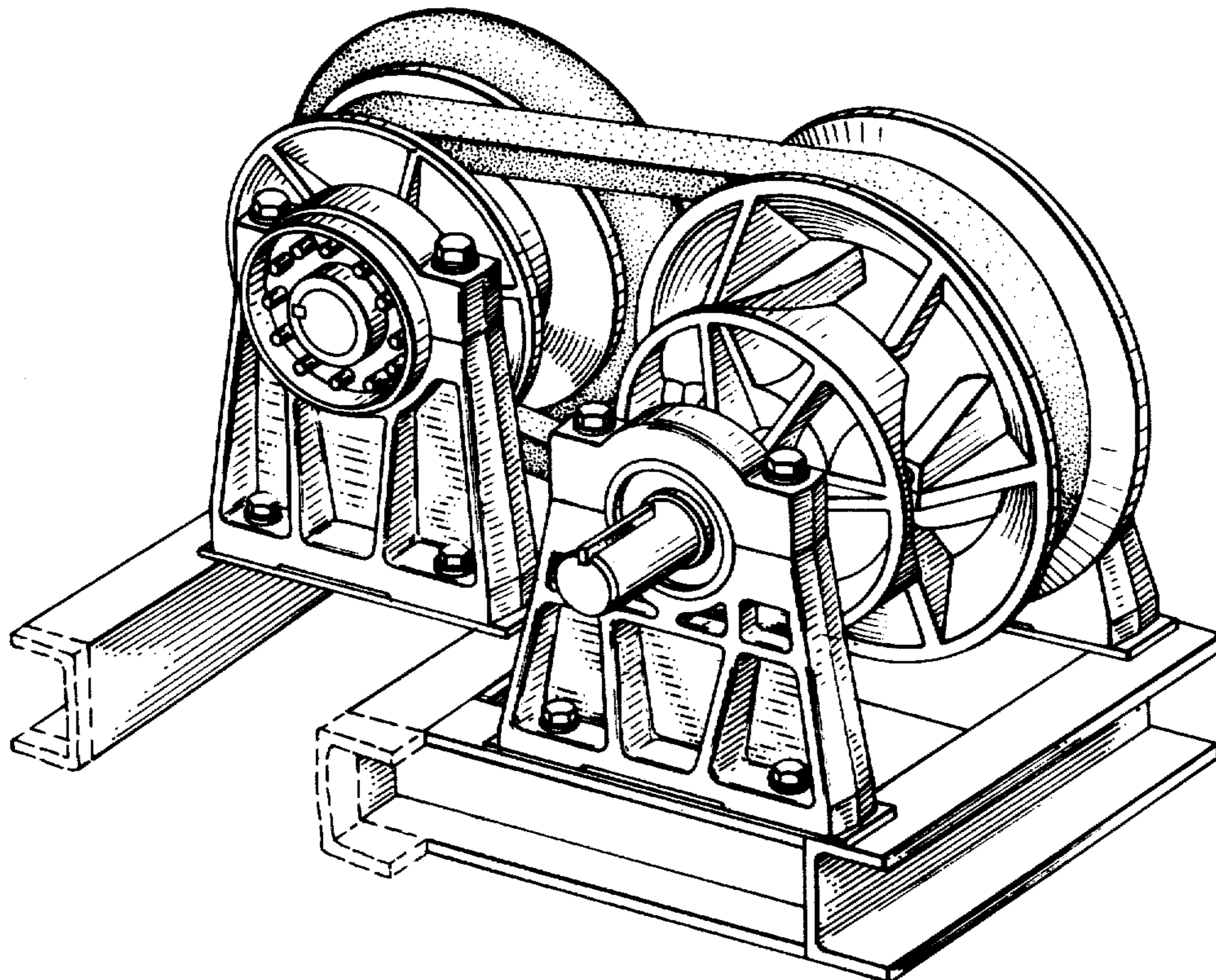


Fig. 1

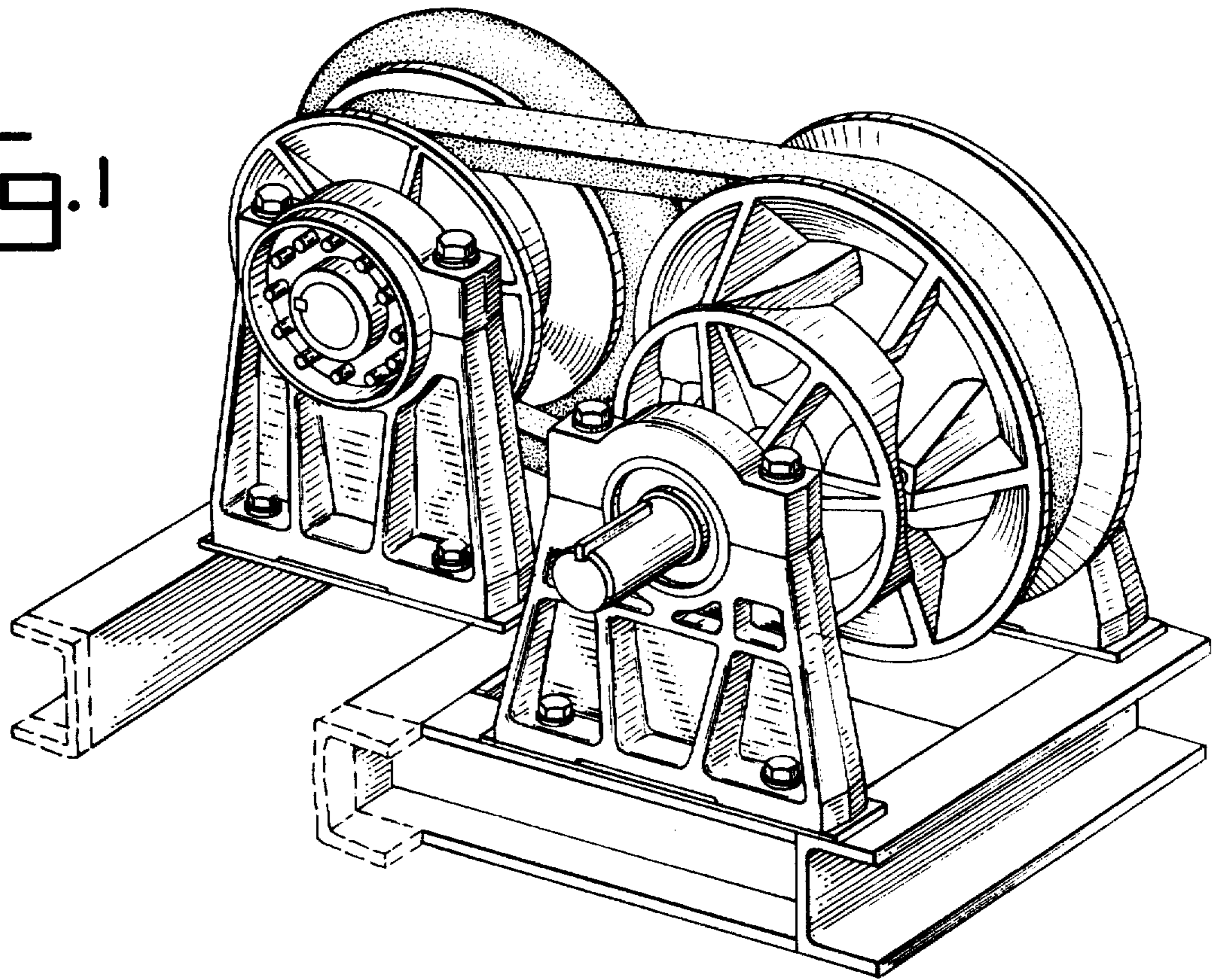


Fig. 2

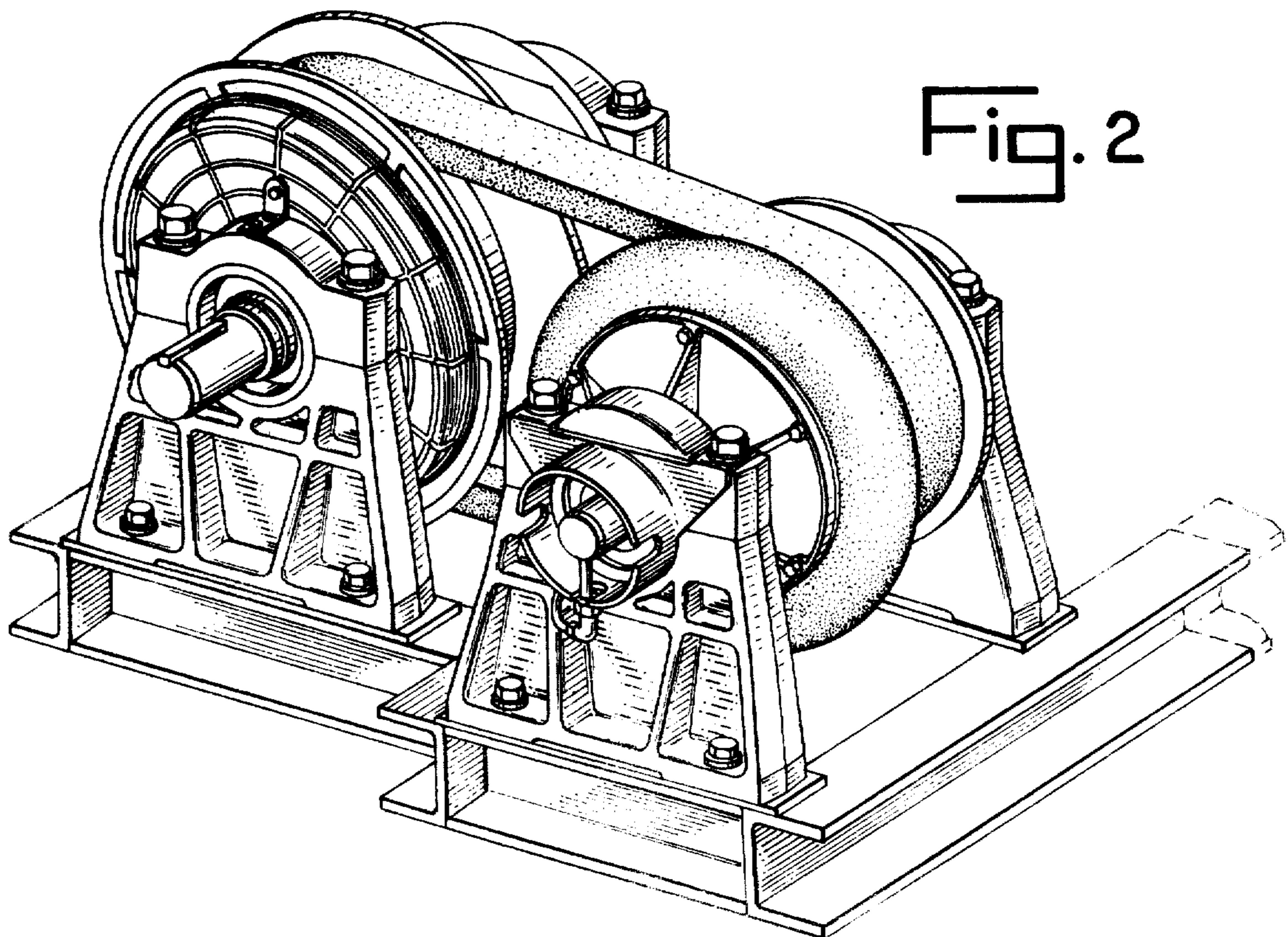


Fig. 3

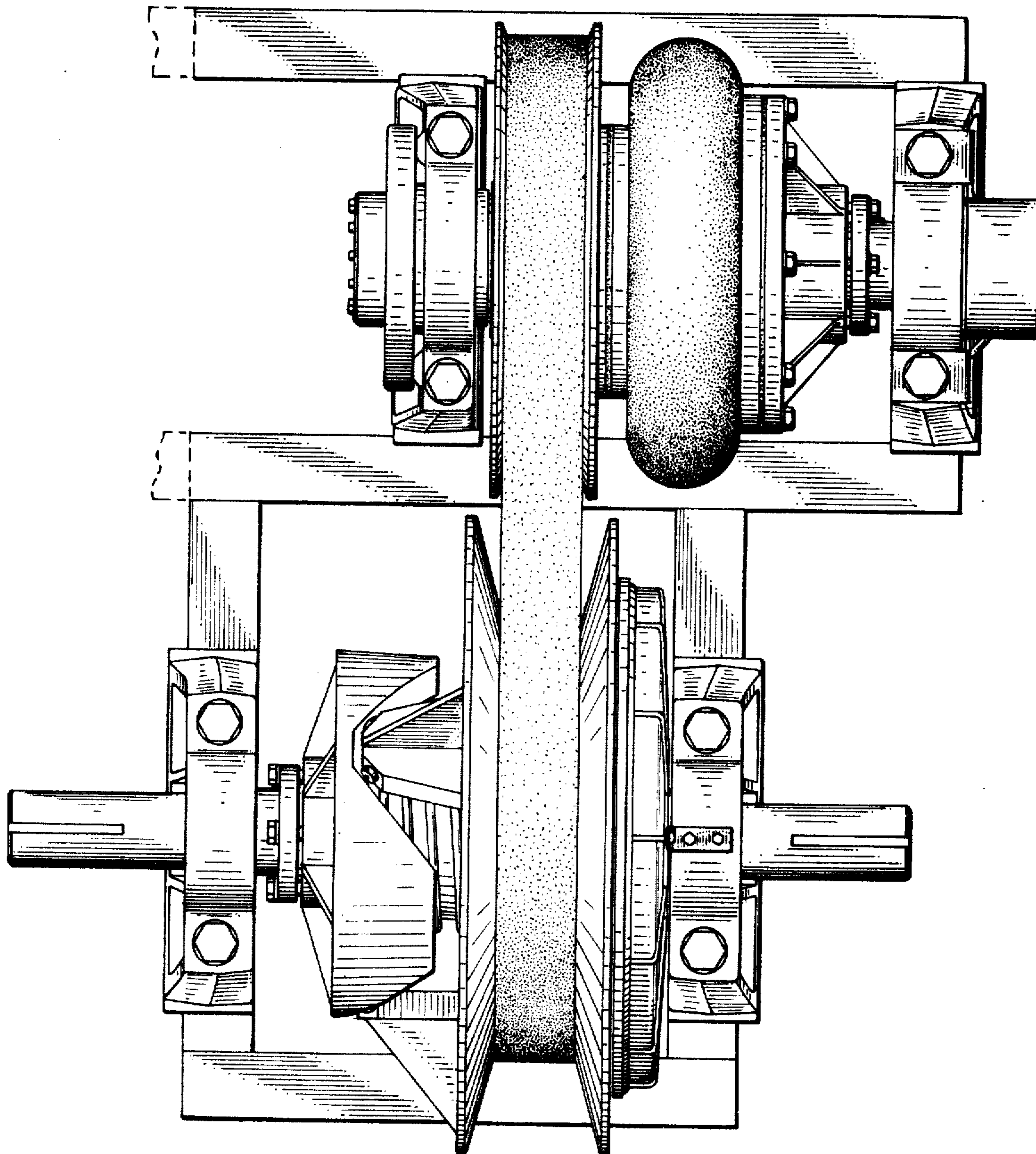


FIG. 4

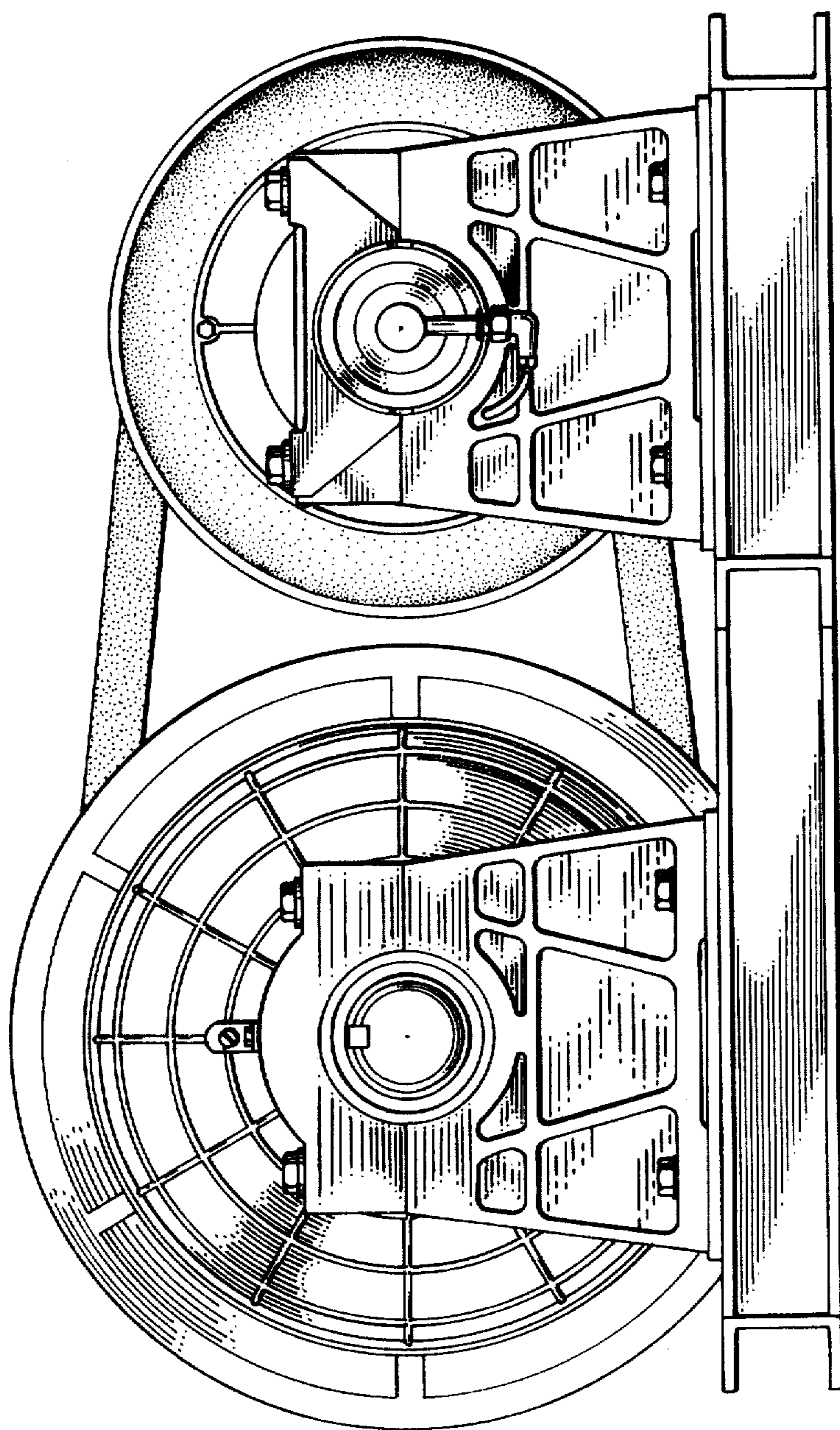


Fig. 5

