

[54] VARIABLE SPEED BELT DRIVE

4,116,080 9/1978 Berens 474/28
4,229,988 10/1980 Rattunde 474/28
4,365,964 12/1982 Krome, Jr. 474/28

[75] Inventors: Robert O. Huff; Edward F. Krome, Jr.; Gebus Barnsfather, all of Columbus, Ind.

FOREIGN PATENT DOCUMENTS

[73] Assignee: Reliance Electric Company, Columbus, Ind.

1154679 9/1963 Fed. Rep. of Germany .
3383 of 1912 United Kingdom .
772340 4/1957 United Kingdom .
804708 11/1958 United Kingdom .

[**] Term: 14 Years

Primary Examiner—B. J. Bullock
Attorney, Agent, or Firm—Marmaduke A. Hobbs

[21] Appl. No.: 263,303

[22] Filed: May 13, 1981

[52] U.S. Cl. D15/148

[58] Field of Search D15/148; 474/18, 28, 474/29, 903

[57] CLAIM

The ornamental design for a variable speed belt drive, substantially as shown.

[56] References Cited

U.S. PATENT DOCUMENTS

2,877,528 3/1959 Long 474/28
3,698,256 10/1972 Albertson 474/28
3,715,928 2/1973 Case et al. 474/29
3,731,549 5/1973 Kaiser et al. 474/18
3,893,343 7/1975 Zaiser et al. 474/18

DESCRIPTION

FIG. 1 is a perspective view of a variable speed belt drive, embodying our new design; FIG. 2 is a top plan view thereof; FIG. 3 is an elevational view of the side opposite the side shown in FIG. 1; and FIG. 4 is an elevational view of the end opposite the end shown in FIG. 1.

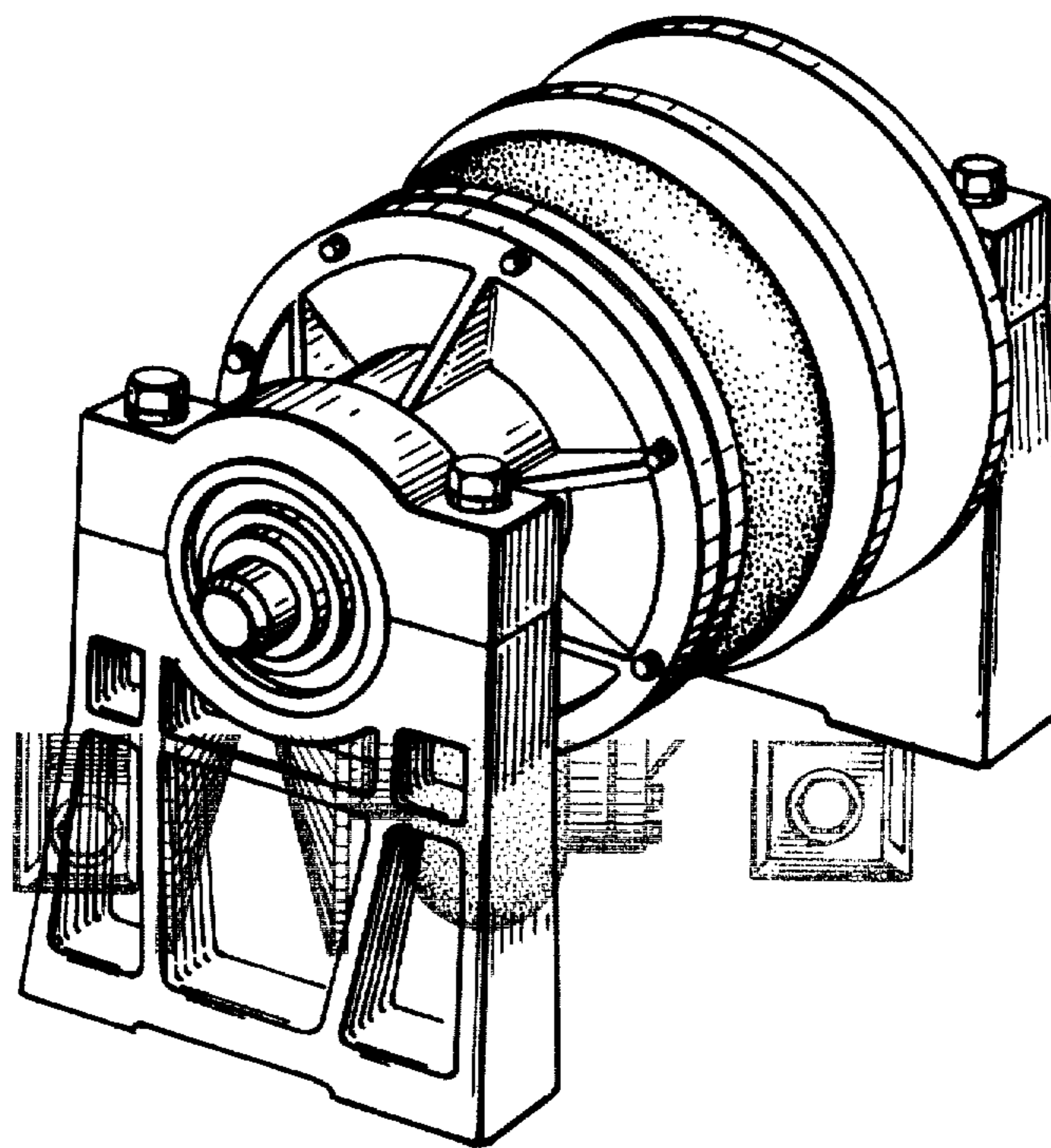


Fig. 1

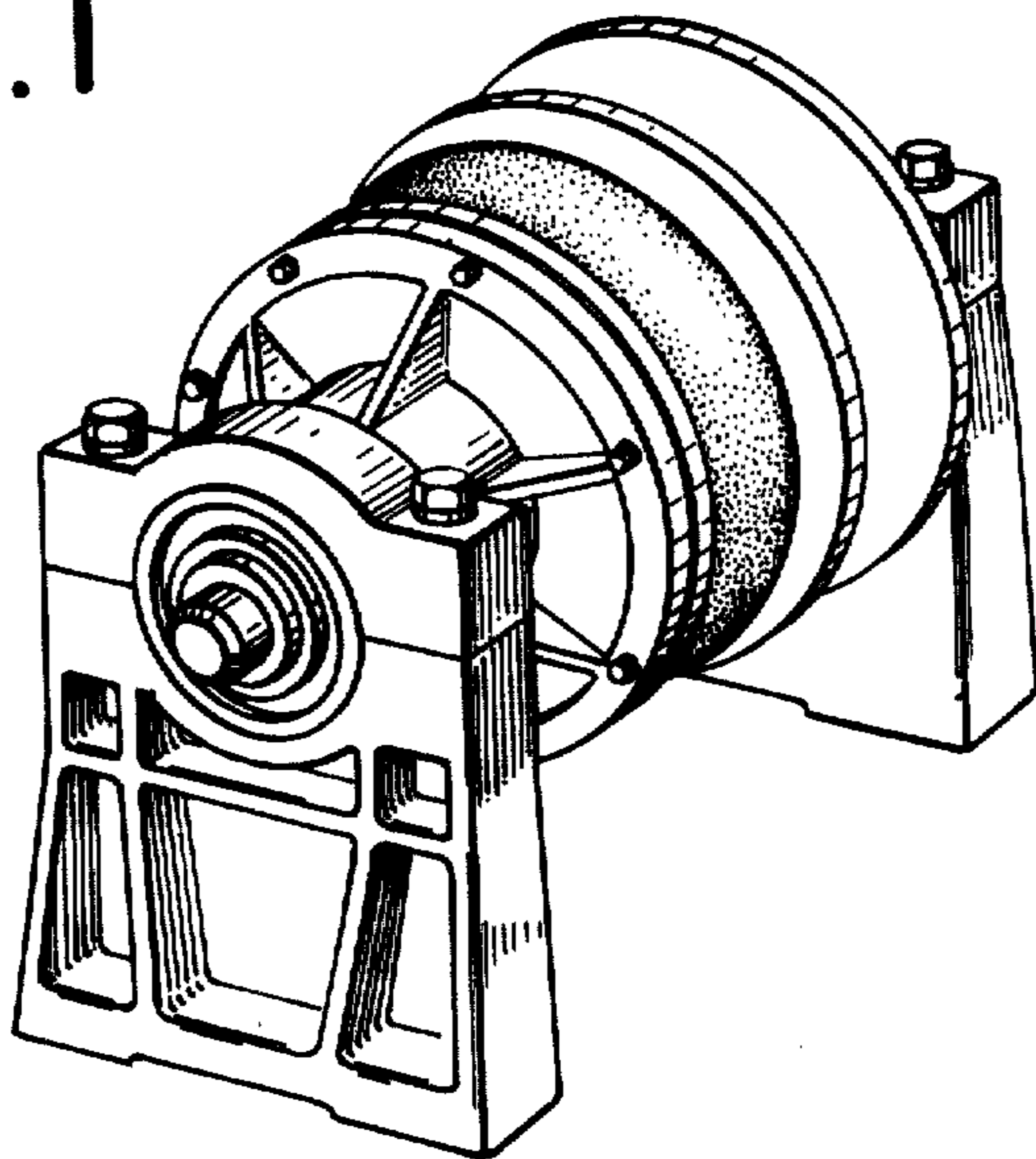


Fig. 2

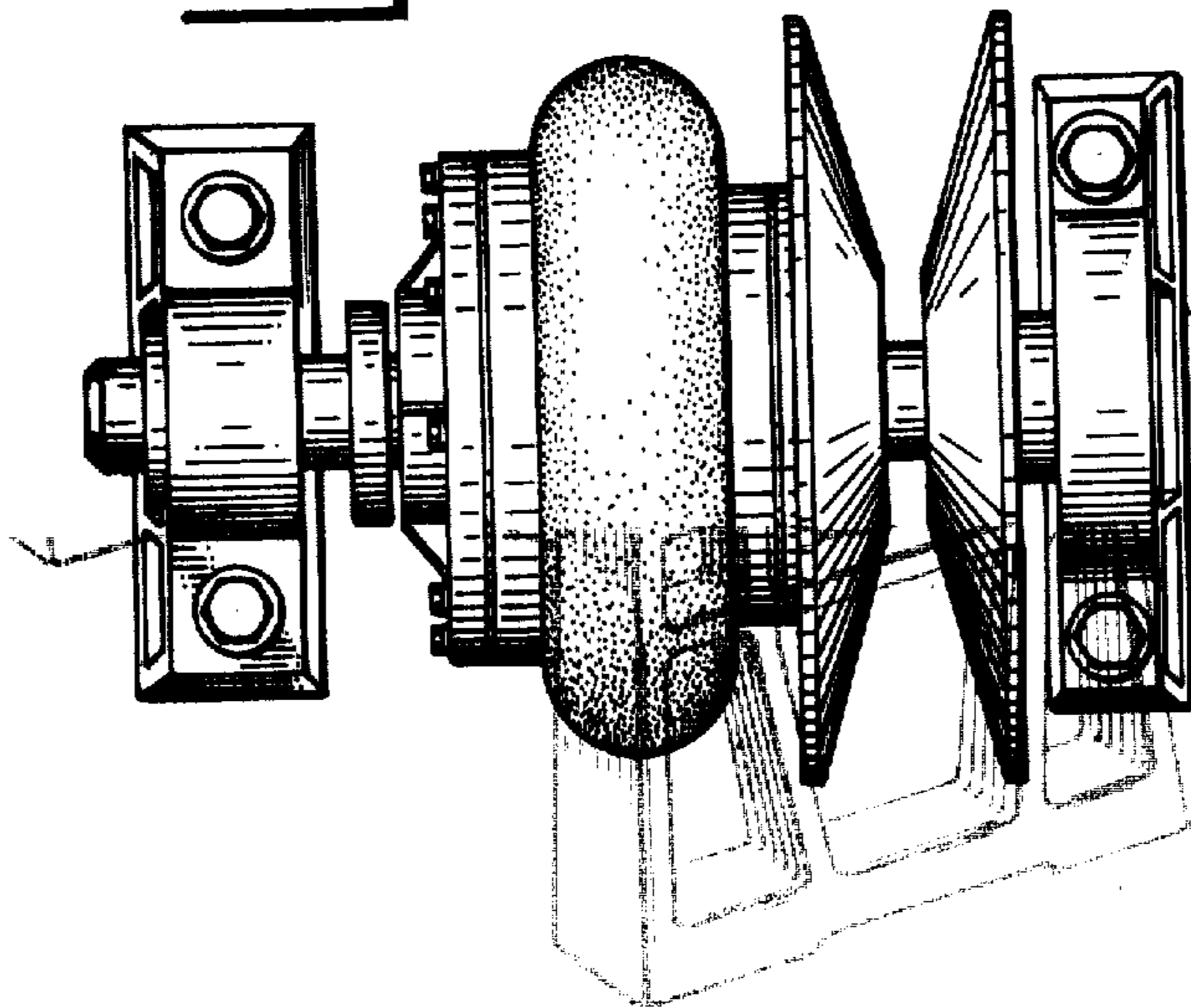


Fig. 3

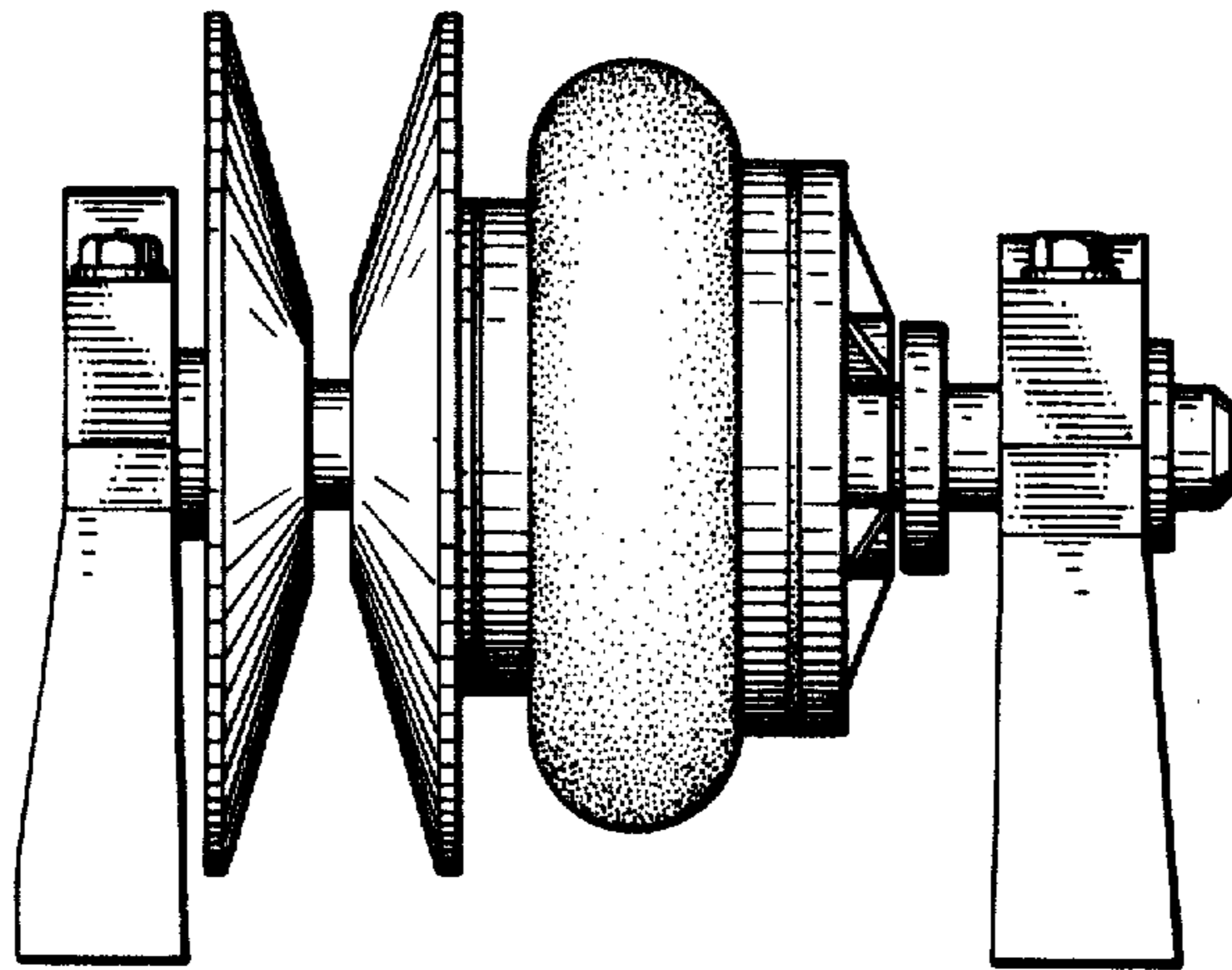


Fig. 4

