

[54] OPTICAL SCANNER HOUSING OR SIMILAR ARTICLE

[75] Inventor: Russell D. Knoll, Catlin, Ill.

[73] Assignee: HurletronAltair, Inc., Danville, Ill.

[\*\*] Term: 14 Years

[21] Appl. No.: 325,311

[22] Filed: Nov. 27, 1981

[52] U.S. Cl. .... D14/116

[58] Field of Search ..... D14/100-117; 235/454, 470, 471, 472, 473; 250/568, 566; 382/59, 65, 66, 67, 68, 69

[56] References Cited

U.S. PATENT DOCUMENTS

D. 249,510 9/1978 Wu et al. .... D14/116

D. 253,593 12/1979 Smith et al. .... D14/116  
3,886,371 5/1975 Lloyd ..... 382/65  
4,210,802 7/1980 Sakai ..... 235/472 X

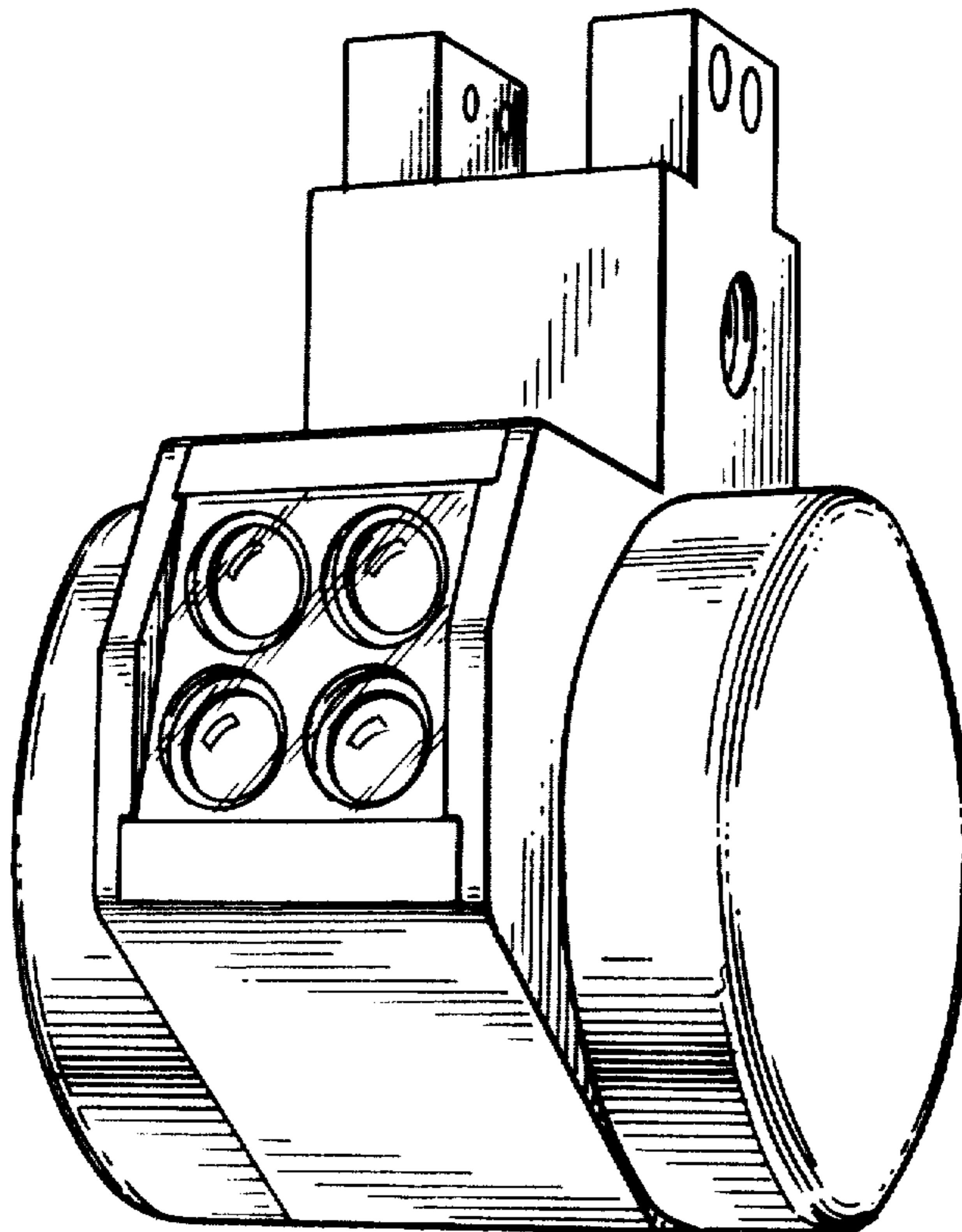
Primary Examiner—Susan J. Lucas  
Attorney, Agent, or Firm—Hill, Van Santen, Steadman & Simpson

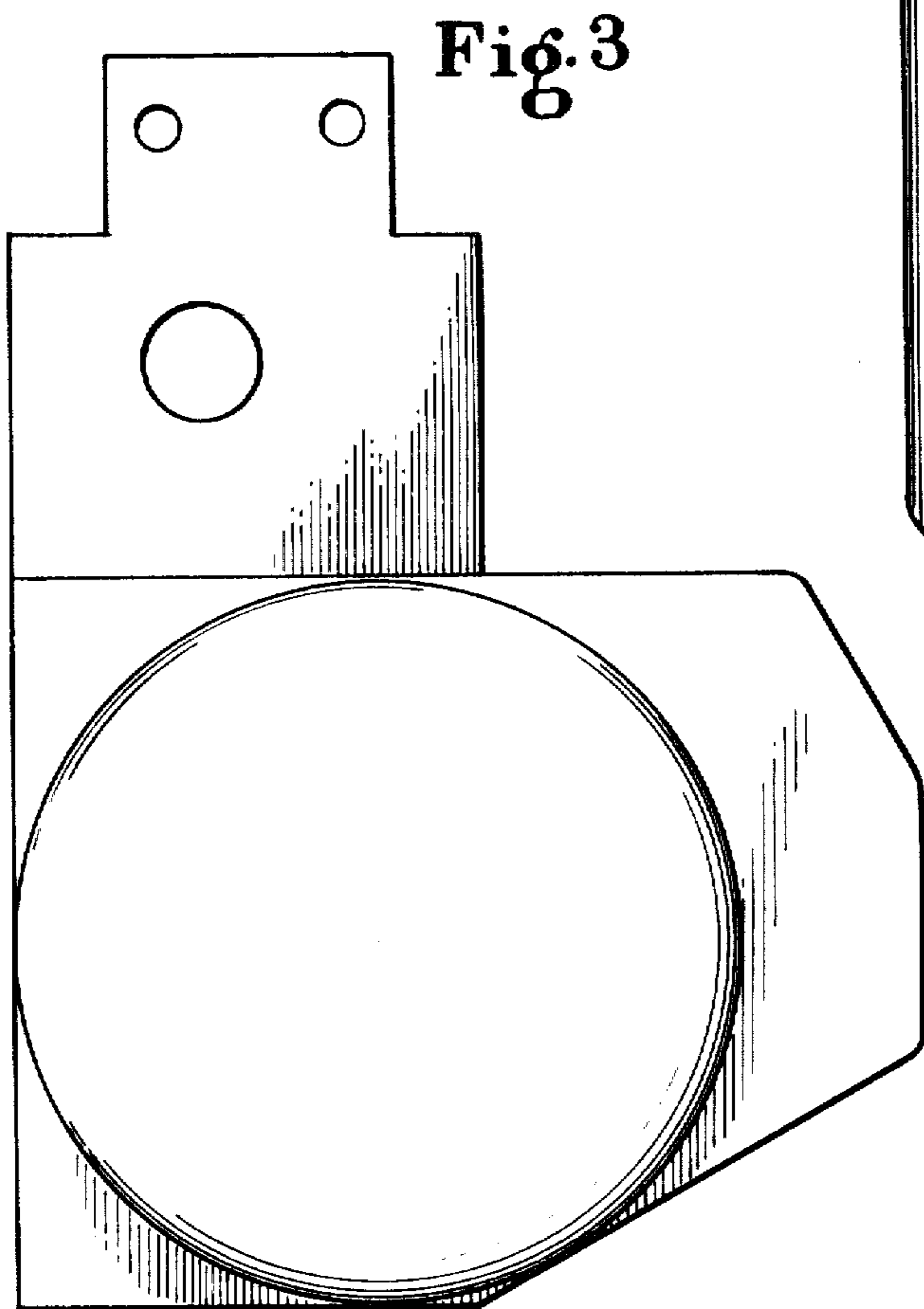
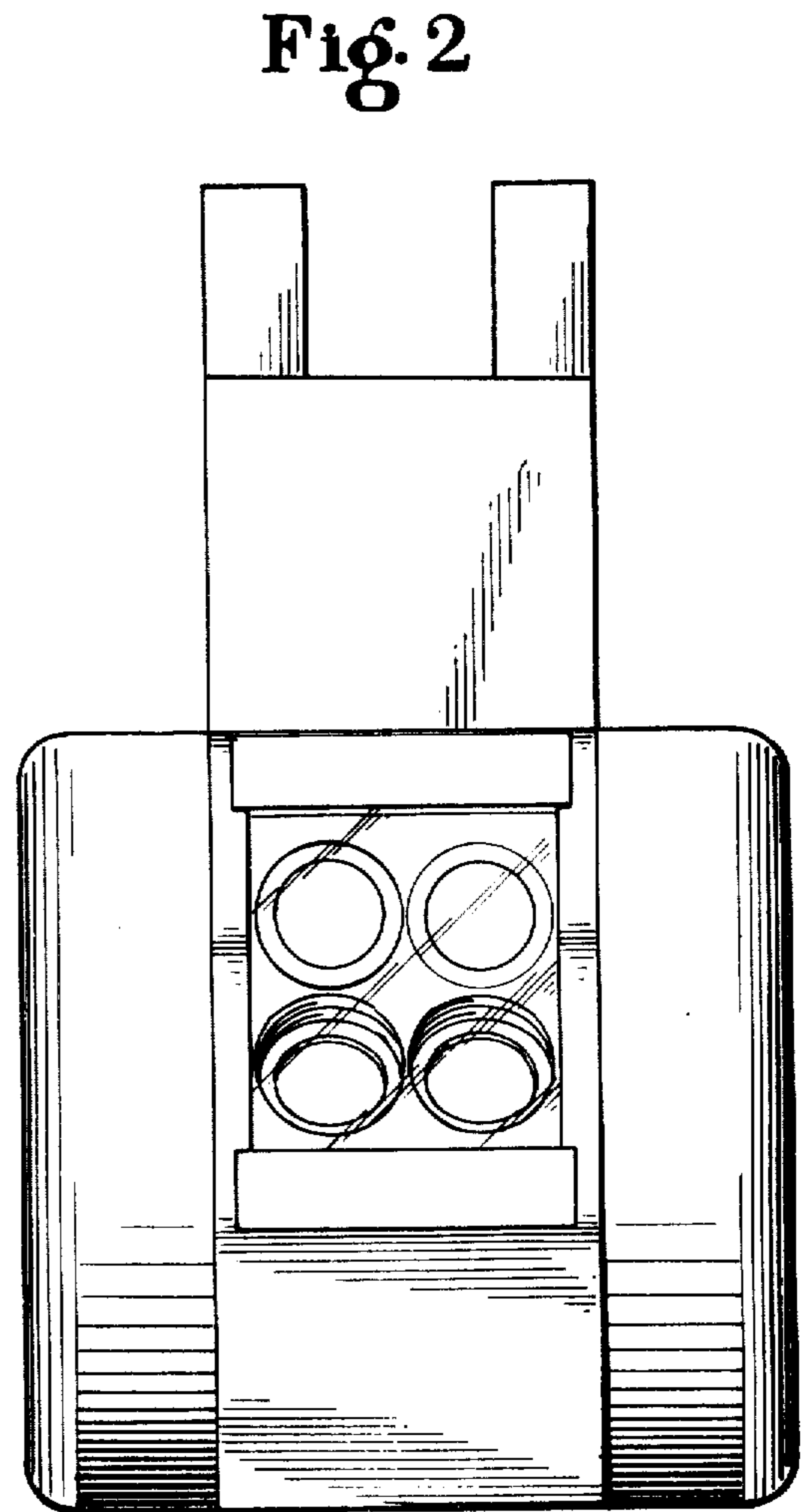
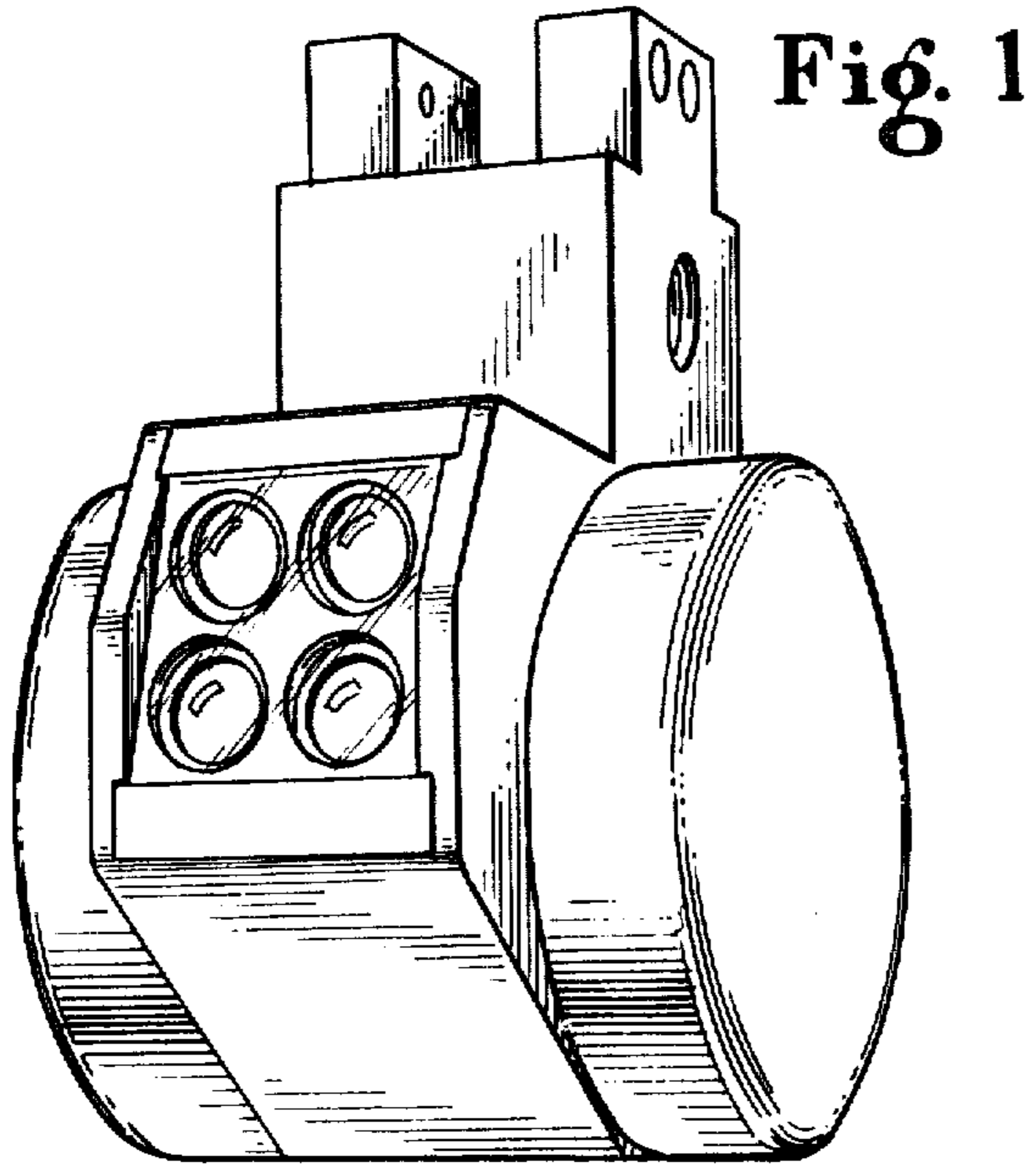
[57] CLAIM

The ornamental design for an optical scanner housing or similar article, as shown and described.

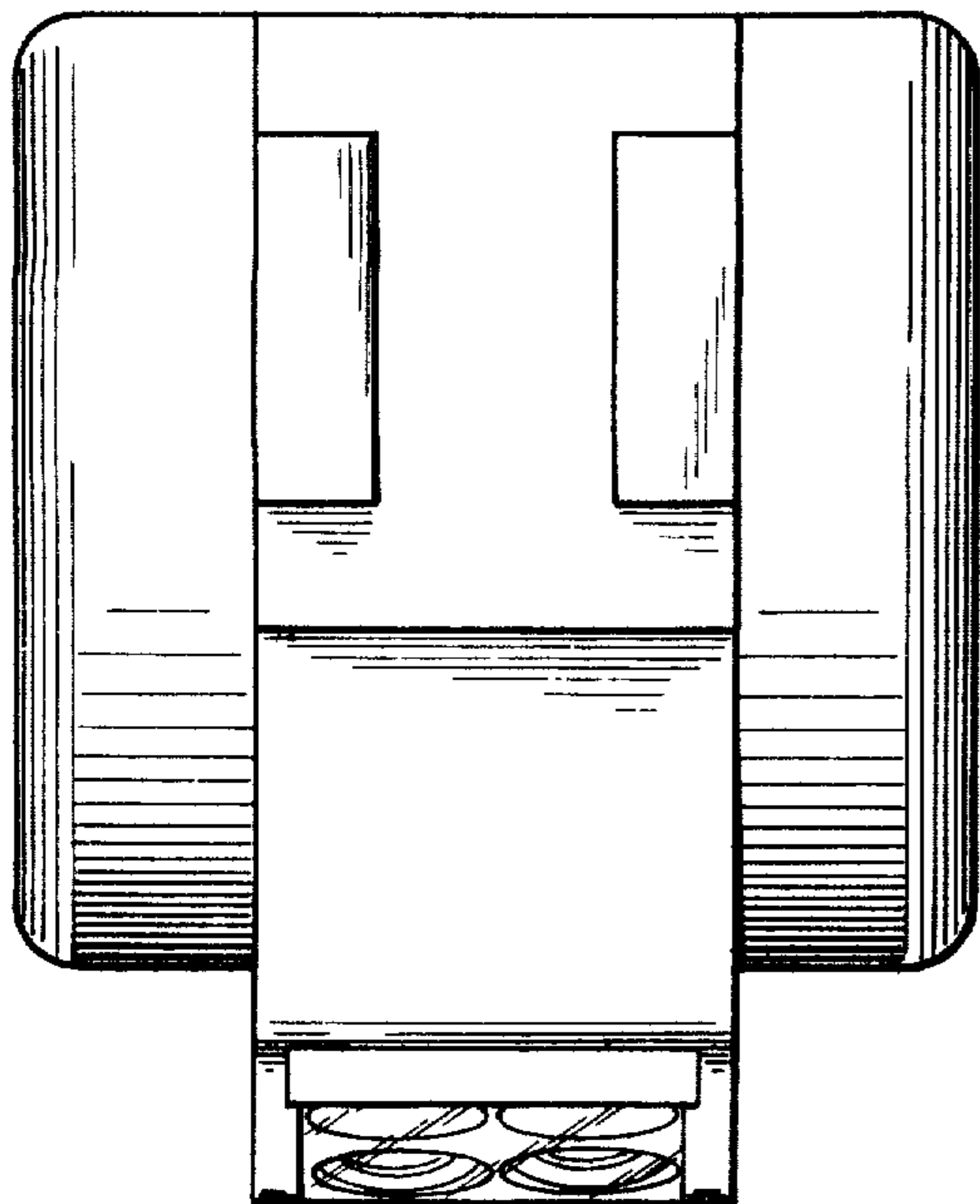
DESCRIPTION

FIG. 1 is a perspective view of an optical scanner housing or similar article showing my new design; FIG. 2 is a front elevational view thereof; FIG. 3 is a side elevational view thereof; FIG. 4 is a top plan view thereof; FIG. 5 is a rear elevational view thereof; FIG. 6 is a bottom view thereof.

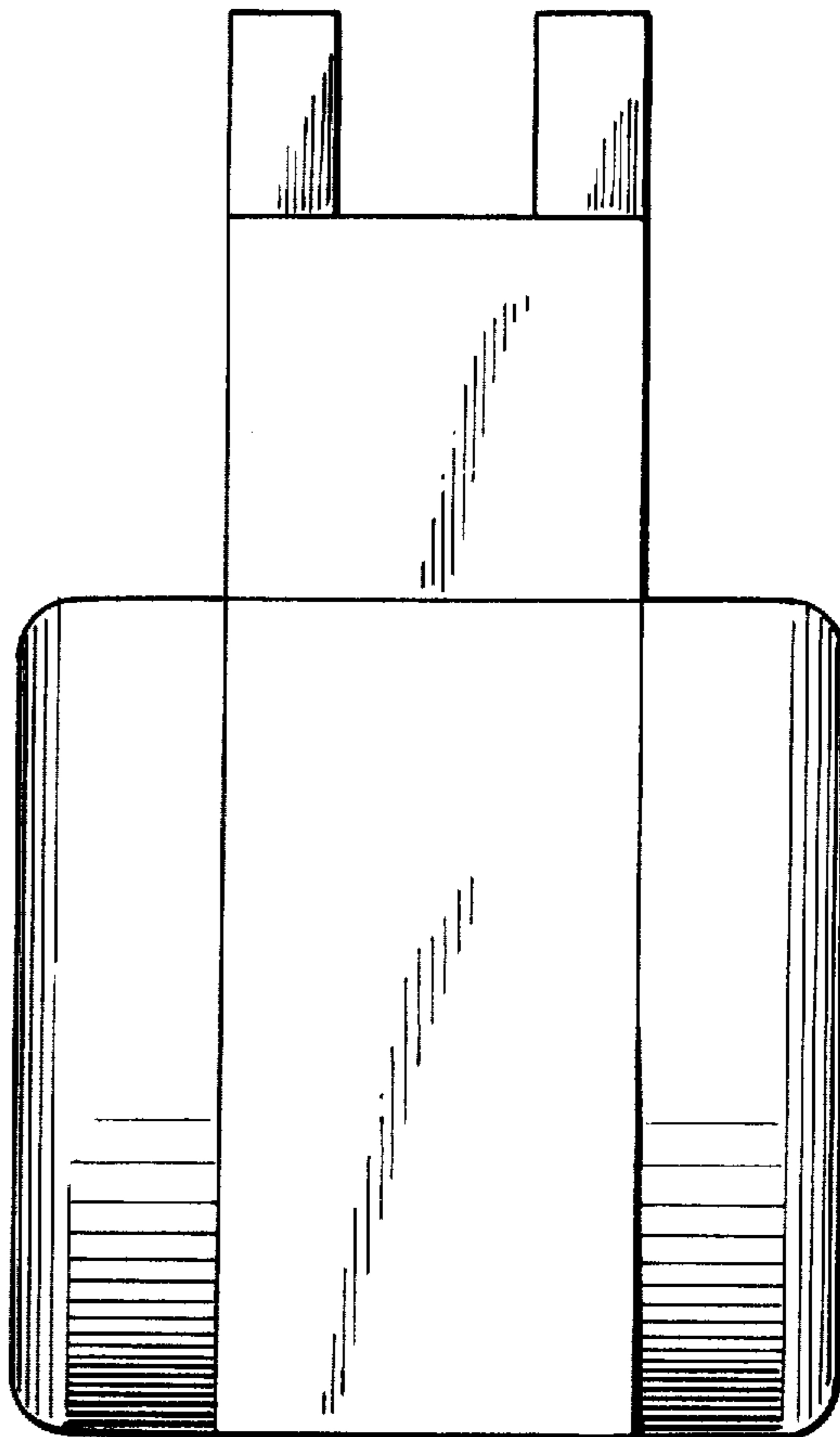




**Fig. 4**



**Fig. 5**



**Fig. 6**

