

[54] **DISPLAY CONSOLE**

[75] Inventors: **Joseph Sliwowski, Sudbury; Gilbert G. Fryklund, Winchester; Vance A. Parker, Framingham, all of Mass.**

[73] Assignee: **Telesis Corporation of Delaware, Inc., Wilmington, Del.**

[**] Term: **14 Years**

[21] Appl. No.: **170,103**

[22] Filed: **Jul. 18, 1980**

[52] U.S. Cl. **D14/103; D14/106**

[58] Field of Search **D14/100-117; 174/52 R; 361/331, 334, 380, 391, 392, 393; 364/900; 340/711**

[56] **References Cited**

U.S. PATENT DOCUMENTS

3,879,722 4/1975 Knowlton 340/365 R X

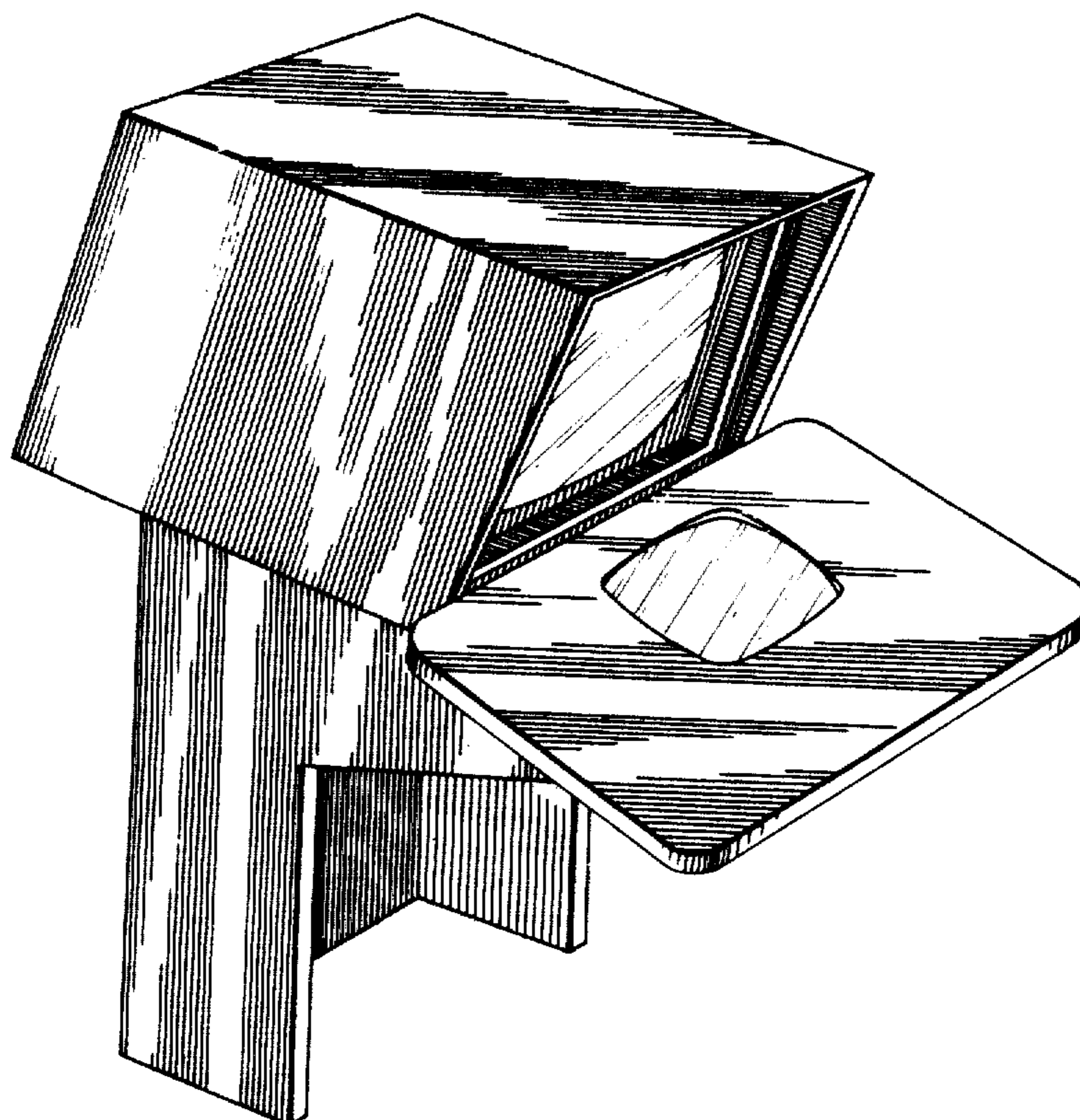
Primary Examiner—Susan J. Lucas
Attorney, Agent, or Firm—Weingarten, Schurgin, Gagnebin & Hayes

[57] **CLAIM**

The ornamental design for a display console, as shown.

DESCRIPTION

FIG. 1 is a perspective view of a dual screen interactive graphics terminal showing our new design; FIG. 2 is a side view thereof; FIG. 3 is a top view thereof; and FIG. 4 is a back view thereof.



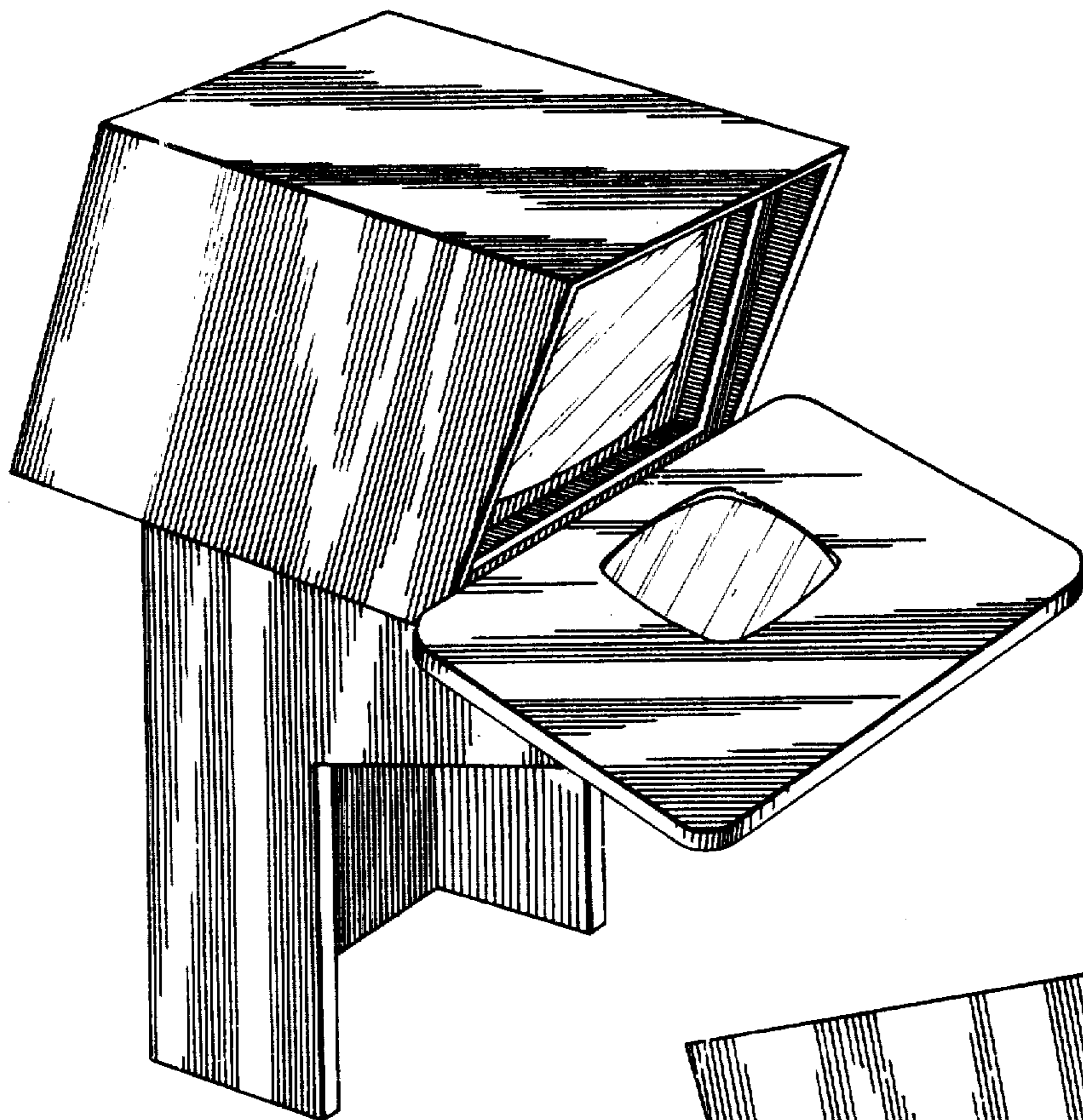


FIG. 1

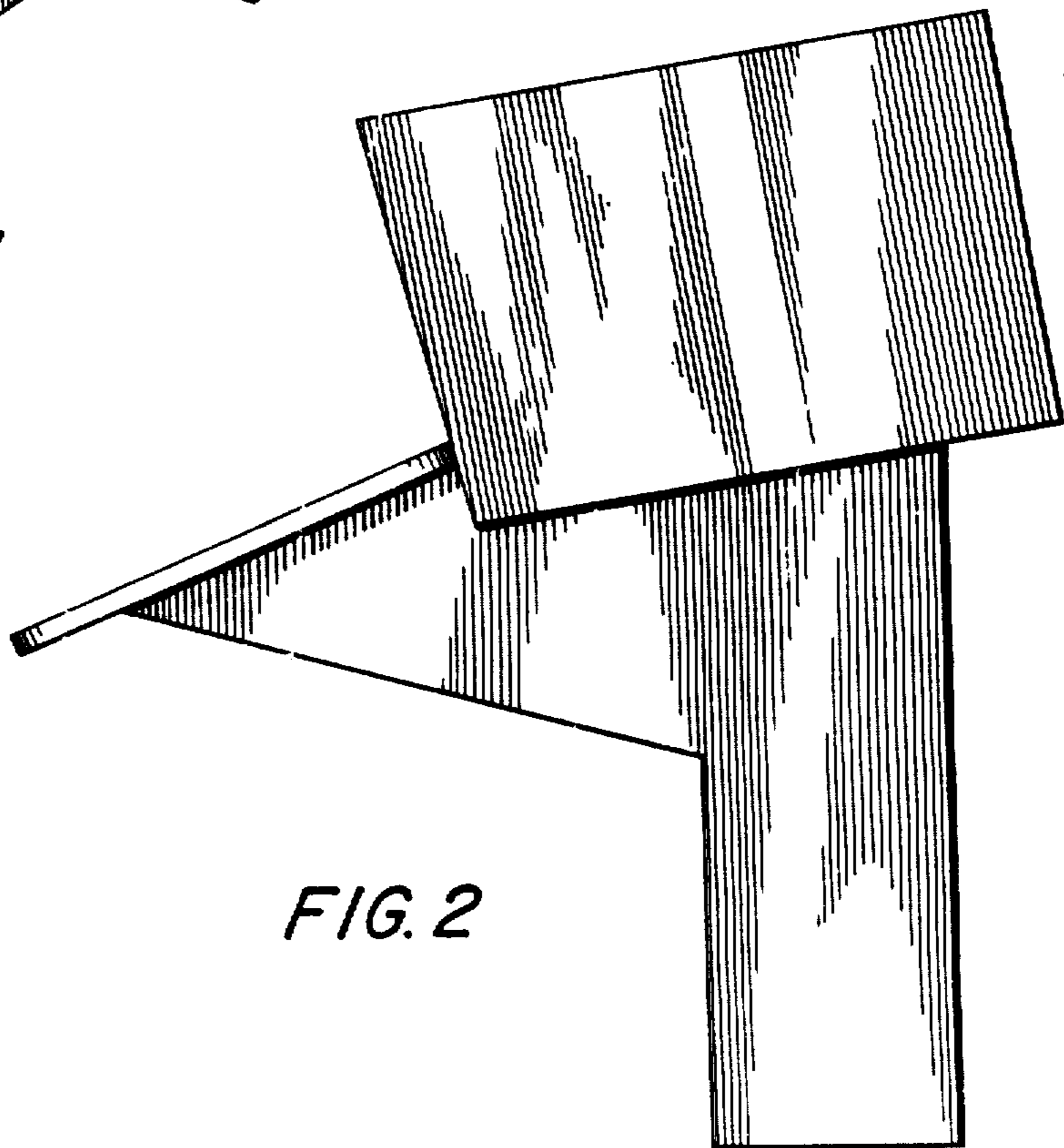


FIG. 2

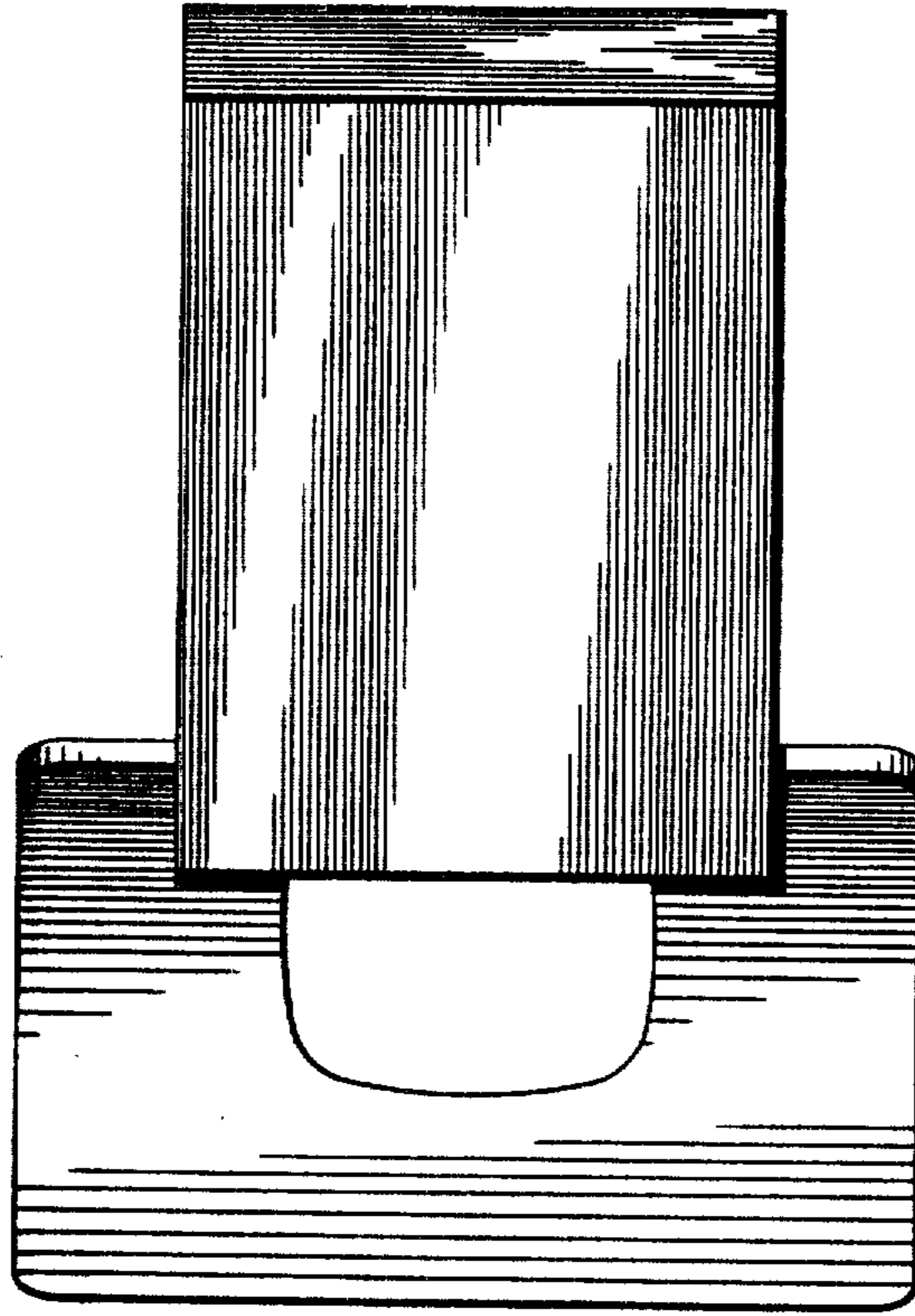


FIG. 3

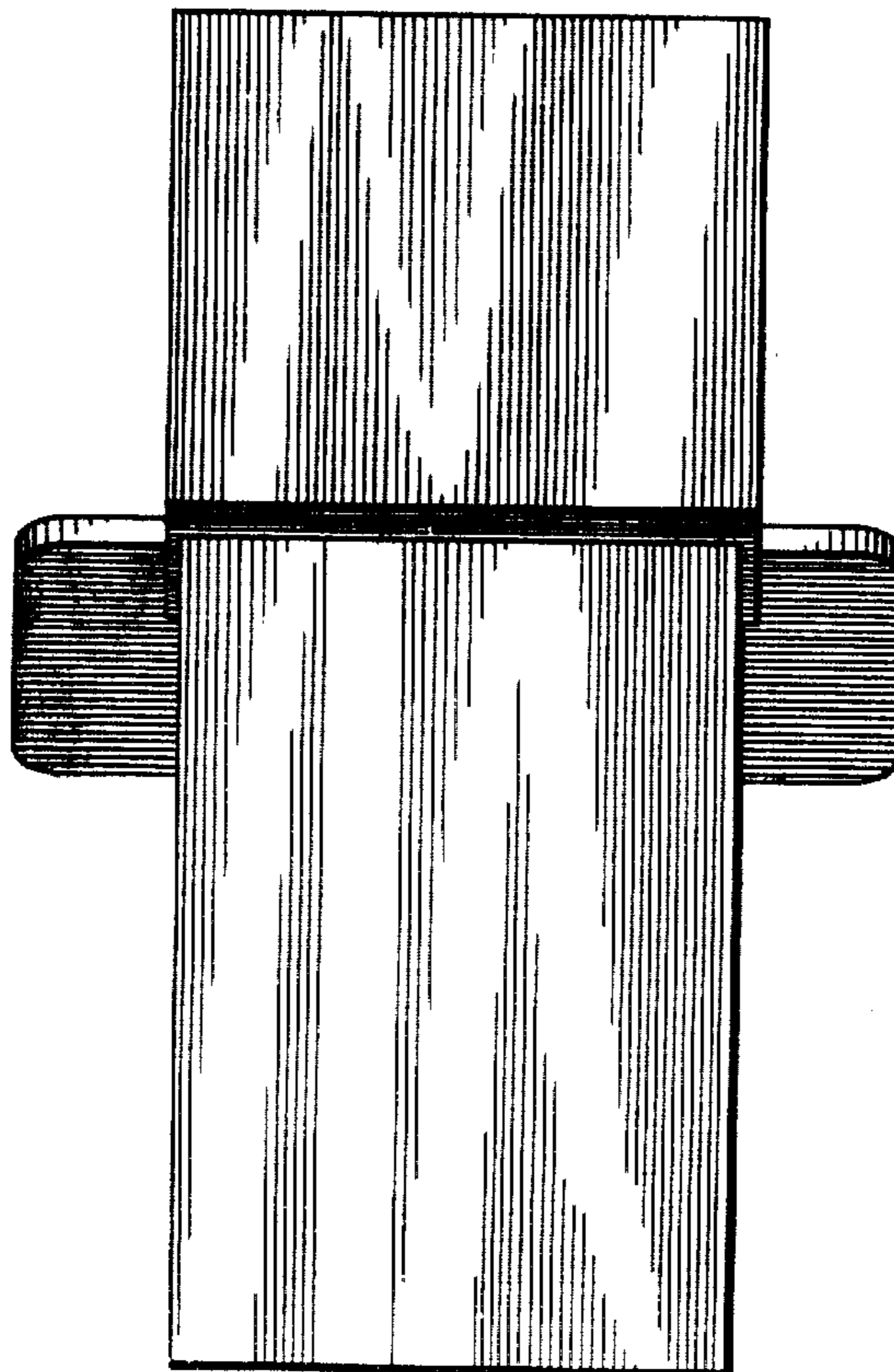


FIG. 4