

[54] COMBINED DATA INPUT TERMINAL AND ACOUSTIC COUPLER

[75] Inventors: Takashi Hirata; Kunio Hirose, both of Yokohama; Hirohiko Katayama, Kawasaki, all of Japan

[73] Assignee: Canon Kabushiki Kaisha, Tokyo, Japan

[**] Term: 14 Years

[21] Appl. No.: 287,867

[22] Filed: Jul. 28, 1981

[30] Foreign Application Priority Data

Feb. 9, 1981 [JP] Japan 56-4666

[52] U.S. Cl. D14/101; D14/57; D14/66; D14/107

[58] Field of Search D14/100-115, D14/52, 57, 58, 66; 364/900; 340/365 R; 179/1 C, 2 C

[56] References Cited

U.S. PATENT DOCUMENTS

4,162,373 7/1979 Ingber 179/2 C

OTHER PUBLICATIONS

Computer Design, 4/79, p. 829, Norand®, Sprint 100 TM, Order Entry Terminal with Coupler.

Datamation, 5/80, p. 255, Nixdorf Computer with Telephone Coupler.

IBM Technical Disclosure Bulletin, vol. 10, No. 3, 8/67, p. 188, Wallet Terminal Keyboard with Acoustic Coupler.

Primary Examiner—Susan J. Lucas

Attorney, Agent, or Firm—Fitzpatrick, Cella, Harper & Scinto

[57] CLAIM

The ornamental design for a combined data input terminal and acoustic coupler, as shown and described.

DESCRIPTION

FIG. 1 is a front view of a combined data input terminal and acoustic coupler showing our new design; the rear being a mirror image;

FIG. 2 is a top plan view thereof;

FIG. 3 is a bottom plan view thereof;

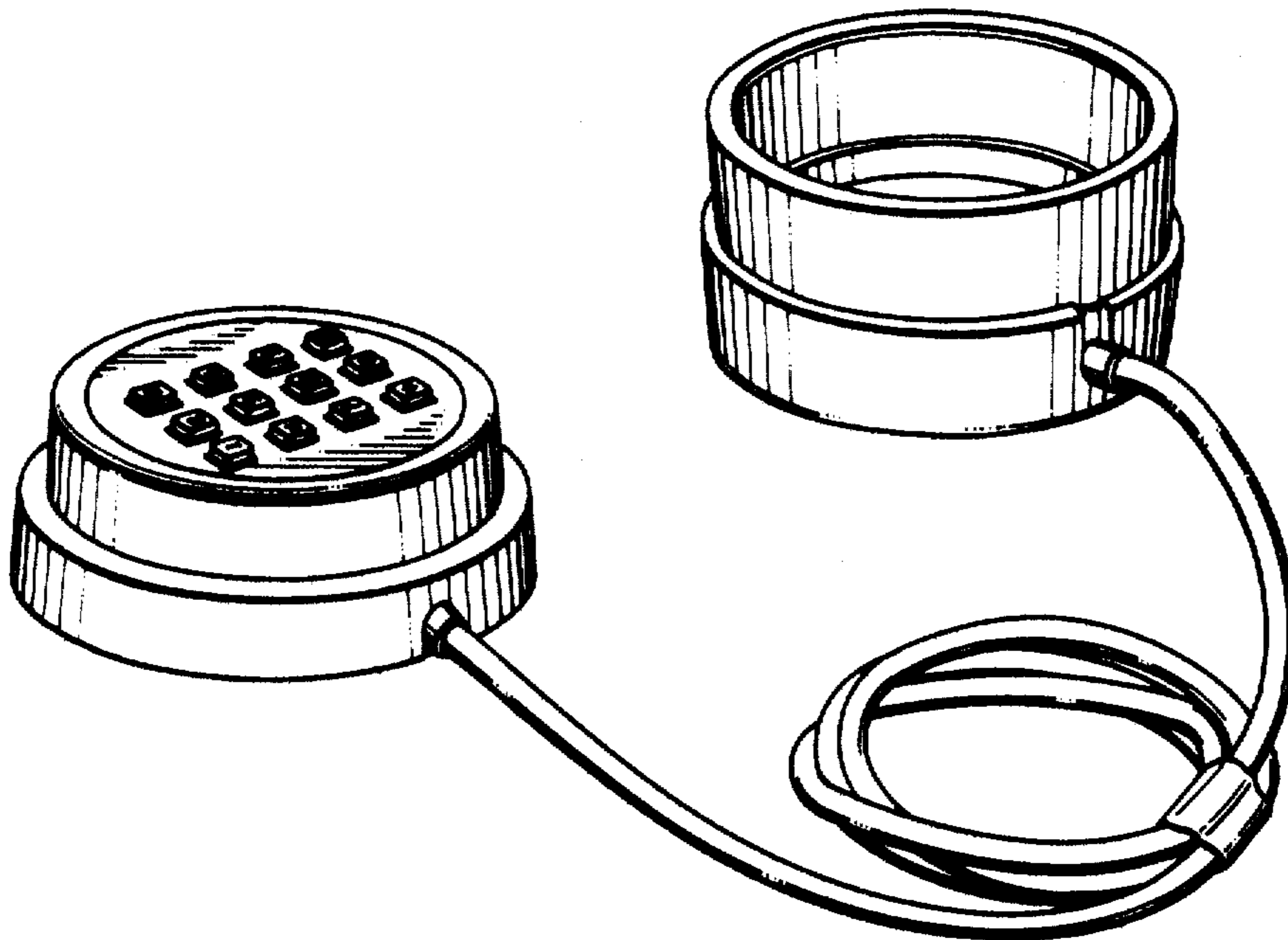
FIG. 4 is a side elevational view as seen from the left of FIG. 1;

FIG. 5 is a side elevational view as seen from the right of FIG. 1;

FIG. 6 is a perspective view thereof, the terminal and coupler being separated;

FIG. 7 is a perspective view thereof on a slightly reduced scale, the telephone being shown in broken lines for illustrative purposes only.

The rear view is omitted as it is symmetrical with the front view.



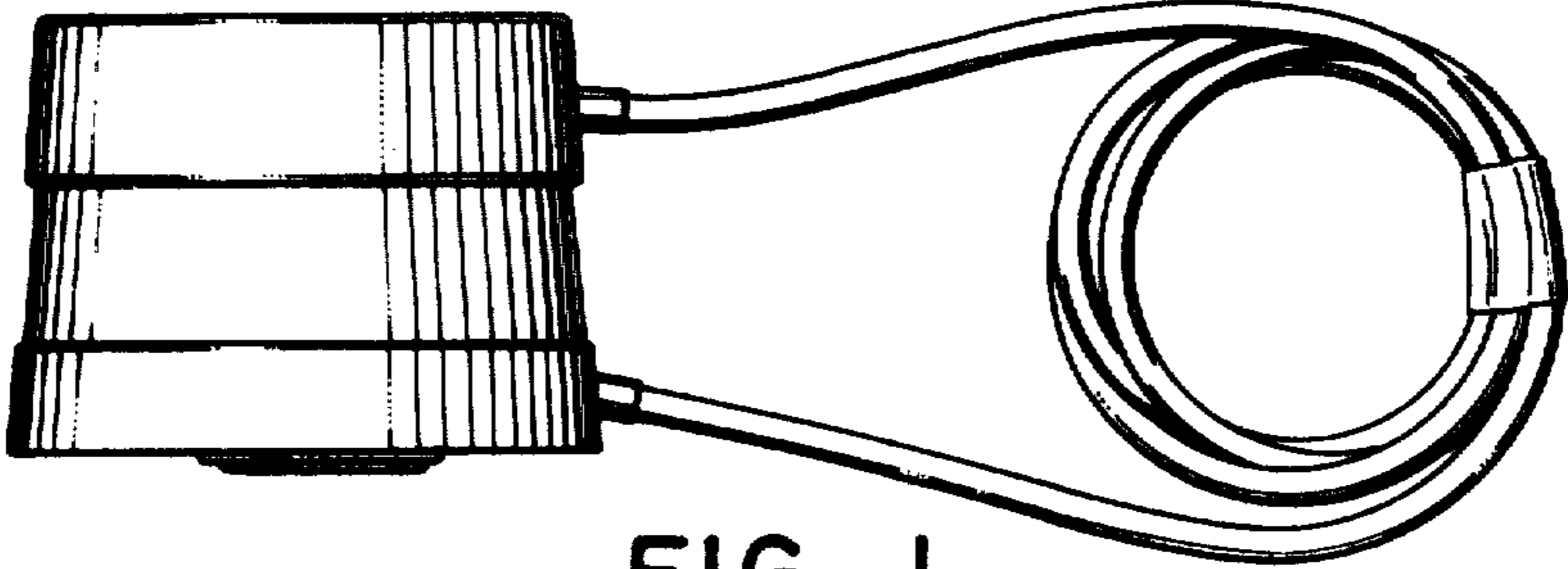


FIG. 1

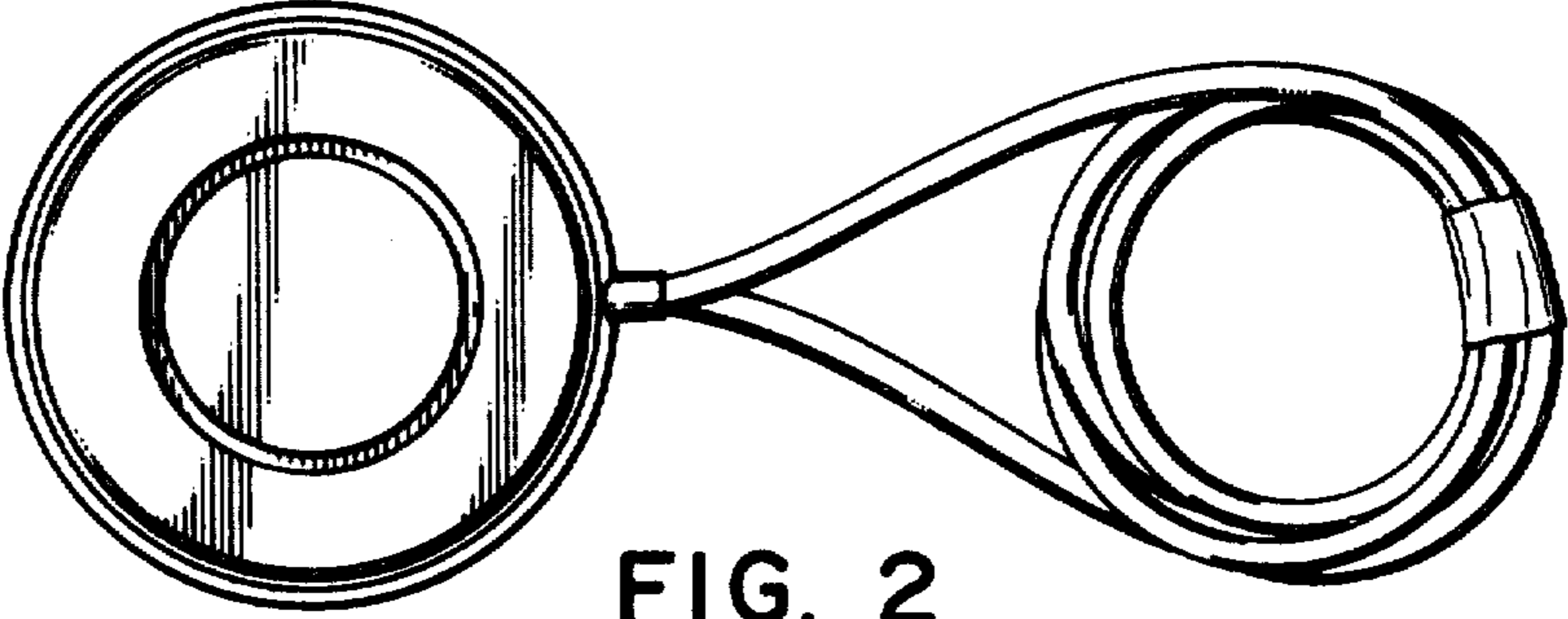


FIG. 2

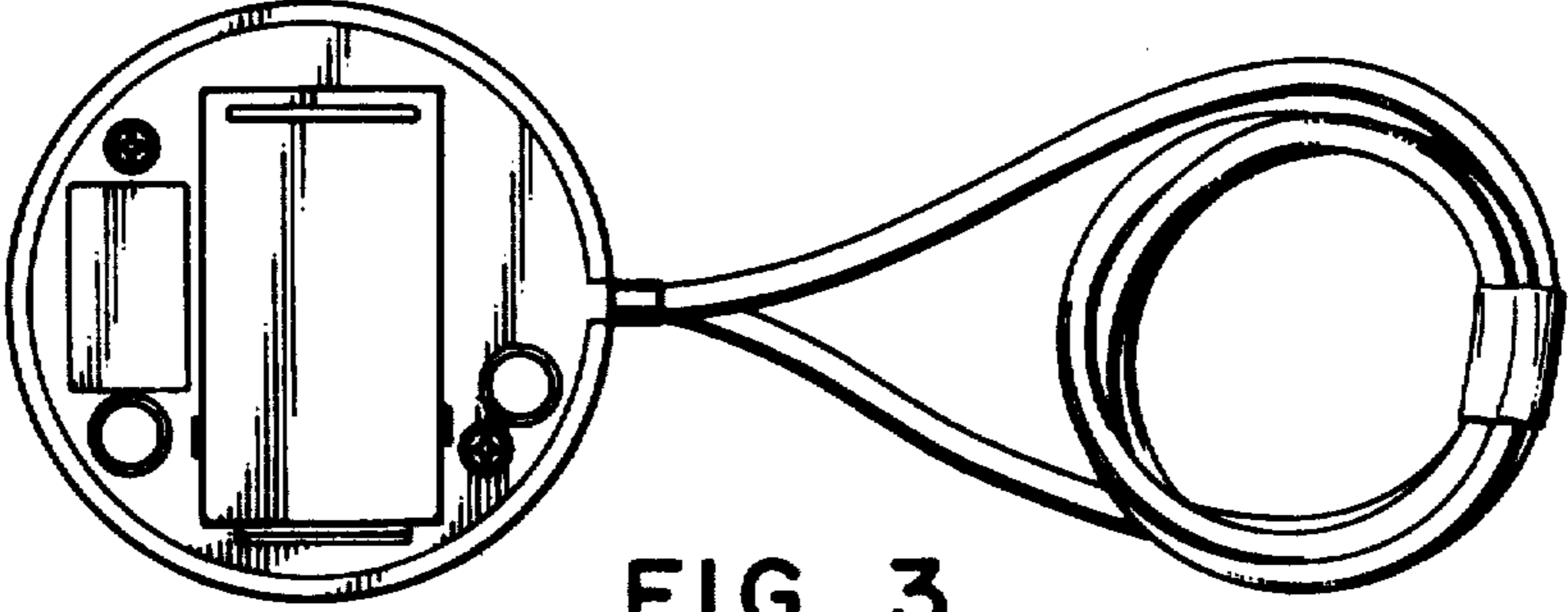


FIG. 3

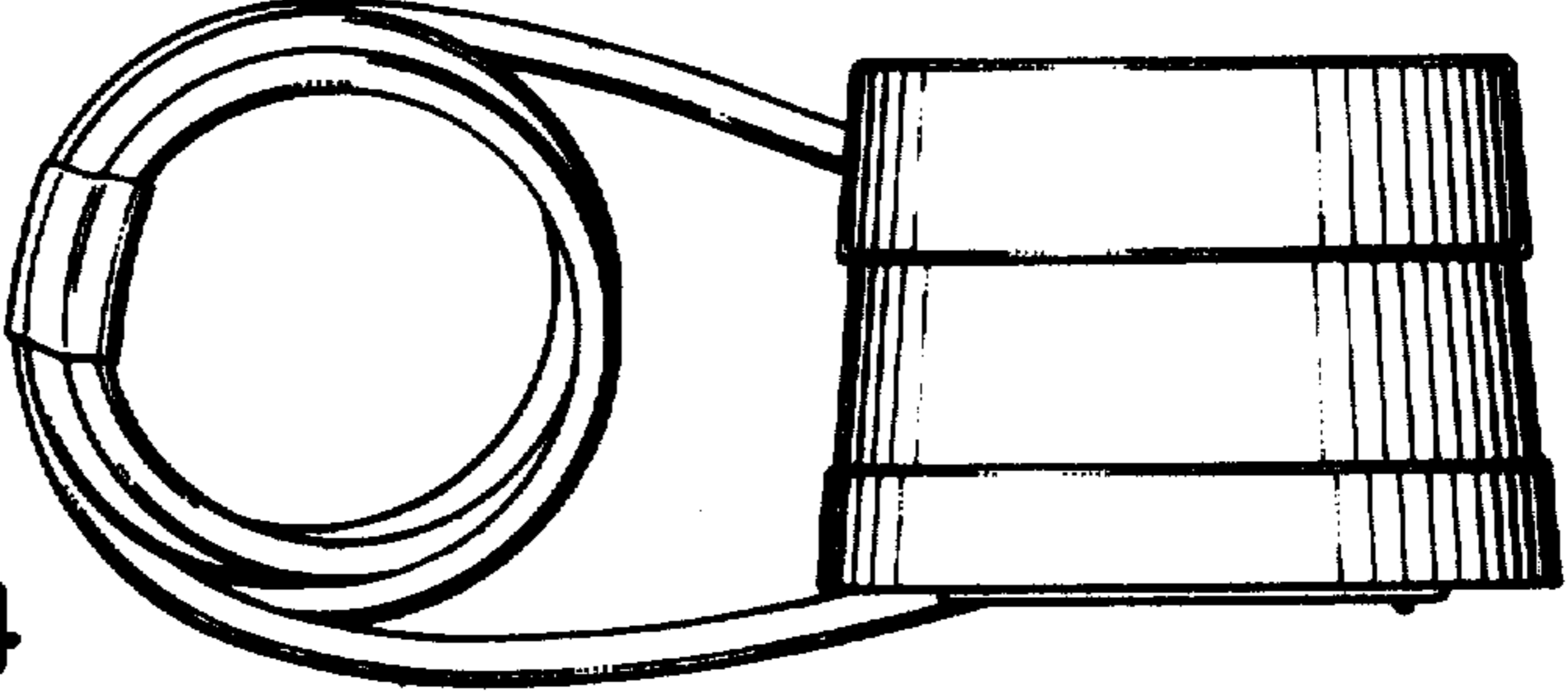


FIG. 4

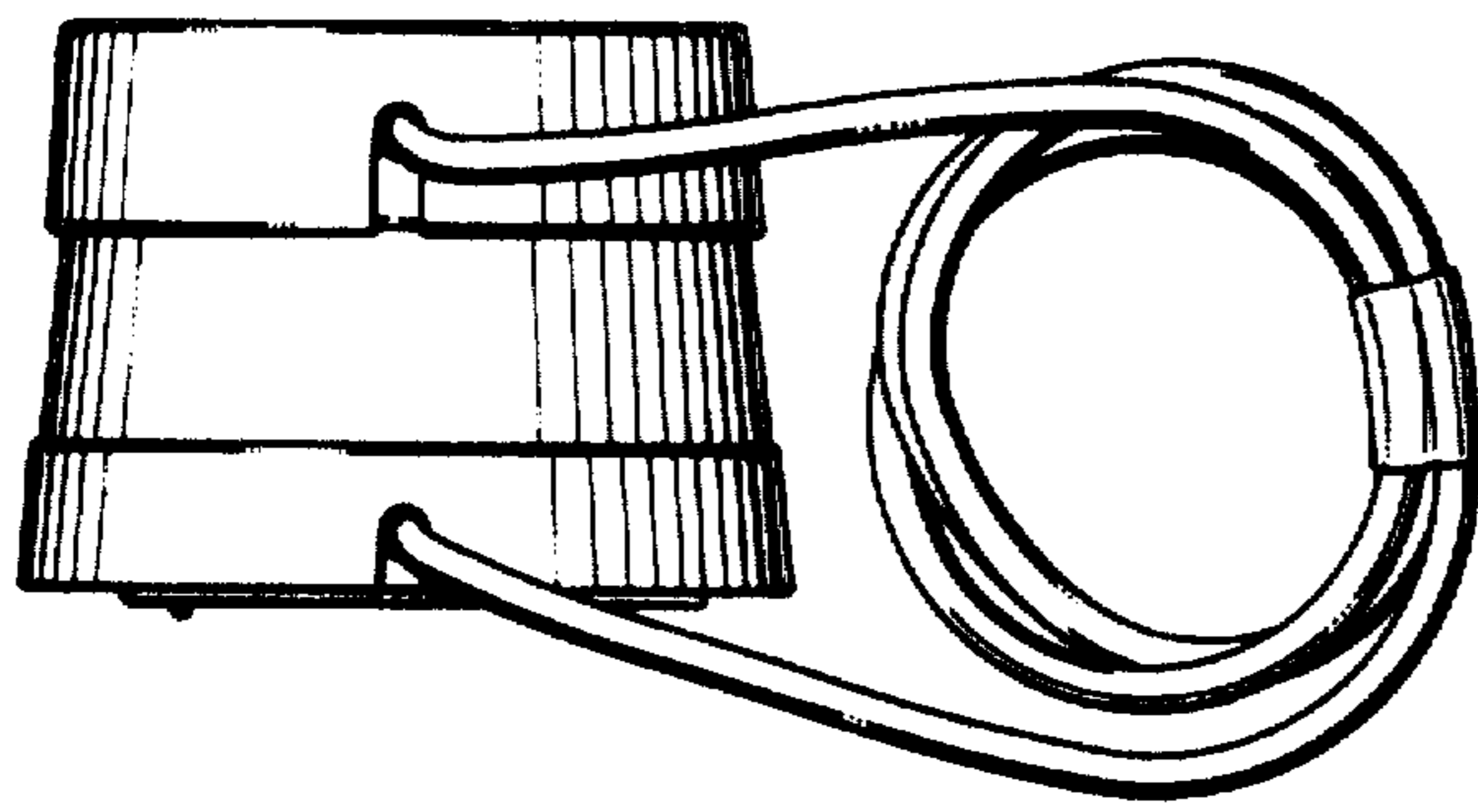


FIG. 5

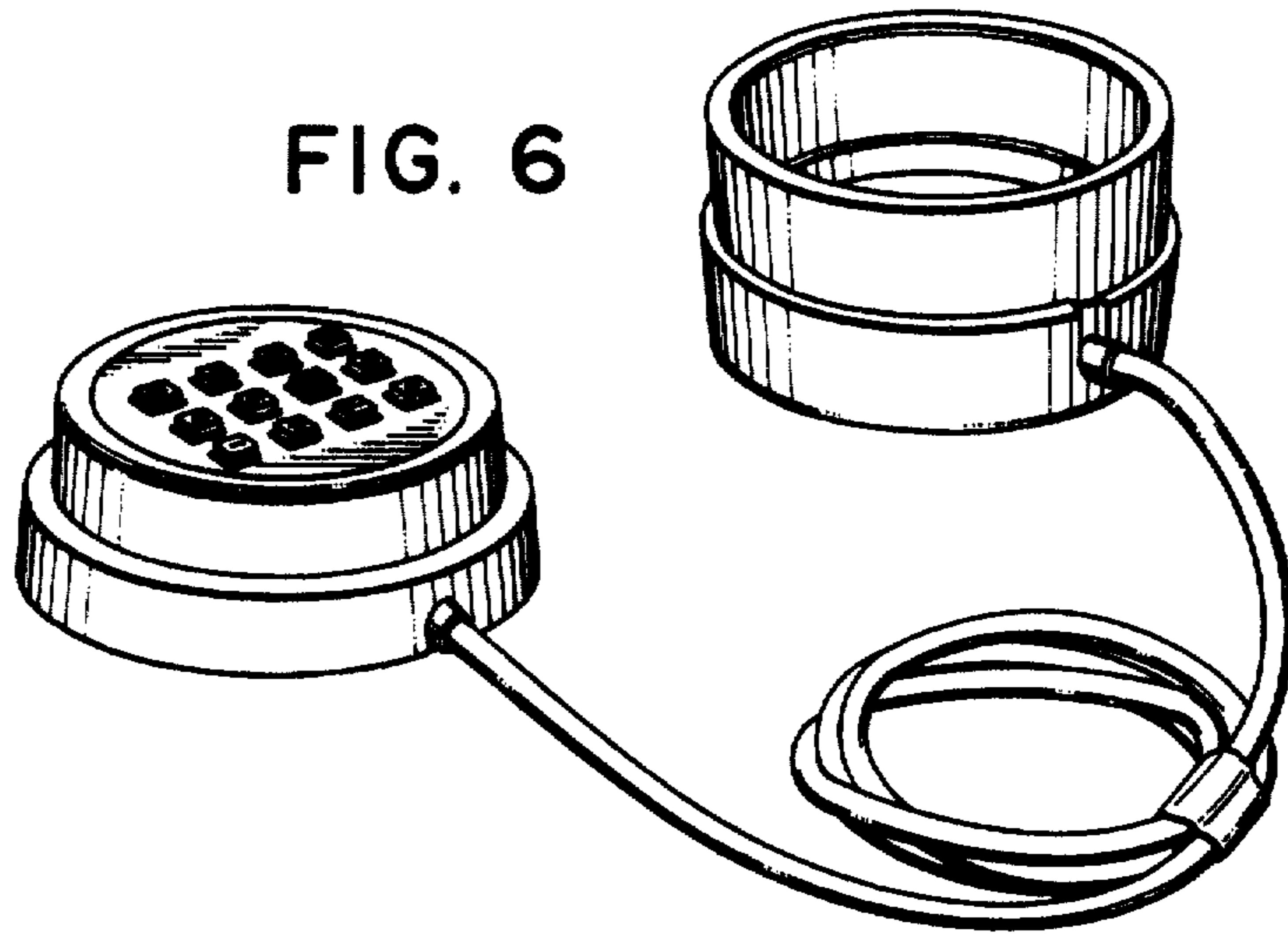


FIG. 6

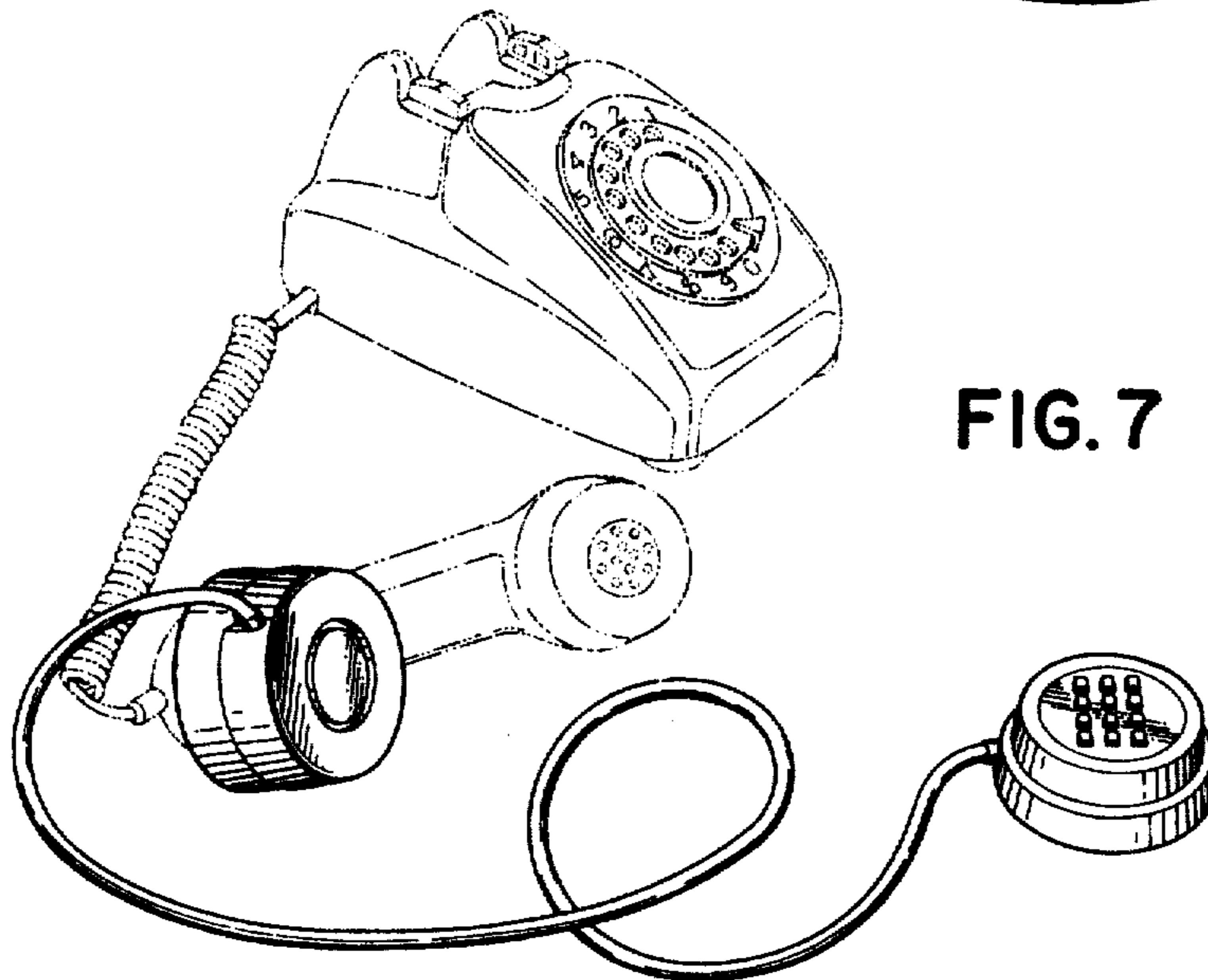


FIG. 7