

[54] TELEPRINTER KEYBOARD AND TELEPHONE

[75] Inventors: Donald M. Genaro, Haworth; Alvin R. Tilley, Red Bank, both of N.J.

[73] Assignee: Teletype Corporation, Skokie, Ill.

[\*\*] Term: 14 Years

[21] Appl. No.: 324,335

[22] Filed: Nov. 23, 1981

[52] U.S. Cl. .... D14/58; D14/52; D14/53; D14/93

[58] Field of Search ..... D14/53, 58, 52, 93; 179/178, 179, 100 D, 100 R, 100 L, 90 R, 100 C, 91 R, 90 BB; 340/365 R

[56] References Cited

U.S. PATENT DOCUMENTS

- D. 237,625 11/1975 Wolf et al. .... D14/58
- D. 257,772 1/1981 Fukutani ..... D14/58
- D. 264,338 5/1982 Sharp et al. .... D14/58
- D. 266,512 10/1982 Furbershaw et al. .... D14/58 X
- 3,217,254 11/1965 Hughes et al. .... 179/90 R

Primary Examiner—Bernard Ansher  
Attorney, Agent, or Firm—A. A. Tirva; J. C. Albrecht

[57] CLAIM

The ornamental design for a teleprinter keyboard and telephone, substantially as shown and described.

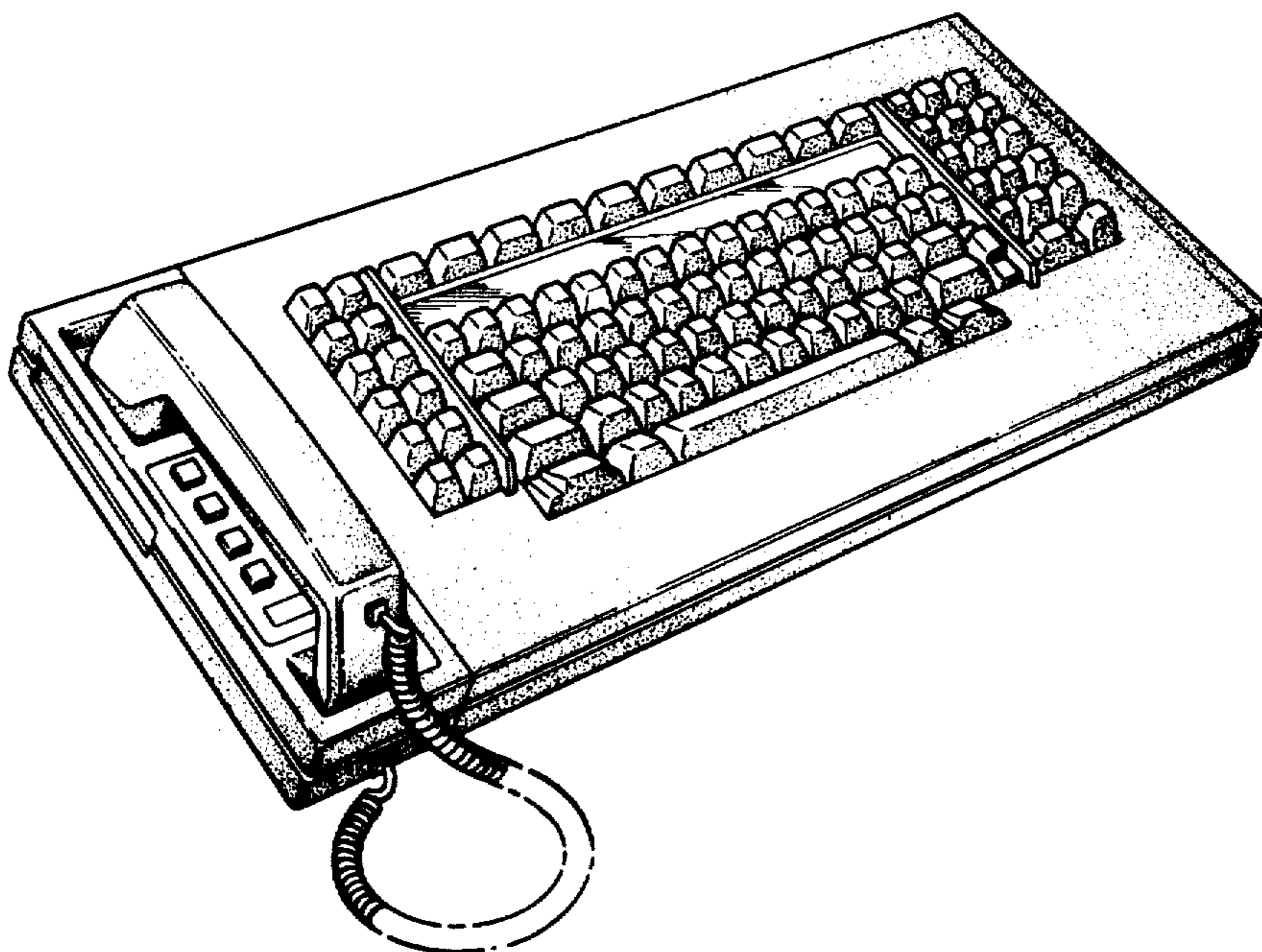
DESCRIPTION

FIG. 1 is a front, top and left side perspective view of a teleprinter keyboard and telephone showing our new design;

FIG. 2 is a left side elevational view thereof;

FIG. 3 is a right side elevational view thereof; and

FIG. 4 is a rear elevational view thereof taken along lines 4-4 of FIG. 3.



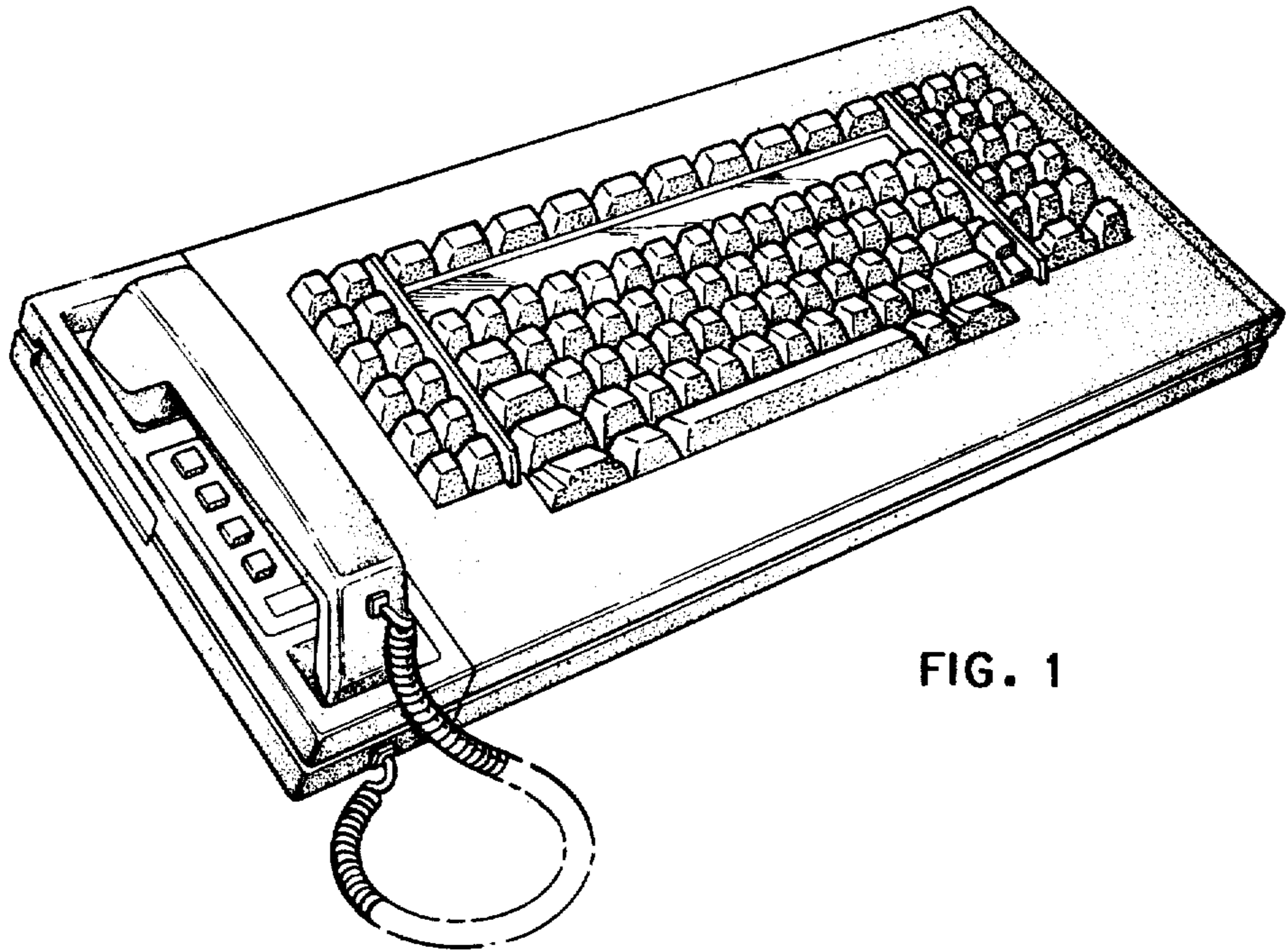


FIG. 1

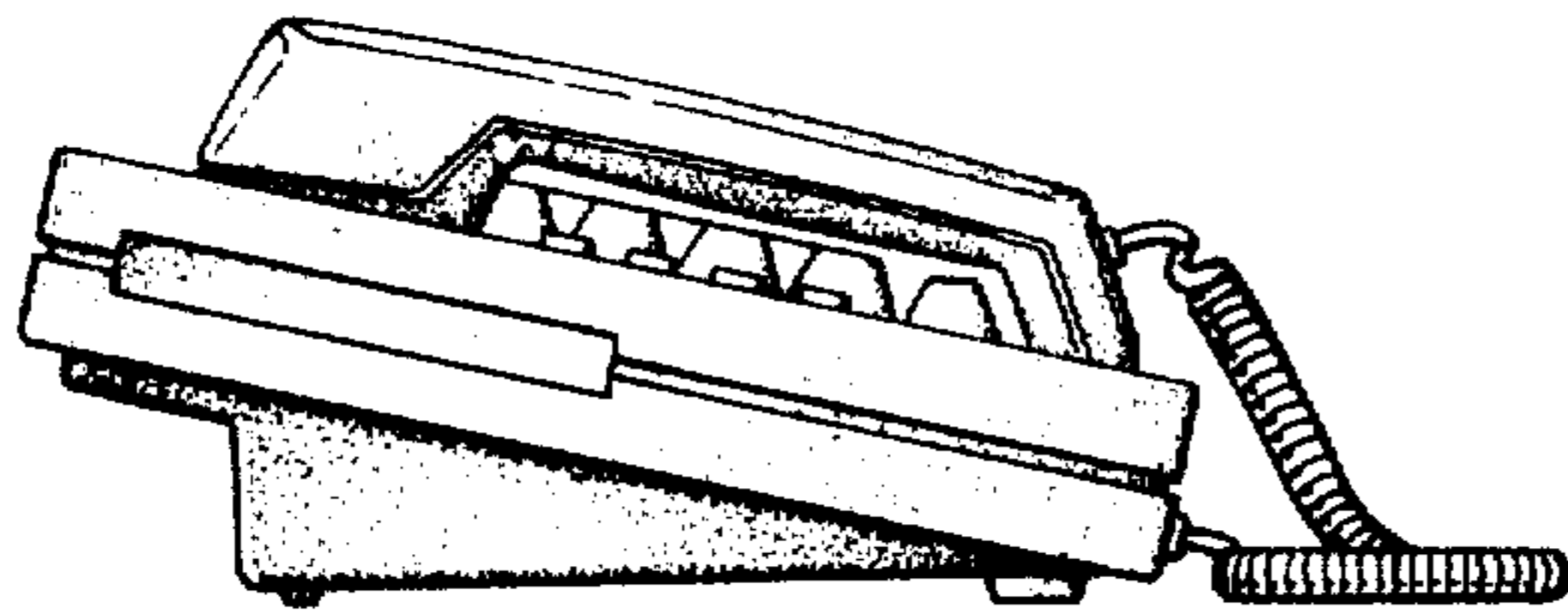


FIG. 2

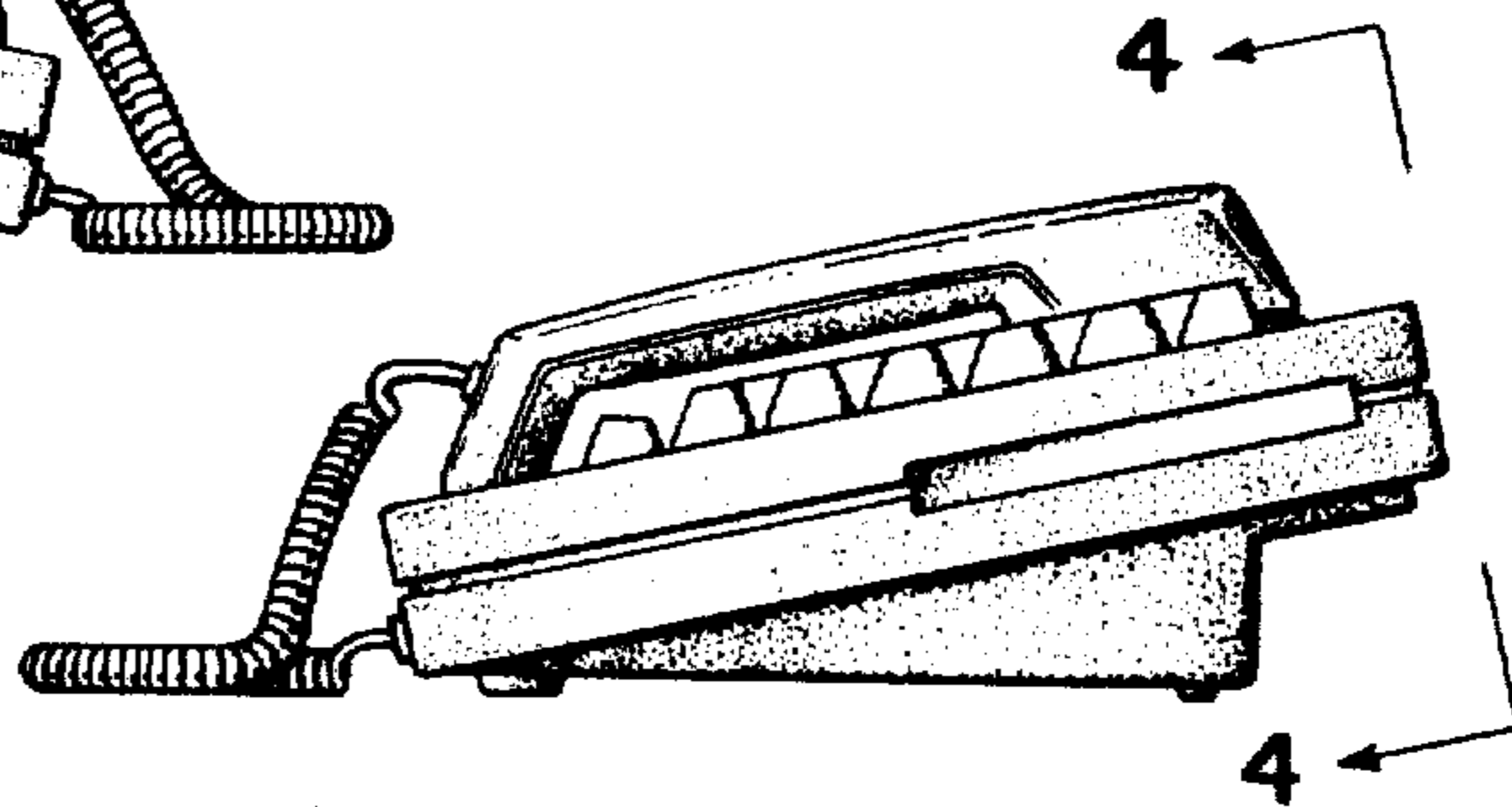


FIG. 3

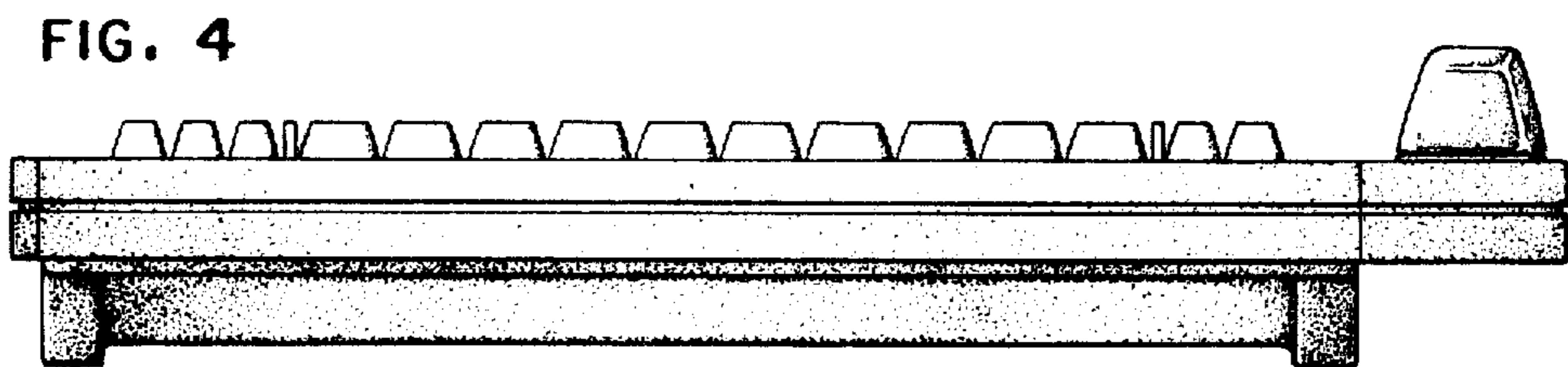


FIG. 4