

- [54] **COMBINED CONTROL DEVICE AND DISPLAY UNIT FOR TELEPHONE EXCHANGE**
- [75] Inventor: **Carl-Arne Breger**, Stockholm, Sweden
- [73] Assignee: **Telefonaktiebolaget L M Ericsson**, Stockholm, Sweden
- [**] Term: **14 Years**
- [21] Appl. No.: **223,218**
- [22] Filed: **Jan. 7, 1981**
- [52] U.S. Cl. **D14/58; D14/52; D14/100; D14/113**
- [58] Field of Search **179/100 D, 100 R, 179; D14/113, 58, 52, 59, 100**

- [56] **References Cited**
- U.S. PATENT DOCUMENTS**
- D. 202,555 10/1965 Meunier D14/100
- D. 259,933 7/1981 Foggia et al. D14/52 X

- D. 265,314 7/1982 Kitai D14/100
- D. 266,762 11/1982 Gibson D14/113 X

OTHER PUBLICATIONS

Telephony, Jan. 1, 1979, p. 30, GTE-60 PBX with display.

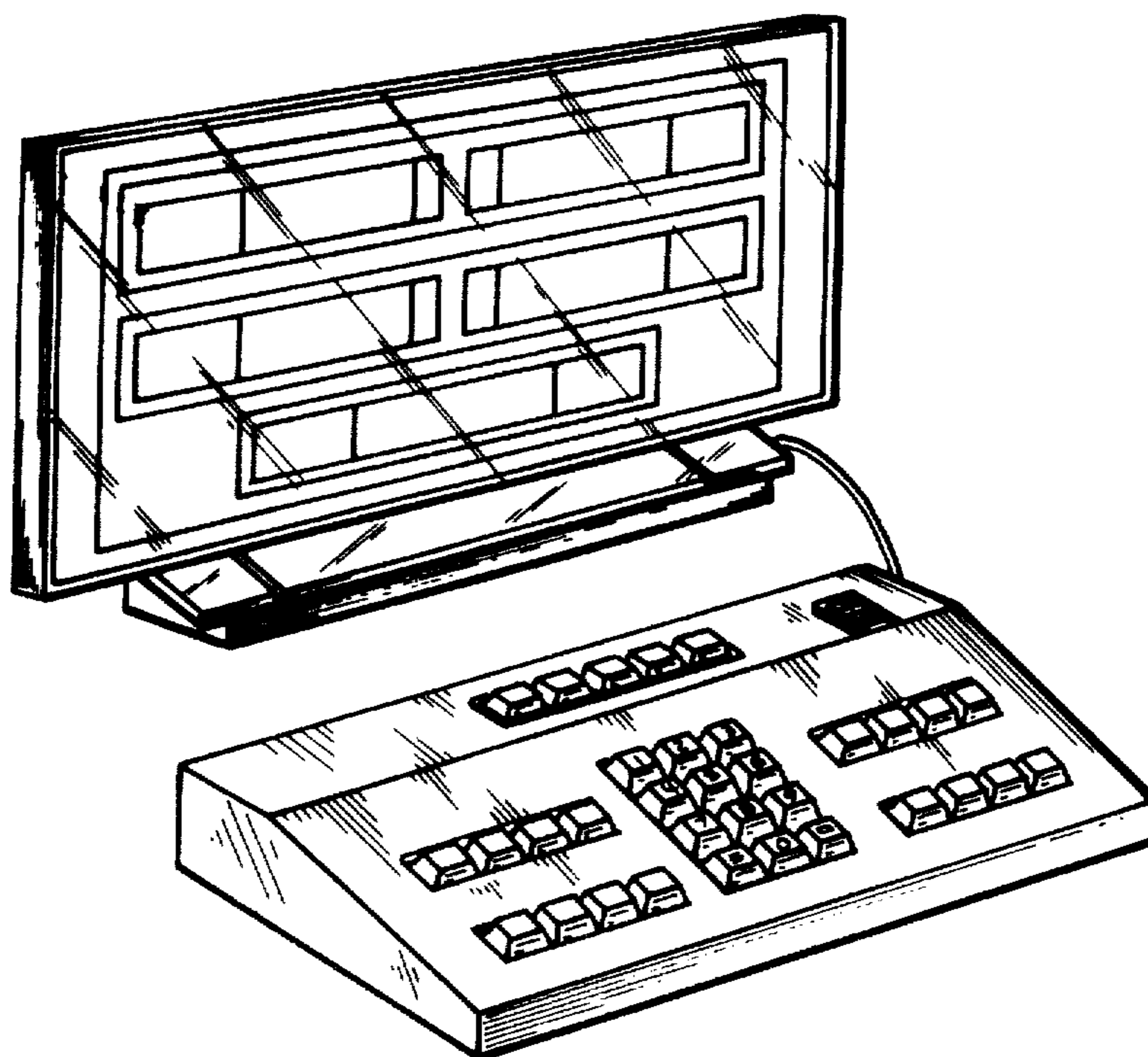
Primary Examiner—Bernard Ansher
Attorney, Agent, or Firm—Hane, Roberts, Spiecens & Cohen

[57] **CLAIM**

The ornamental design for a combined control device and display unit for telephone exchange, as shown and described.

DESCRIPTION

FIG. 1 is a top front perspective view of a combined control device and display unit for a telephone exchange;
FIG. 2 is a front elevation thereof;
FIG. 3 is a rear perspective view thereof; and
FIG. 4 is a rear perspective view of the control device, shown separately for clarity of illustration.



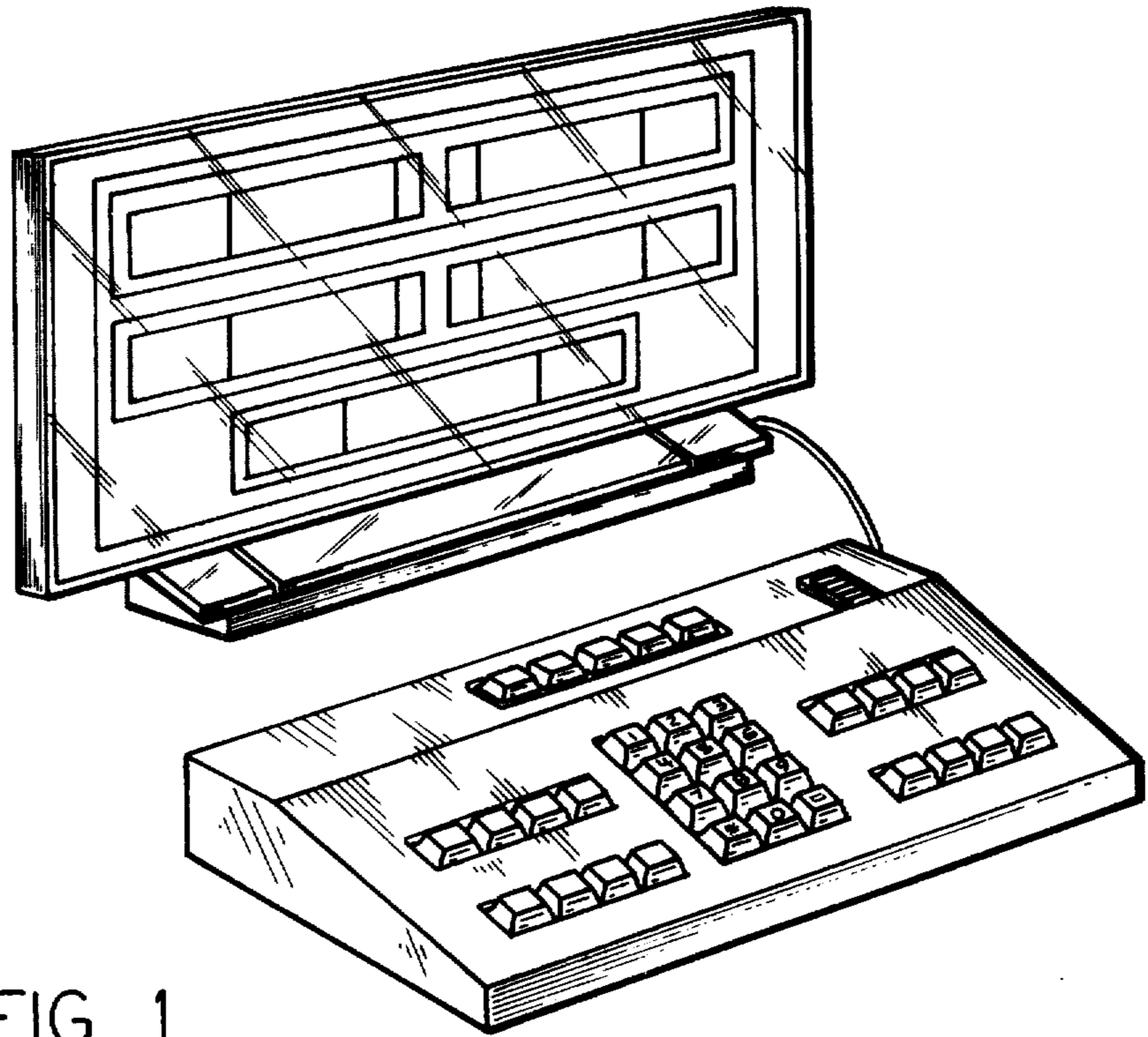


FIG. 1

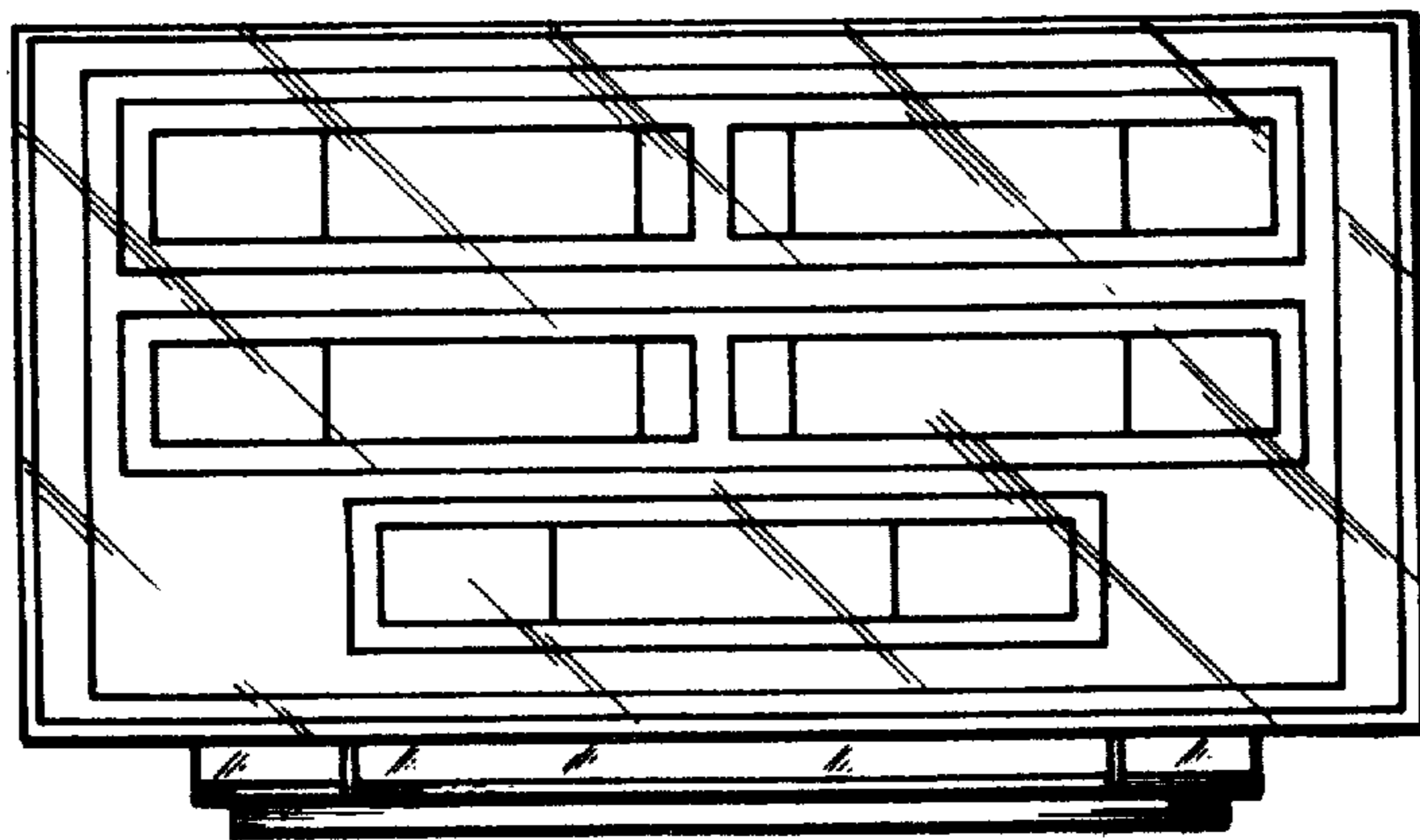


FIG. 2

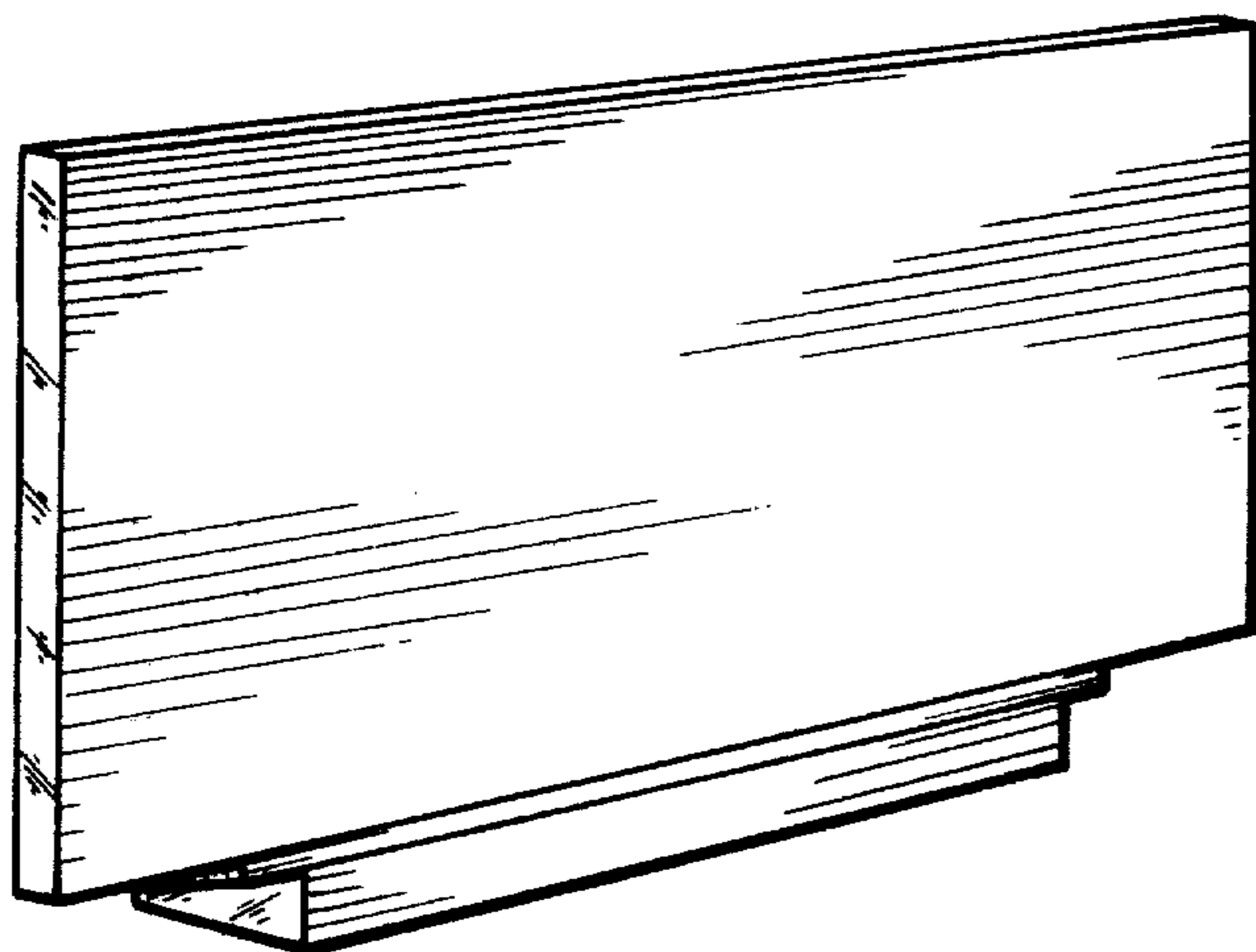


FIG. 3

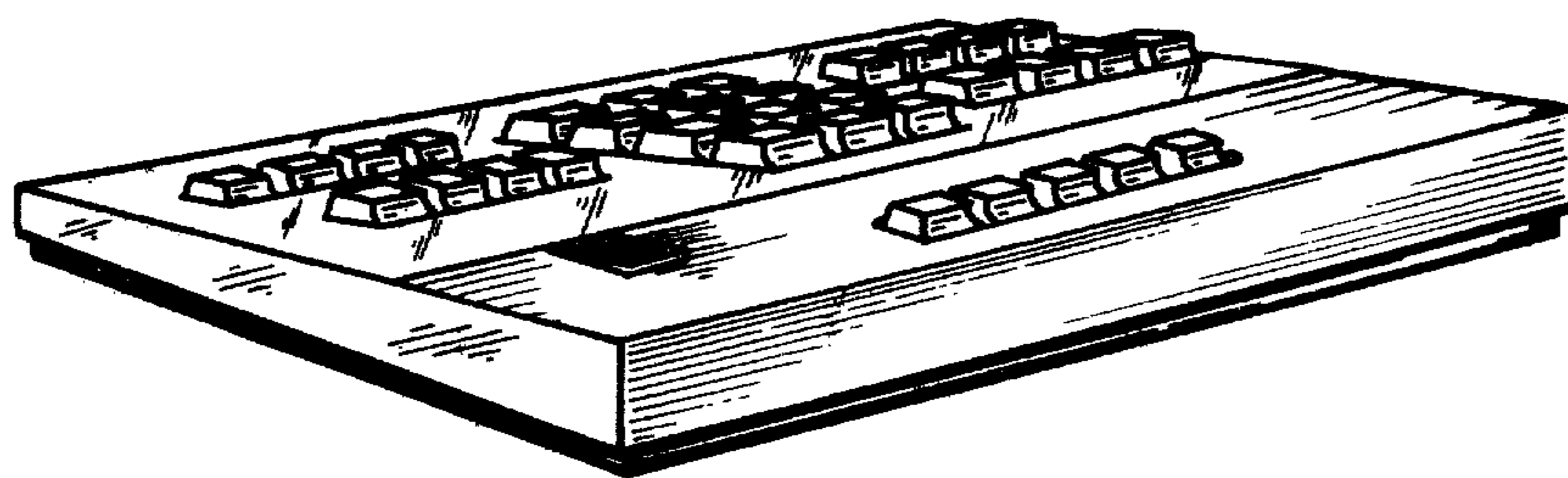


FIG. 4