

[54] TELEPHONE INSTRUMENT

[75] Inventor: Carl-Arne Breger, Stockholm, Sweden

[73] Assignee: Telefonaktiebolaget L M Ericsson, Stockholm, Sweden

[\*\*] Term: 14 Years

[21] Appl. No.: 213,092

[22] Filed: Dec. 4, 1980

[30] Foreign Application Priority Data

Jun. 11, 1980 [SE] Sweden ..... 80001185

[52] U.S. Cl. .... D14/53; D14/58

[58] Field of Search ..... D14/53, 58, 60, 52; 179/179, 178, 100 D, 100 C, 100 R, 90, 6.31, 100 L

[56]

References Cited

U.S. PATENT DOCUMENTS

D. 251,844	5/1979	Krämer .....	D14/58
D. 256,917	9/1980	DeFilippis et al. ....	D14/58 X
D. 260,643	9/1981	Foggia et al. ....	D14/53 X
D. 261,139	10/1981	Jokobsen .....	D14/53
3,243,517	3/1966	Miller et al. ....	179/179 X
3,881,071	4/1975	Willis et al. ....	179/179

Primary Examiner—Bernard Ansher  
Attorney, Agent, or Firm—Hane, Roberts, Spieccens & Cohen

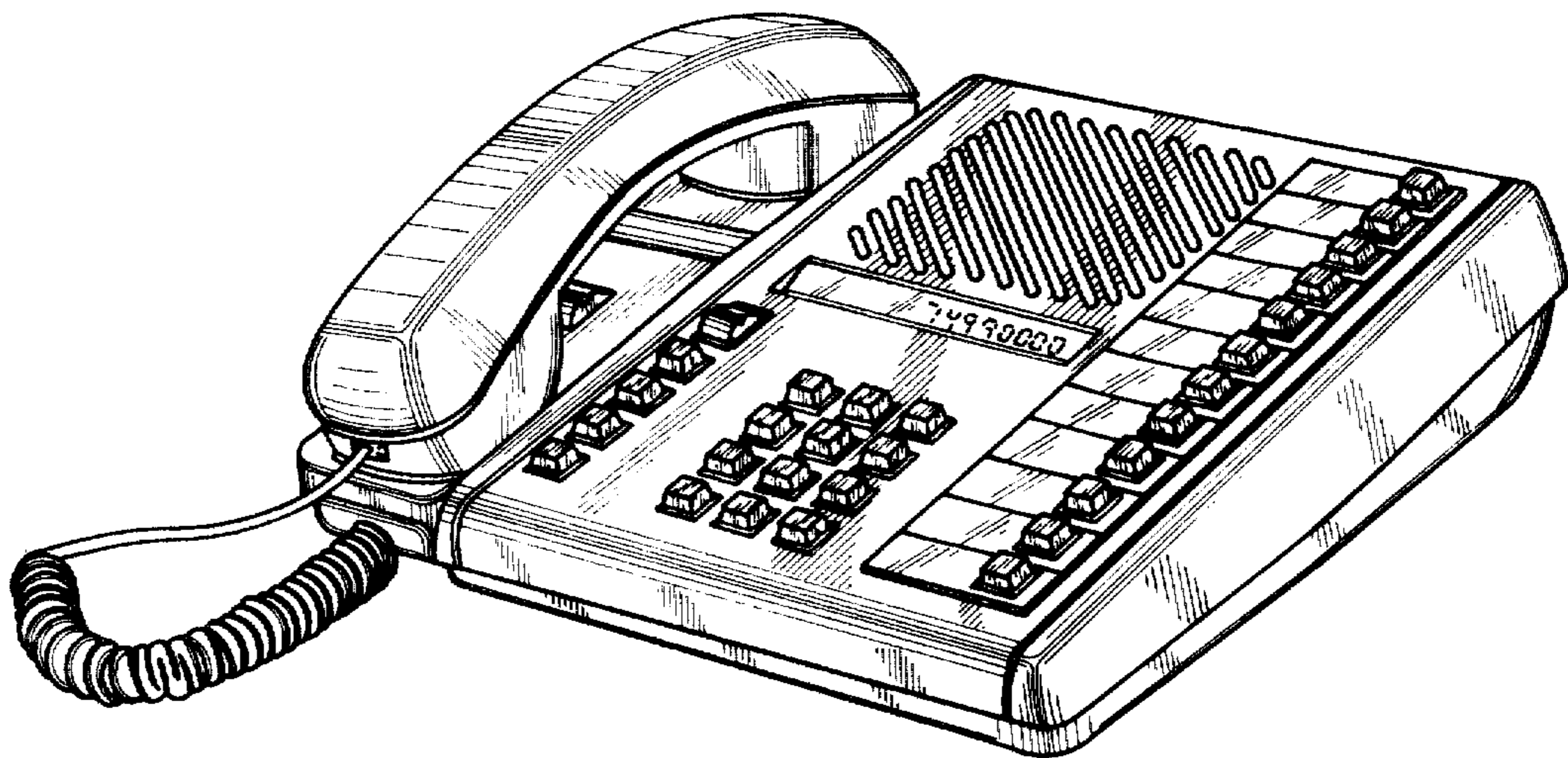
[57]

CLAIM

The ornamental design for a telephone instrument, as shown.

DESCRIPTION

FIG. 1 is a top perspective view of a telephone instrument showing my new design; FIG. 2 is a side elevation thereof; and FIG. 3 is a rear elevation thereof.



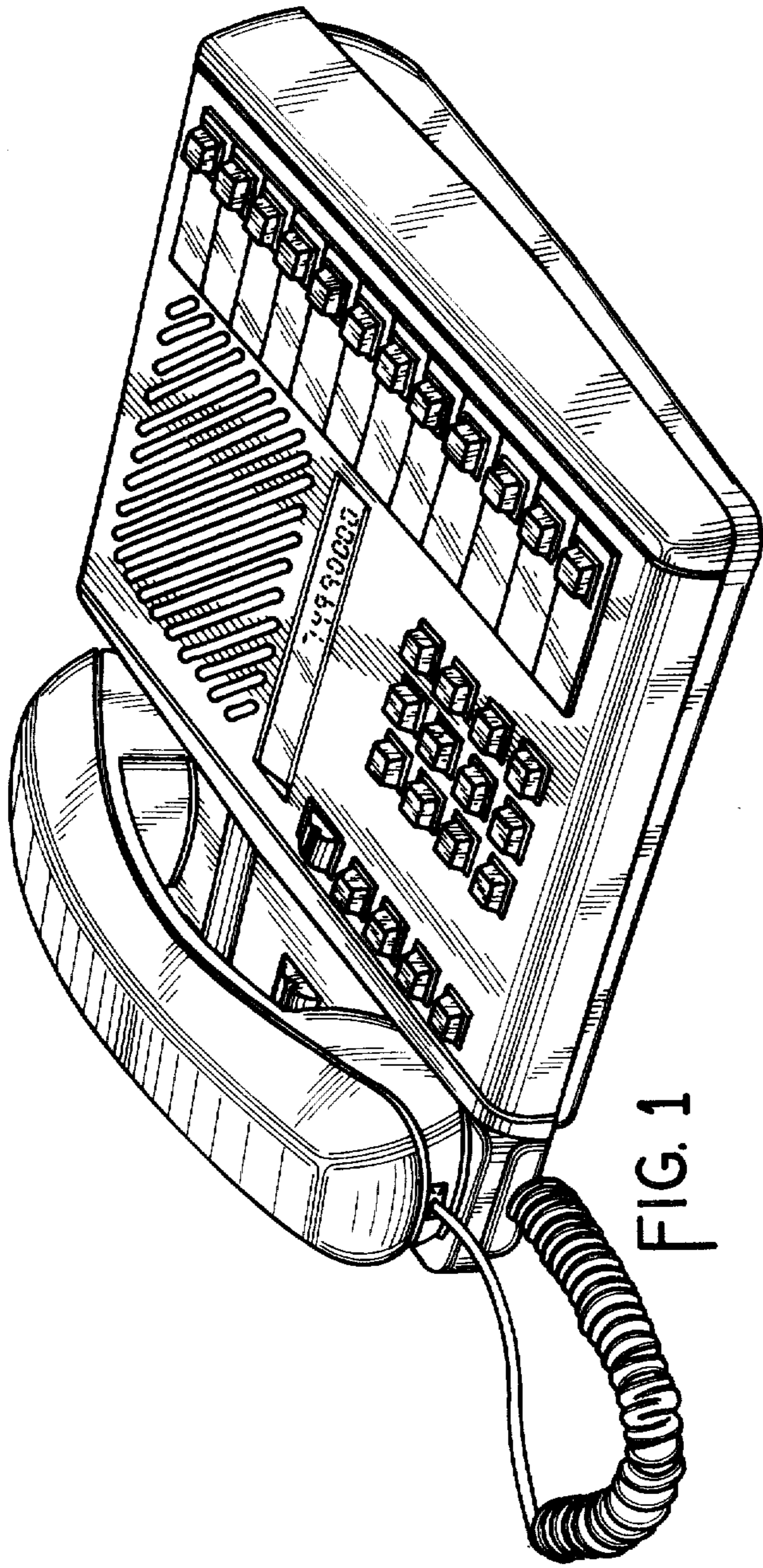


FIG. 1

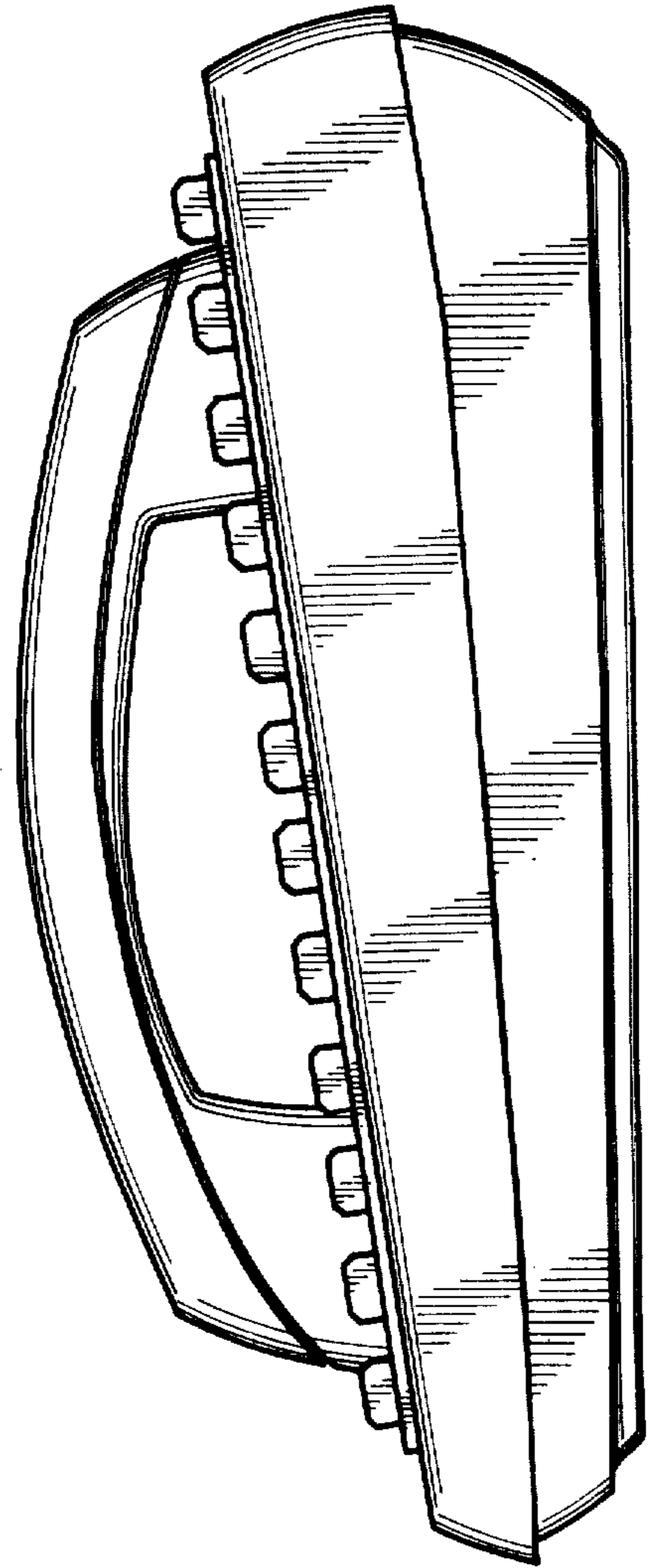


FIG. 2

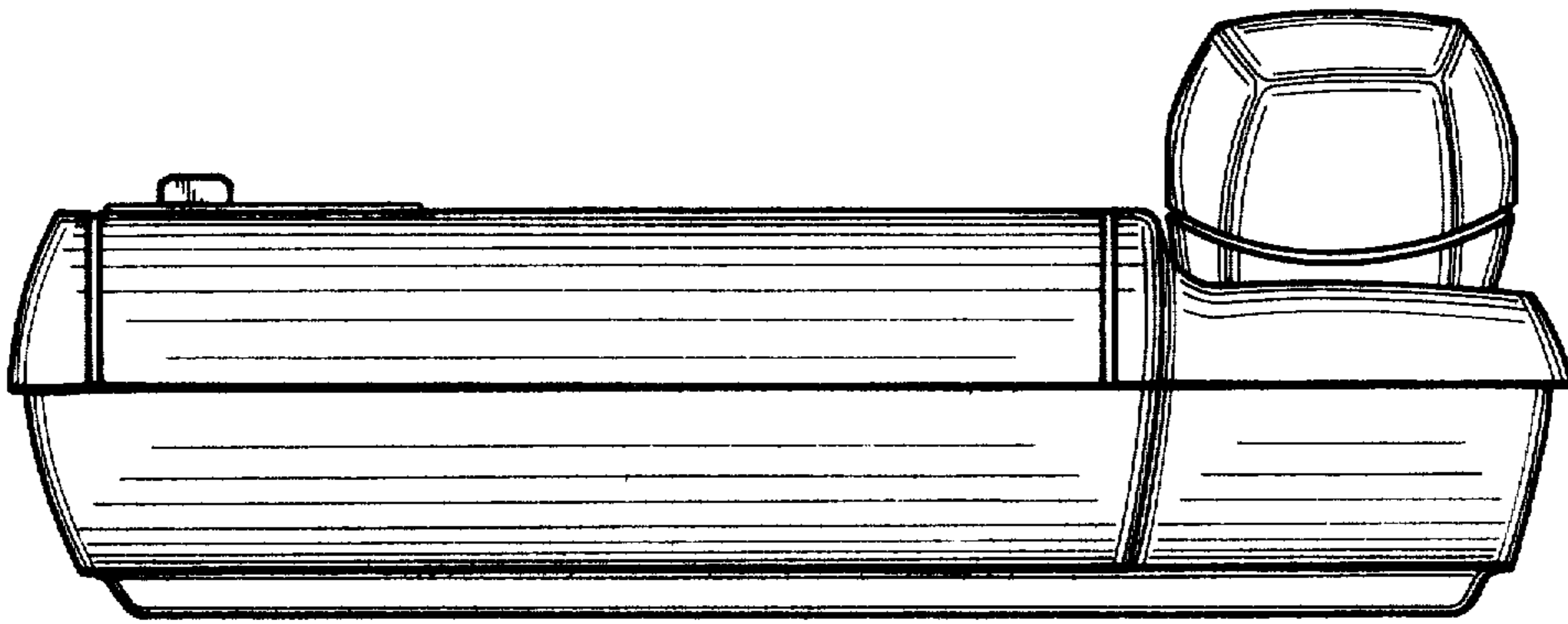


FIG. 3