

[54] **TELEPHONE INSTRUMENT**

[75] Inventor: **Carl-Arne Breger, Stockholm, Sweden**

[73] Assignee: **Telefonaktiebolaget L M Ericsson, Stockholm, Sweden**

[**] Term: **14 Years**

[21] Appl. No.: **213,067**

[22] Filed: **Dec. 4, 1980**

[30] **Foreign Application Priority Data**
Jun. 11, 1980 [SE] Sweden 80001186

[52] U.S. Cl. **D14/53; D14/58**

[58] Field of Search **D14/53, 58, 60, 52; 179/179, 178, 100 D, 100 C, 100 R, 100 L, 90, 6.31**

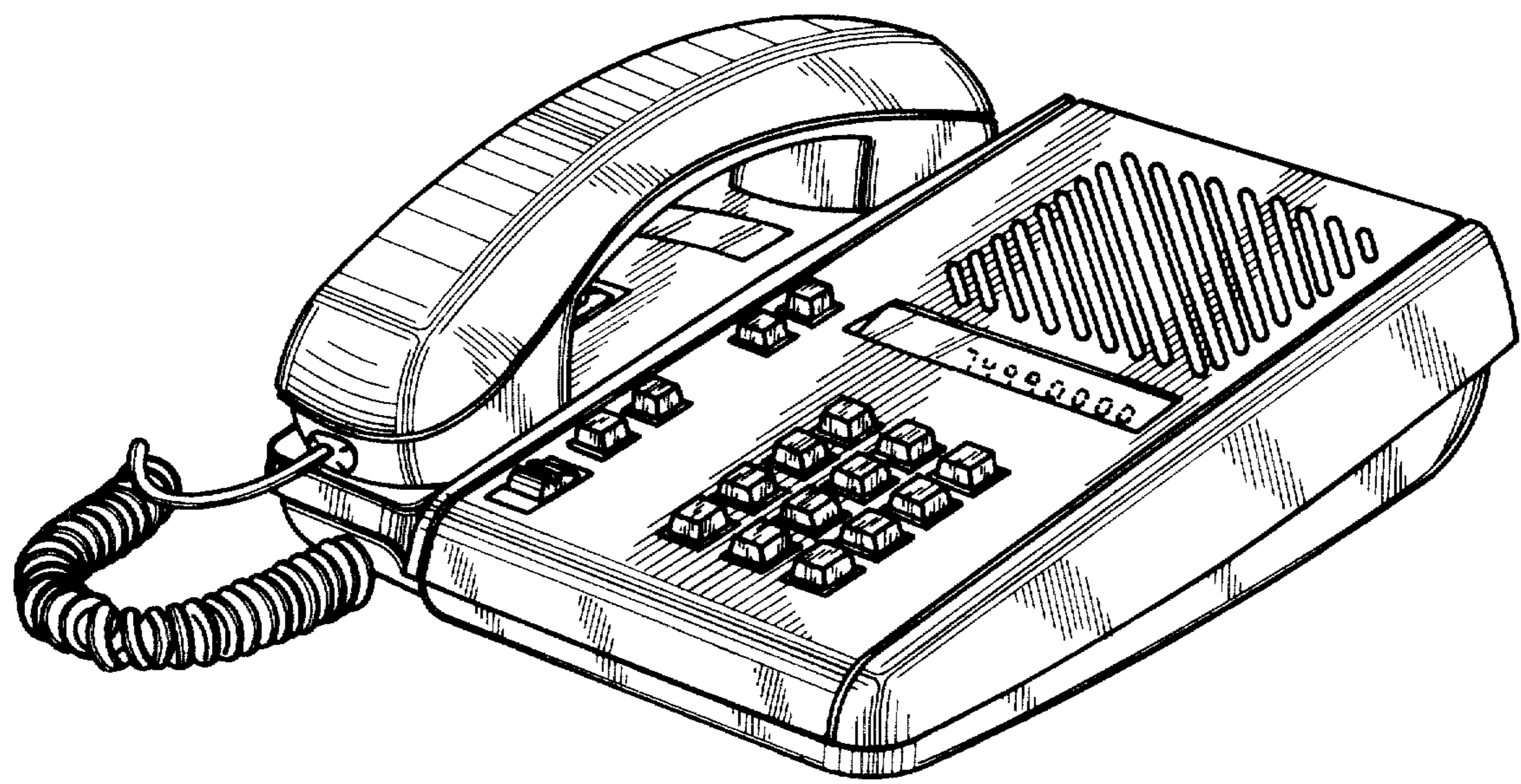
[56] **References Cited**
U.S. PATENT DOCUMENTS

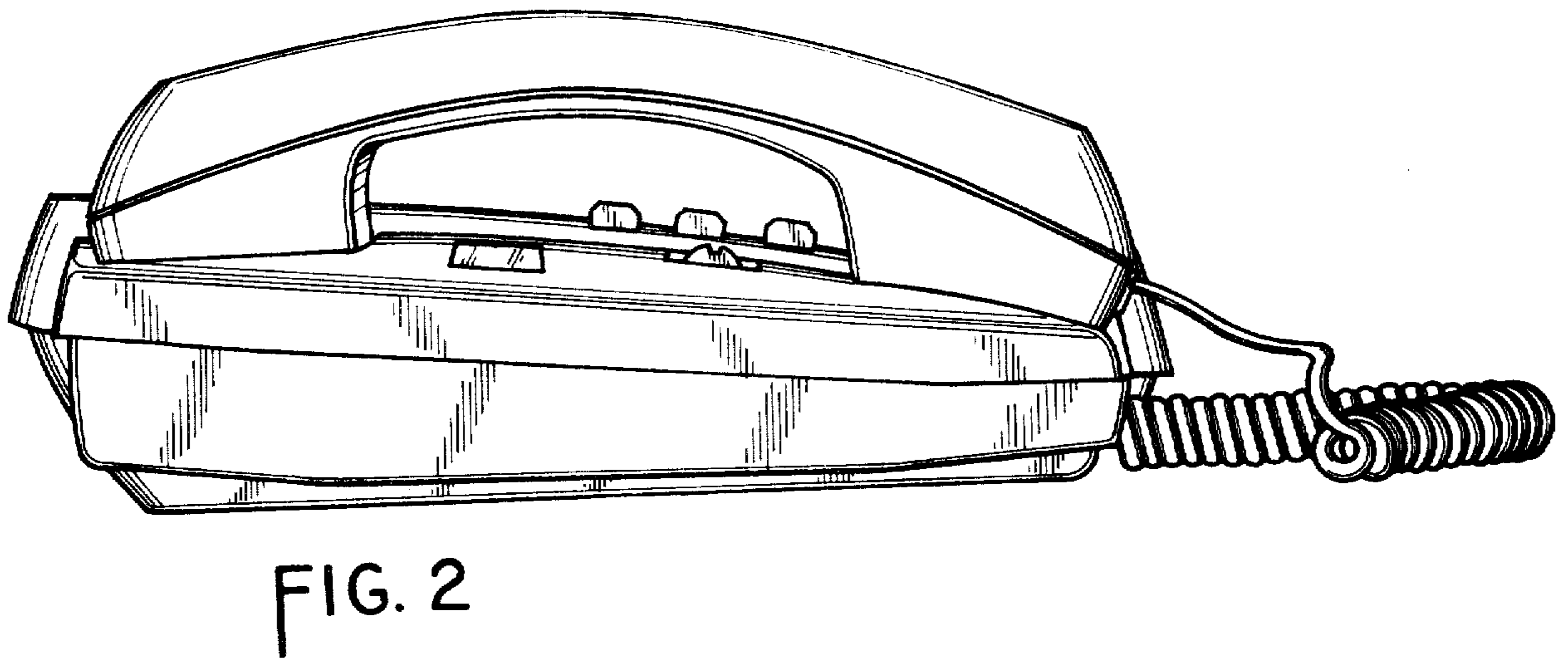
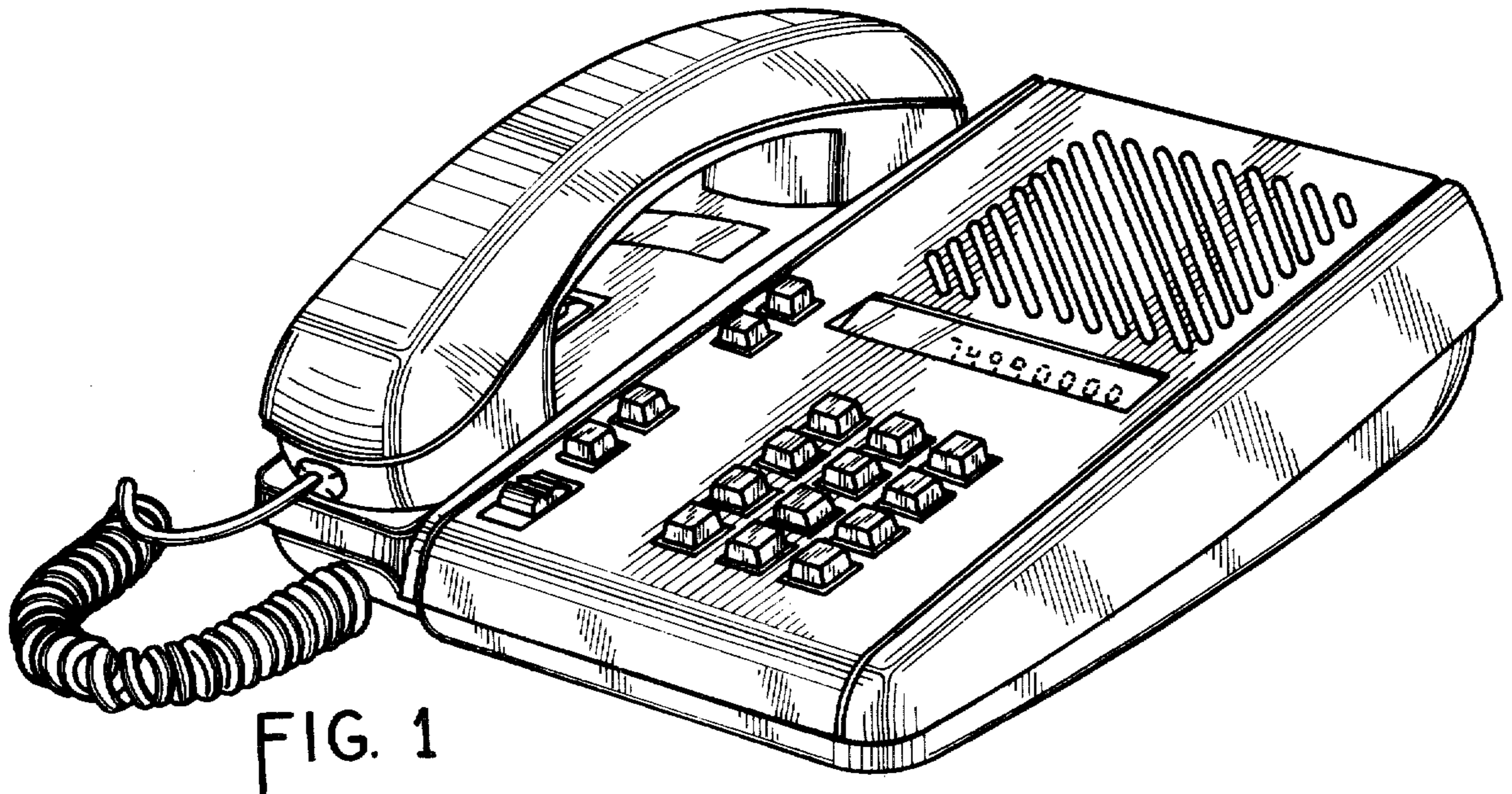
D. 251,844	5/1979	Krämer	D14/58
D. 256,917	9/1980	DeFilippis et al.	D14/58 X
D. 260,643	9/1981	Foggia et al.	D14/53 X
D. 261,139	10/1981	Jokobsen	D14/53
3,243,517	3/1966	Miller et al.	179/179 X
3,881,071	4/1975	Willis et al.	179/179

Primary Examiner—Bernard Ansher
Attorney, Agent, or Firm—Hane, Roberts, Spiecens & Cohen

[57] **CLAIM**
The ornamental design for a telephone instrument, as shown.

DESCRIPTION
FIG. 1 is a top perspective view of a telephone instrument showing my new design; FIG. 2 is a side elevation thereof; and FIG. 3 is a rear elevation thereof.





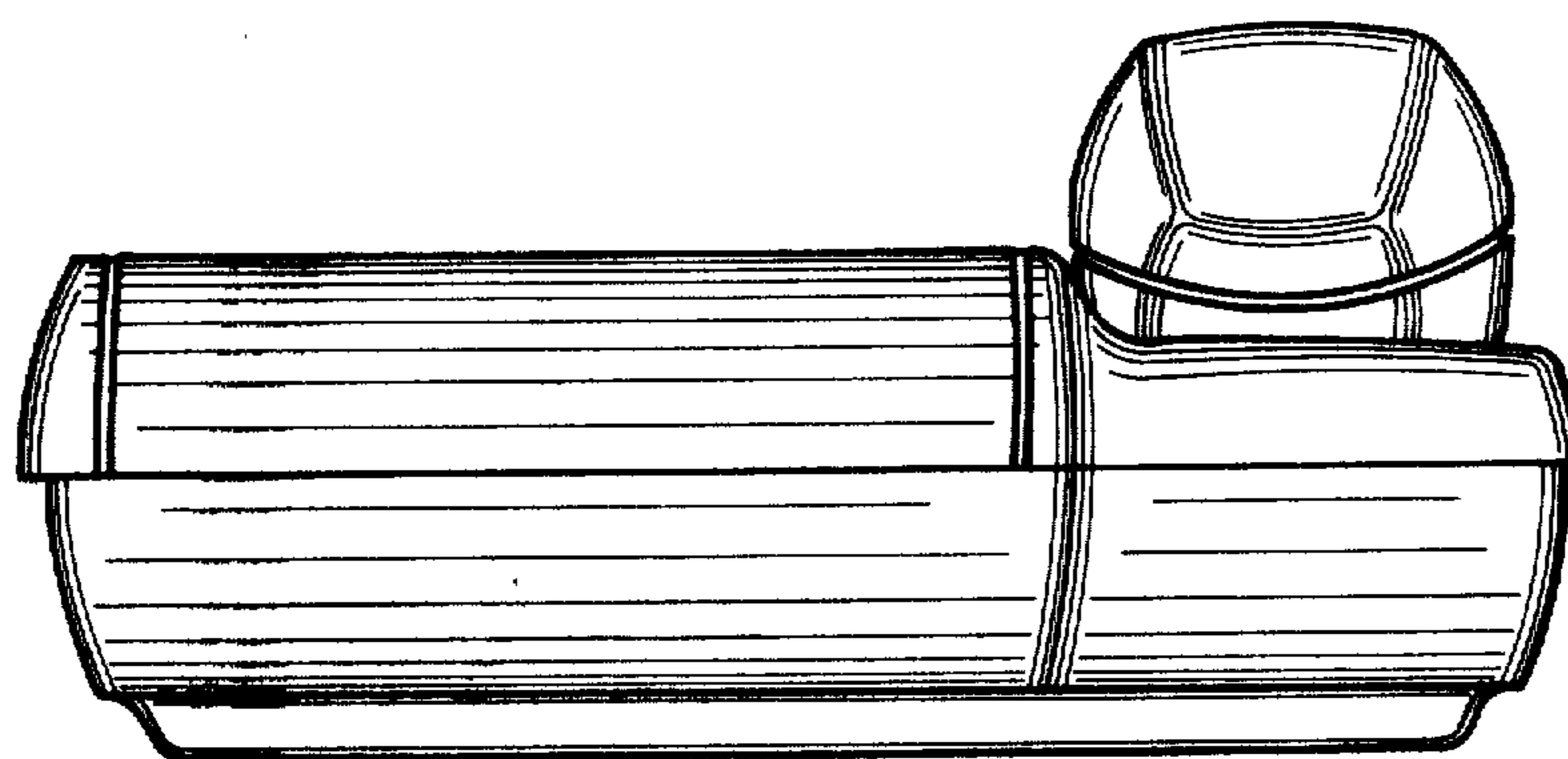


FIG. 3