

[54] **ELECTRICAL PLUG OR SOCKET COVER**

[75] **Inventor:** George Cousins, Lower Sackville, Canada

[73] **Assignee:** Cabco Research Ltd., Nova Scotia, Canada

[\*\*] **Term:** 14 Years

[21] **Appl. No.:** 273,286

[22] **Filed:** Jun. 15, 1981

[30] **Foreign Application Priority Data**

Apr. 7, 1981 [CA] Canada ..... 07-0481-6

[52] **U.S. Cl.** ..... D13/24; D13/28; D13/30

[58] **Field of Search** ..... D13/24, 27-31; 339/49, 74, 91 R, 92, 103, 103 M, 152, 206, 207, 208, 210, 196, 1 R

[56]

**References Cited**

**U.S. PATENT DOCUMENTS**

D. 236,732	9/1975	Cole .....	D13/28
D. 252,269	7/1979	Jonsson .....	D13/24
2,959,763	11/1960	Lippel .....	339/105 X
3,718,889	2/1973	Bartlett .....	339/103 R

*Primary Examiner*—Susan J. Lucas

*Attorney, Agent, or Firm*—Beveridge, Degrandi & Kline

[57]

**CLAIM**

The ornamental design for an electrical connector, as shown and described.

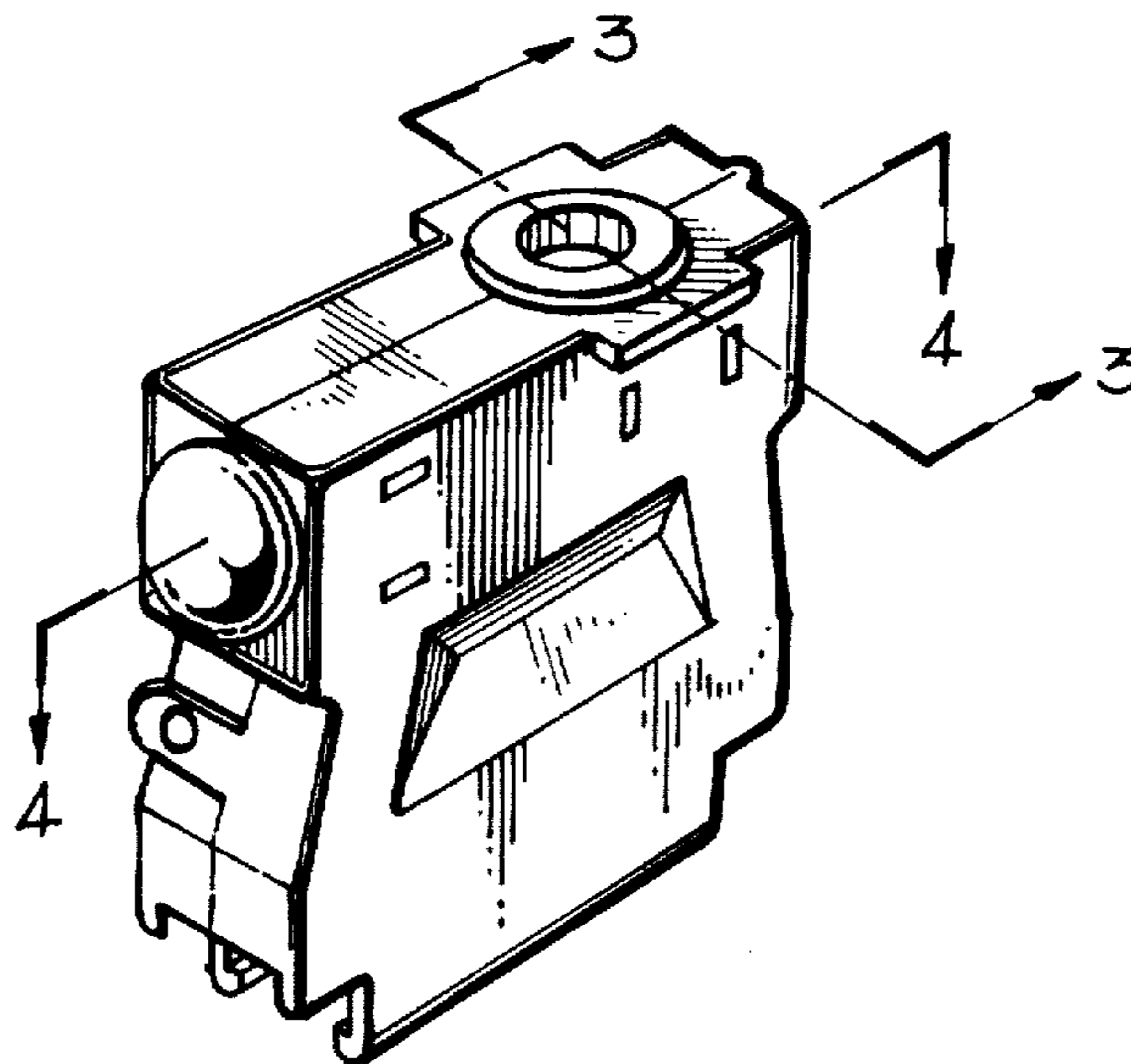
**DESCRIPTION**

FIG. 1 is a top front perspective view of an electrical connector showing my new design;

FIG. 2 is a bottom rear perspective view thereof;

FIG. 3 is a cross sectional view taken on line 3—3 of FIG. 1; and

FIG. 4 is a cross sectional view taken on line 4—4 of FIG. 1.



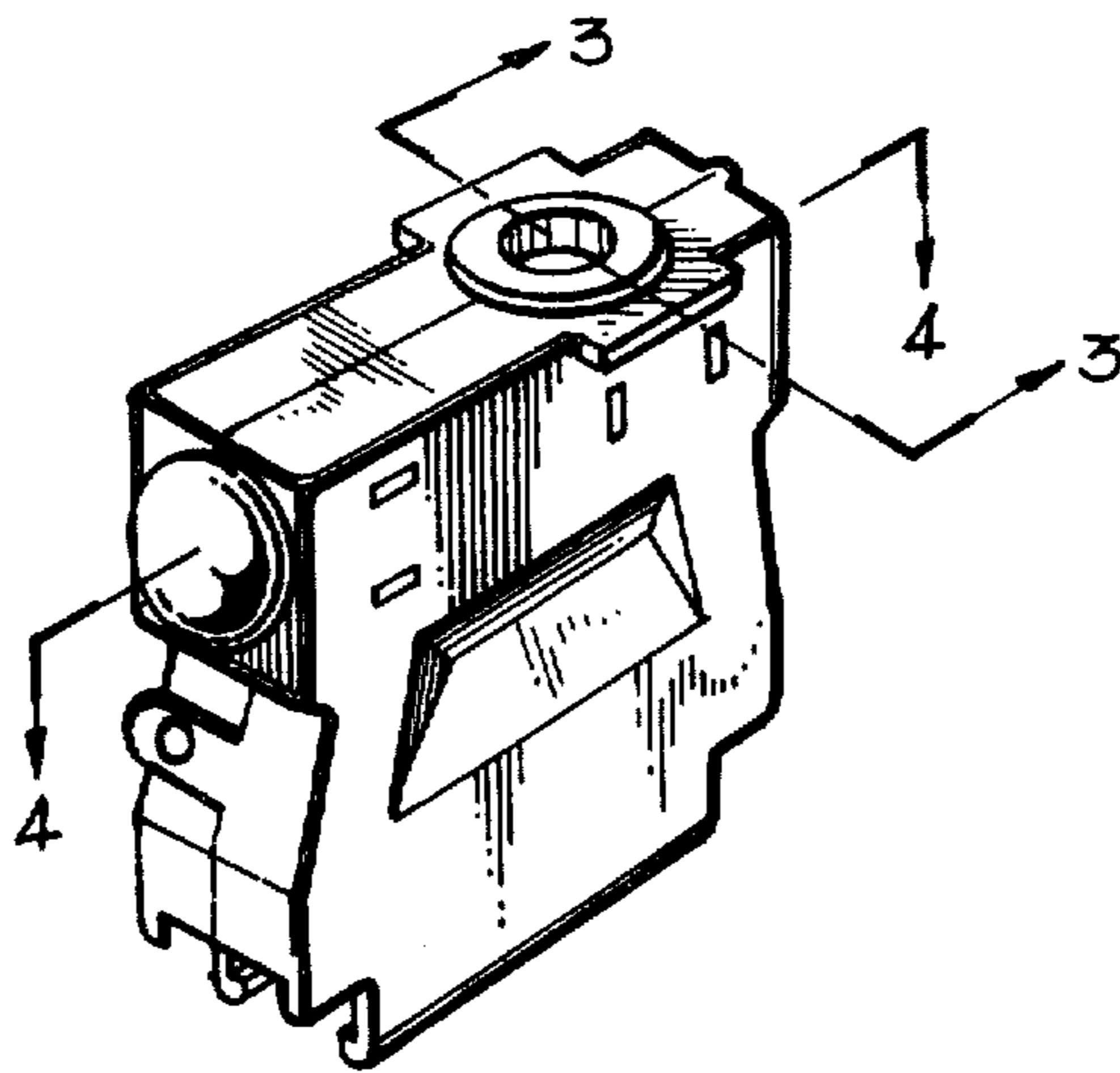


Fig. 1

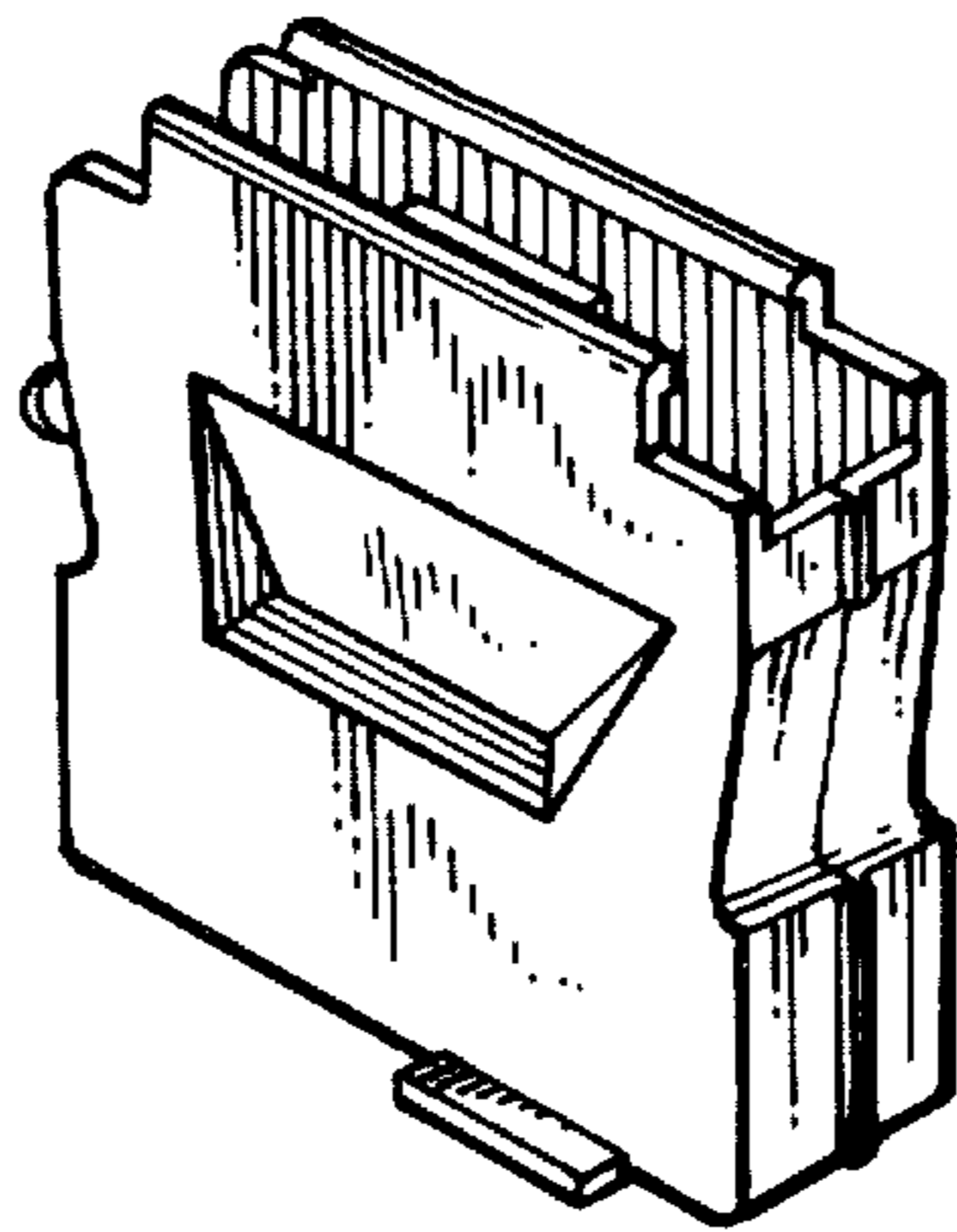
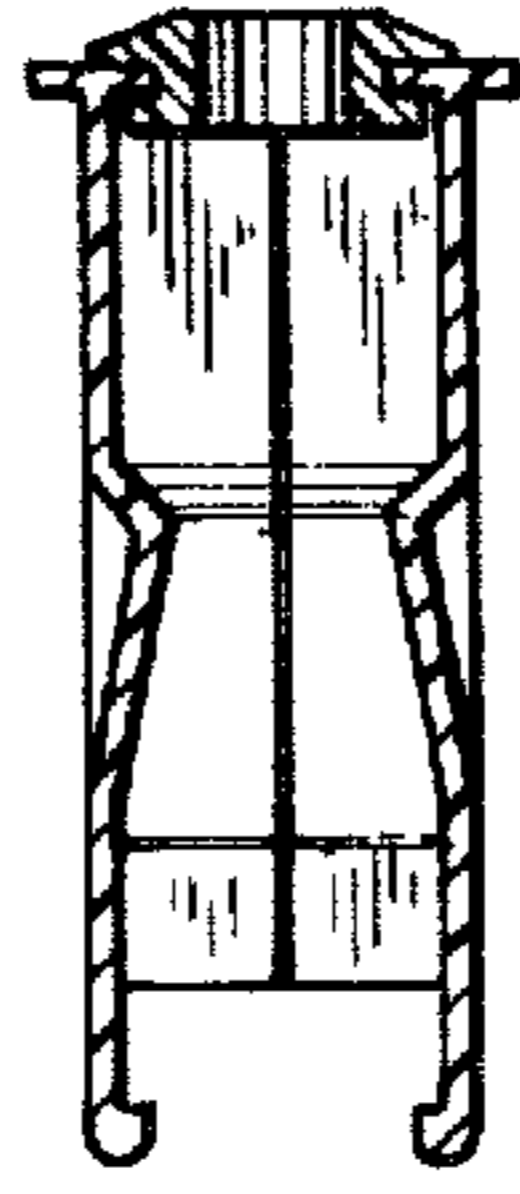
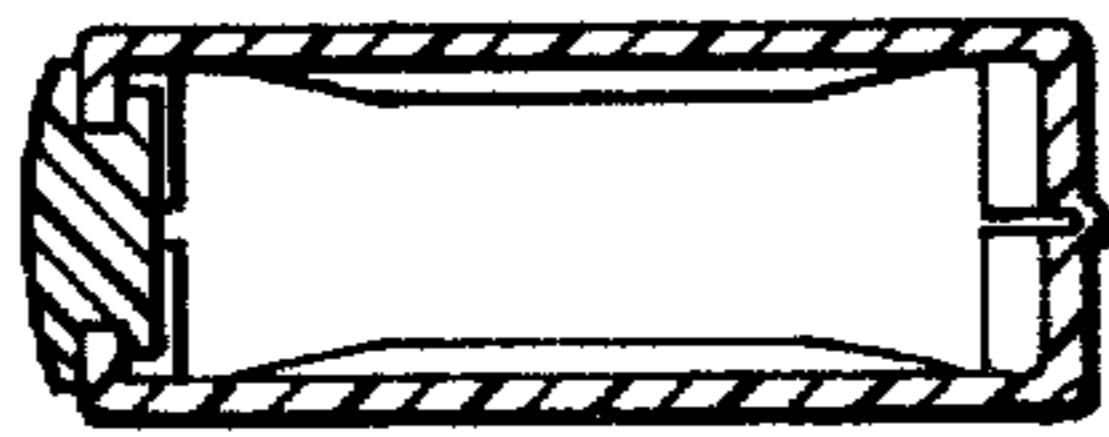


Fig. 2



*~Fig~3~*



*~Fig~4~*