

[54] **POWER ASSISTED BICYCLE**

[75] Inventor: **William H. Ziegler, Bedford, Pa.**

[73] Assignee: **Brown Group Recreational Products, Inc., Bedford, Pa.**

[\*\*] Term: **14 Years**

[21] Appl. No.: **282,097**

[22] Filed: **Jul. 10, 1981**

[52] U.S. Cl. .... **D12/111**

[58] Field of Search ..... **D12/110, 111; 180/220, 180/211**

[56] **References Cited**

**U.S. PATENT DOCUMENTS**

- D. 149,244 4/1948 Bashaw et al. .... D12/111
- D. 253,102 10/1979 Hahn ..... D12/110

**OTHER PUBLICATIONS**

Cycle World, 2/80, p. 29, Headlight & Fairing of Kawasaki KDX 175.

Cycle World, 3/81, p. 57, Fairing on Seca 550.

*Primary Examiner*—James M. Gandy

*Attorney, Agent, or Firm*—Cesari and McKenna

[57] **CLAIM**

The ornamental design for a power assisted bicycle, substantially as shown and described.

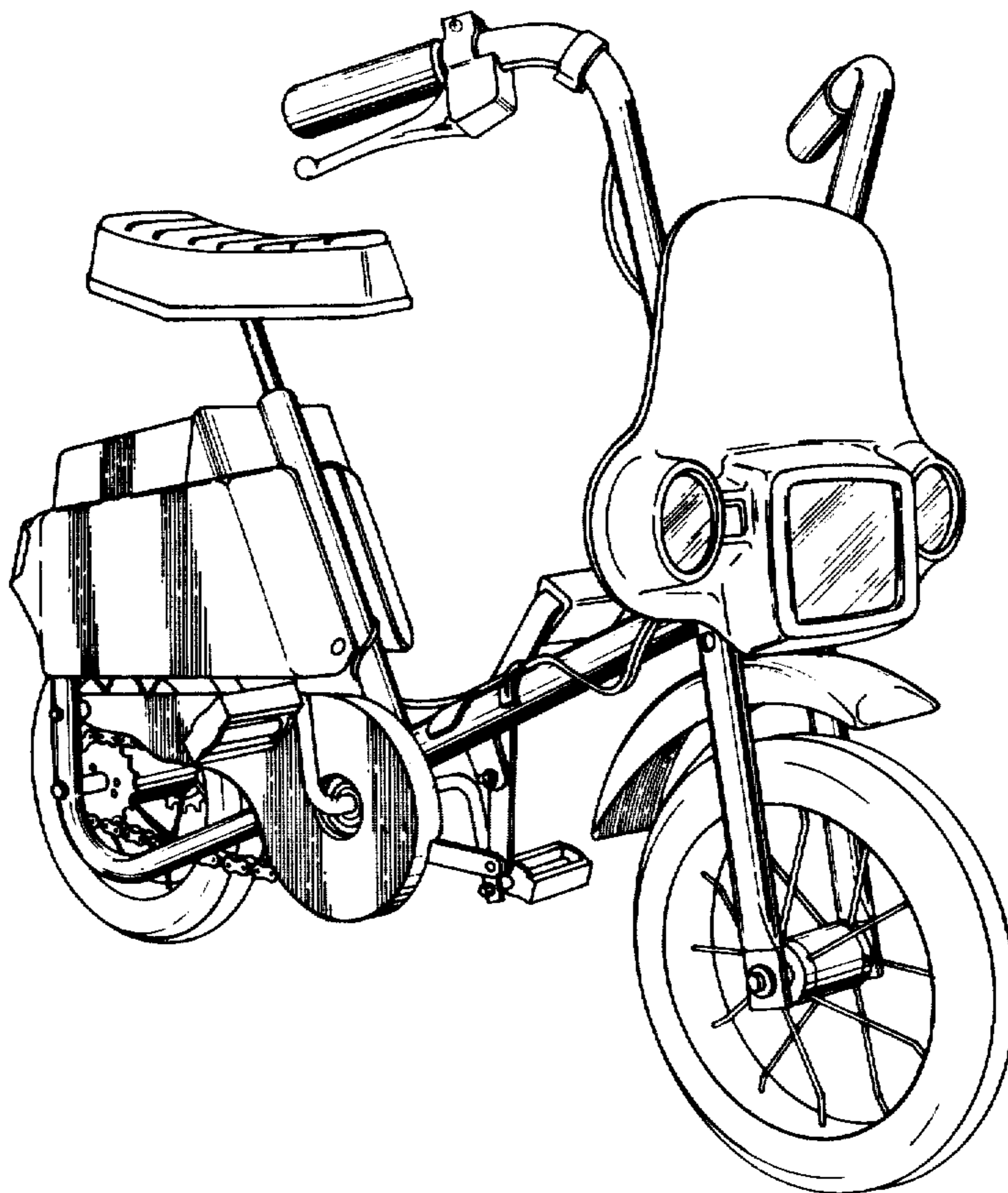
**DESCRIPTION**

FIG. 1 is a perspective view from the right side showing a power assisted bicycle embodying my new design; FIG. 2 is an elevational view showing the left side thereof;

FIG. 3 is a top plan view thereof;

FIG. 4 is a front elevational view thereof; and

FIG. 5 is a rear elevational view thereof.



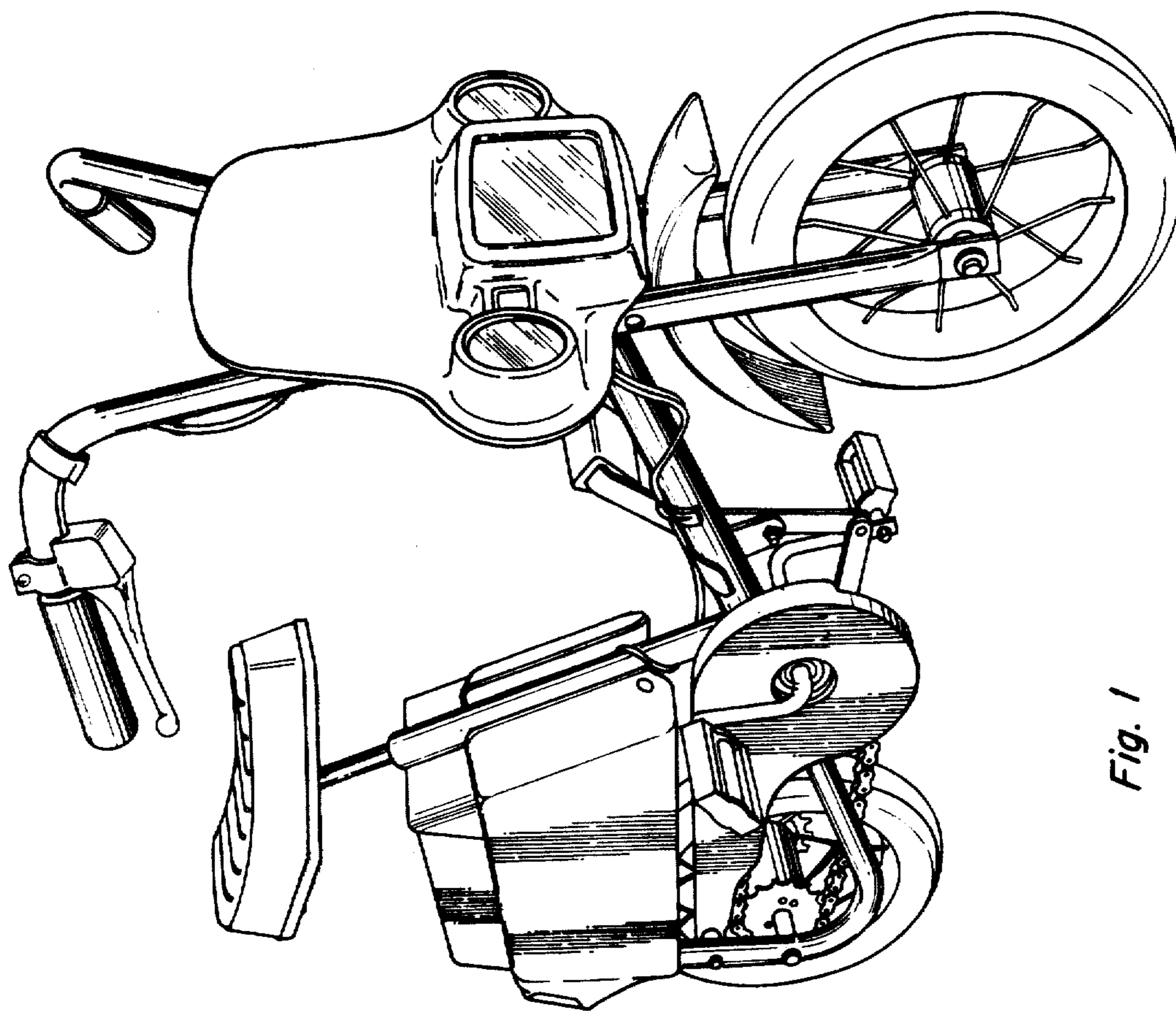


Fig. 1

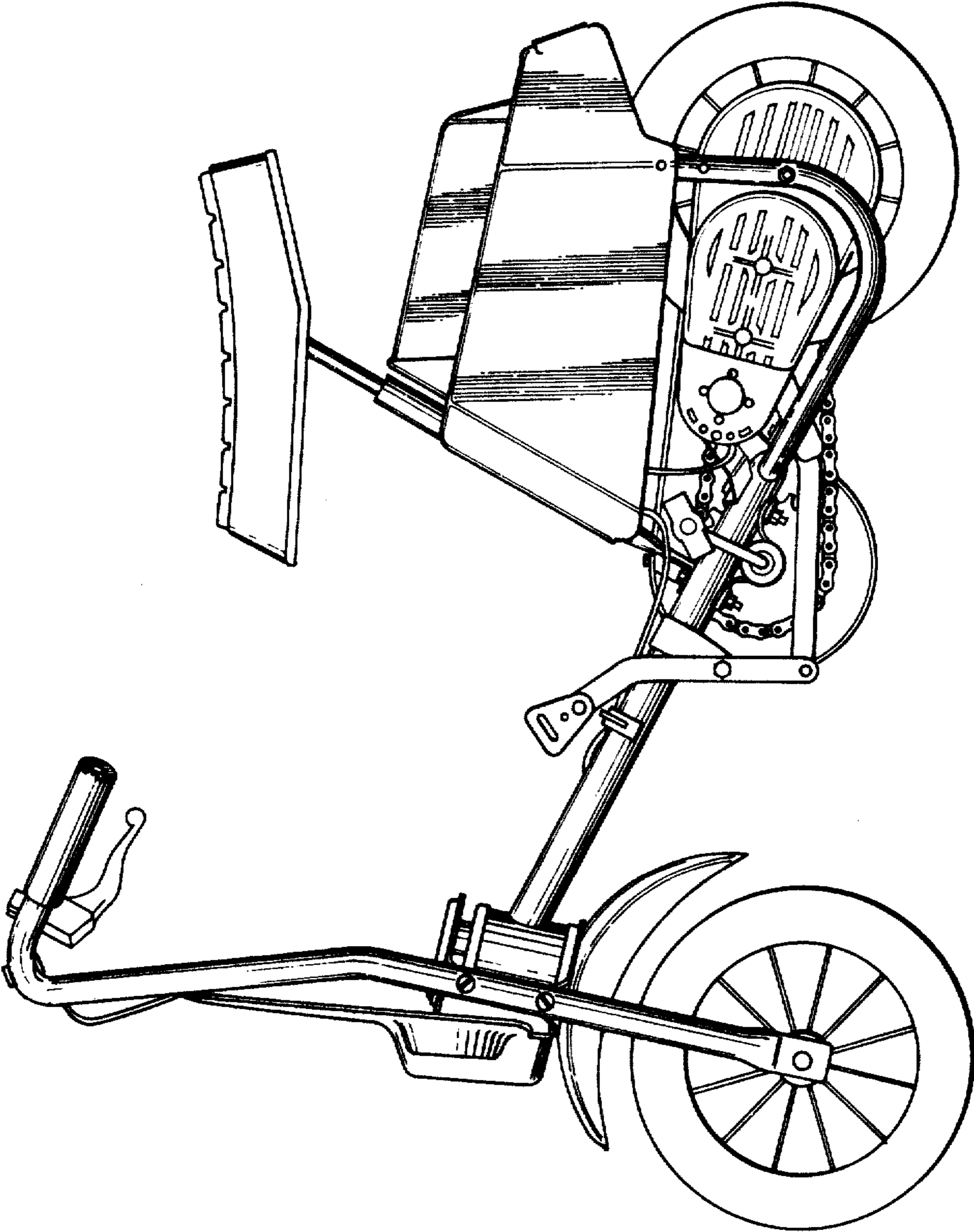
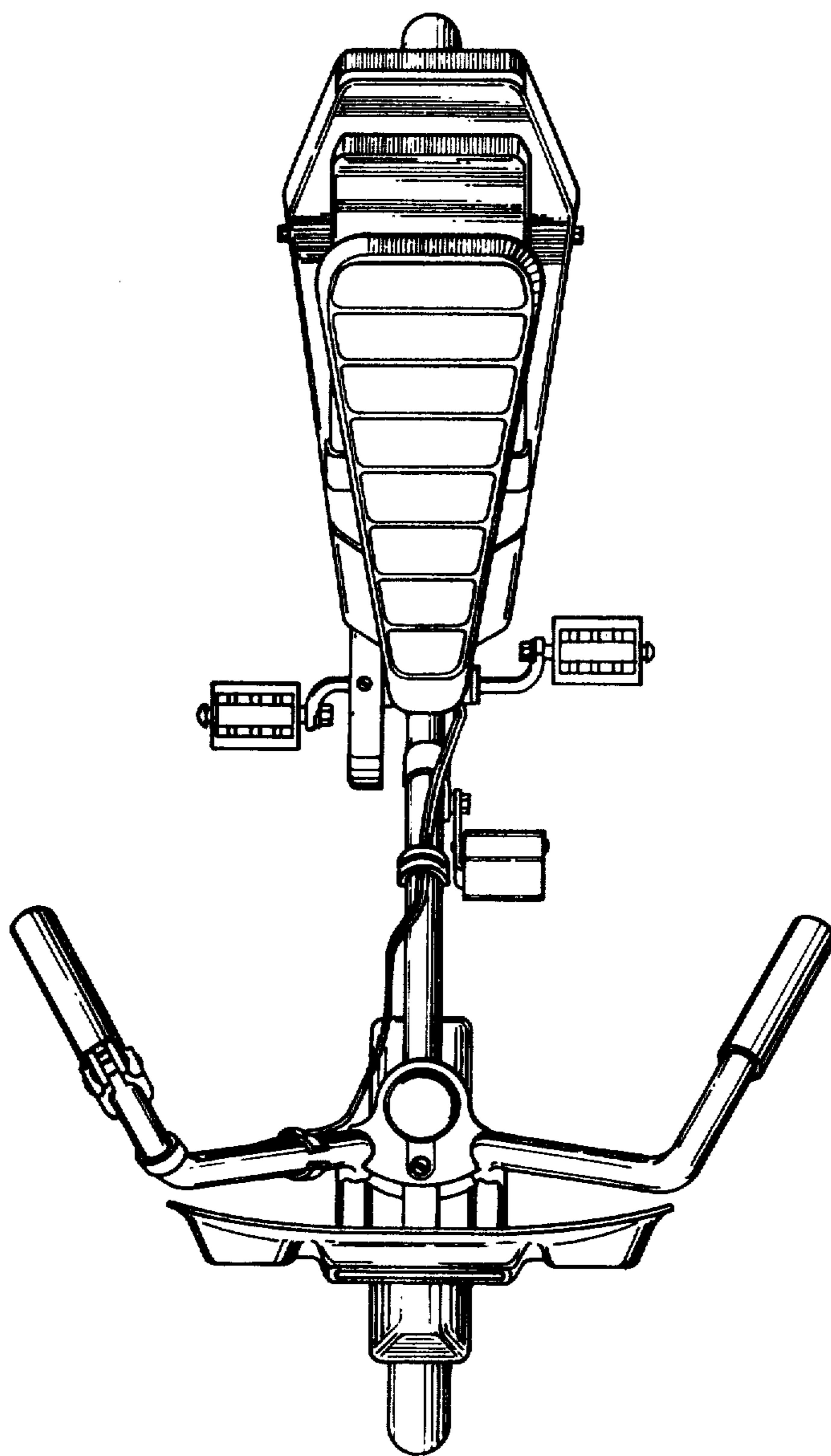
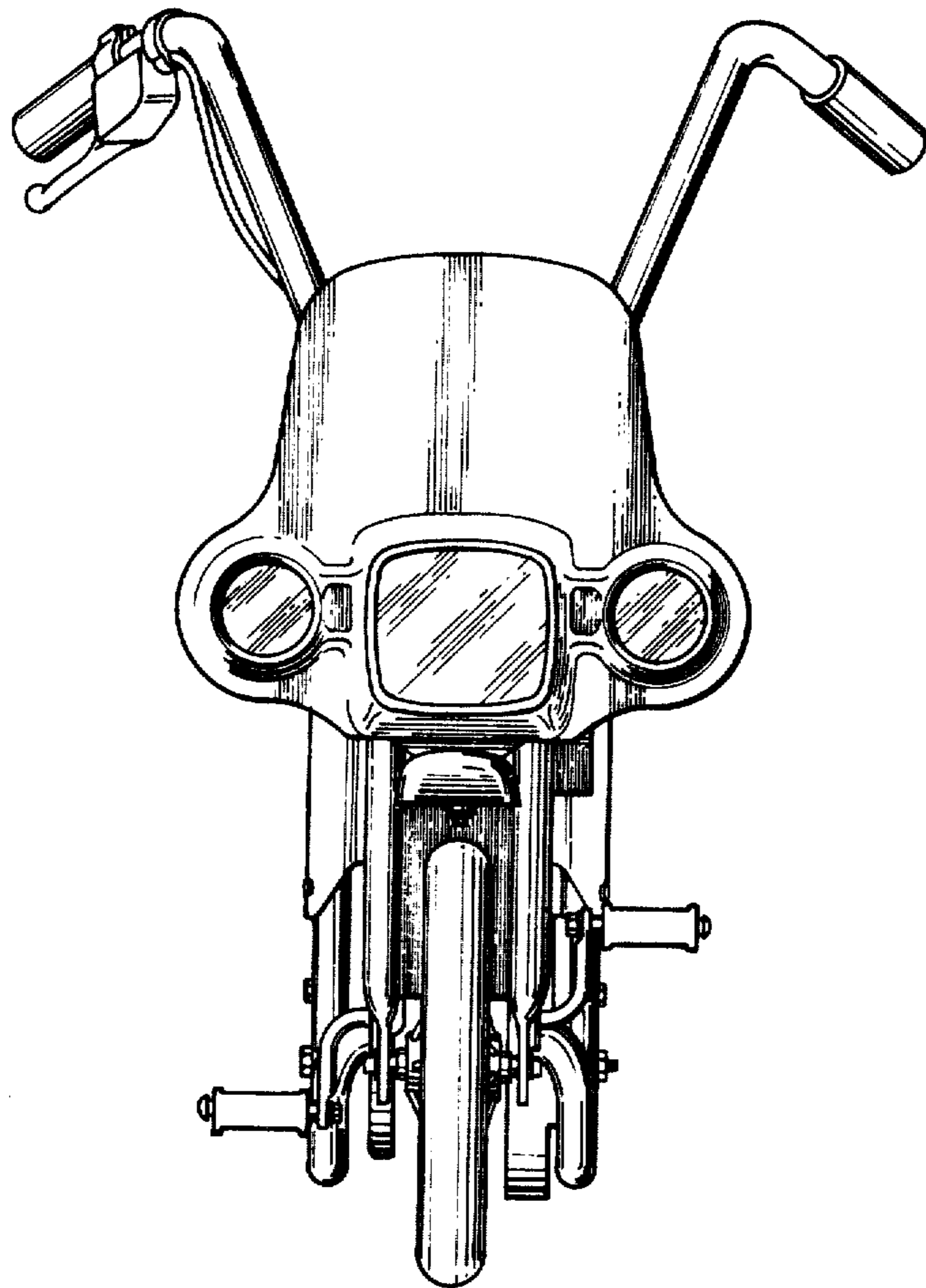


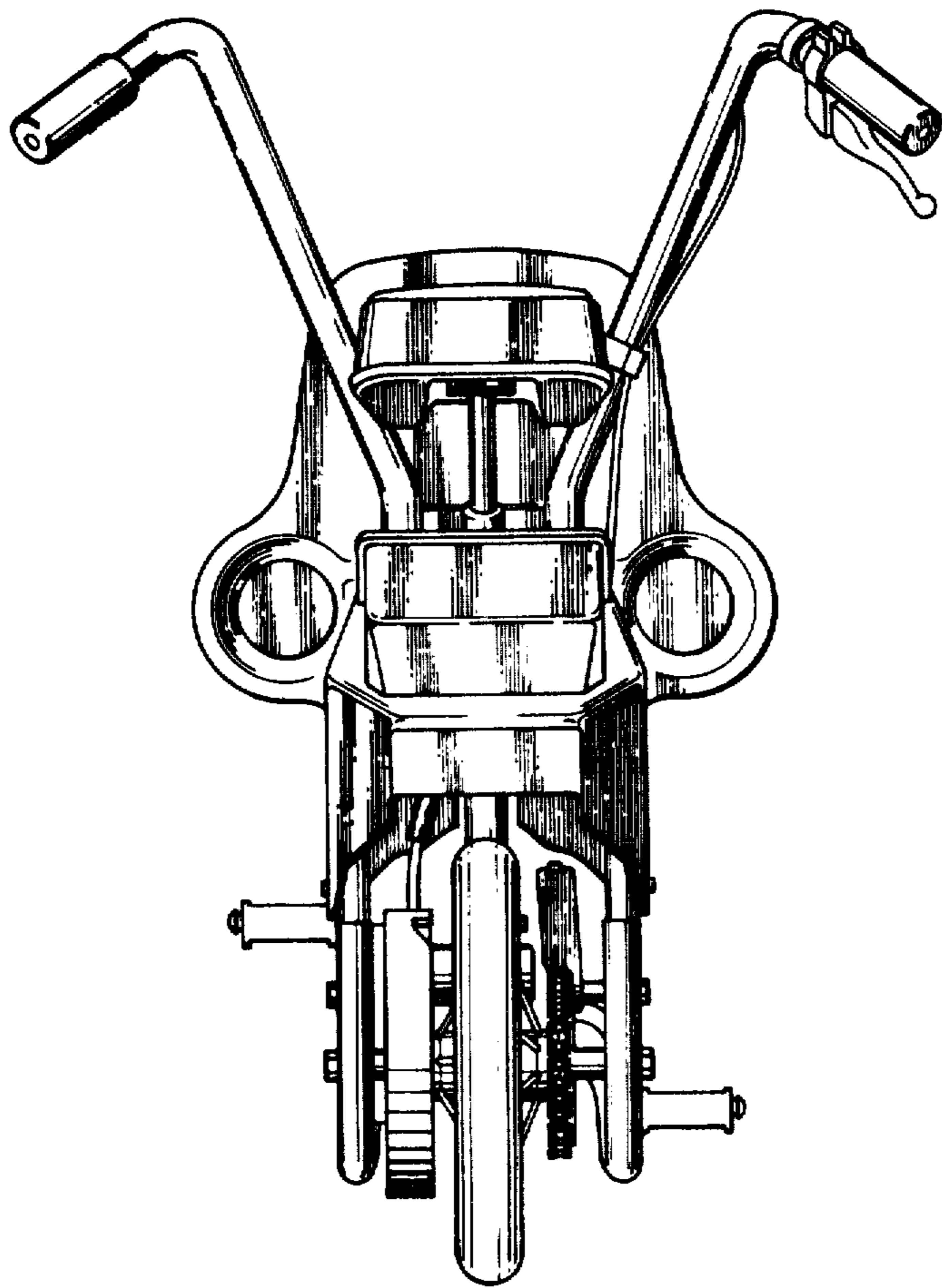
Fig. 2



*Fig. 3*



*Fig. 4*



*Fig. 5*