

[54] TRAILER

[76] Inventor: **Kevin E. Koch**, 47 Kinkaid Ave.,
North Plympton, State of South
Australia, Australia

[**] Term: **14 Years**

[21] Appl. No.: **244,641**

[22] Filed: **Mar. 17, 1981**

[52] U.S. Cl. **D12/105**

[58] Field of Search **D12/105, 102, 103;**
280/29, 400, 63; 296/181

[56] **References Cited**

U.S. PATENT DOCUMENTS

D. 249,138 8/1978 Butler D12/105
D. 249,256 9/1978 Simoneau D12/103

Primary Examiner—James M. Gandy
Attorney, Agent, or Firm—Charles A. Blank

[57] **CLAIM**

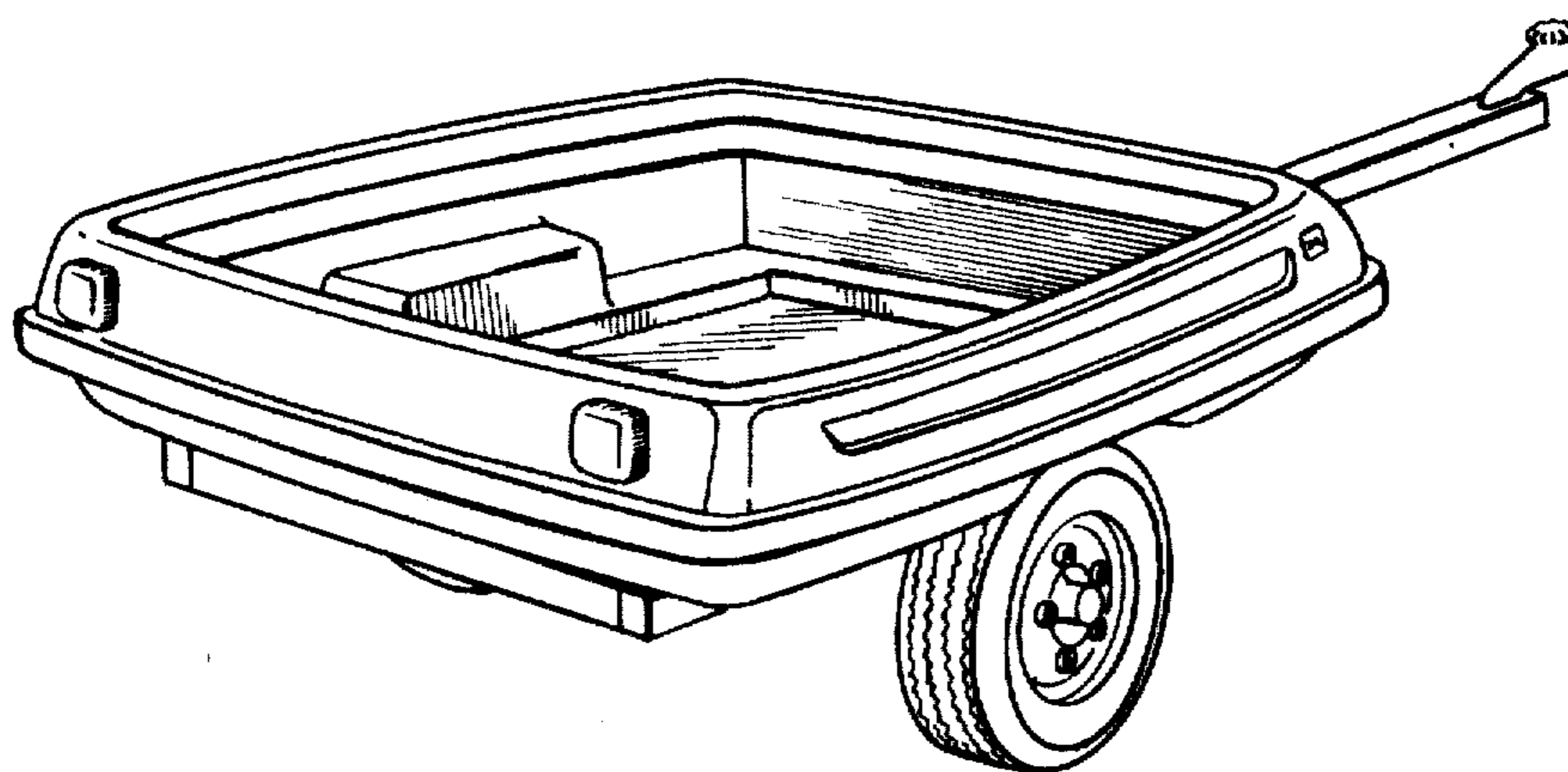
The ornamental design for a trailer, substantially as shown and described.

DESCRIPTION

FIG. 1 is a rear perspective view of a trailer showing my new design;

FIG. 2 is a fragmentary top perspective view showing the interior bed thereof; and

FIG. 3 is a front perspective view thereof.



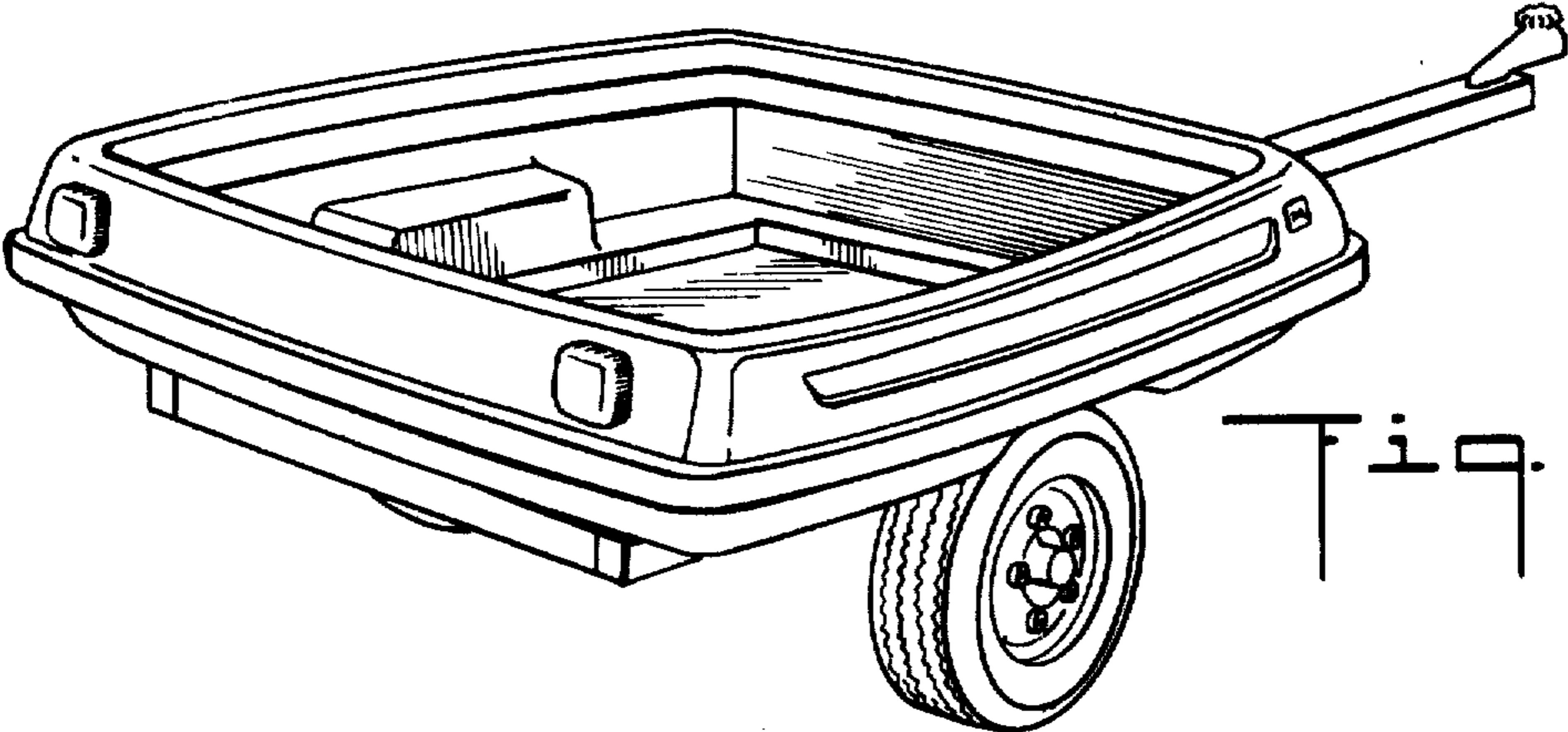


Fig. 1.

Fig. 2.

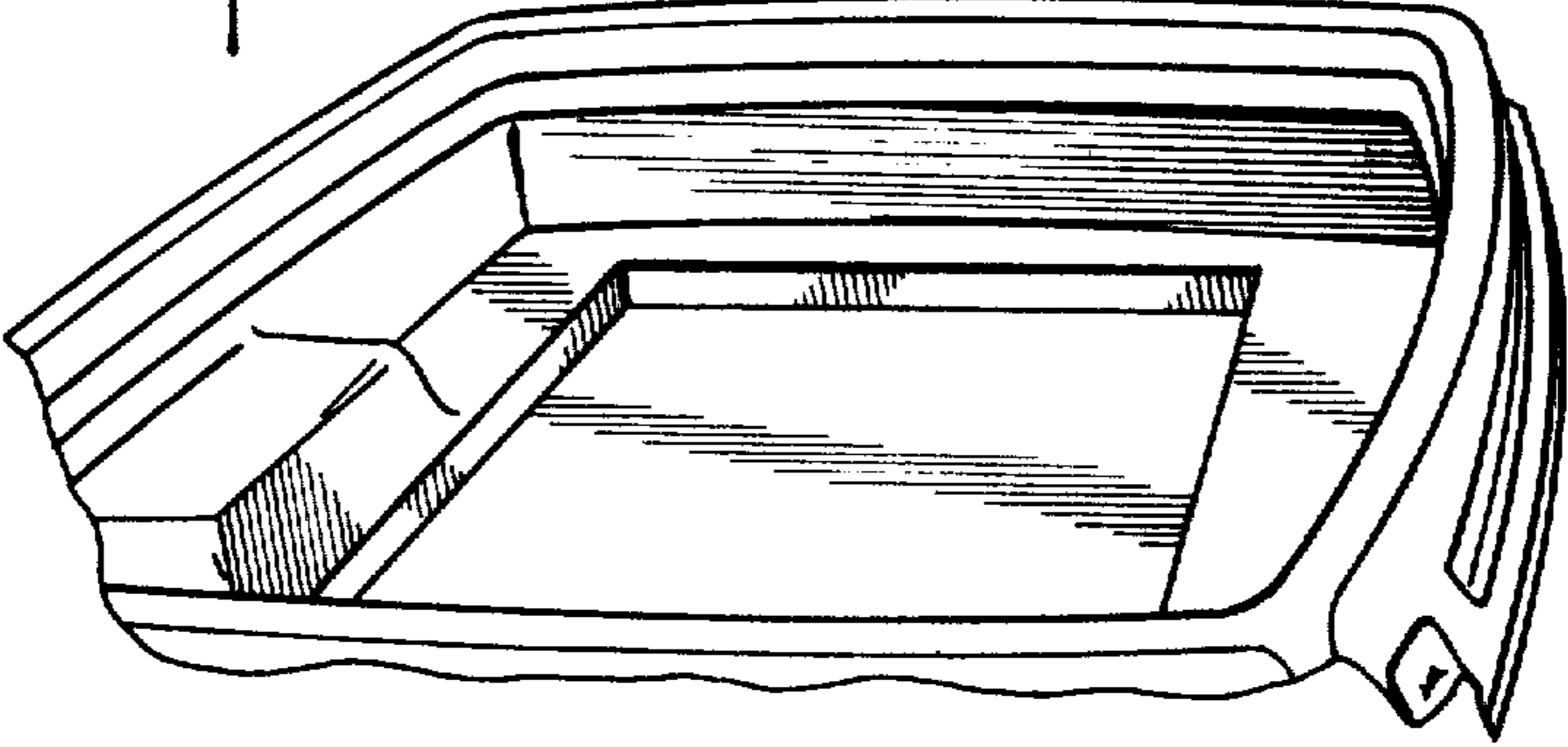


Fig. 3.

