

[54] VEGETABLE HOLDER

[75] Inventor: Franklin R. Anderson, Durham, N.C.

[73] Assignee: Custom Molders, Inc., Durham, N.C.

[**] Term: 14 Years

[21] Appl. No.: 321,082

[22] Filed: Nov. 13, 1981

[52] U.S. Cl. D8/395; D9/434

[58] Field of Search D8/349, 382, 383, 394, D8/395; D9/434, 455, 499; 24/30.5 R, 30.5 S, 255 R, DIG. 28, DIG. 29; 248/74.1

[56] References Cited

FOREIGN PATENT DOCUMENTS

1218932 6/1966 Fed. Rep. of Germany ... 24/30.5 S

OTHER PUBLICATIONS

Handbook of Designs & Devices by C. P. Hornung, ©1932; p. 111; Pattern 999.

Primary Examiner—B. J. Bullock
Attorney, Agent, or Firm—B. B. Olive

[57] CLAIM

The ornamental design for vegetable holder, substantially as shown and described.

DESCRIPTION

FIG. 1 is a top plan view of a vegetable holder embodying my new design.

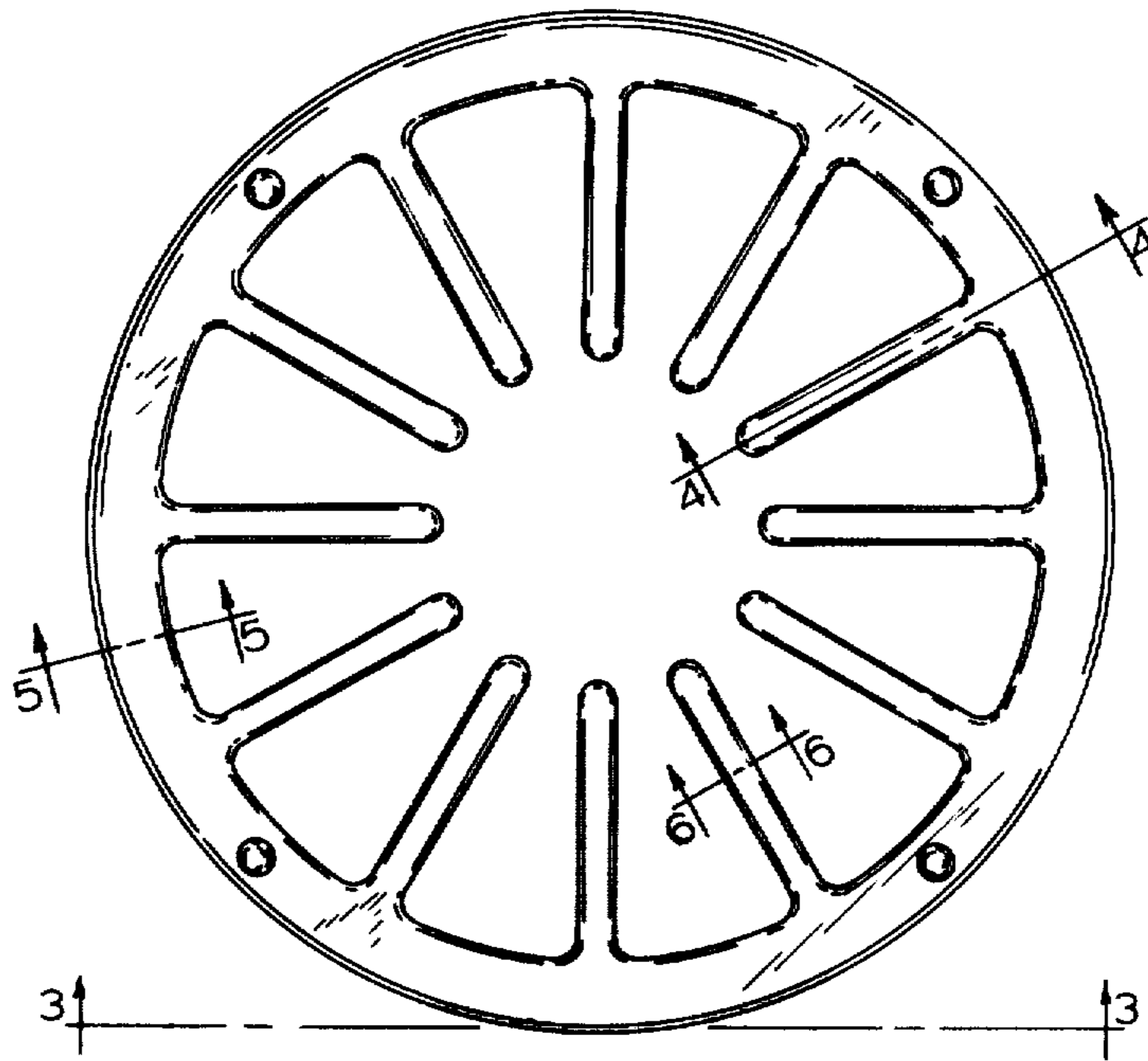
FIG. 2 is a bottom plan view thereof.

FIG. 3 is a side elevation view taken in the direction of the arrows on line 3—3 of FIG. 1.

FIG. 4 is an enlarged sectional view taken along line 4—4 of FIG. 1.

FIG. 5 is an enlarged sectional view taken along line 5—5 of FIG. 1.

FIG. 6 is an enlarged sectional view taken along line 6—6 of FIG. 1.



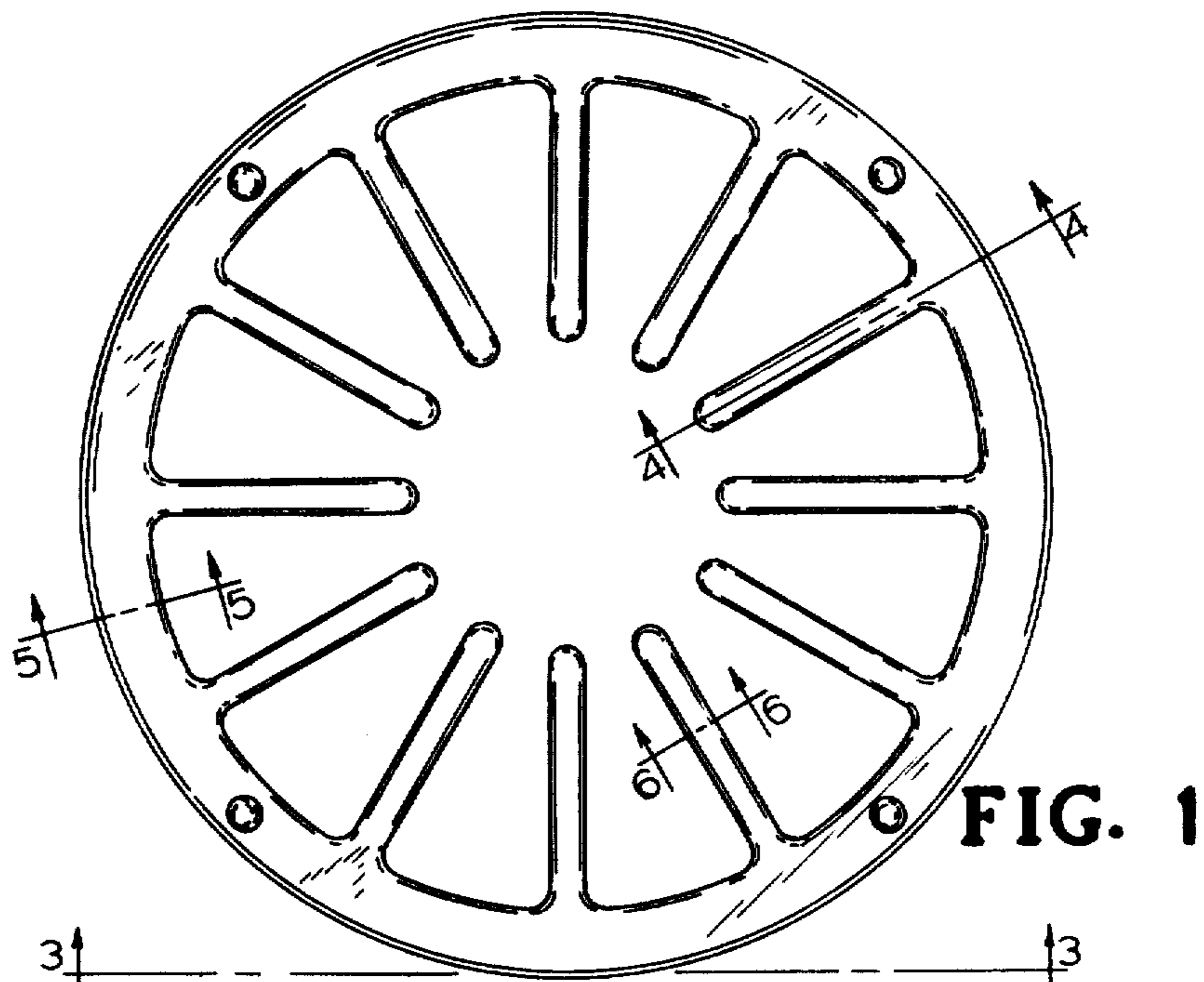


FIG. 3

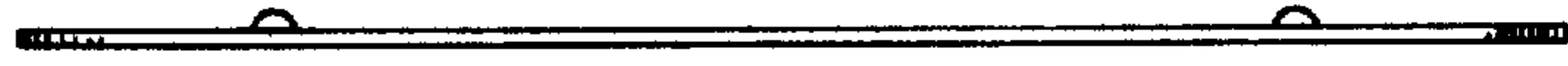


FIG. 4



FIG. 5

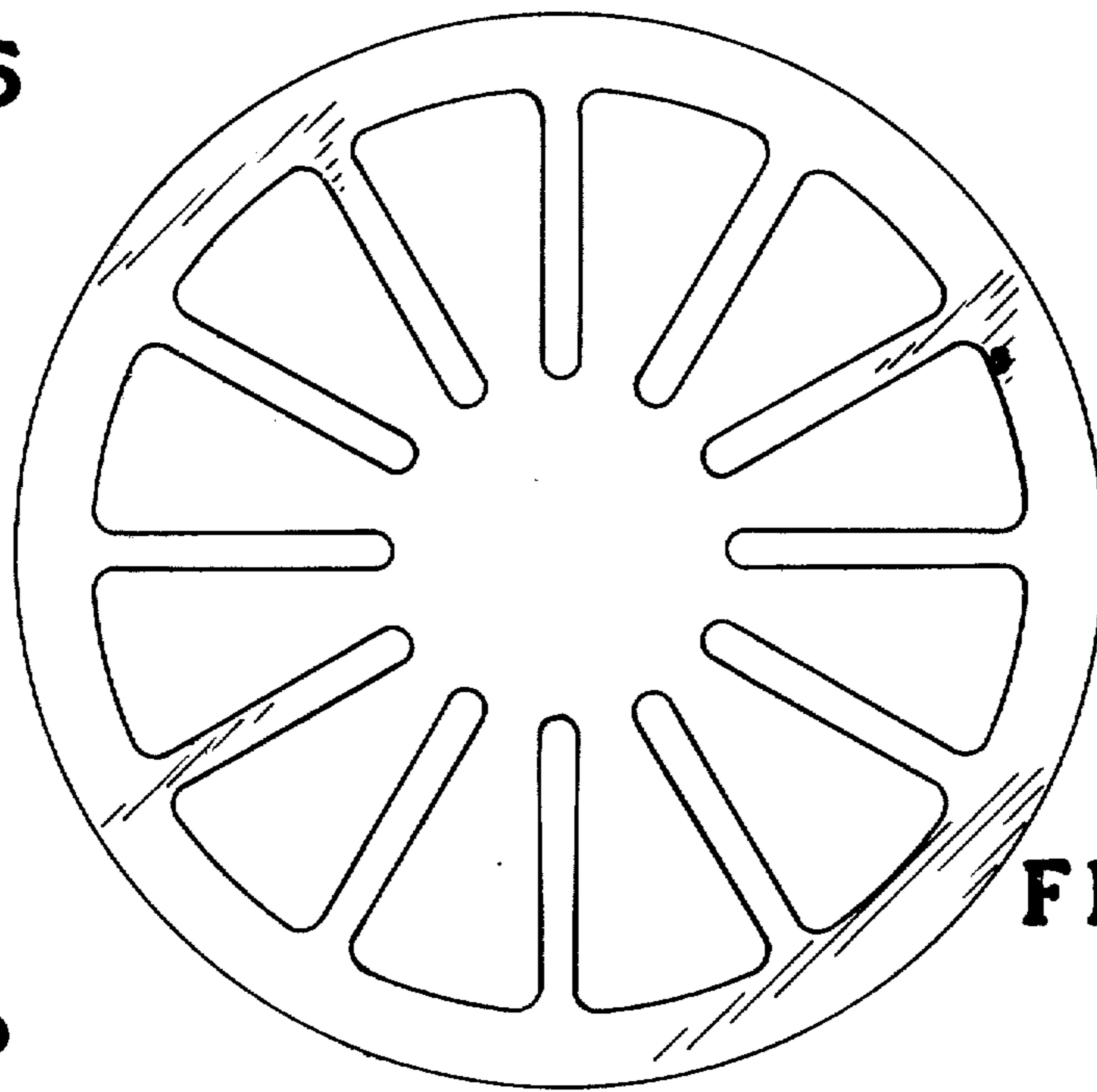


FIG. 2

FIG. 6

