

[54] **GEODESIC DOME CONNECTOR**

[76] Inventors: **Janet B. Johnson; Dennis O. Johnson,**
both of Rte. 3, Box 105D, North
Branch, Minn. 55056

[**] Term: **14 Years**

[21] Appl. No.: **292,952**

[22] Filed: **Aug. 14, 1981**

[52] U.S. Cl. **D8/382; D8/349;**
D8/354

[58] Field of Search **D8/349, 354, 382, 394,**
D8/400, 499; 825/13; 403/170, 173, 174; 52/81,
646, 648, DIG. 10

[56] **References Cited**

U.S. PATENT DOCUMENTS

2,854,103	9/1958	Kruger	403/173
3,186,522	6/1965	McCauley	189/1
3,323,820	6/1967	Braccini .	
3,486,278	12/1969	Woods .	
3,703,307	11/1972	Curtis	403/173
3,810,342	5/1974	Scott	52/758
3,844,074	10/1974	Ahern	52/81
3,844,664	10/1974	Hogan	403/171
3,978,634	9/1976	Mack et al.	52/646

3,992,118	11/1976	Siegers	403/171
4,099,888	7/1978	Simone	403/172
4,129,975	12/1978	Gabriel	52/648
4,203,265	5/1980	Ivers et al.	52/81
4,262,461	4/1981	Johnson	52/81

FOREIGN PATENT DOCUMENTS

2053228	5/1972	Fed. Rep. of Germany .
1171313	1/1959	France .
1300613	6/1962	France .
929862	6/1963	United Kingdom .

Primary Examiner—**B. J. Bullock**
Attorney, Agent, or Firm—**Schroeder, Siegfried, Vidas & Arrett**

[57] **CLAIM**

The ornamental design for a geodesic dome connector, as shown and described.

DESCRIPTION

FIG. 1 is a perspective view of a geodesic dome connector embodying our new design, the clip being shown in broken lines for illustrative purposes only; FIG. 2 is a top plan view thereof, the bottom plan identical; FIG. 3 is a side elevational view thereof.

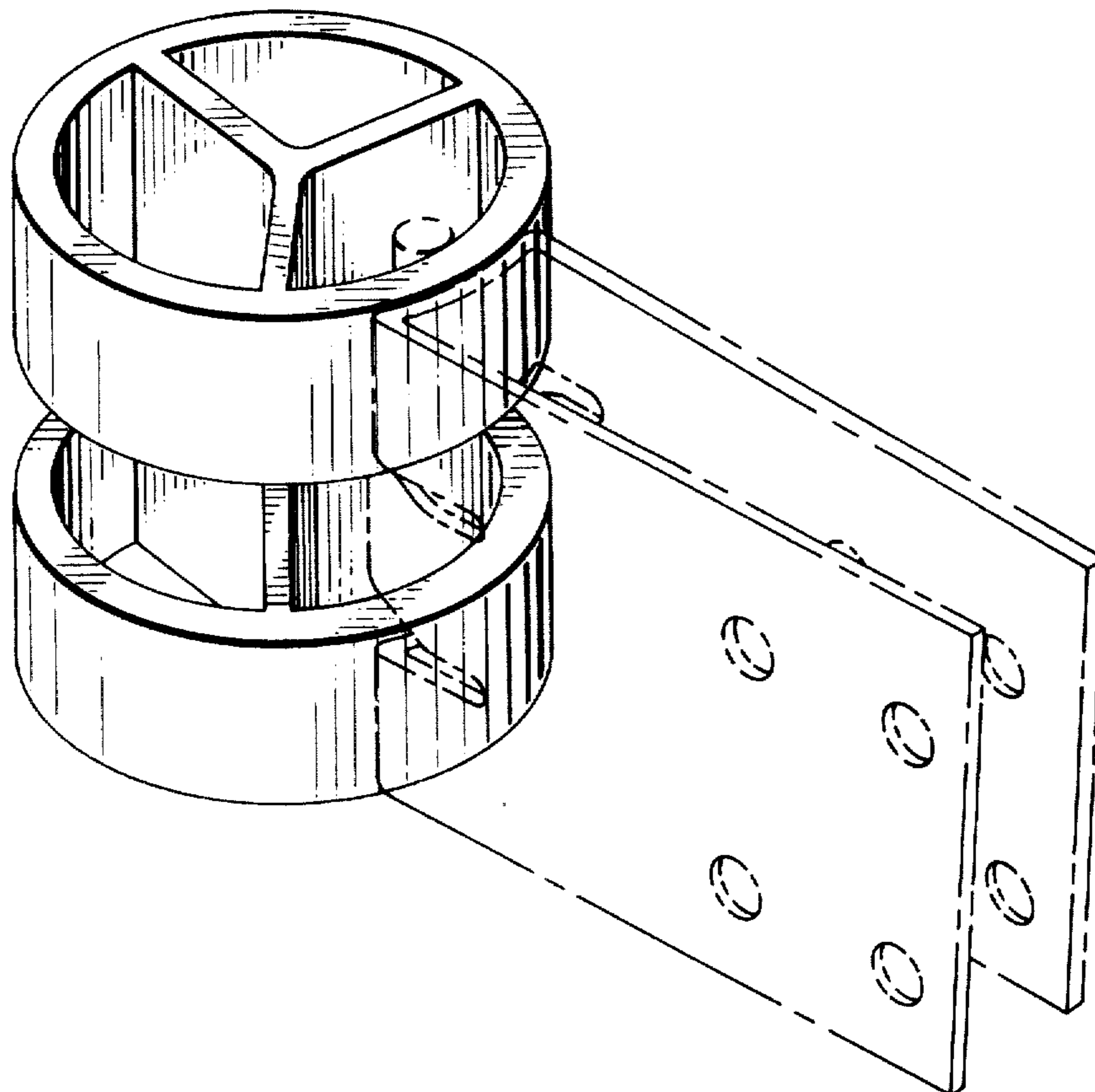


Fig. 1

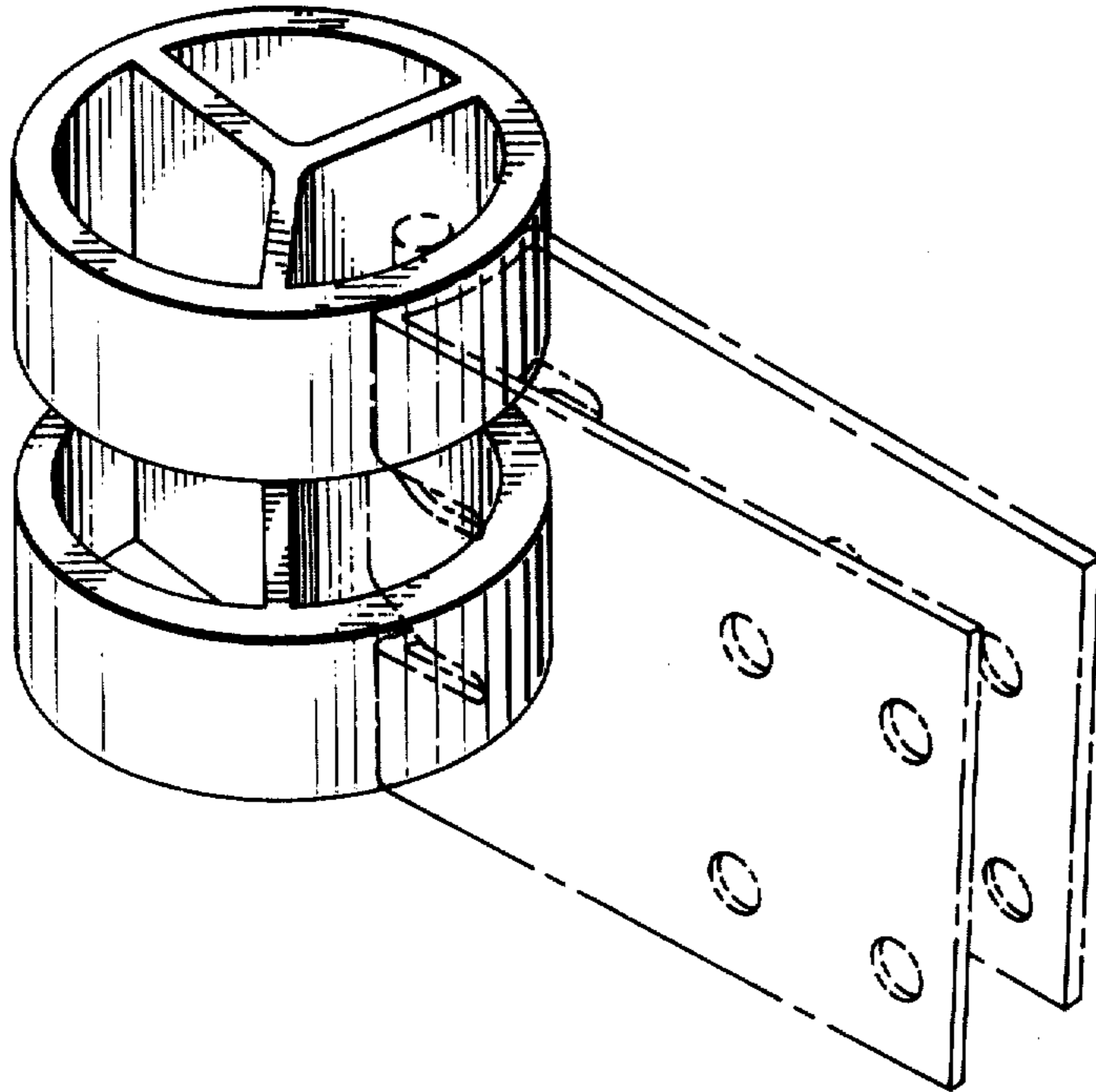


Fig. 2

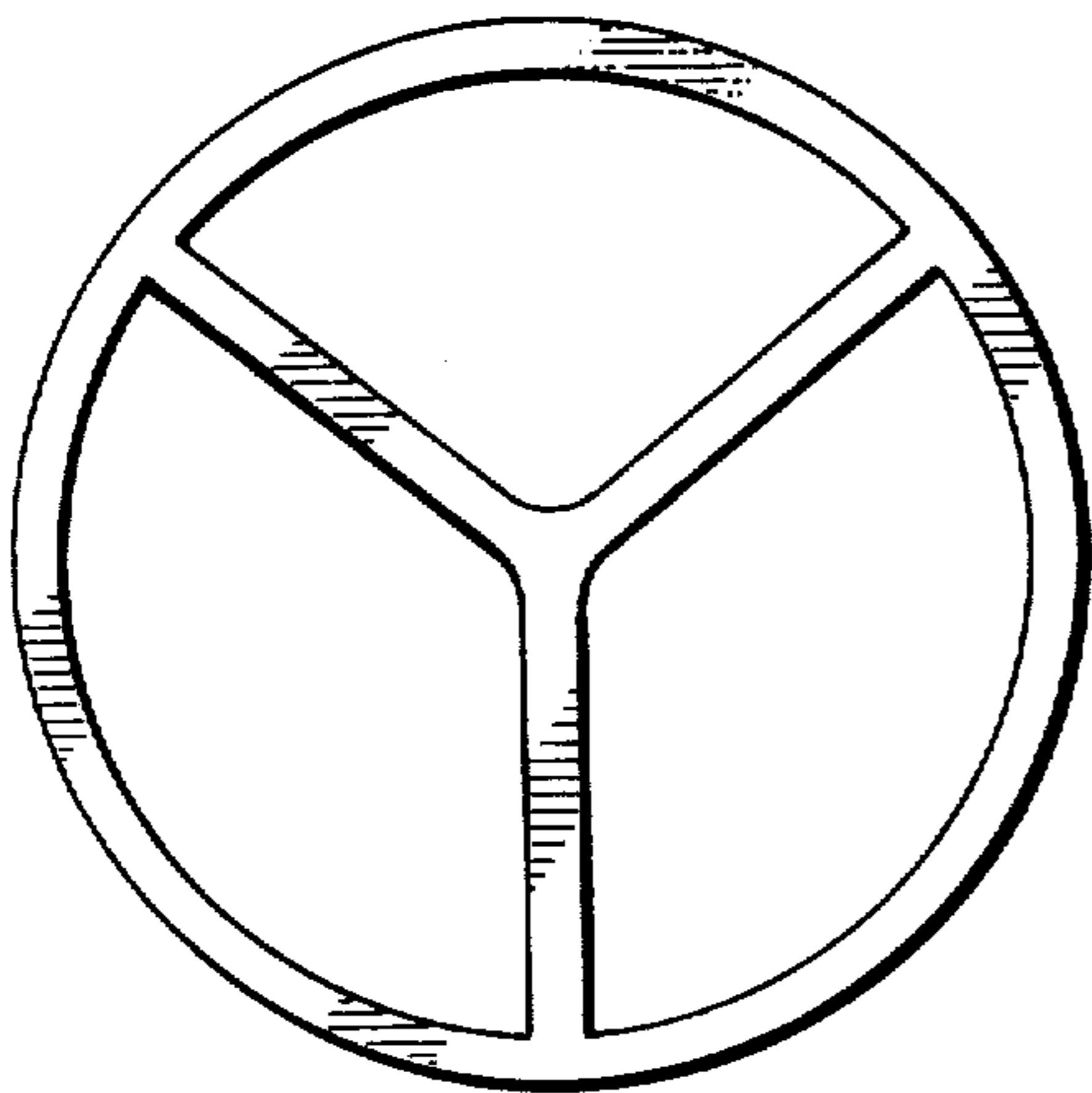


Fig. 3

