

[54] UNITARY WATER SKI ROPE HANDLE AND REEL

[76] Inventor: Neil F. Coleman, 2225 9th St. SE., Winter Haven, Fla. 33880

[**] Term: 14 Years

[21] Appl. No.: 295,563

[22] Filed: Aug. 24, 1981

[52] U.S. Cl. D8/358

[58] Field of Search D8/358, 359; 242/96, 242/85.1

[56] References Cited

U.S. PATENT DOCUMENTS

D. 132,614	6/1942	Johnson	D8/358
D. 202,118	8/1965	Finneman	D8/358
D. 217,429	5/1970	Parsons	D8/358
D. 218,959	10/1970	Hess	D8/358
D. 226,166	1/1973	Brinkman	D8/359
D. 264,806	6/1982	Russell	D8/358
3,042,337	7/1962	Dinneen	D8/358

3,174,702	3/1965	French	242/85.1
4,168,042	9/1974	Joe et al.	242/96
4,261,529	4/1981	Sandberg et al.	242/96
4,278,212	7/1981	Wesley	242/85.1

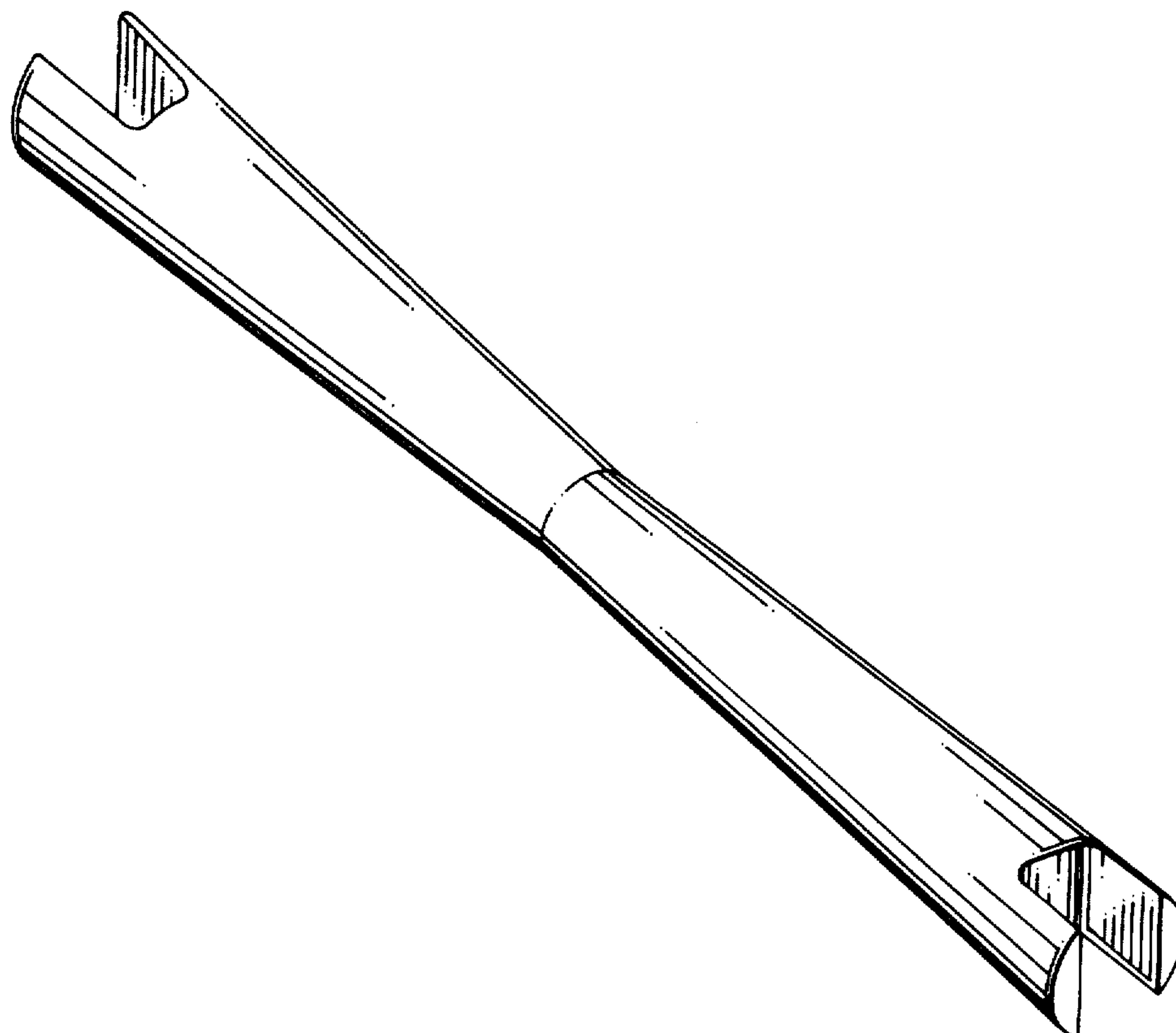
Primary Examiner—Wallace R. Burke
Assistant Examiner—Horace B. Fay
Attorney, Agent, or Firm—William M. Hobby, III

[57] CLAIM

The ornamental design for a unitary water ski rope handle and reel, as shown and described.

DESCRIPTION

FIG. 1 is a perspective view of a unitary water ski rope handle and reel showing my new design; FIG. 2 is an end elevation of one end thereof, and the end elevation of the other end is a mirror image of FIG. 2; and FIG. 3 is a side elevation thereof with one end portion being omitted for ease of illustration. Each end of the water ski rope handle is identical to the other end and the design is symmetrical so that opposite sides are identical.



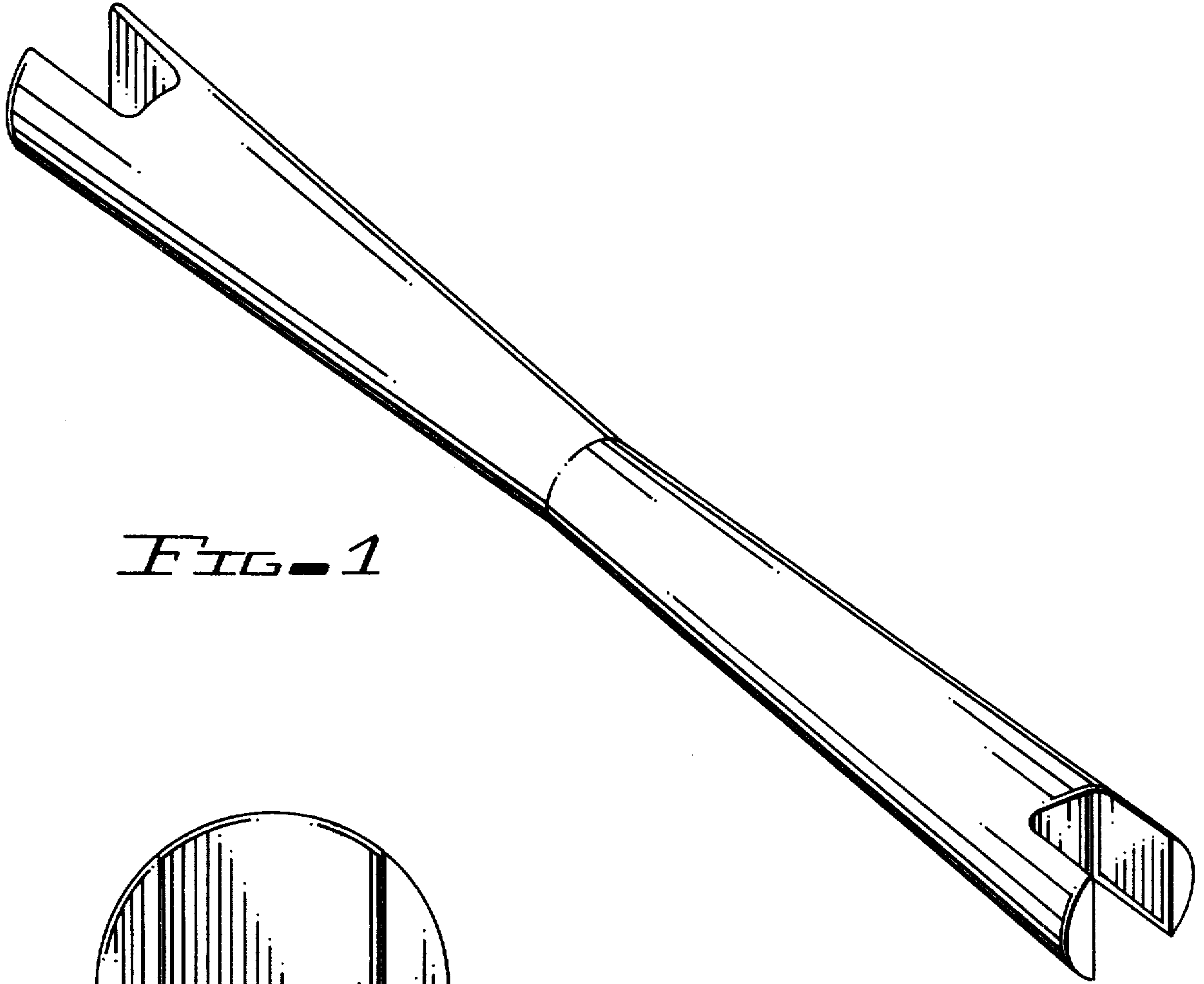


FIG. 1

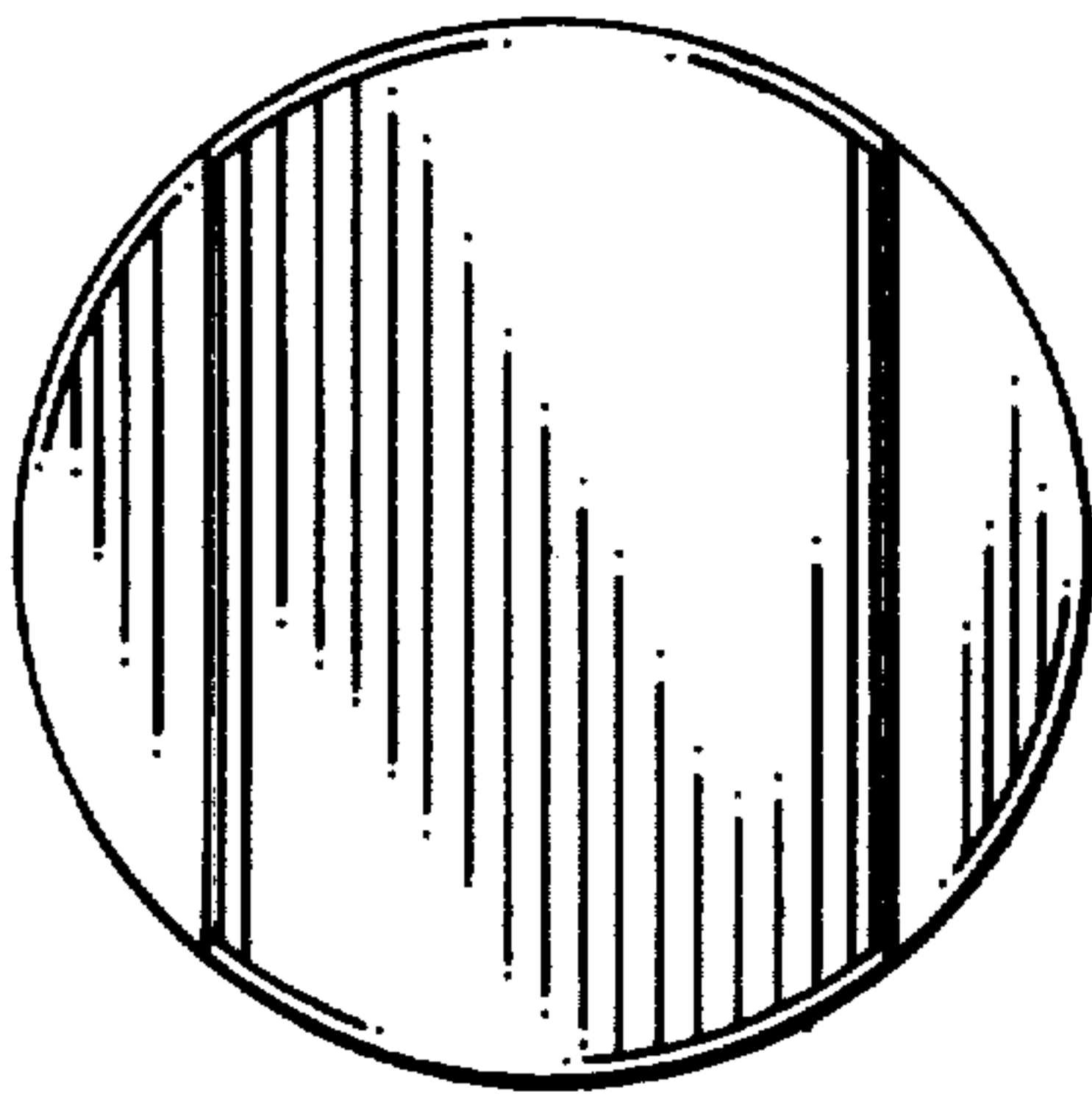


FIG. 2

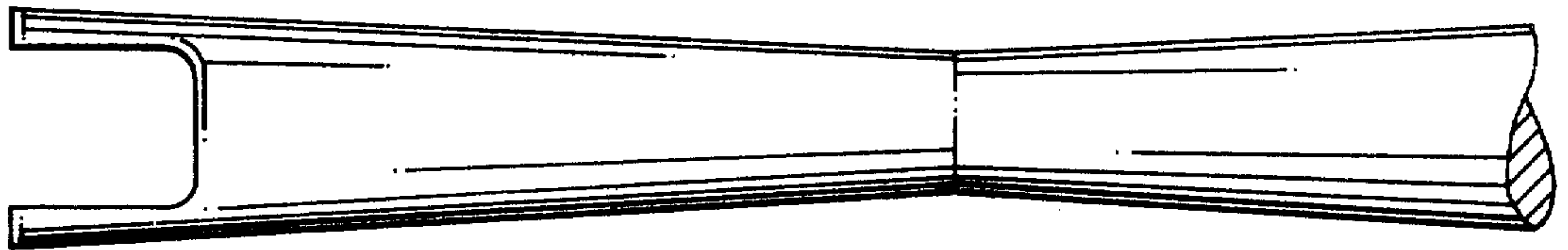


FIG. 3