

[54] ELECTRICAL OUTLET COVER PLATE AND CLOSURE THEREFOR

[75] Inventor: Daniel P. Henkel, Kunkletown, Pa.

[73] Assignee: Square D Company, Palatine, Ill.

[**] Term: 14 Years

[21] Appl. No.: 307,407

[22] Filed: Oct. 1, 1981

[52] U.S. Cl. D8/353; D13/31

[58] Field of Search D8/350, 351, 352, 353; D13/30-32; 220/3.8, 241, 242; 174/66, 67; 339/44 R, 44 M, 123

[56] References Cited

U.S. PATENT DOCUMENTS

D. 188,792	9/1960	Robbins	D8/353
3,140,344	7/1964	Slater et al.	339/44 R
3,198,373	8/1965	Ramsing	220/242
3,204,807	9/1965	Ramsing	220/242
3,716,815	2/1973	Riches	220/3.8
4,197,959	4/1980	Kramer	174/67

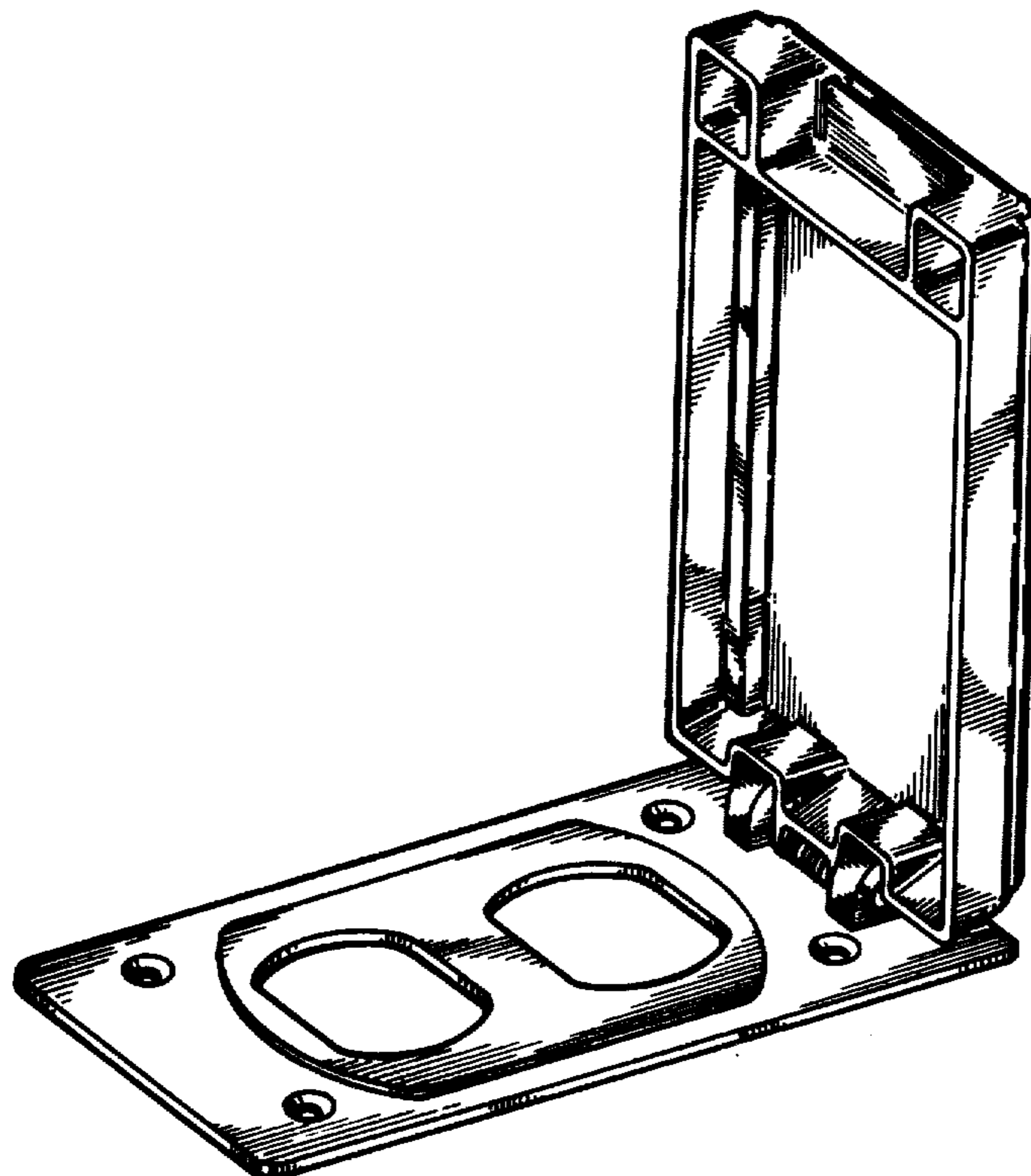
Primary Examiner—B. J. Bullock
Attorney, Agent, or Firm—Stephen A. Litchfield;
Richard T. Guttman

[57] CLAIM

The ornamental design for an electrical outlet cover plate and closure therefor, substantially as shown and described.

DESCRIPTION

FIG. 1 is a top perspective view of an electrical outlet cover plate and closure therefor showing my new design in the closed position;
FIG. 2 is a perspective view in the opened position;
FIG. 3 is a bottom perspective view in the closed position;
FIG. 4 is a bottom perspective view in the opened position;
FIG. 5 is a rear edge elevational view thereof;
FIG. 6 is a top plan view thereof;
FIG. 7 is a side elevational view taken from the front of FIG. 1.



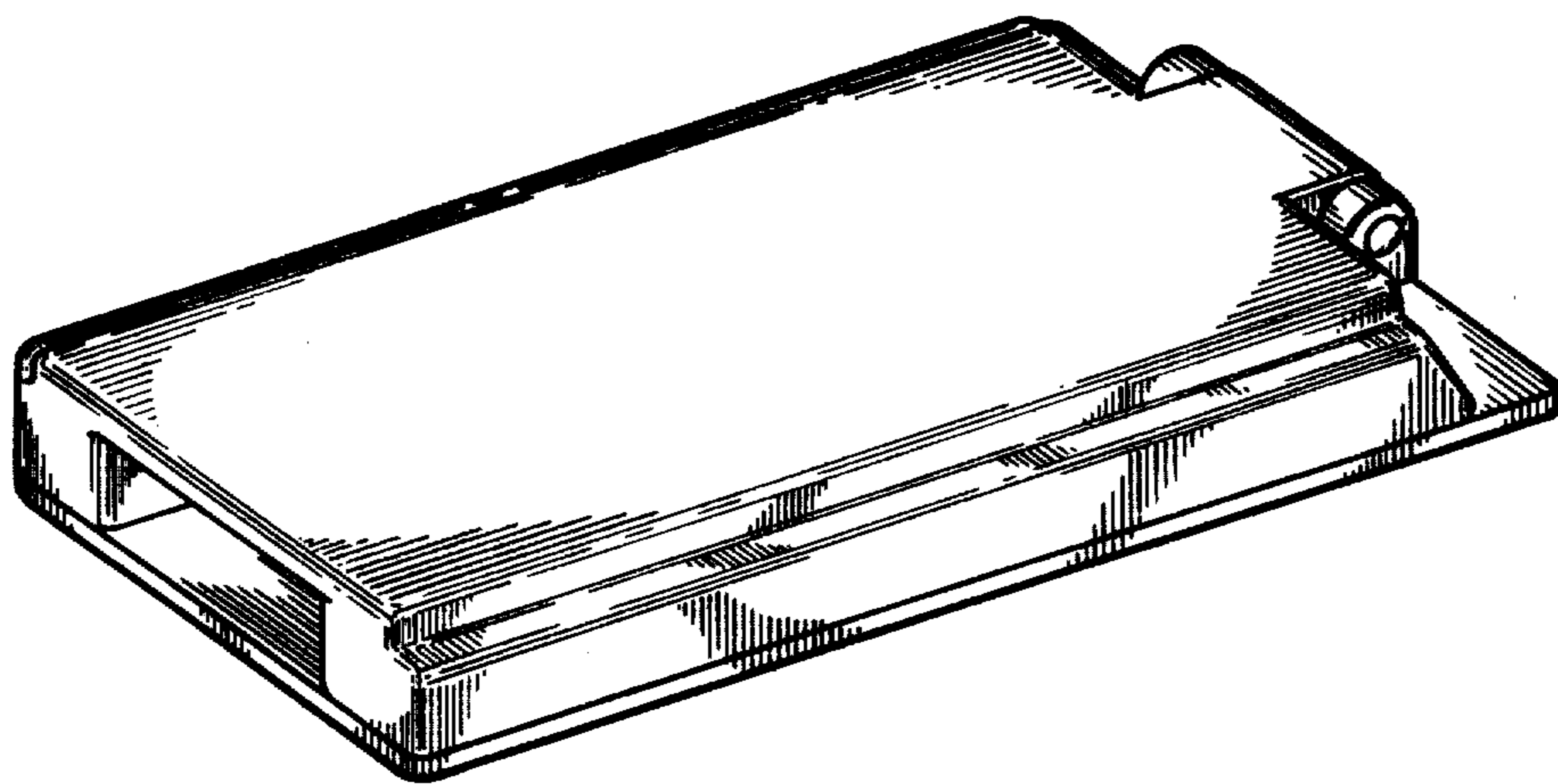


Fig. 1

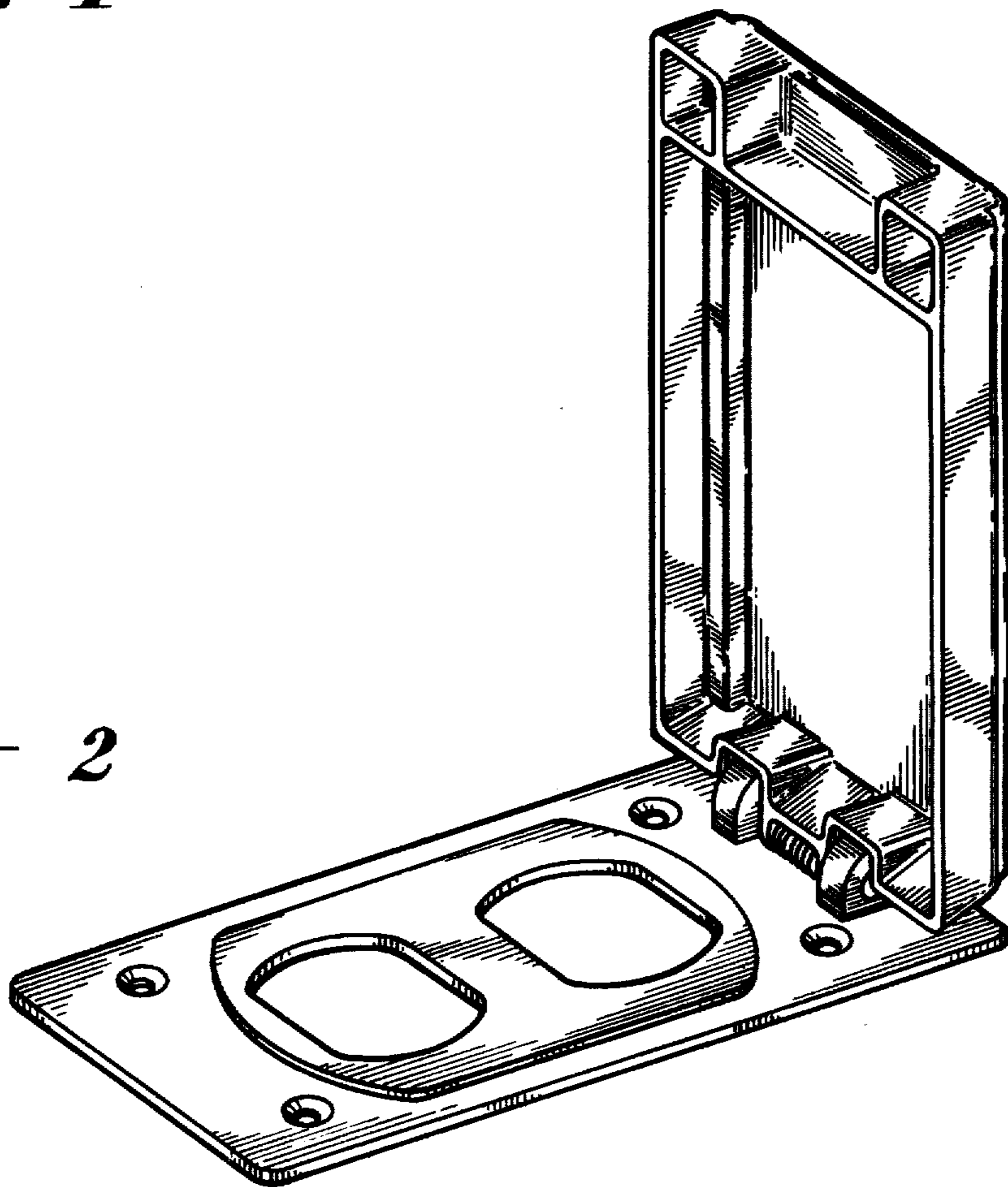


Fig. 2

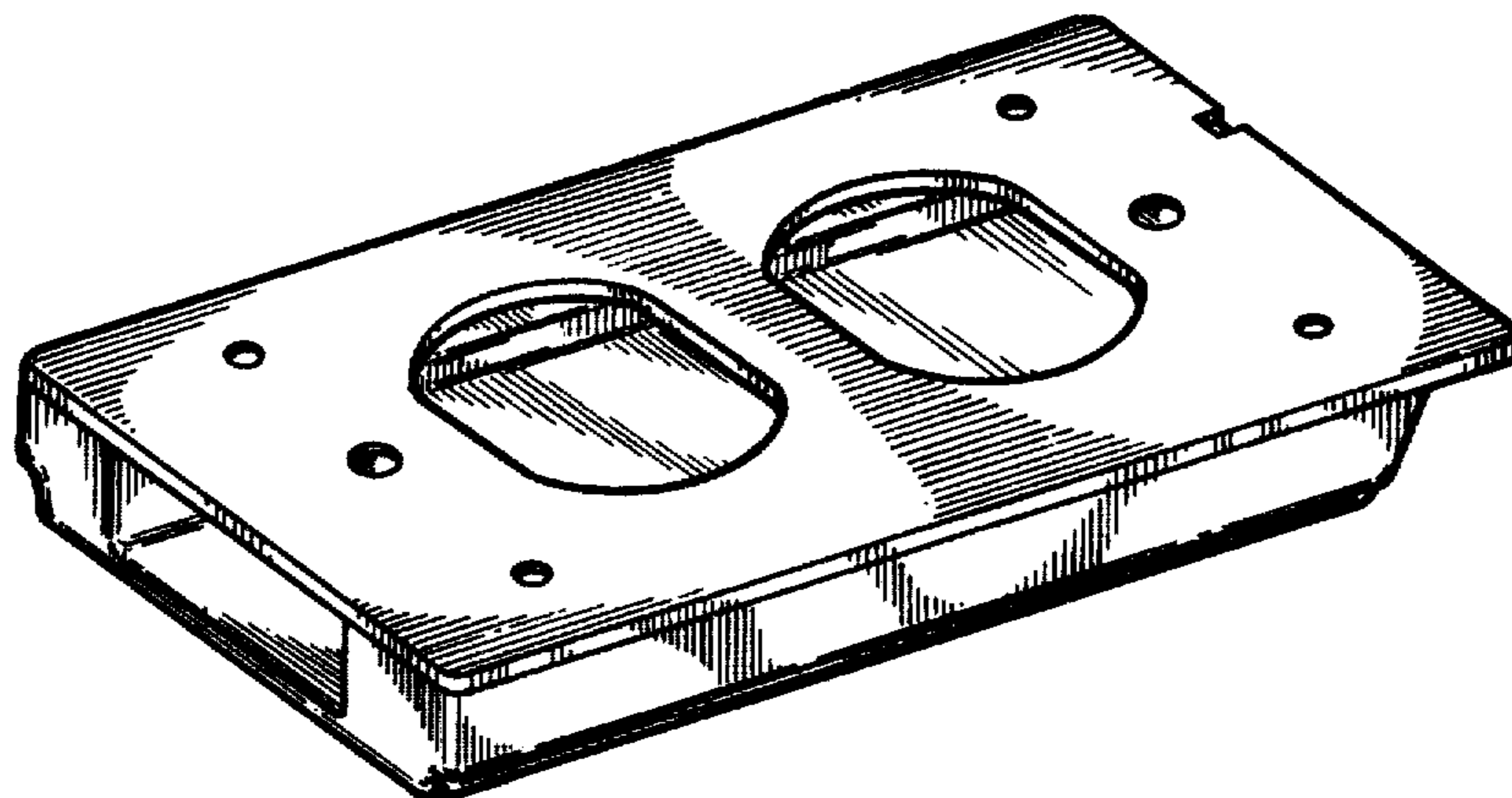


Fig. 3

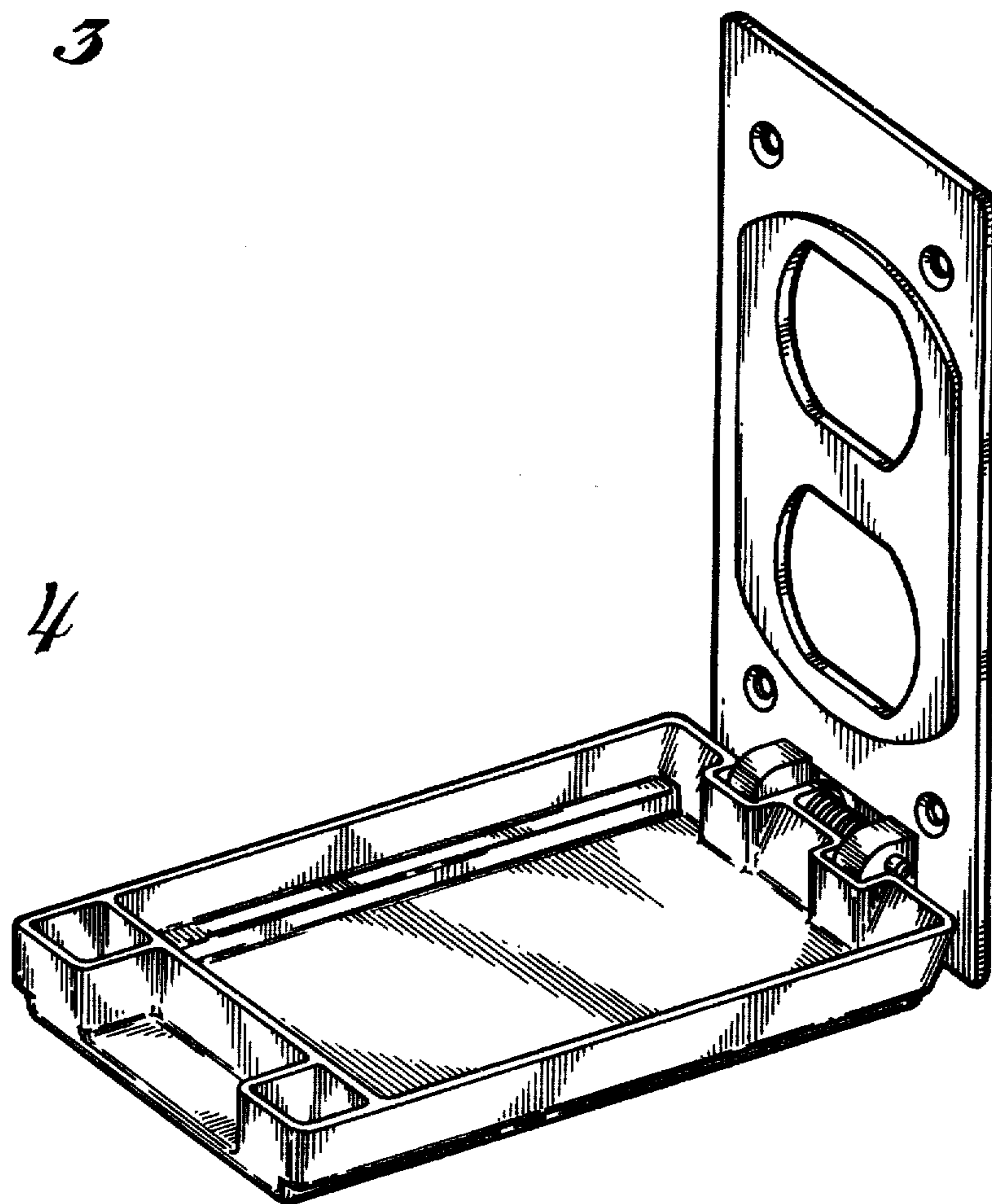


Fig. 4



Fig. 5

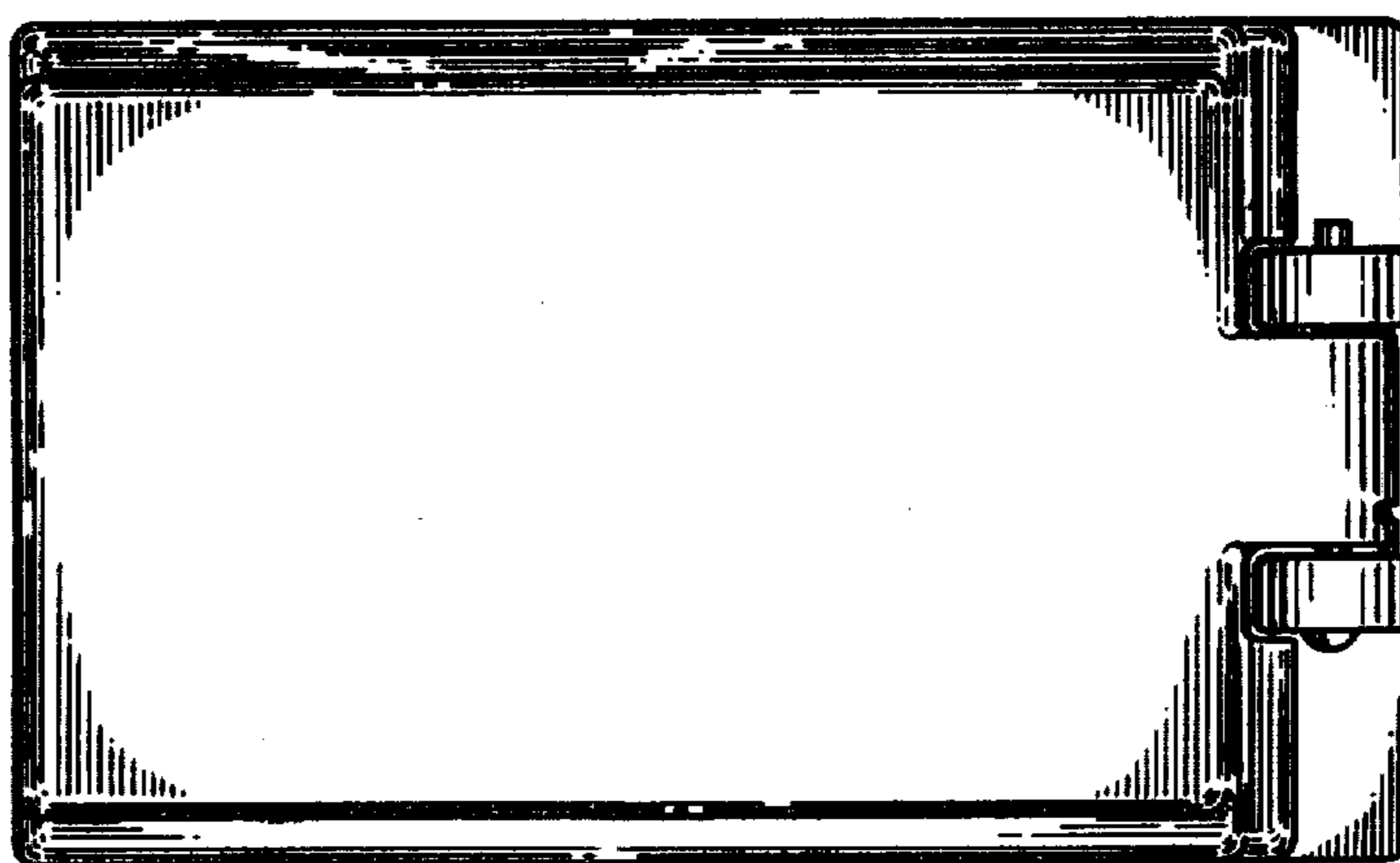


Fig. 6



Fig. 7