

[54] HANDLE FOR A KITCHEN TOOL

[75] Inventor: Nigel F. Bodfish, Solihull, England

[73] Assignee: Gill-Mentor Limited, Great Britain

[\*\*] Term: 14 Years

[21] Appl. No.: 291,731

[22] Filed: Jul. 31, 1981

[30] Foreign Application Priority Data

Feb. 3, 1981 [GB] United Kingdom ..... 998728

[52] U.S. Cl. .... D7/395

[58] Field of Search ..... D7/99, 102, 104, 106, D7/103, 151, 132, 152, 42, 147, 141, 142, 138; D8/107

[56] References Cited

U.S. PATENT DOCUMENTS

D. 124,852	1/1941	Beck	.....	D7/132
D. 258,486	3/1981	Wallace et al.	.....	D7/395
2,092,878	9/1937	Hess	.....	D7/102 X
2,168,237	8/1939	Polacsek	.....	D7/147 X
3,161,430	12/1964	Wiman	.....	D7/132

OTHER PUBLICATIONS

*Tableware International*, Feb. 1980, p. 114, Panel #2 at top center—"Tummpi" Range of Cutlery.

*Primary Examiner*—Winifred E. Herrmann  
*Attorney, Agent, or Firm*—Neil F. Markva

[57] CLAIM

The ornamental design for a handle for a kitchen tool, as shown and described.

DESCRIPTION

FIG. 1 is a front perspective view of a handle for a kitchen tool showing my new design; FIG. 2 is a rear elevational view thereof; FIG. 3 is a side elevational view thereof; FIG. 4 is a top view thereof; FIG. 5 is a bottom view thereof; FIG. 6 is a cross-section on line 6—6 of FIG. 2; and FIG. 7 is a cross-section on line 7—7 of FIG. 2. The characteristic feature of the design resides in the configuration of the oblong shaped slot having lengthened bevelled ends thereon.

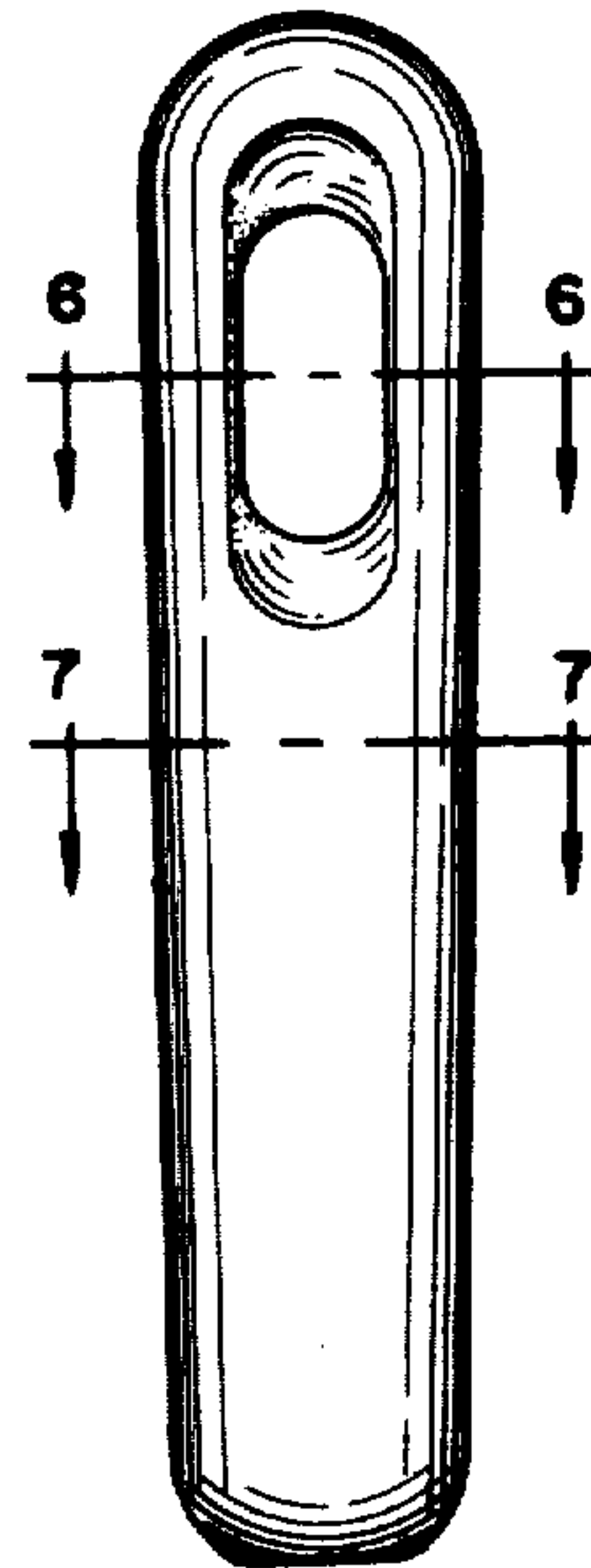


FIG. 1.

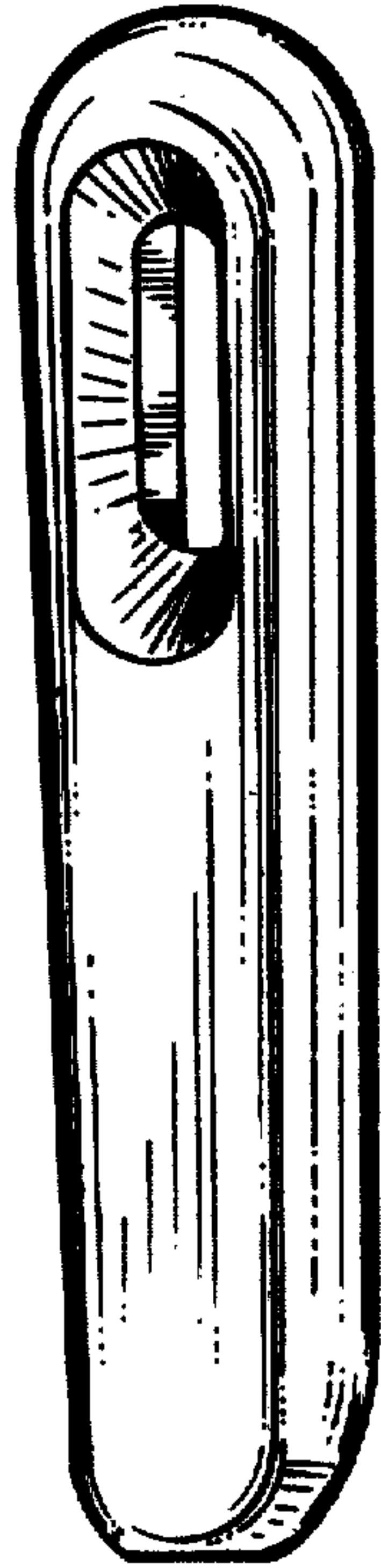


FIG. 2.

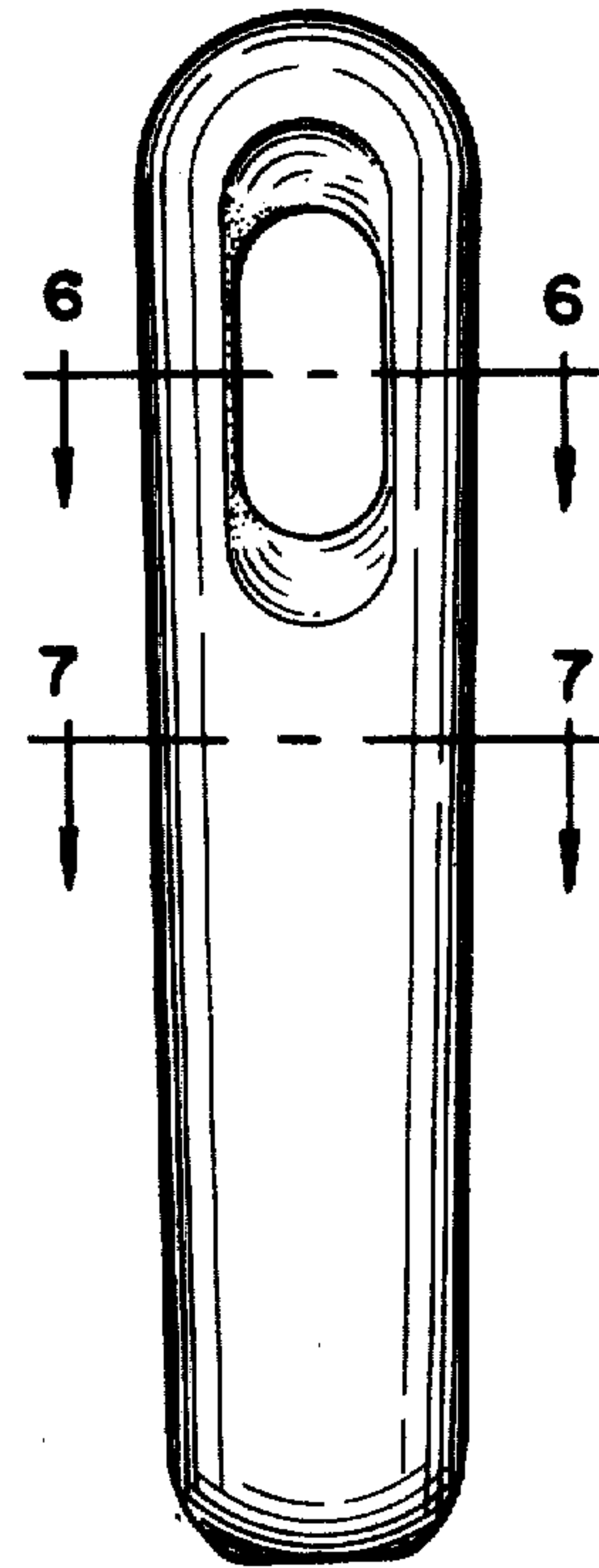


FIG. 3.

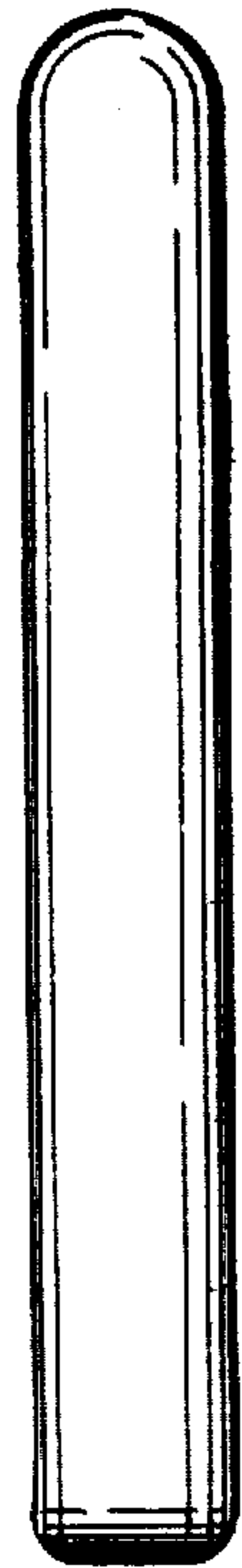


FIG. 4.



FIG. 5.



FIG. 6.



FIG. 7.

