

[54] REMOVABLE CANOE-CARRIED COOLER

[76] Inventor: Kenneth G. Mathieu, 33980 Oakdale, Livonia, Mich. 48154

[**] Term: 14 Years

[21] Appl. No.: 304,119

[22] Filed: Sep. 21, 1981

[52] U.S. Cl. D7/77

[58] Field of Search D7/76, 77; 43/55, 54.1; D6/64; 62/261, 371, 372, 394, 400, 457; 220/85 H, 411, 412

[56] References Cited

U.S. PATENT DOCUMENTS

D. 259,615	6/1981	Morris, Jr.	D7/76
3,691,666	9/1972	Herdwig	43/54.1
4,128,170	12/1978	Elliott	43/54.1
4,146,279	3/1979	Stahel	D7/77

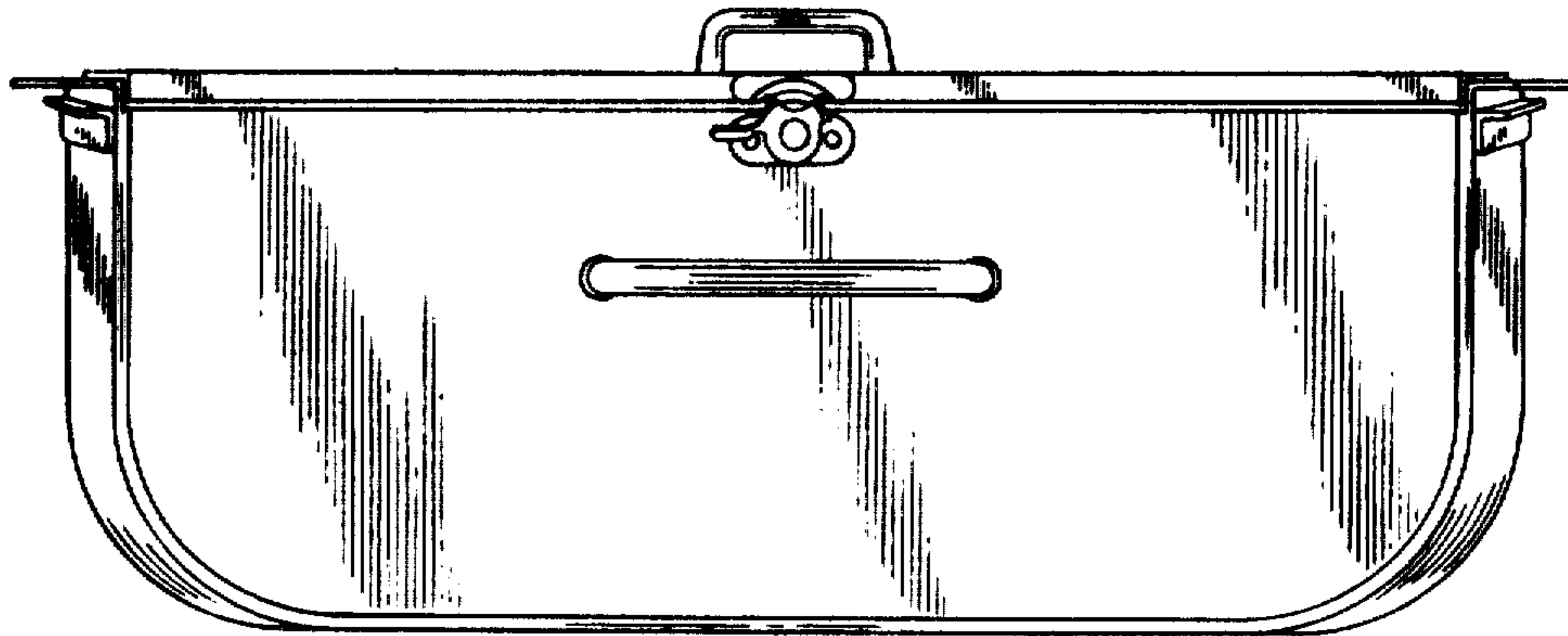
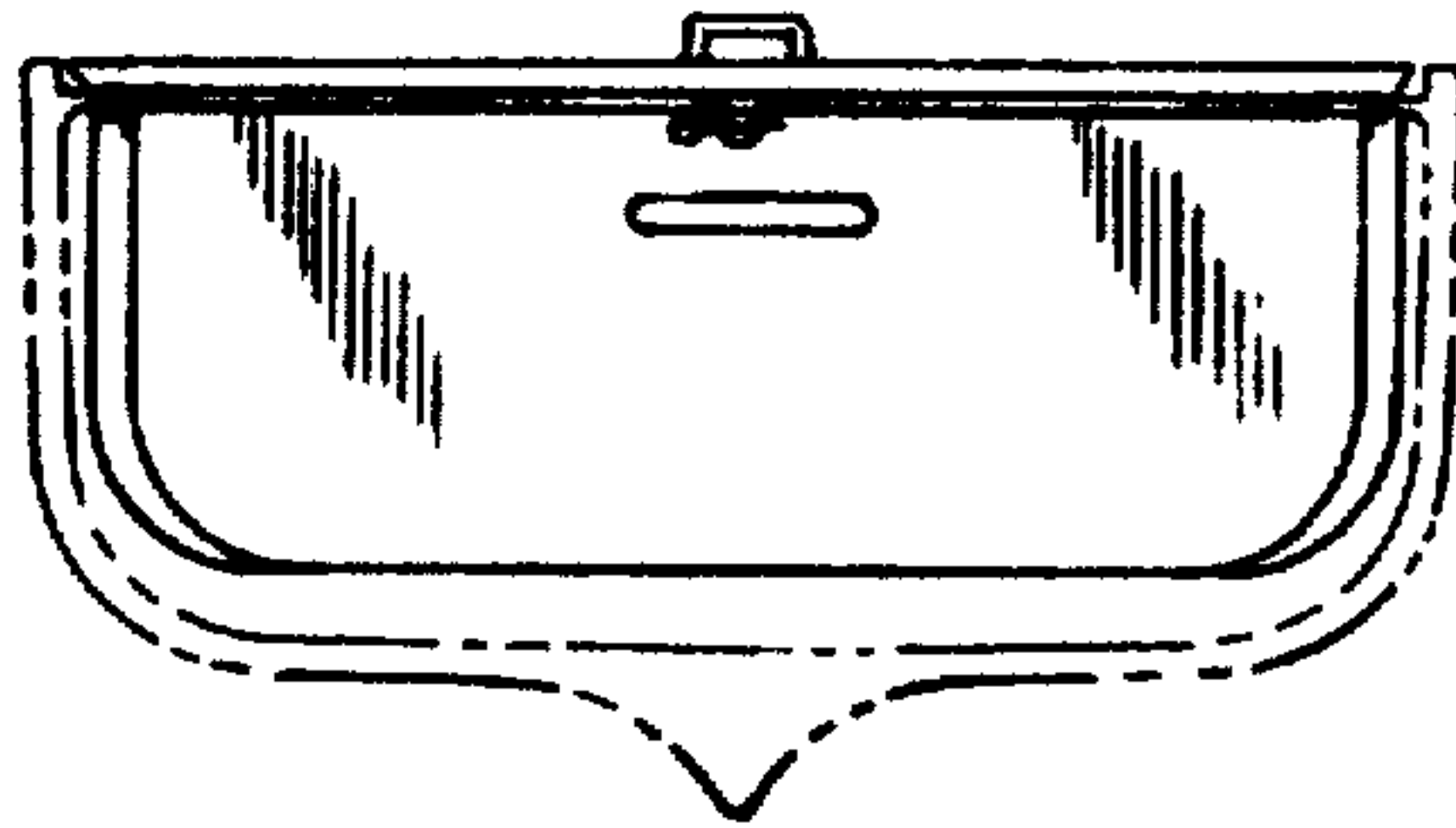
Primary Examiner—Wallace R. Burke
Assistant Examiner—Lynn Wilder
Attorney, Agent, or Firm—William L. Fisher

[57] CLAIM

The ornamental design for a removable canoe-carried cooler, as shown and described.

DESCRIPTION

FIG. 1 is a reduced top plan view of a removable canoe-carried cooler showing my new design;
FIG. 2 is a reduced front elevational view thereof;
FIG. 3 is a top plan view thereof;
FIG. 4 is a bottom plan view thereof;
FIG. 5 is a rear elevational view thereof;
FIG. 6 is a front elevational view thereof;
FIG. 7 is a left side elevational view thereof;
FIG. 8 is a right side elevational view thereof;
FIG. 9 is a top plan view of said removable canoe-carried cooler showing my new design with its lid in open position;
FIG. 10 is a bottom plan view thereof;
FIG. 11 is a rear elevational view thereof;
FIG. 12 is a front elevational view thereof;
FIG. 13 is a left side elevational view thereof;
FIG. 14 is a right side elevational view thereof.
The canoe shown in broken lines is for illustrative purposes only and forms no part of the claimed design.



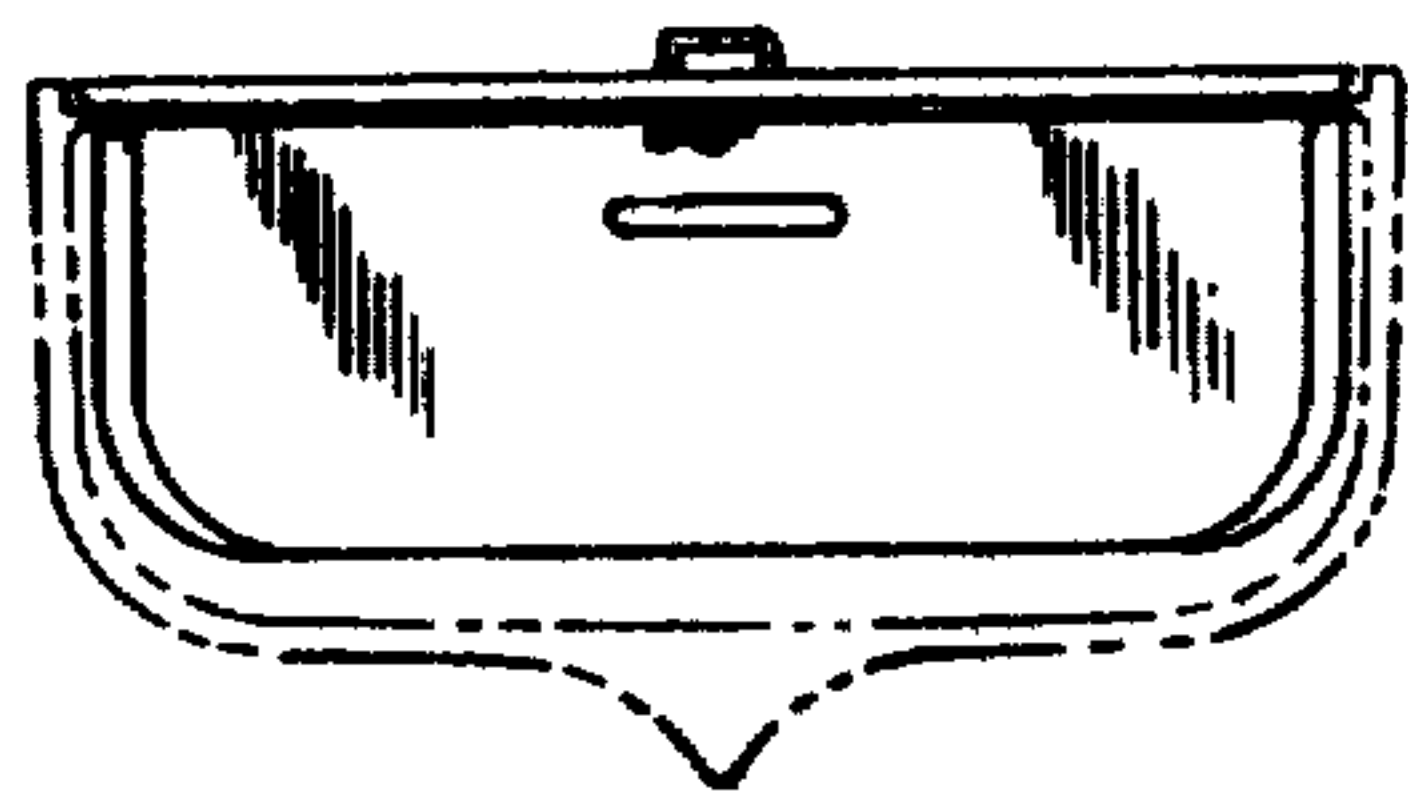
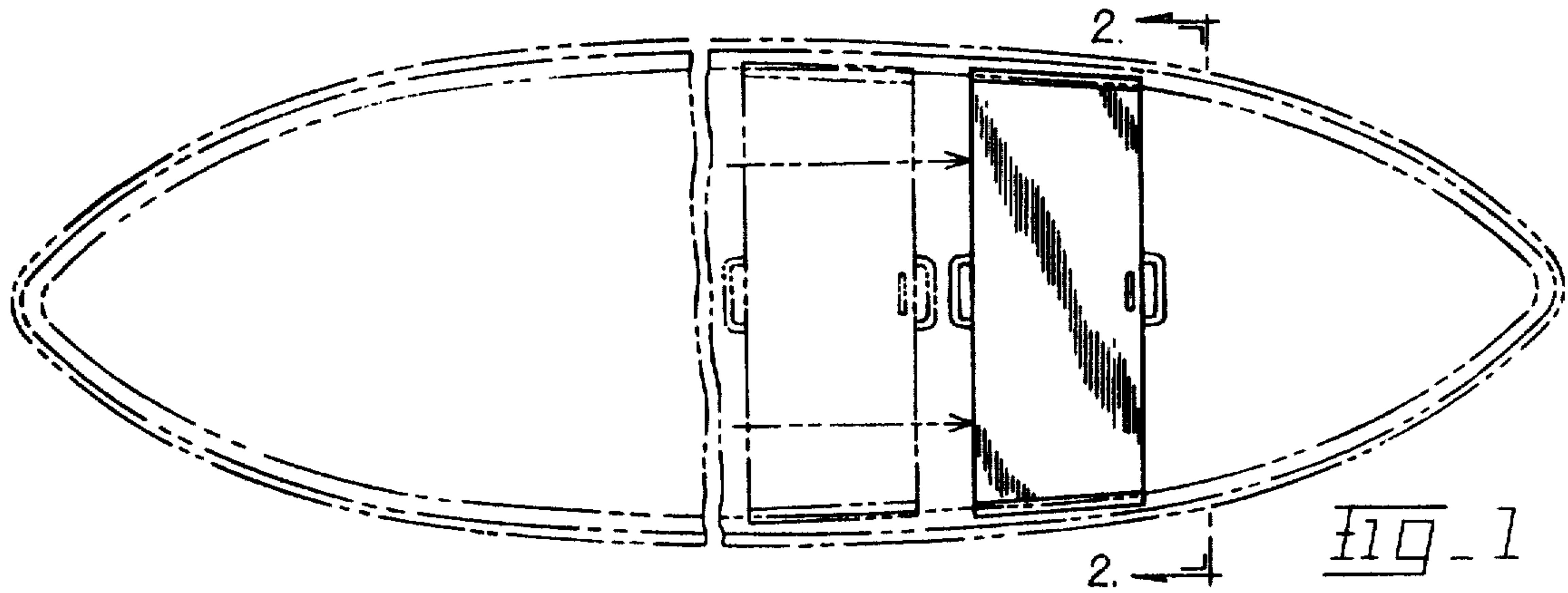


FIG. 2

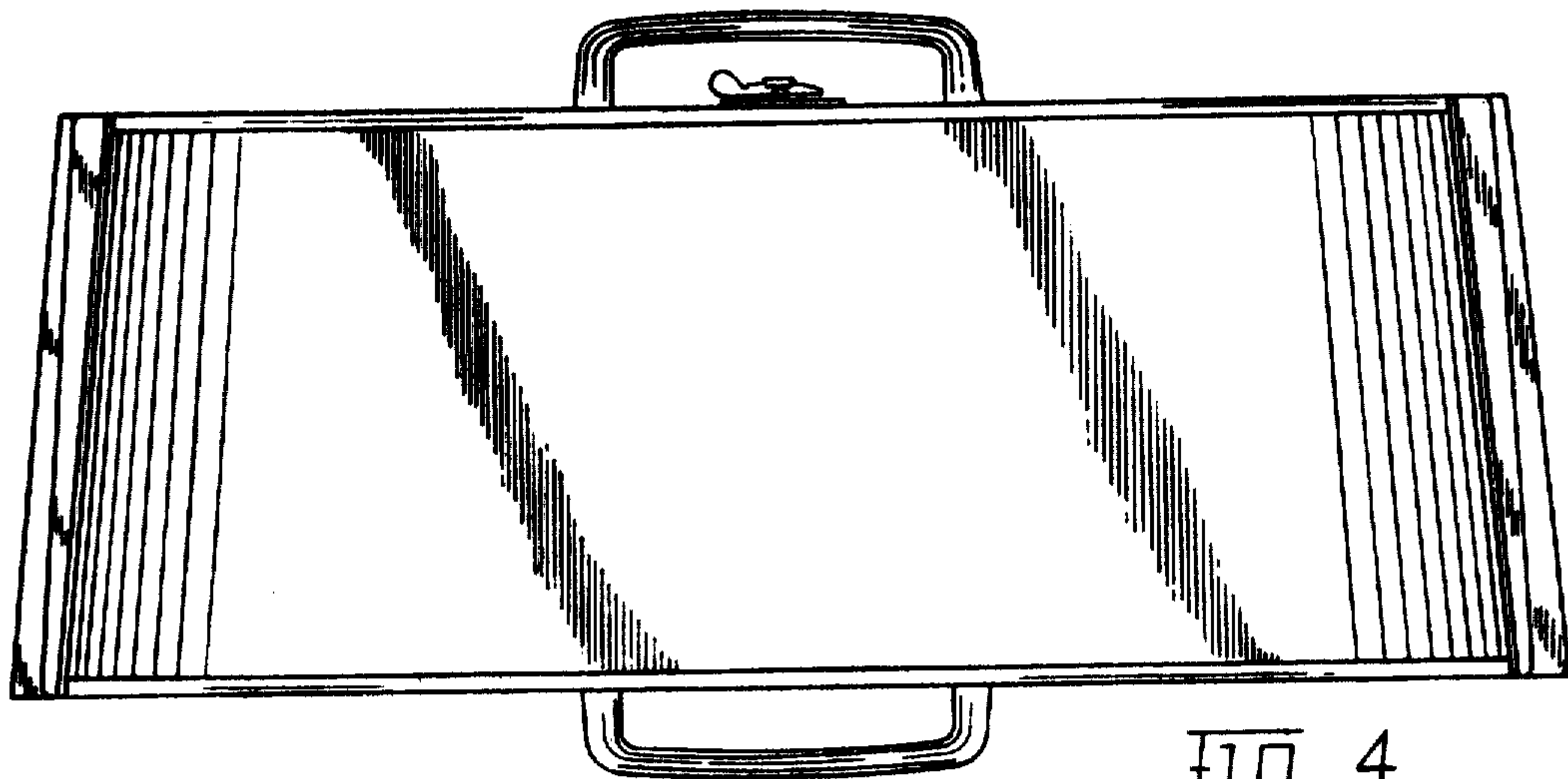


FIG. 4

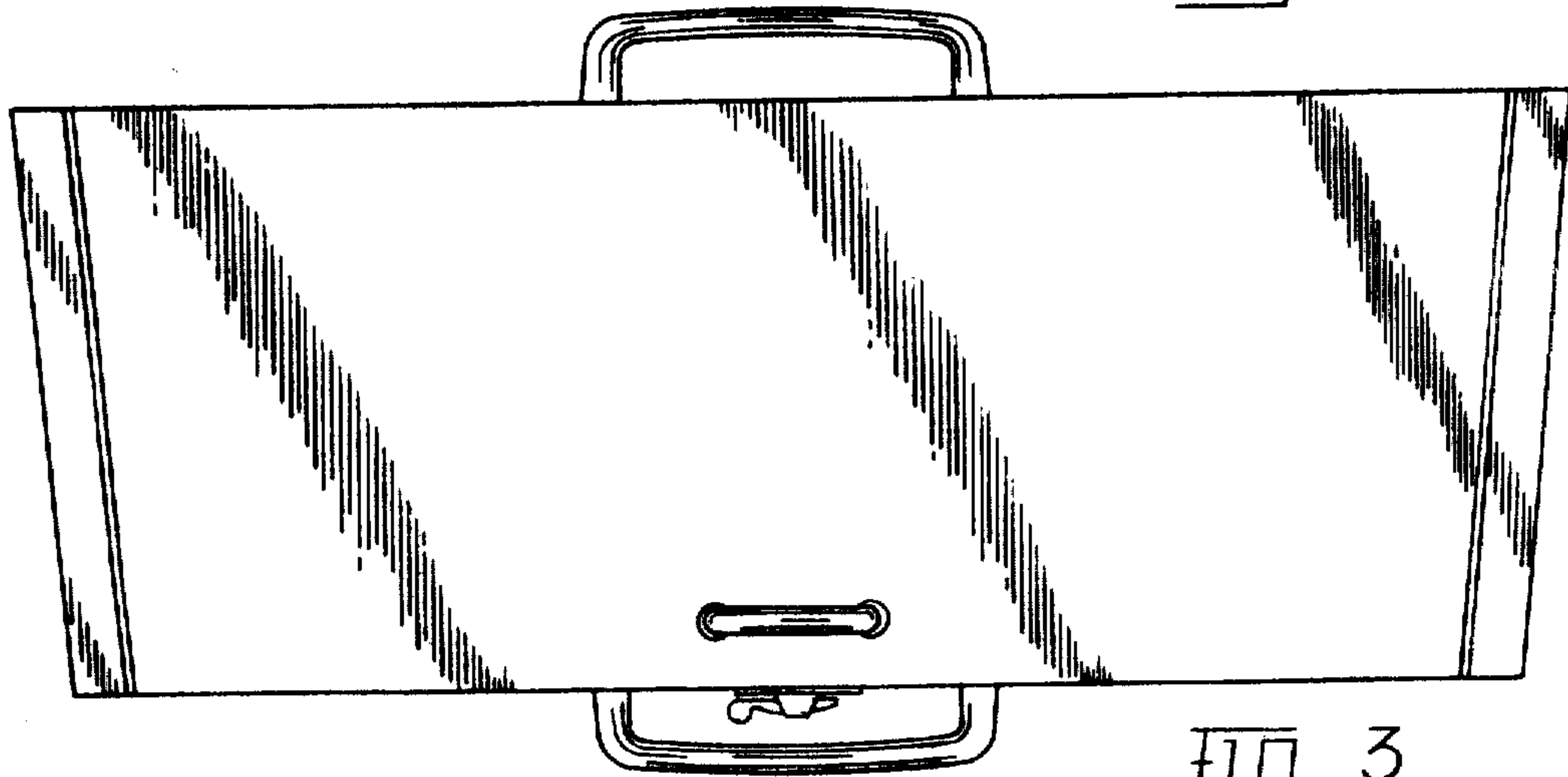


FIG. 3

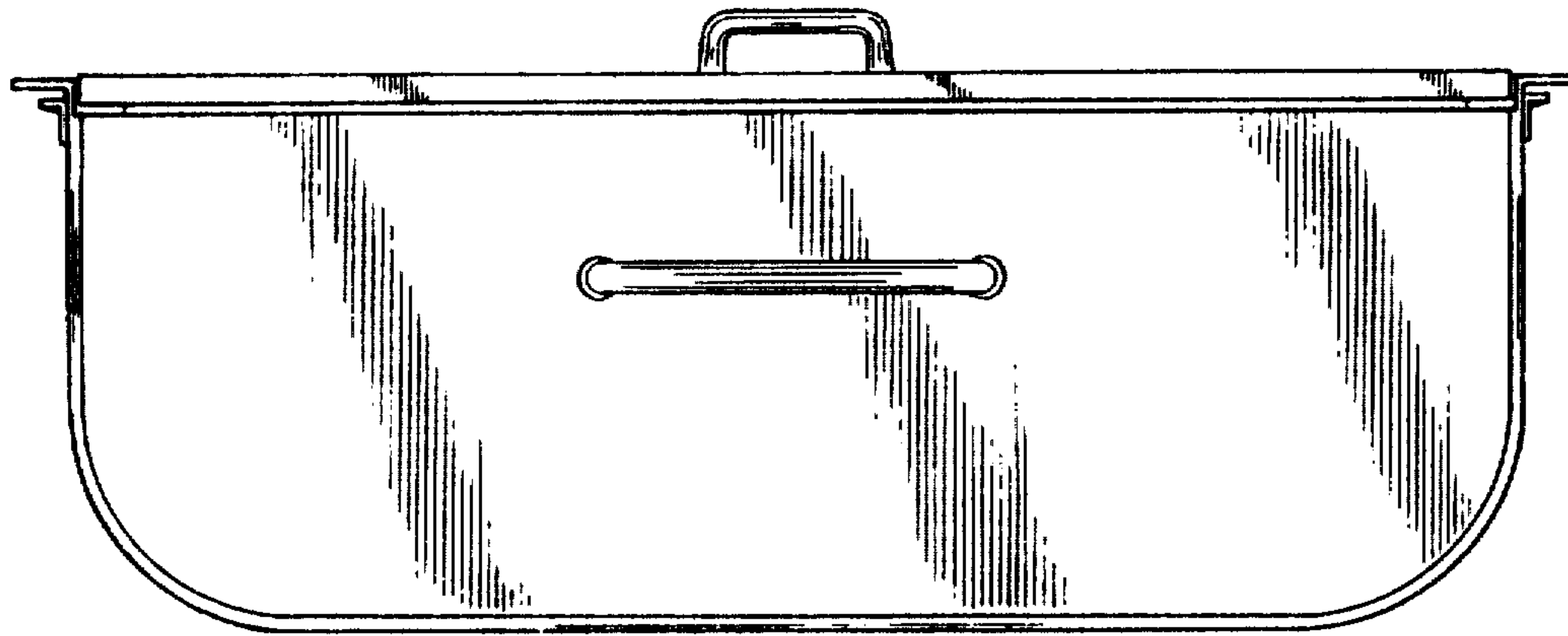


FIG. 6

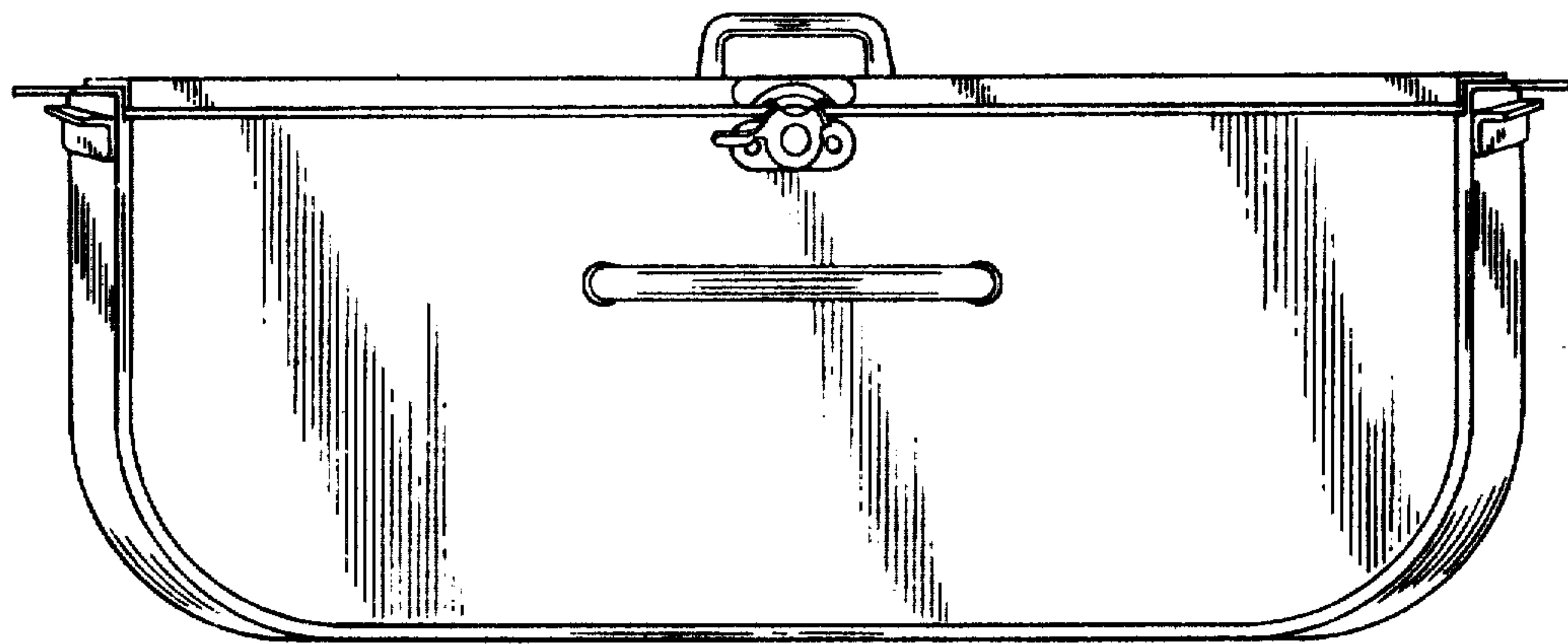


FIG. 5

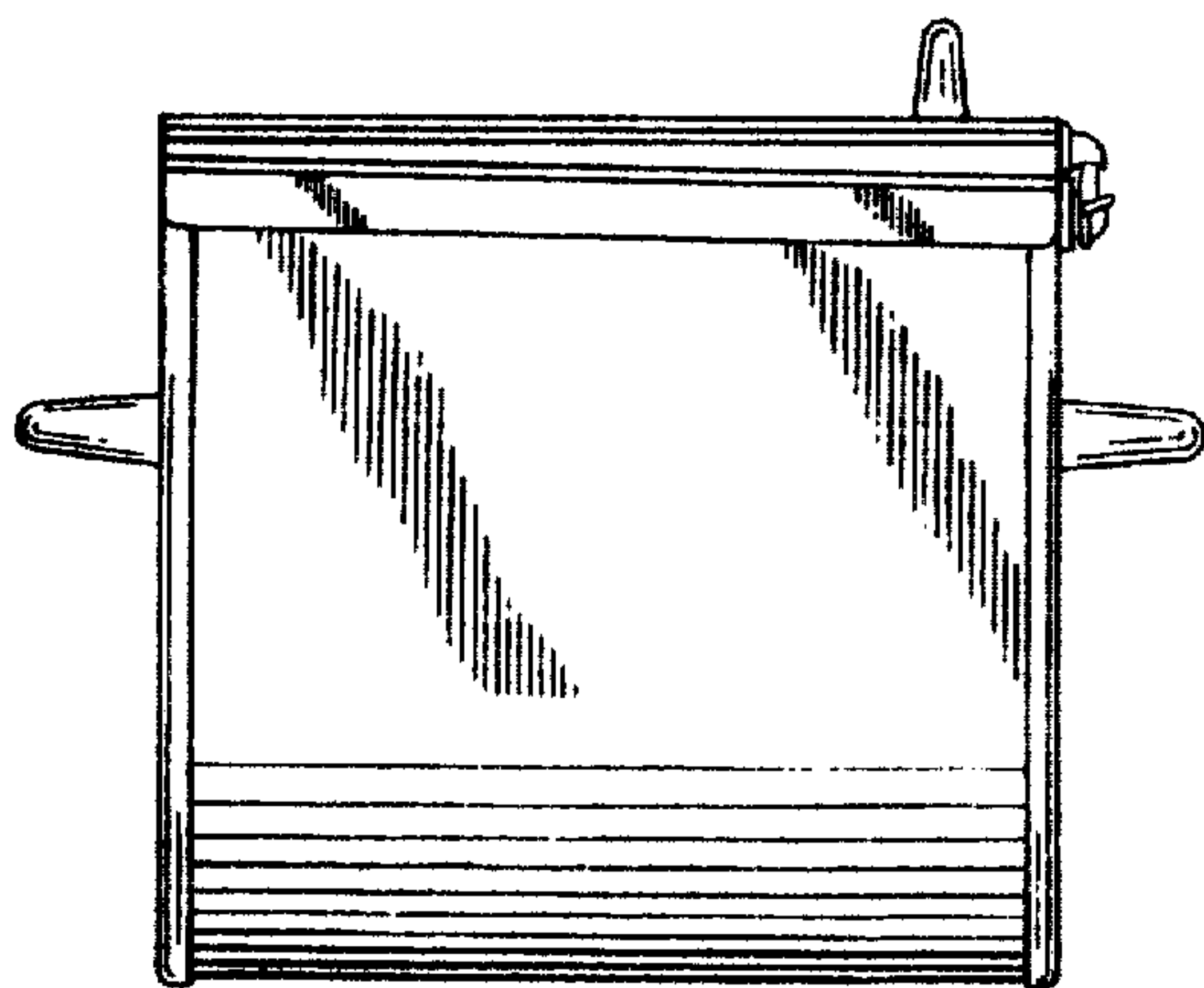


FIG. 8

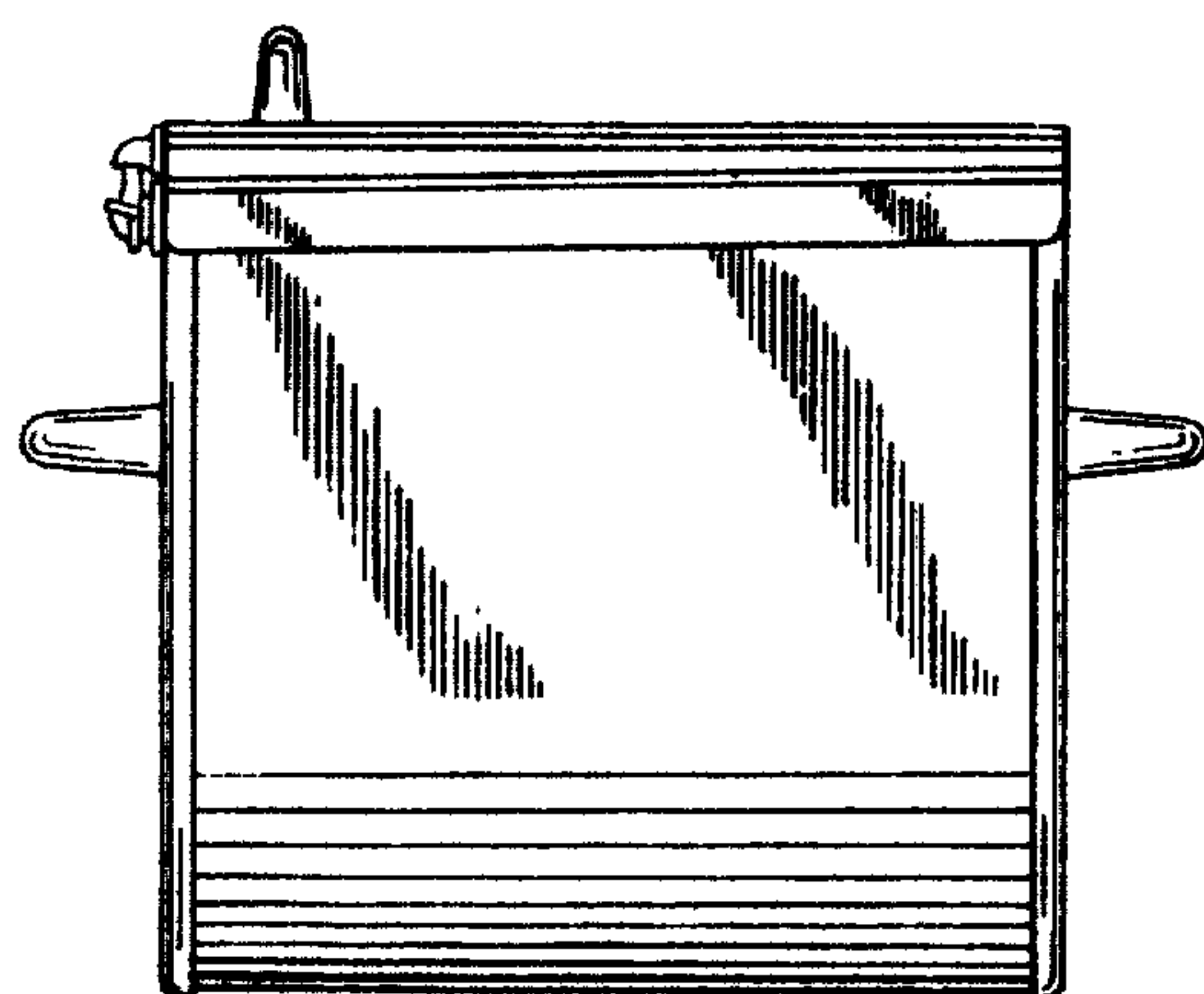


FIG. 7

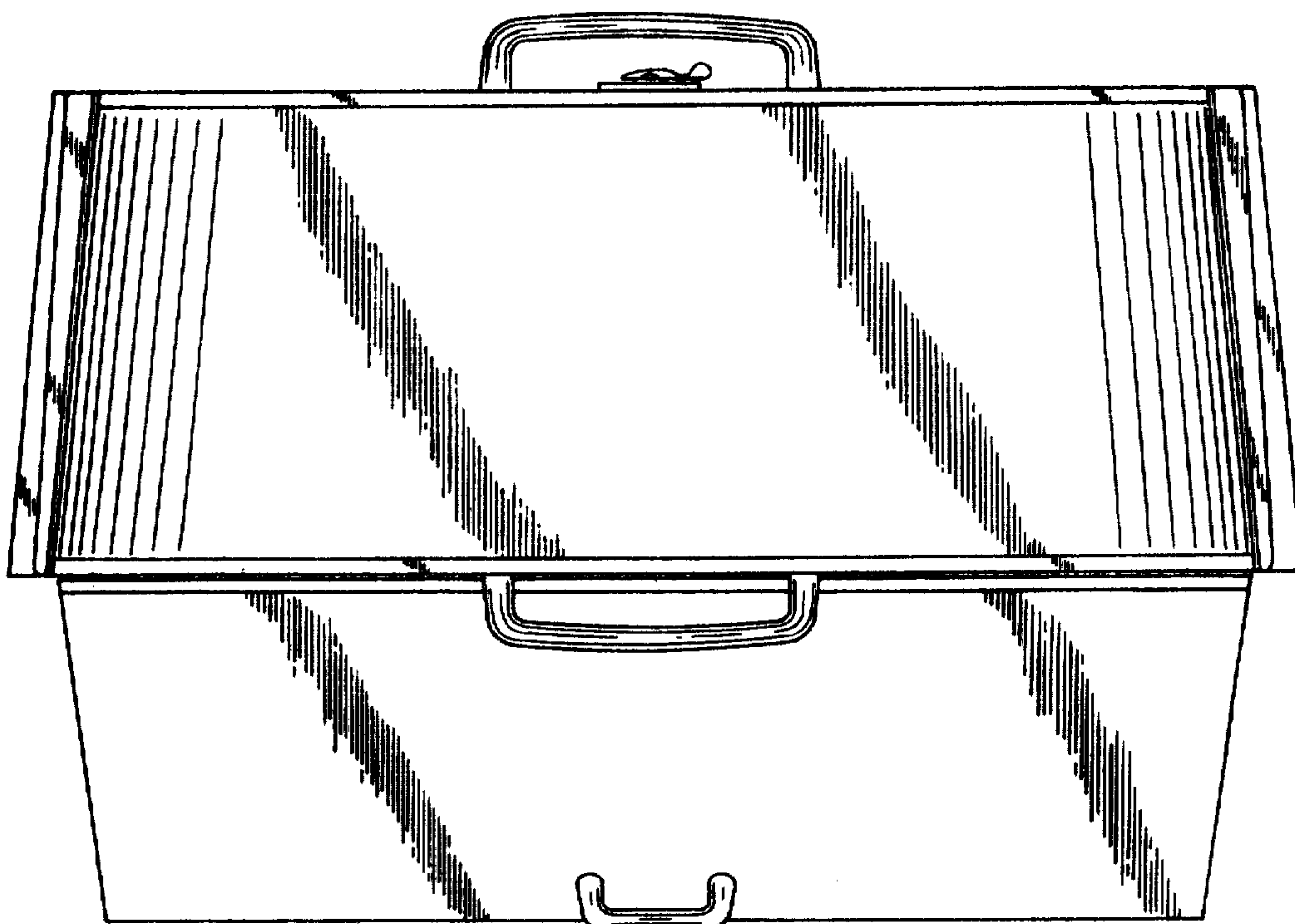


FIG. 10

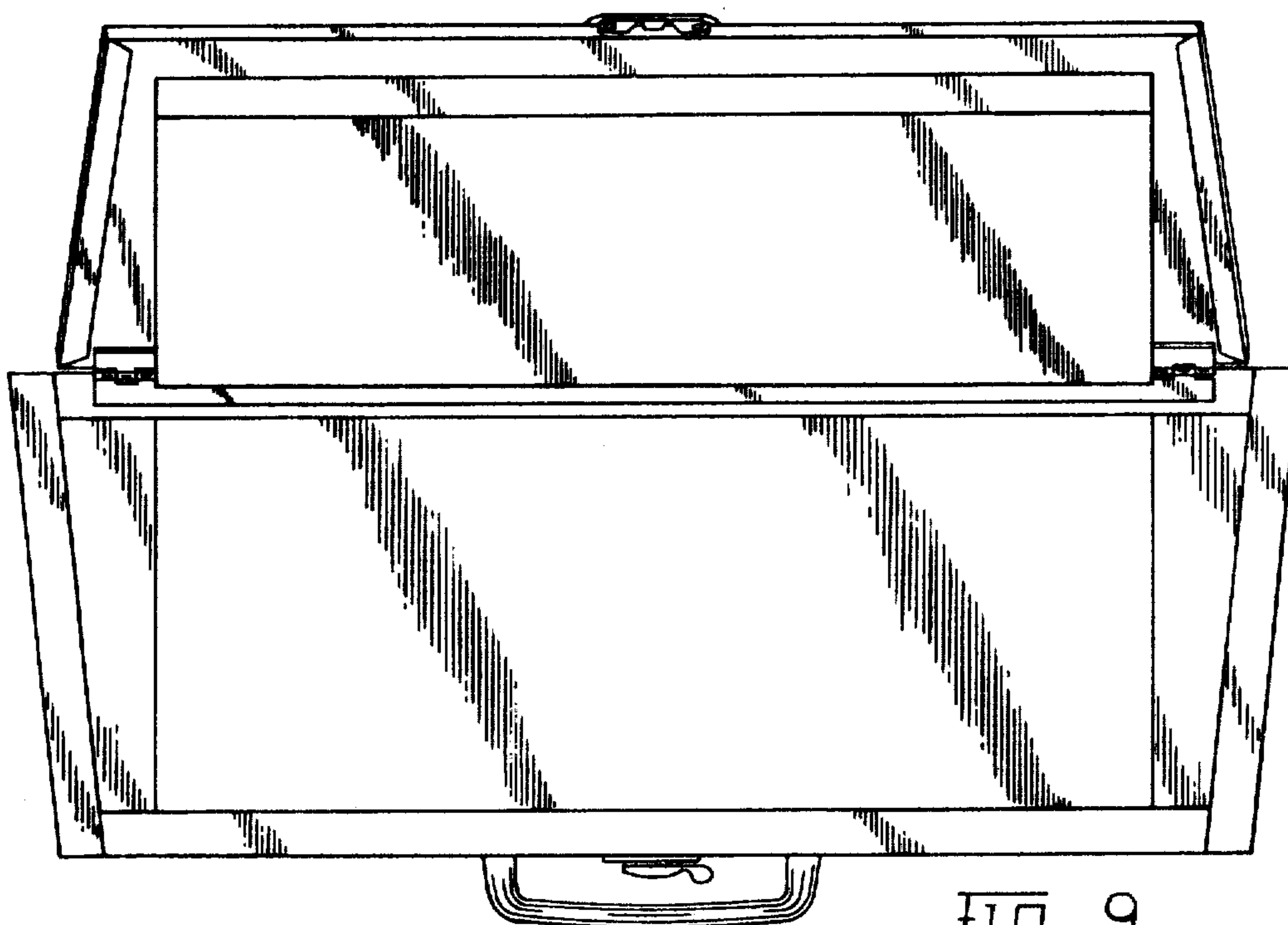


FIG. 9

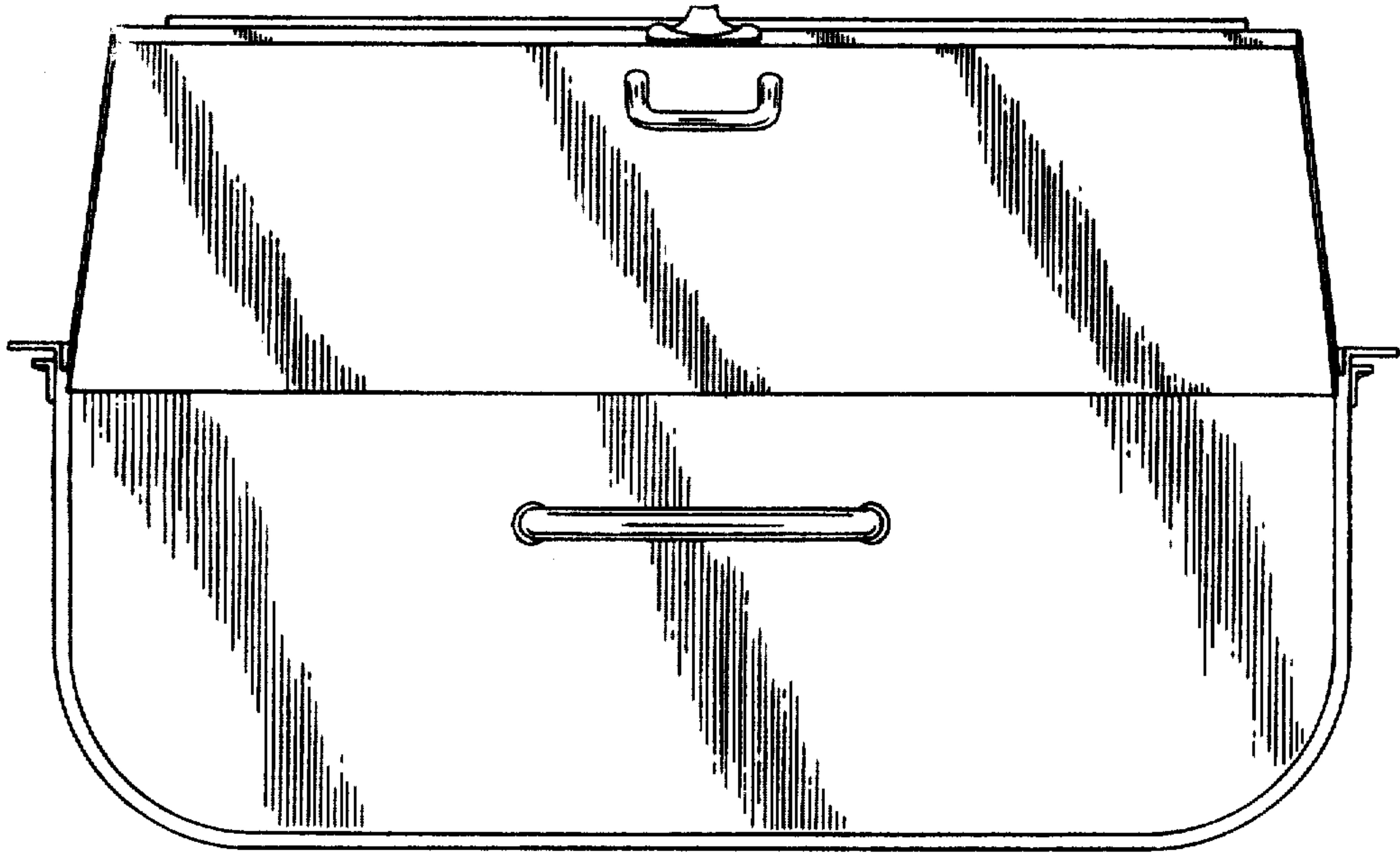


FIG. 12

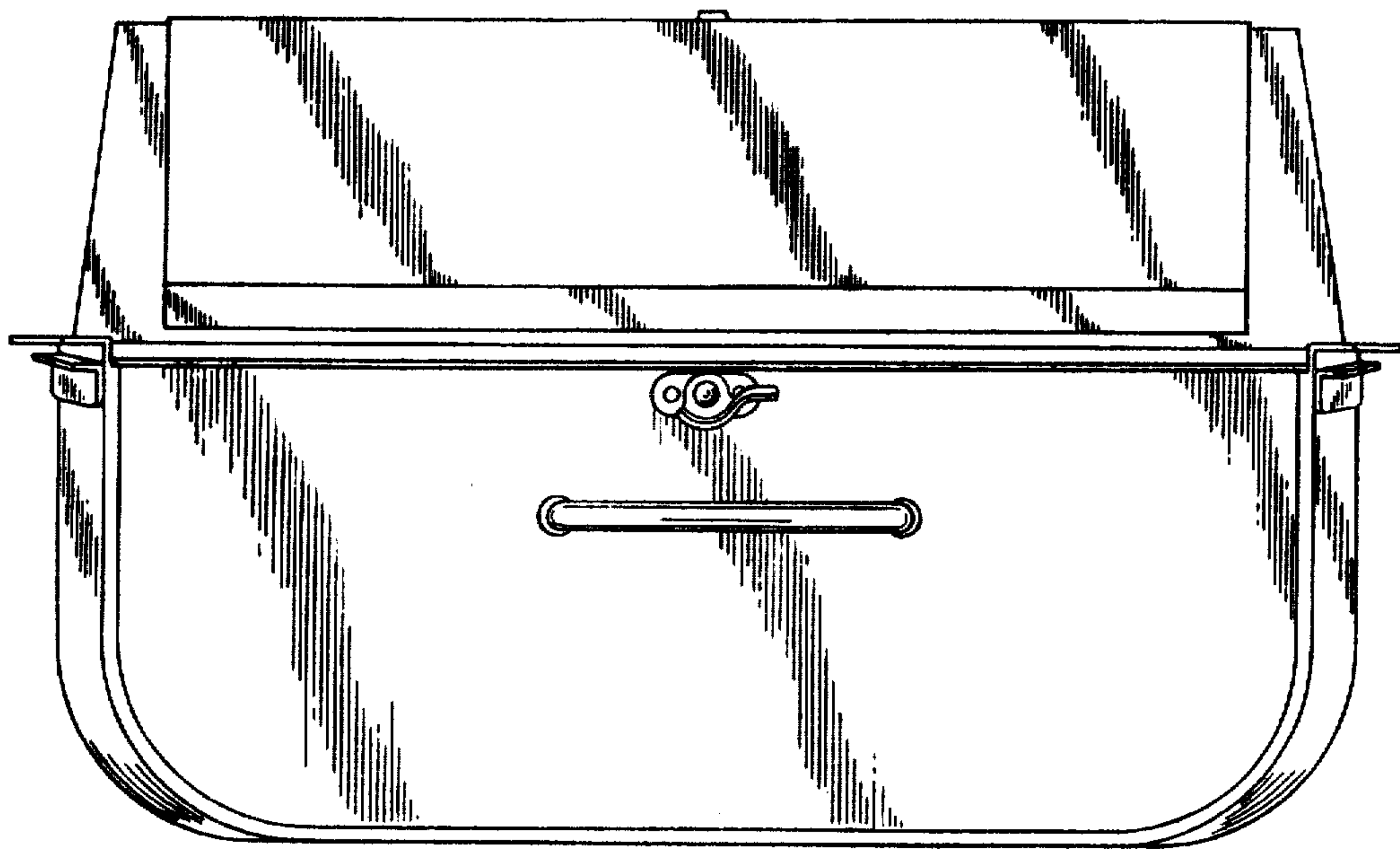


FIG. 11

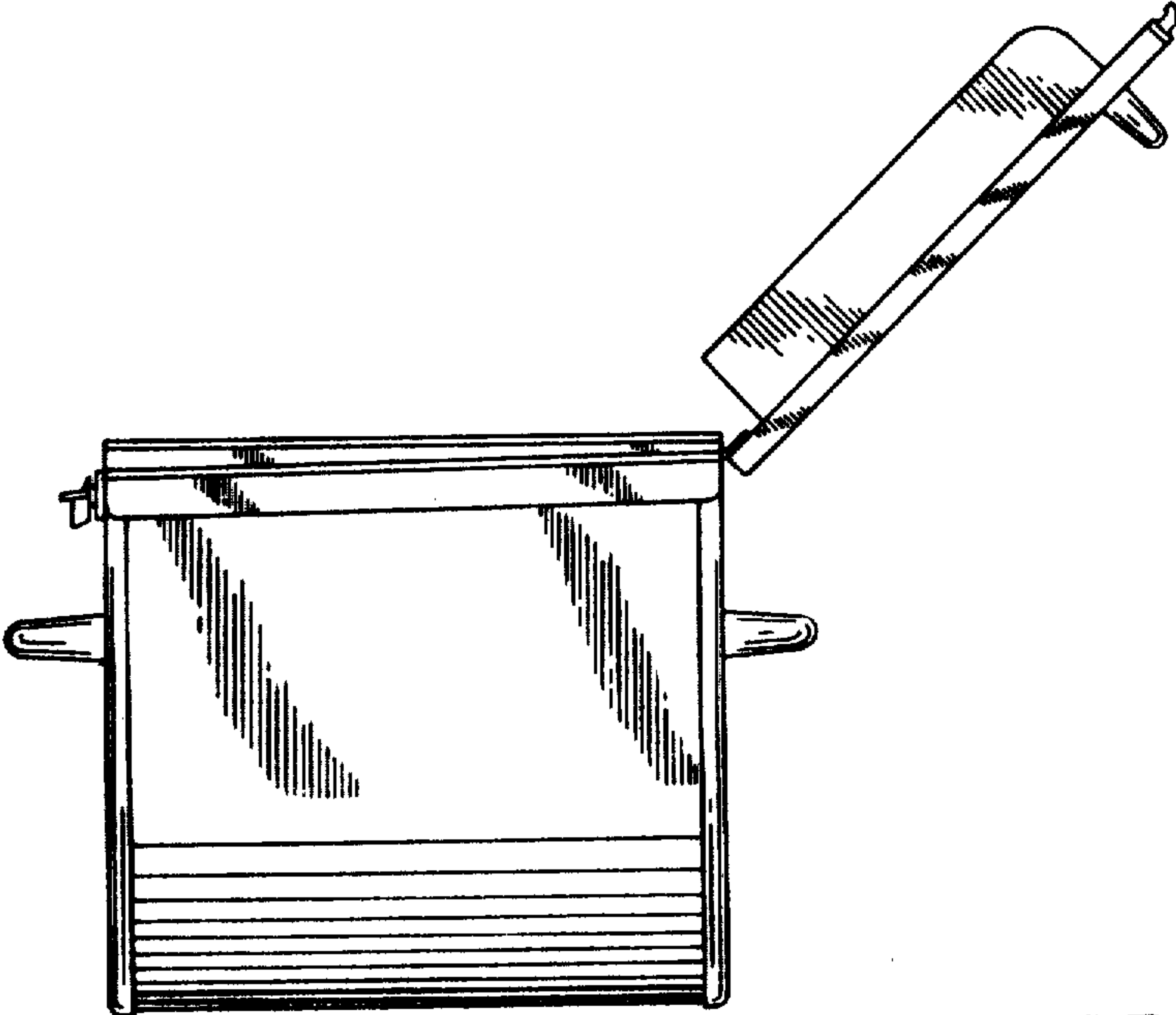


FIG - 13

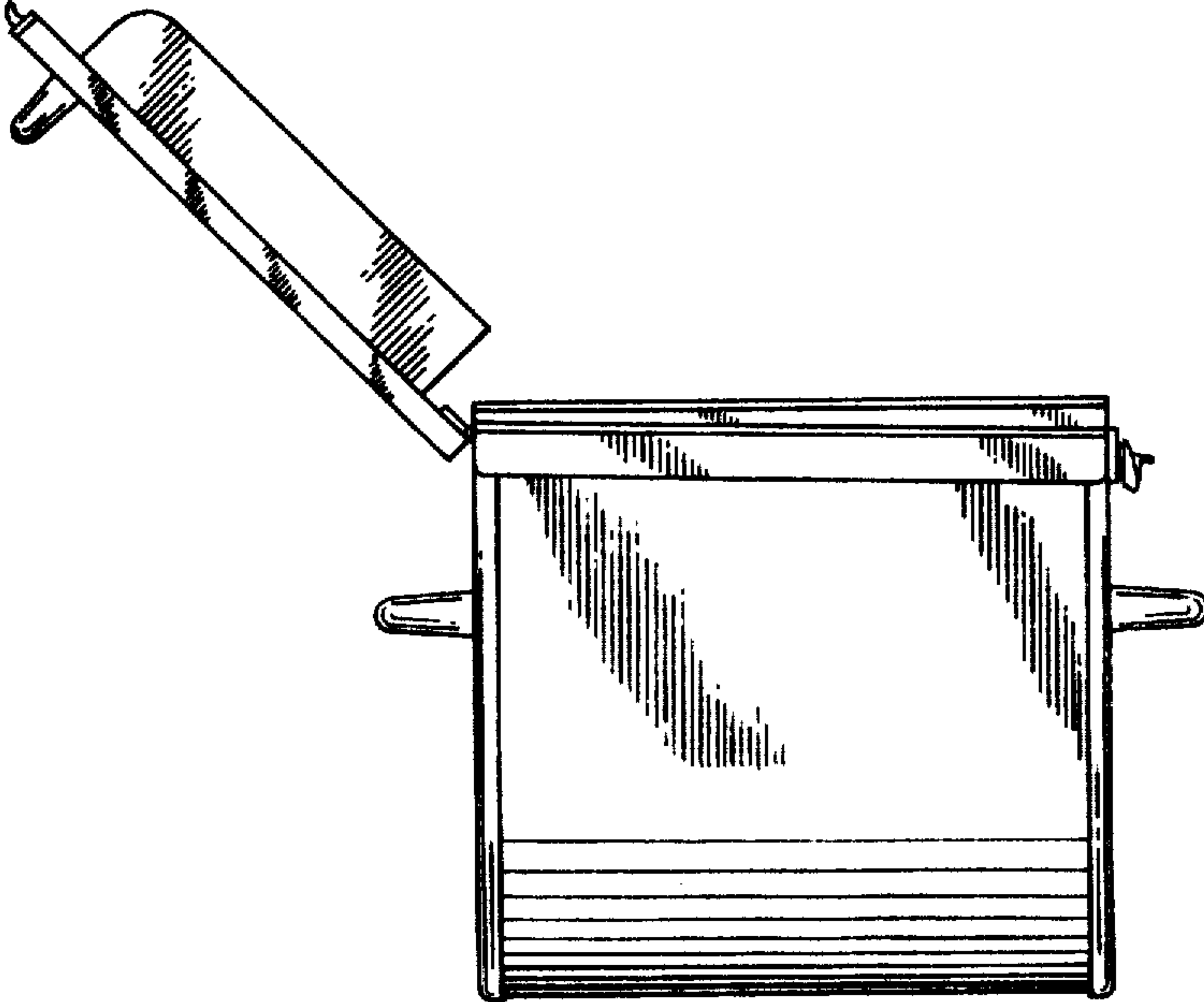


FIG - 14