

[54] **WORK TABLE TOP**

[75] Inventors: **John H. Welsch, Moscow; Rodney Brancher, Wilkes-Barre, both of Pa.**

[73] Assignee: **Metropolitan Wire Corporation, Wilkes-Barre, Pa.**

[**] Term: **14 Years**

[21] Appl. No.: **333,994**

[22] Filed: **Dec. 23, 1981**

[52] U.S. Cl. **D6/192**

[58] Field of Search **D6/27, 144, 146-150, D6/175, 177-179, 192**

[56] **References Cited**

U.S. PATENT DOCUMENTS

D. 219,033	10/1970	Salsgiver	D6/178 X
3,063,064	11/1962	Mace	D6/178 X
3,295,475	1/1967	McClellan	D6/178 X
3,401,653	9/1968	Knoblock	D6/178 X

Primary Examiner—Bruce W. Dunkins
Attorney, Agent, or Firm—Goodman & Teitelbaum, Inc.

[57] **CLAIM**

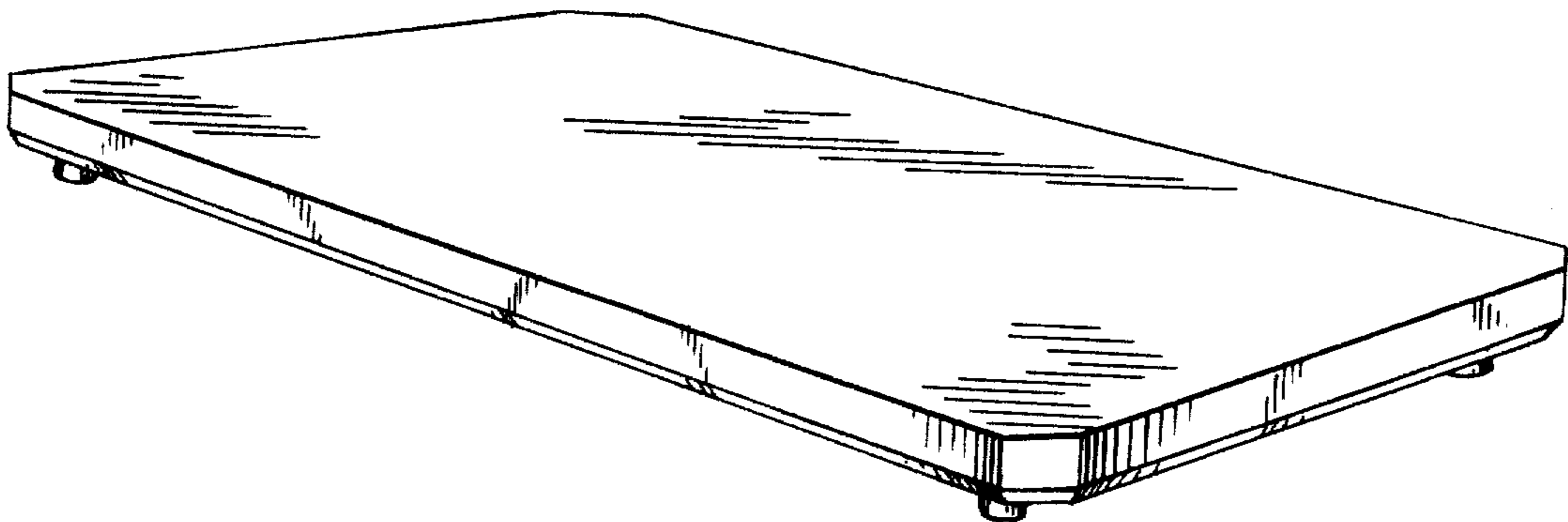
The ornamental design for a work table top, substantially as shown.

DESCRIPTION

FIG. 1 is a top perspective view of a work table top, showing our new design;

FIG. 2 is a bottom perspective view thereof; and

FIG. 3 is a bottom plan view thereof.



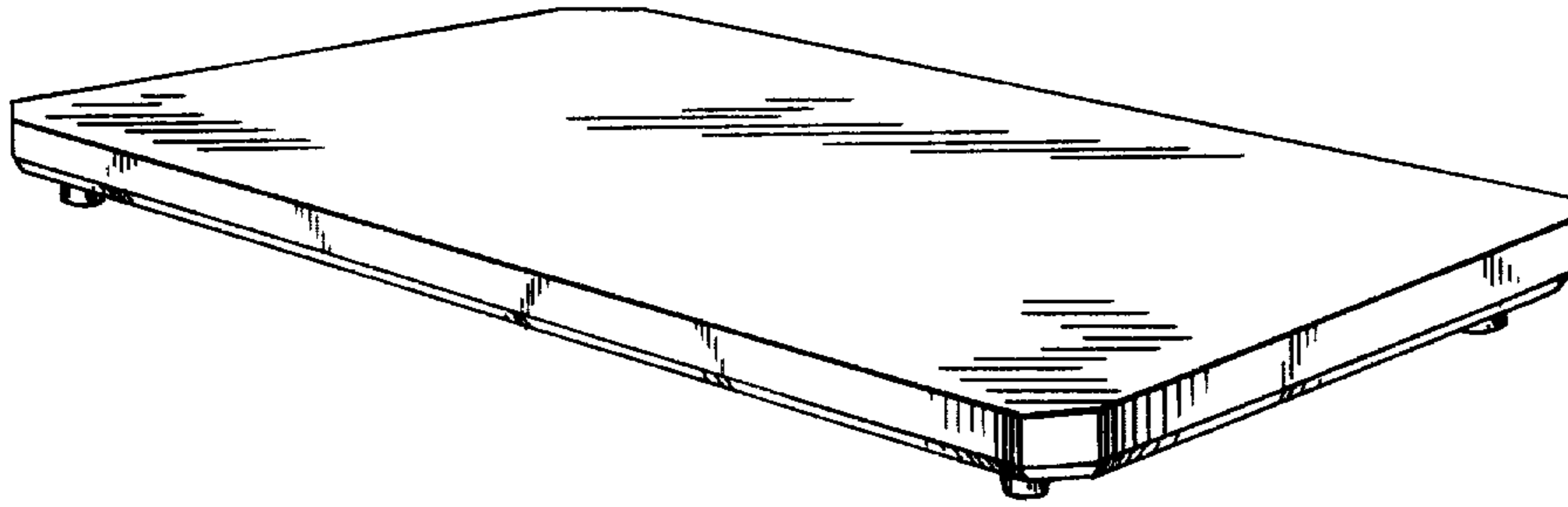


FIG. 1

FIG. 2

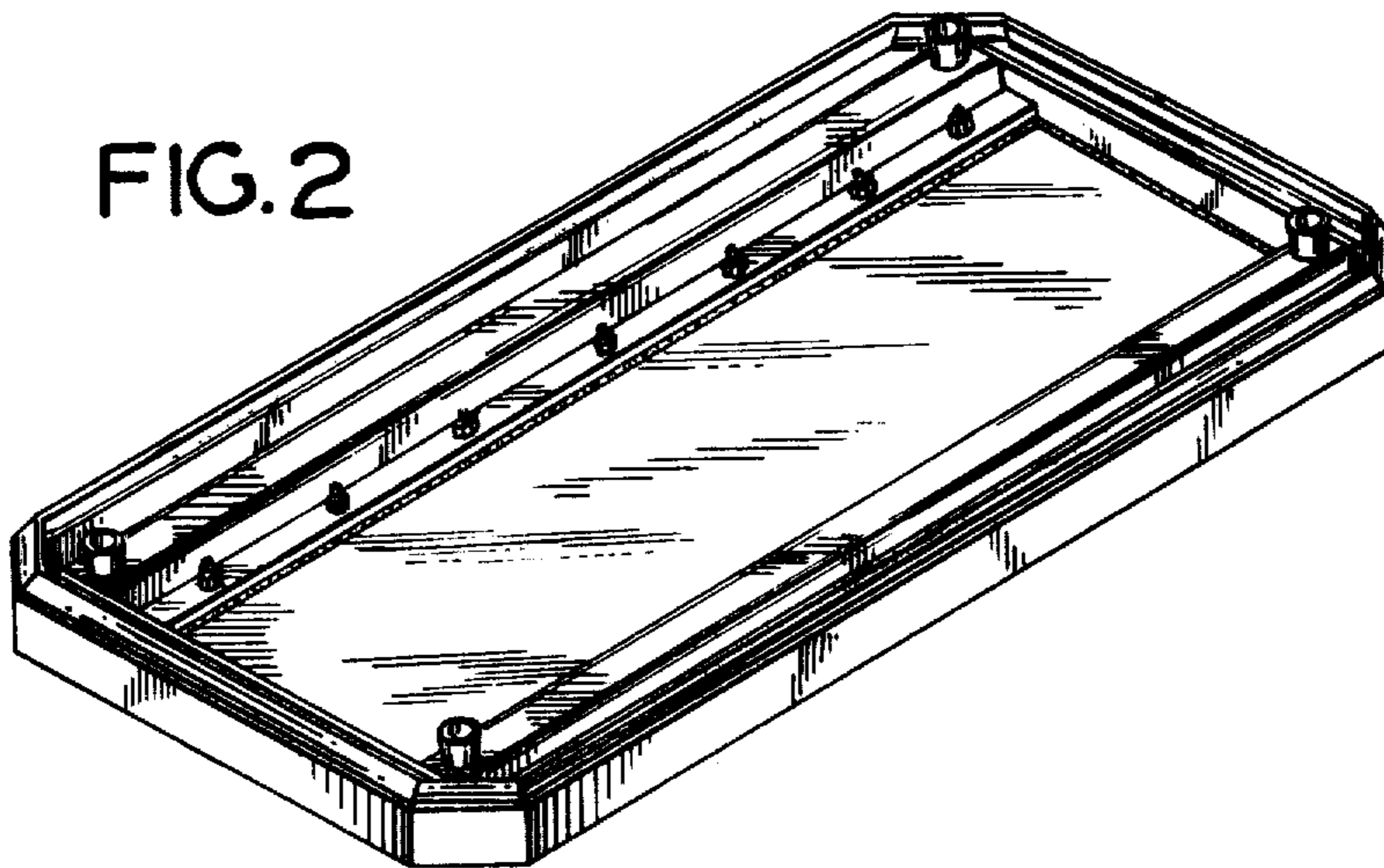


FIG. 3

