

[54] TABLE OR SIMILAR ARTICLE

[76] Inventor: Edward H. Kneale, III, 335 Pleasant Pines Ave., Centerville, Mass. 02632

[\*\*] Term: 14 Years

[21] Appl. No.: 226,482

[22] Filed: Jan. 19, 1981

[52] U.S. Cl. .... D6/179; D6/186

[58] Field of Search ..... D6/177, 179, 181, 186, D6/184, 113

[56] References Cited

U.S. PATENT DOCUMENTS

- D. 154,664 8/1949 Curneal ..... D6/184
- D. 259,317 5/1981 Gilmore ..... D6/186

OTHER PUBLICATIONS

"Erecta Shelf"; Encyclopedia Bookcase End Table top of page second from left.  
*Interiors* Aug. 1956 p. 110; Wooden Bench bottom of page.  
*Domus* Jan. 1975 inside backcover; Table on page.

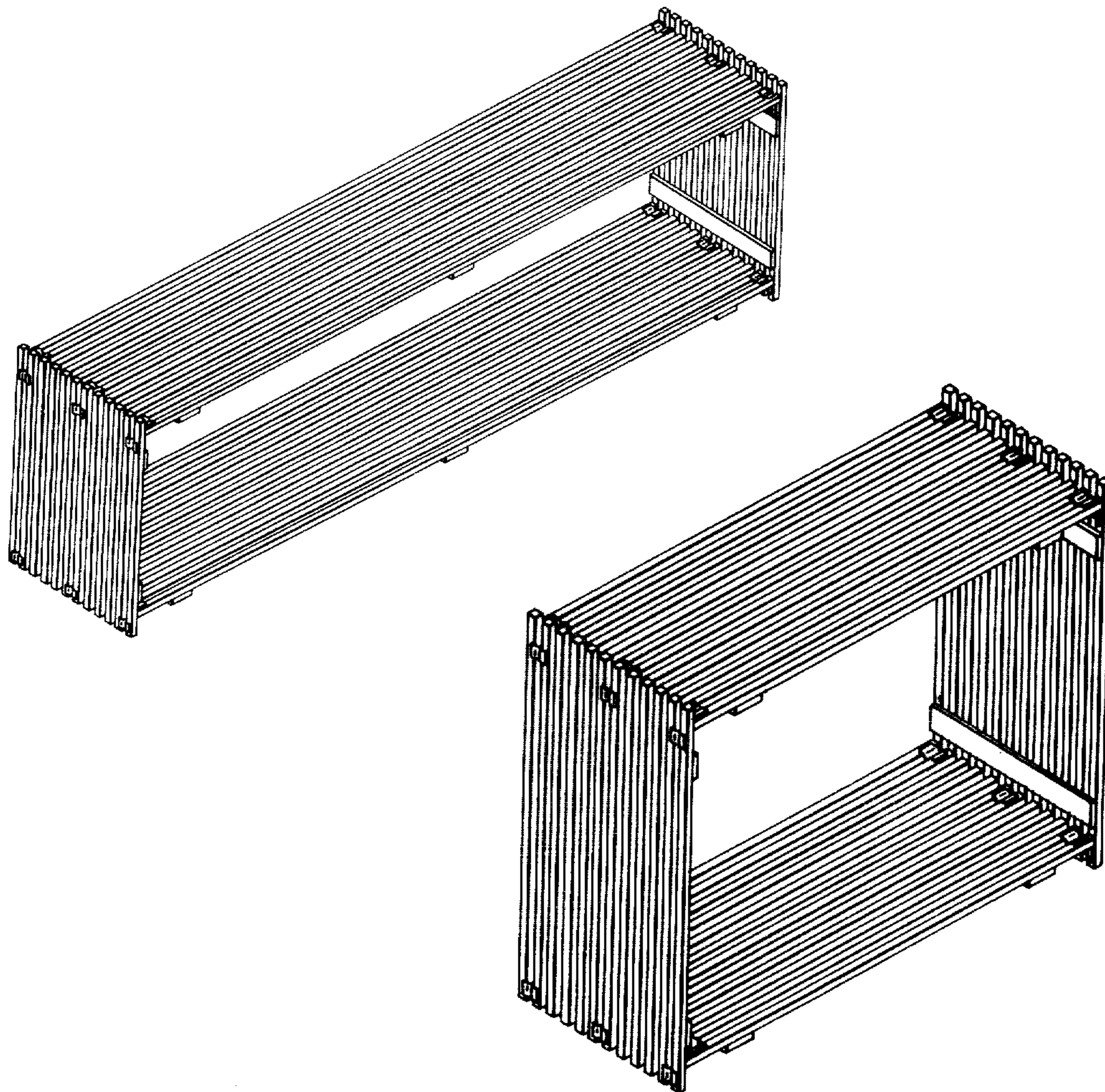
Primary Examiner—Joel Stearman  
 Assistant Examiner—Carmen H. Vales  
 Attorney, Agent, or Firm—Irvin A. Lavine

[57] CLAIM

The ornamental design for a table or similar article, as shown and described.

DESCRIPTION

FIG. 1 is a perspective view of a table or similar article showing my new design;  
 FIG. 2 is an end elevational view thereof;  
 FIG. 3 is a front elevational view, the rear being identical thereto;  
 FIG. 4 is a top plan view thereof;  
 FIG. 5 is a bottom plan view thereof;  
 FIG. 6 is a perspective view of a modified form of the table shown in FIG. 1;  
 FIG. 7 is an end elevational view thereof;  
 FIG. 8 is a front elevational view the rear view being identical thereto;  
 FIG. 9 is a top plan view thereof; and  
 FIG. 10 is a bottom plan view thereof.





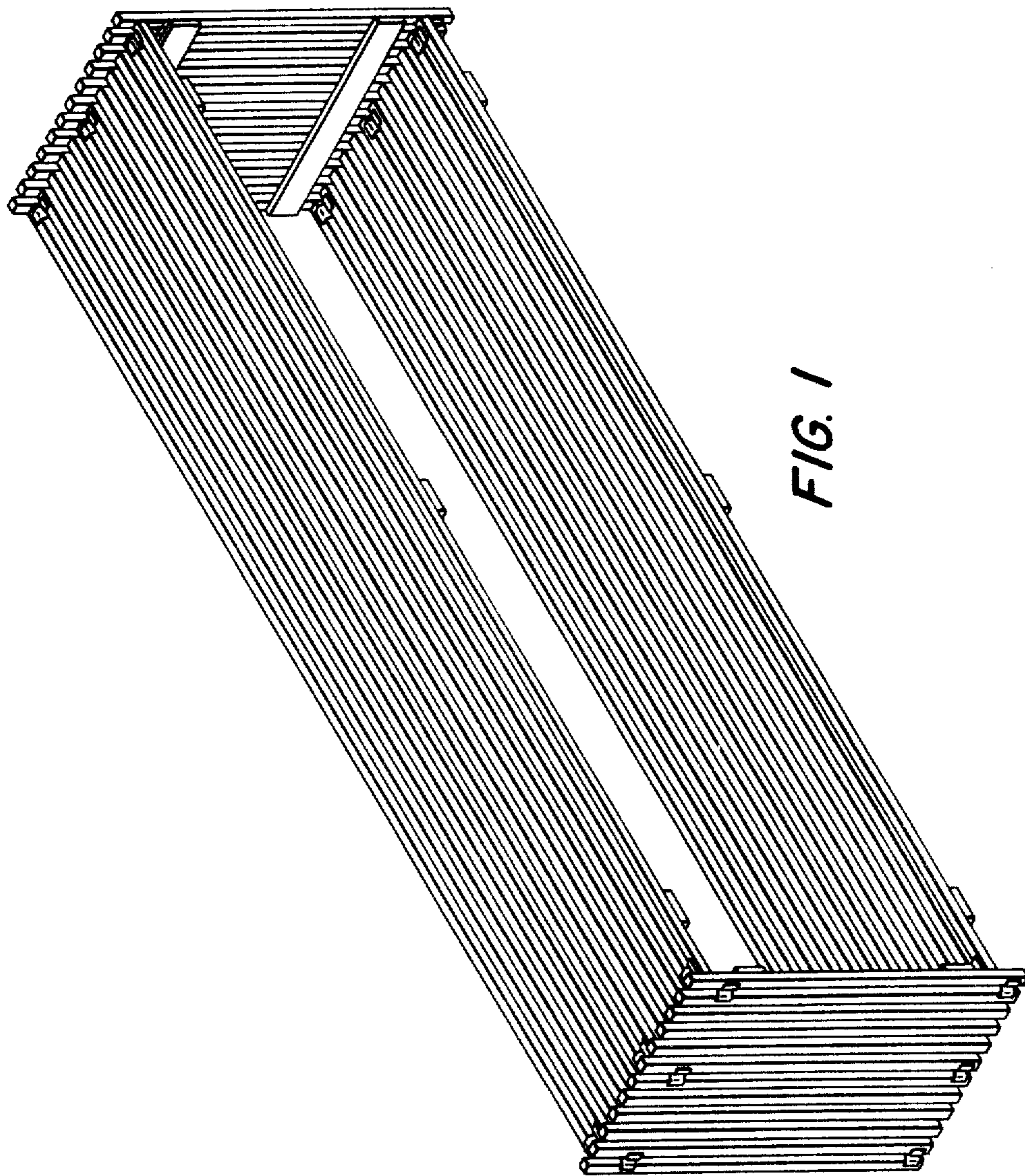


FIG. 1

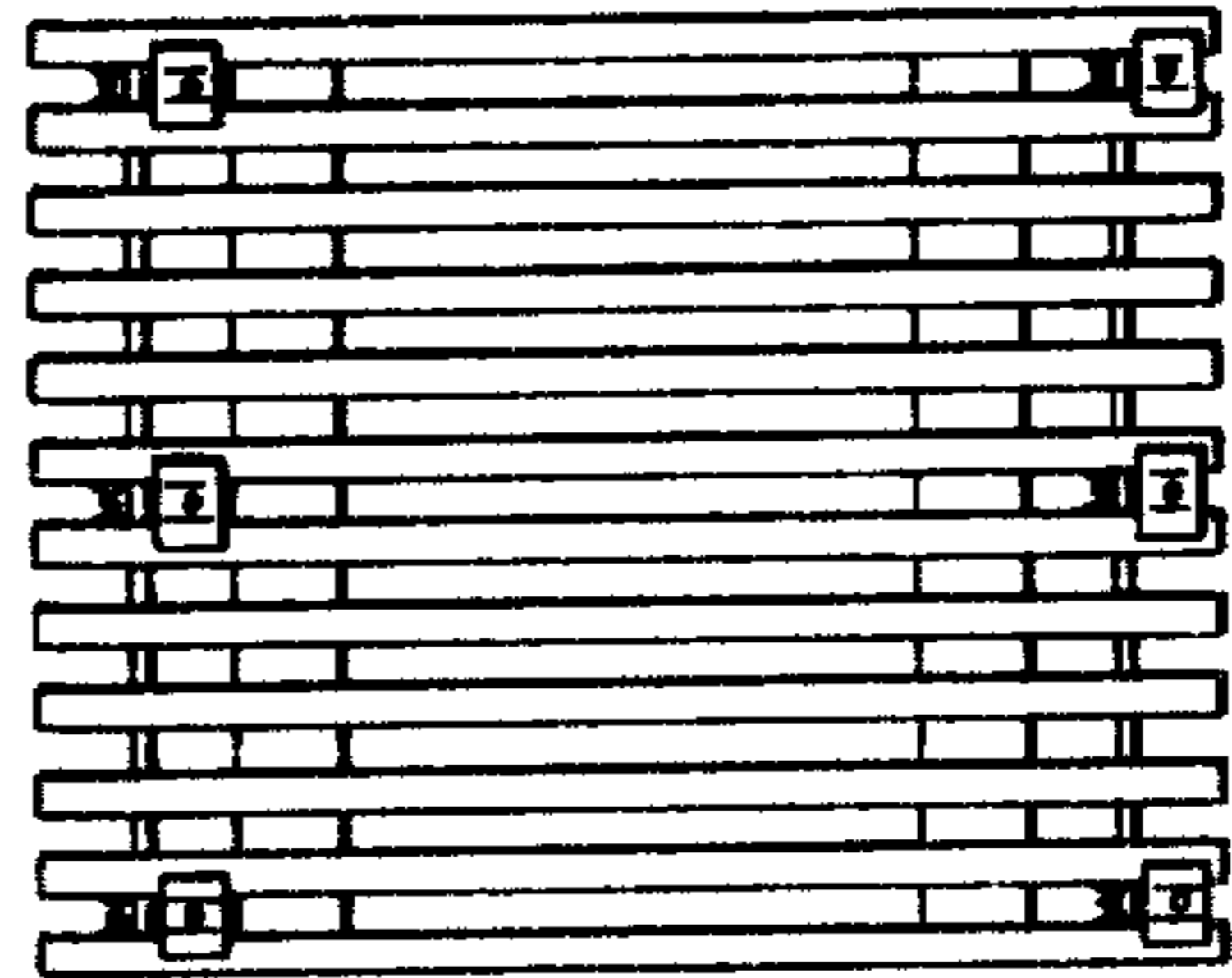
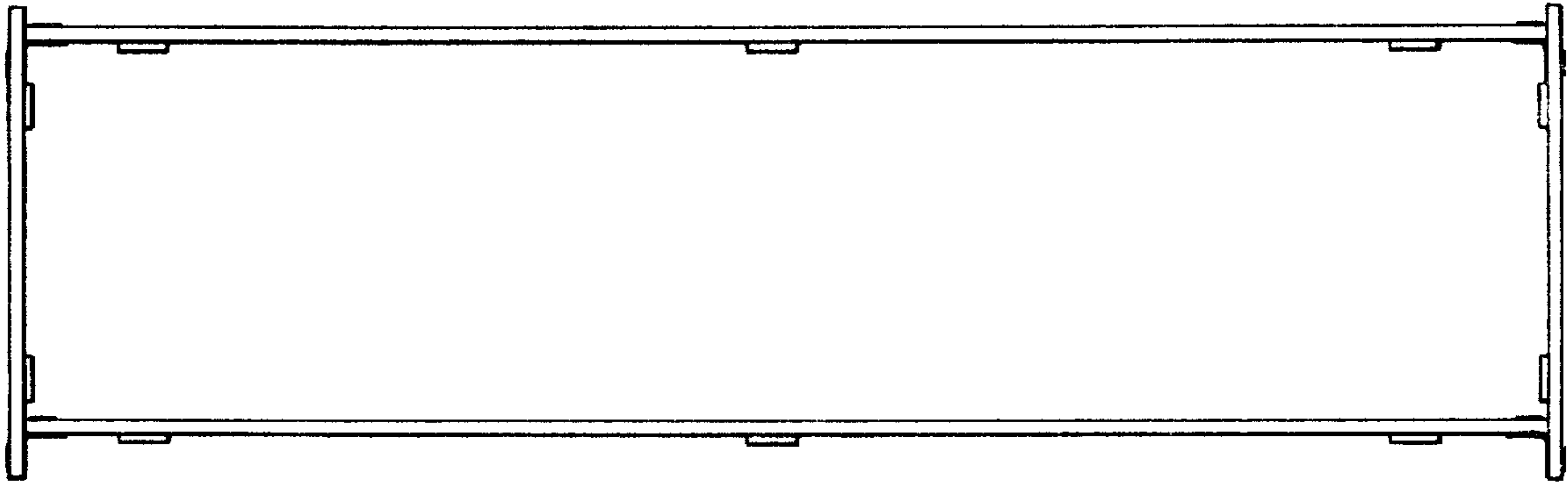
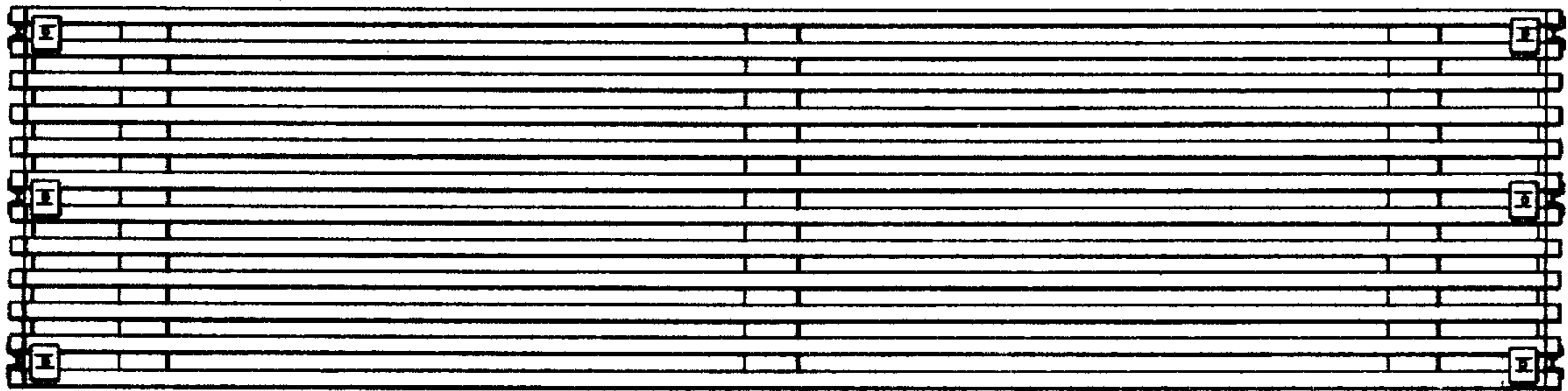


FIG. 2



*FIG. 3*

*FIG. 4*



*FIG. 5*

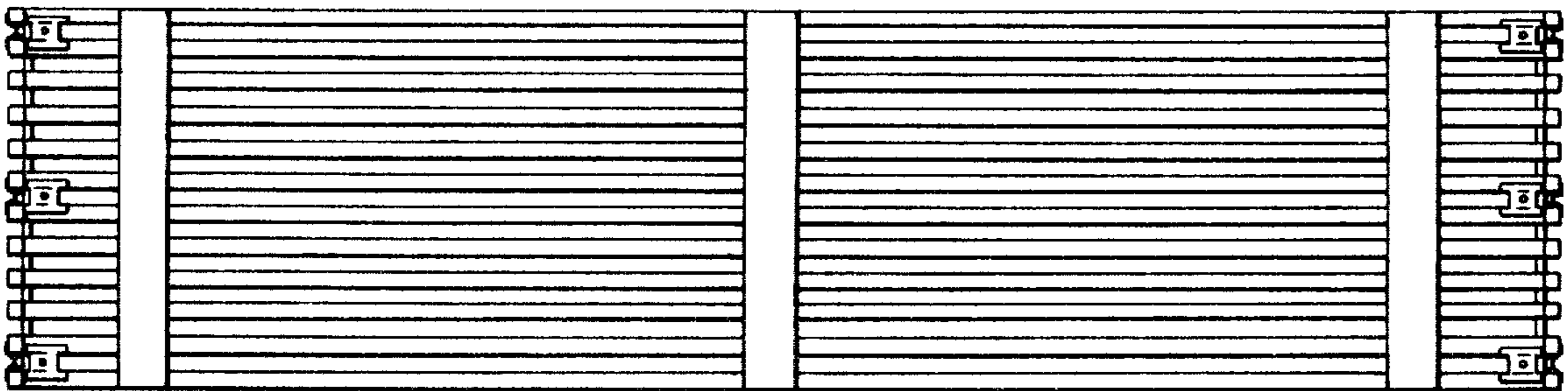


FIG. 7

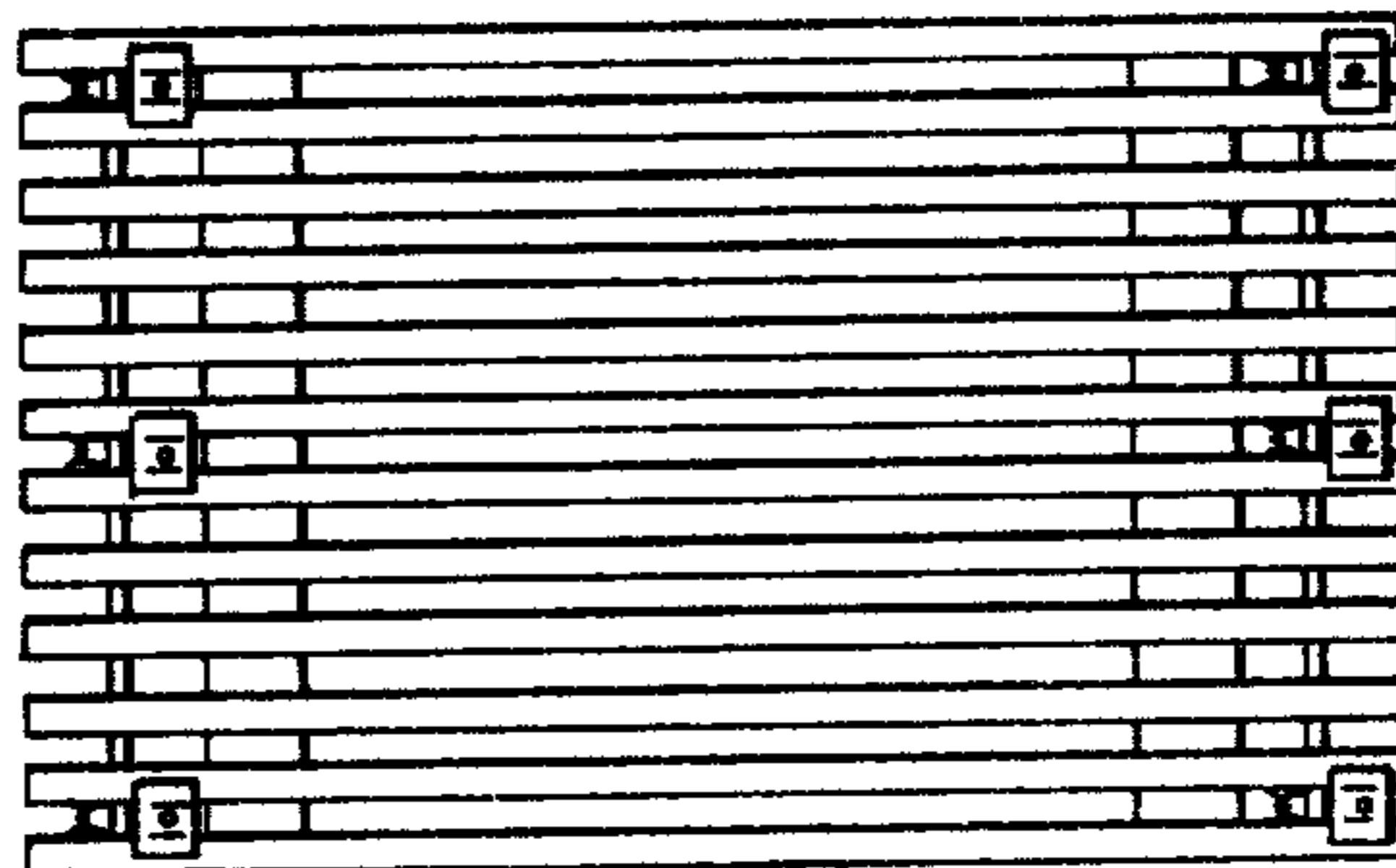
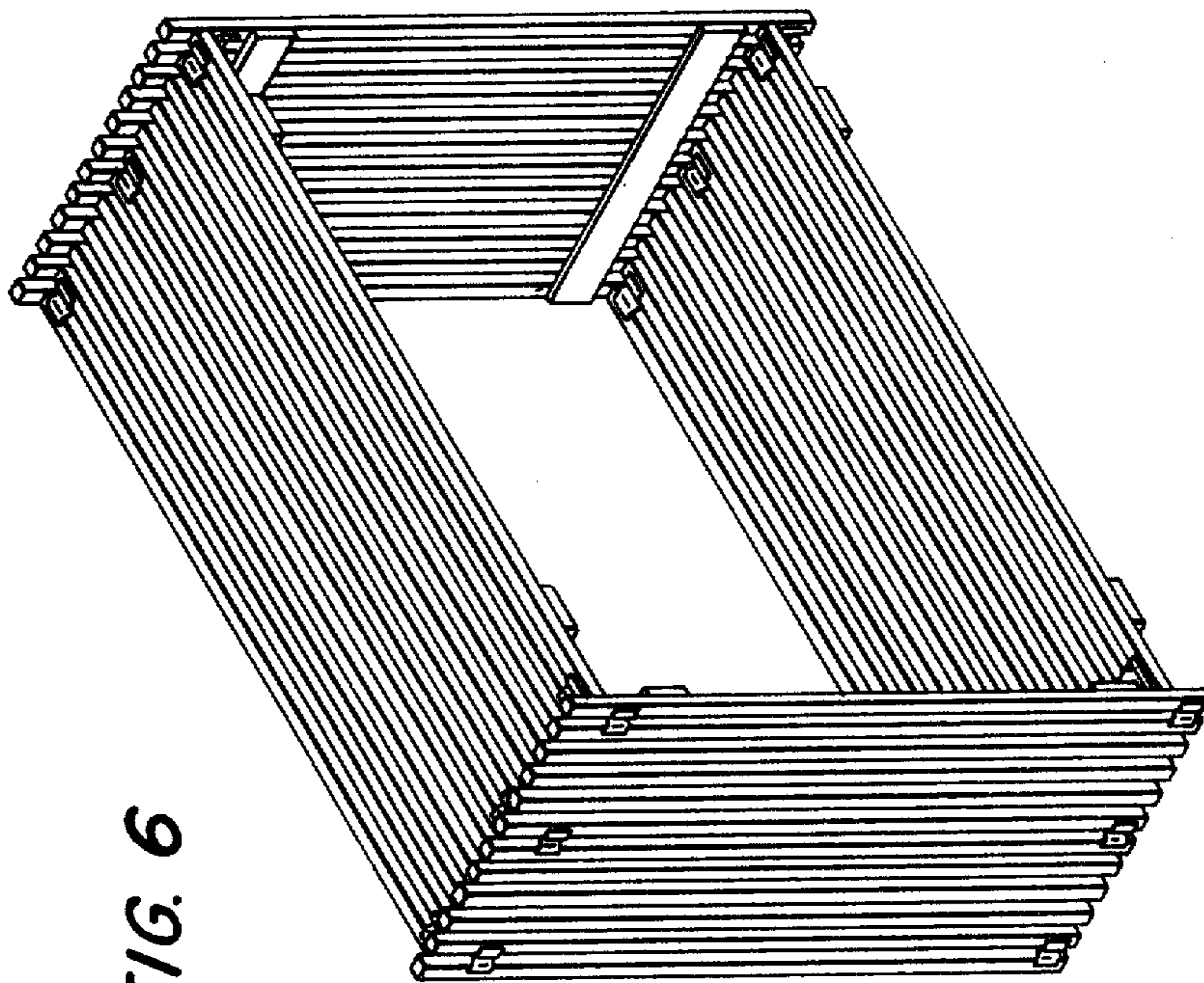
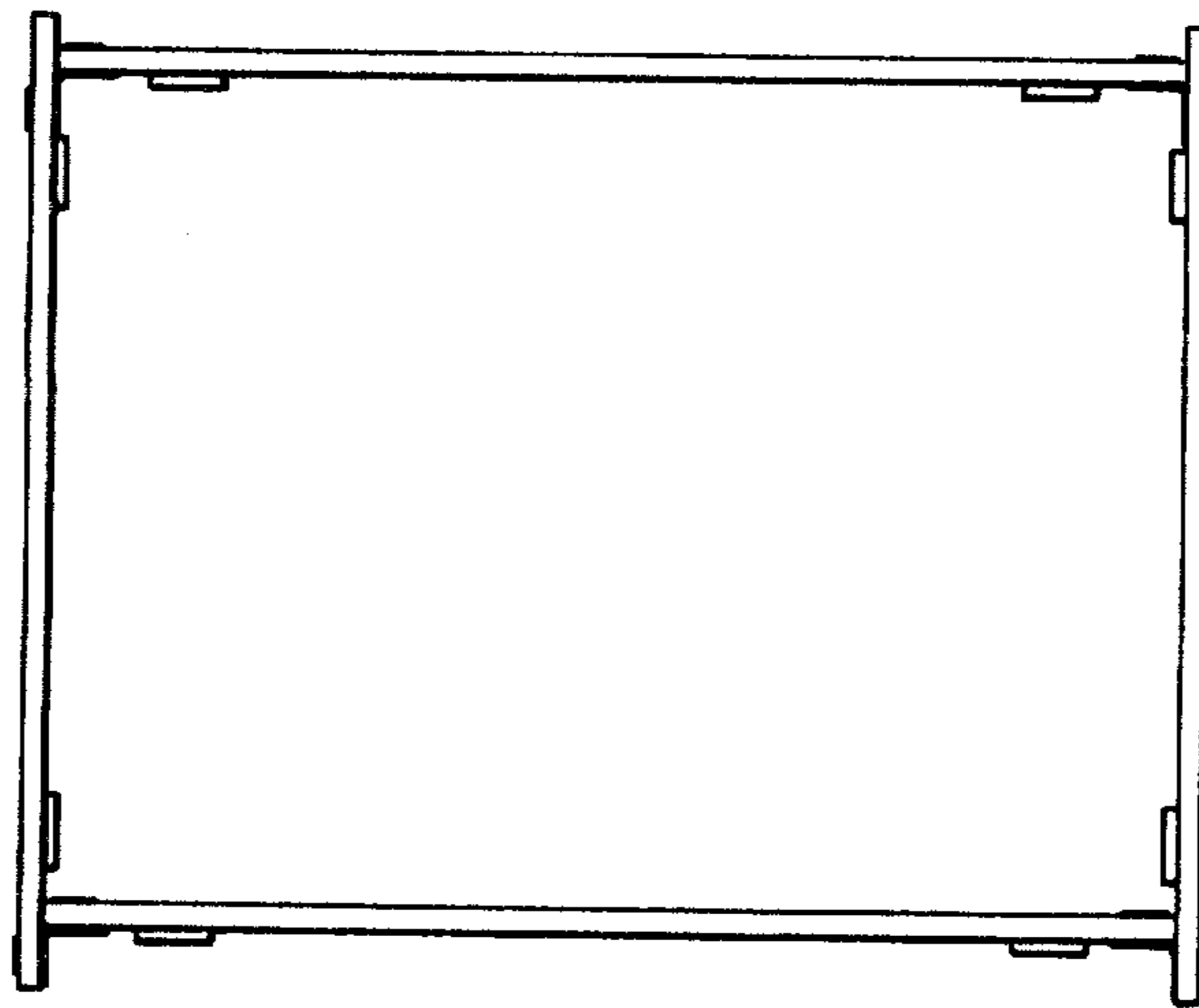


FIG. 6

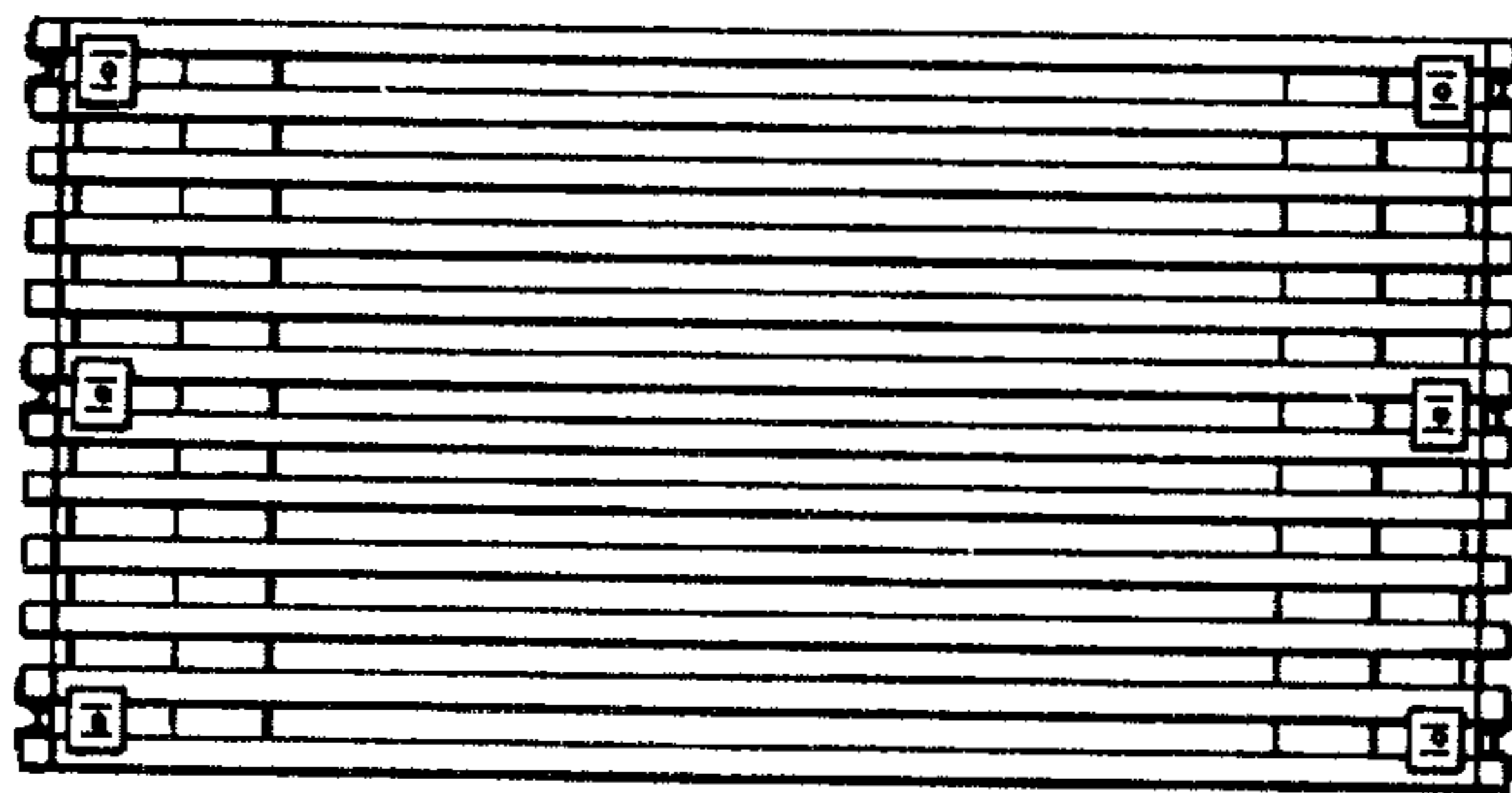




*FIG. 8*



*FIG. 9*



*FIG. 10*

