

[54] **SHEET MATERIAL DISPENSER**

[76] Inventor: **Douglas K. Gatward**, 1212, Great Cambridge Rd., Enfield, Middlesex, England

[\*\*] Term: **14 Years**

[21] Appl. No.: **233,142**

[22] Filed: **Feb. 10, 1981**

[30] **Foreign Application Priority Data**

Aug. 20, 1980 [GB] United Kingdom ..... 996212  
[52] U.S. Cl. .... **D6/96**  
[58] Field of Search ..... **D6/89-90,**  
**D6/96-98; D24/29; 242/55.2, 55.53; 312/39**

[56] **References Cited**

**U.S. PATENT DOCUMENTS**

D. 201,298 6/1965 Bahnsen ..... **D6/96**  
D. 236,226 8/1975 Ganois ..... **D6/96**  
1,897,969 2/1933 Graham ..... **242/55.53**  
2,722,387 11/1955 Tuttle ..... **312/39**

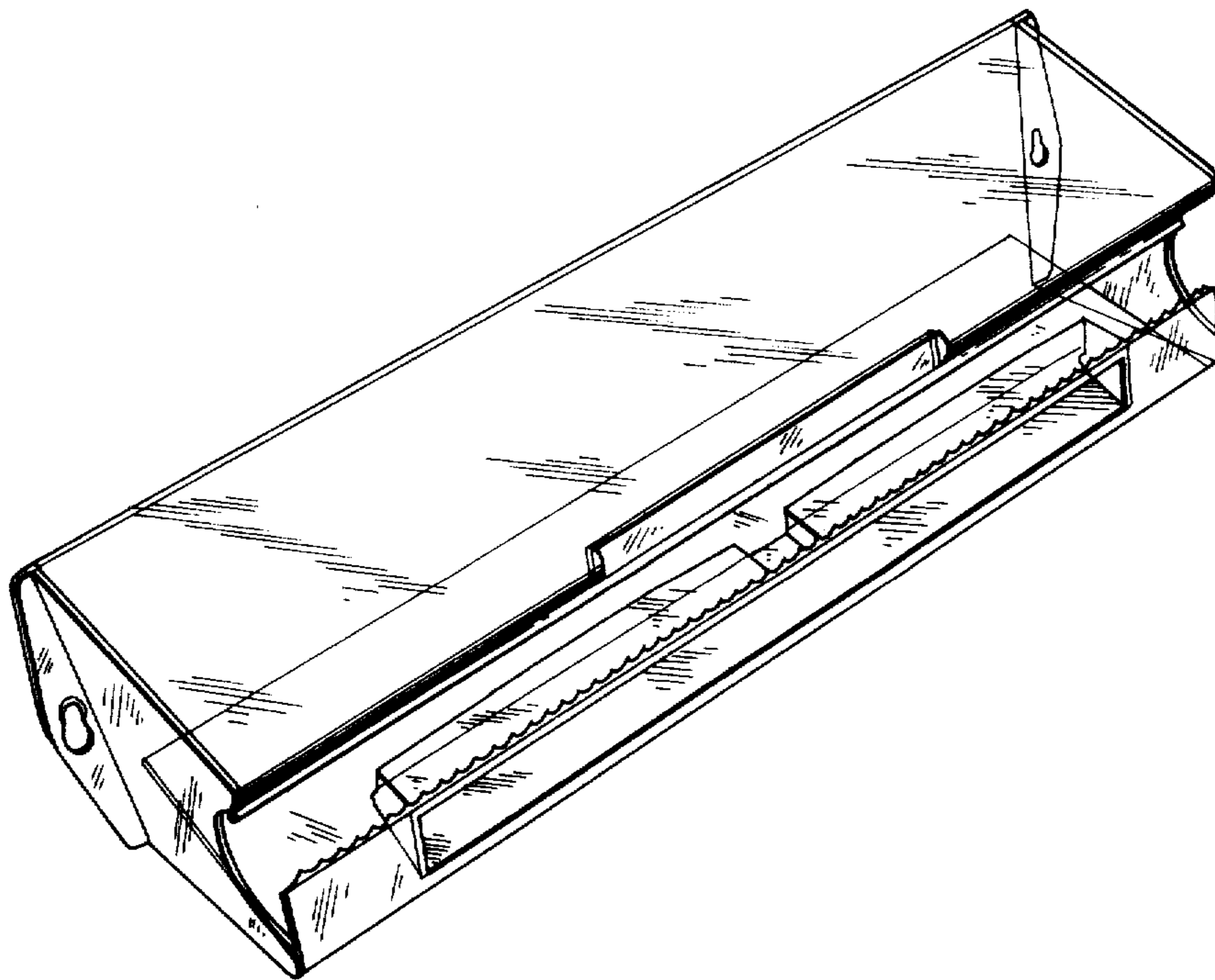
*Primary Examiner*—Susan J. Lucas  
*Assistant Examiner*—Suzanne N. Gitlin  
*Attorney, Agent, or Firm*—Wigman & Cohen

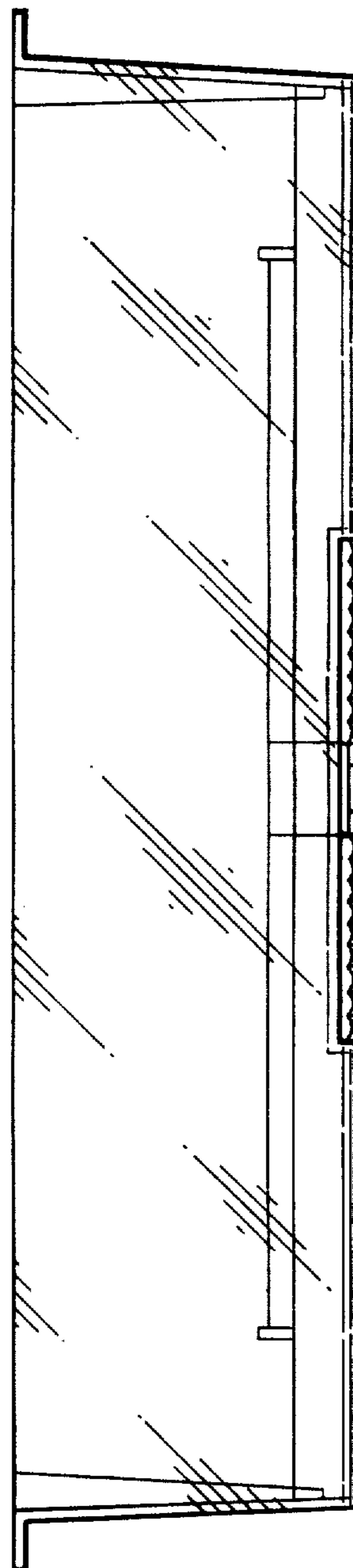
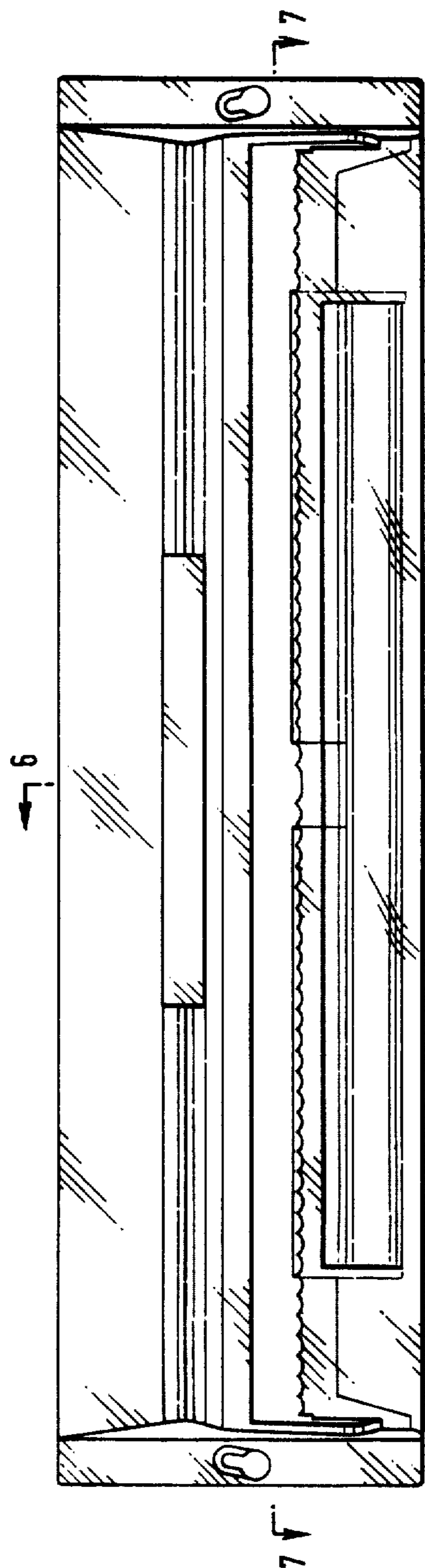
[57] **CLAIM**

The ornamental design for a sheet material dispenser, as shown and described.

**DESCRIPTION**

FIG. 1 is a front elevation view of a sheet material dispenser showing my new design;  
FIG. 2 is a top plan view thereof;  
FIG. 3 is a rear elevational view thereof;  
FIG. 4 is a bottom plan view thereof;  
FIG. 5 is a side elevational view thereof, the opposite side being substantially the same;  
FIG. 6 is a sectional view on line 6—6 of FIG. 1;  
FIG. 7 is a sectional view on line 7—7 of FIG. 1;  
FIG. 8 is a front top and one side perspective view thereof;  
FIG. 9 is a rear bottom and one side perspective view thereof.





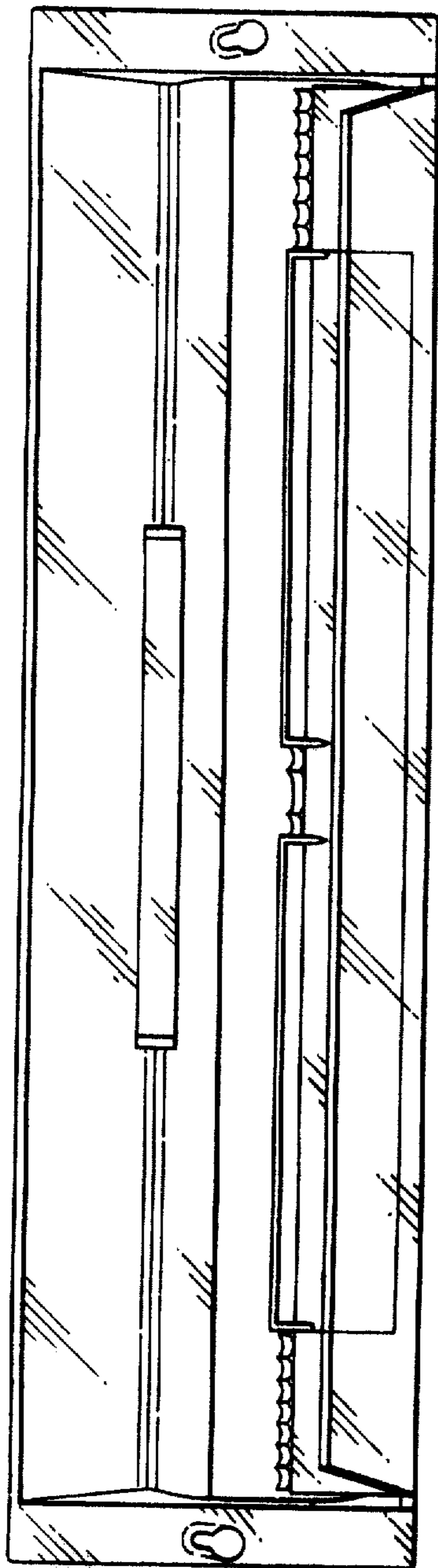


FIG. 3.

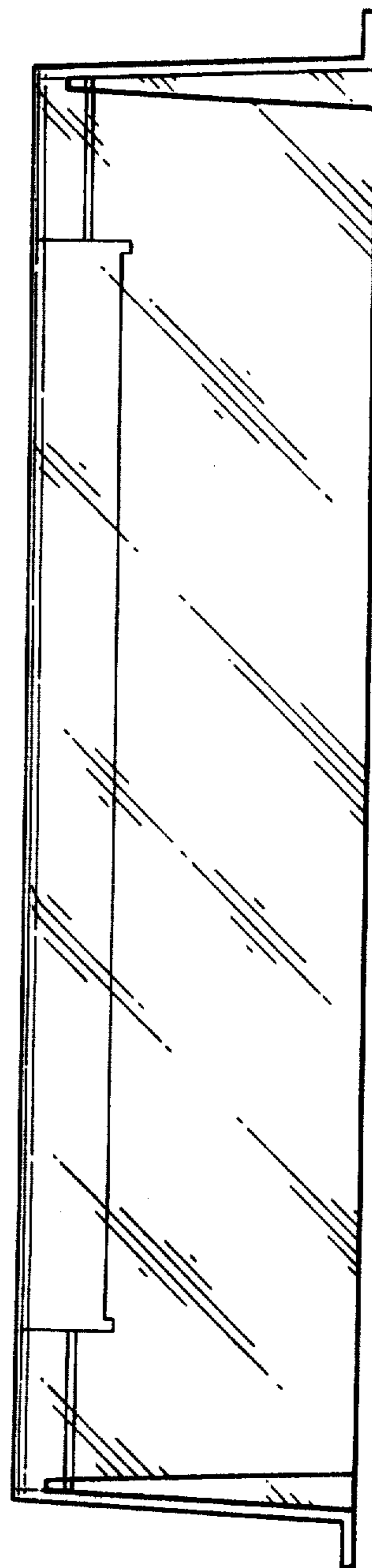


FIG. 4.

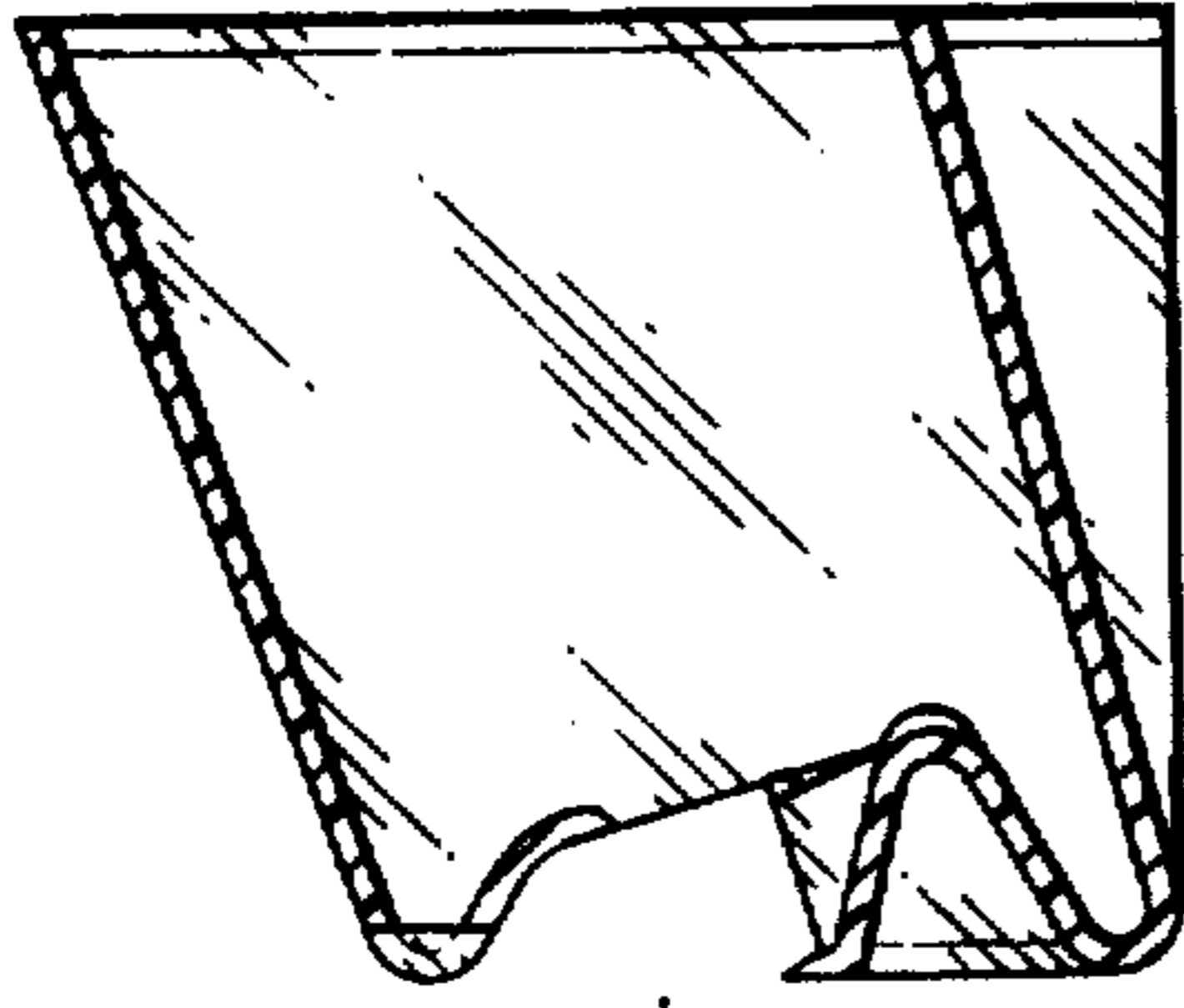


FIG. 5.

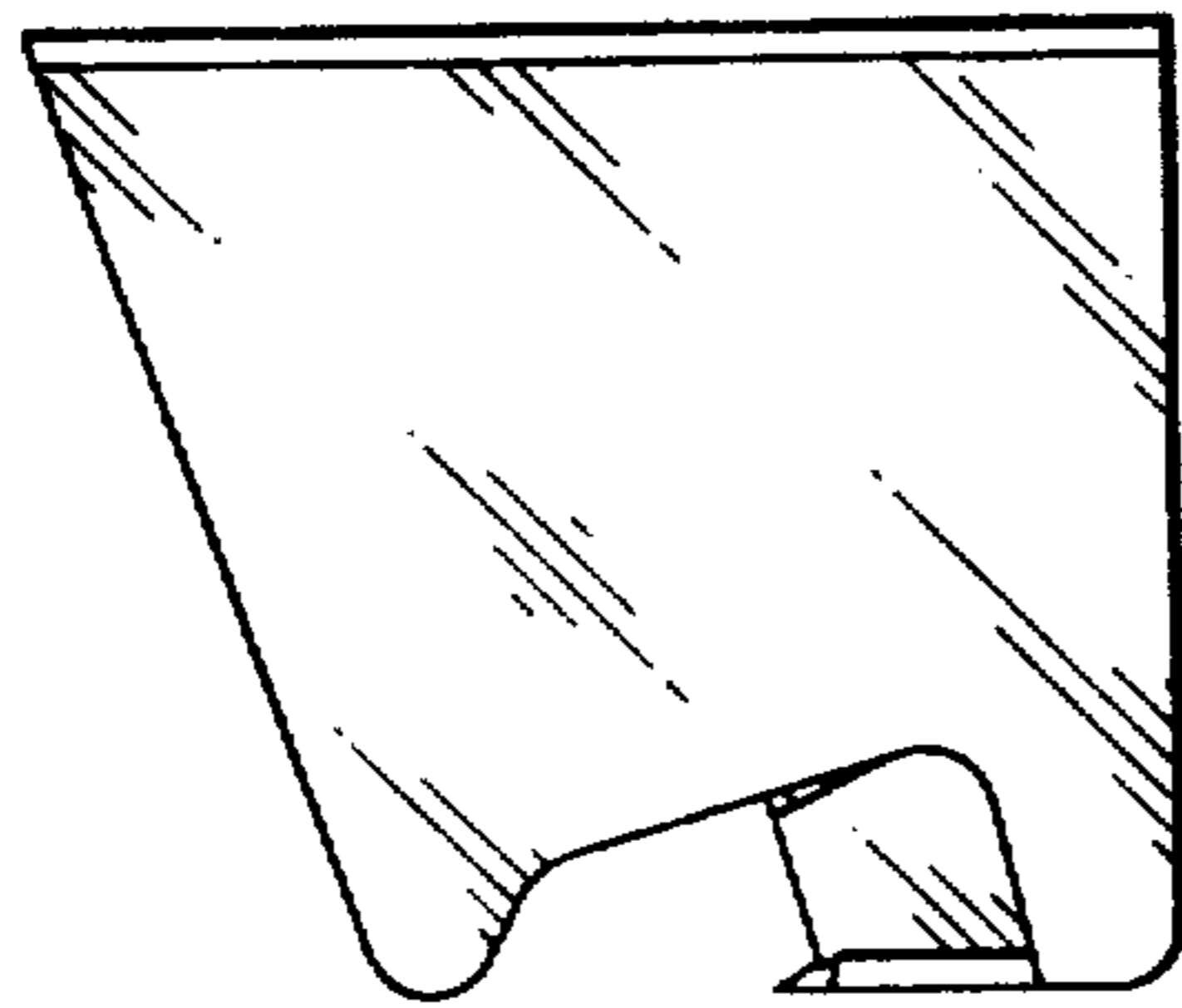
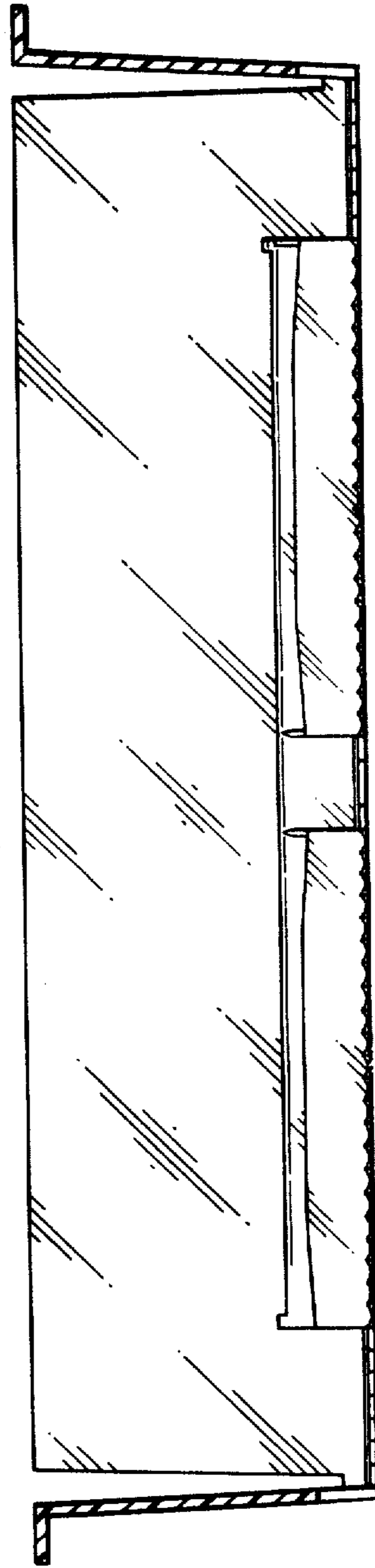


FIG. 6.

FIG. 7.



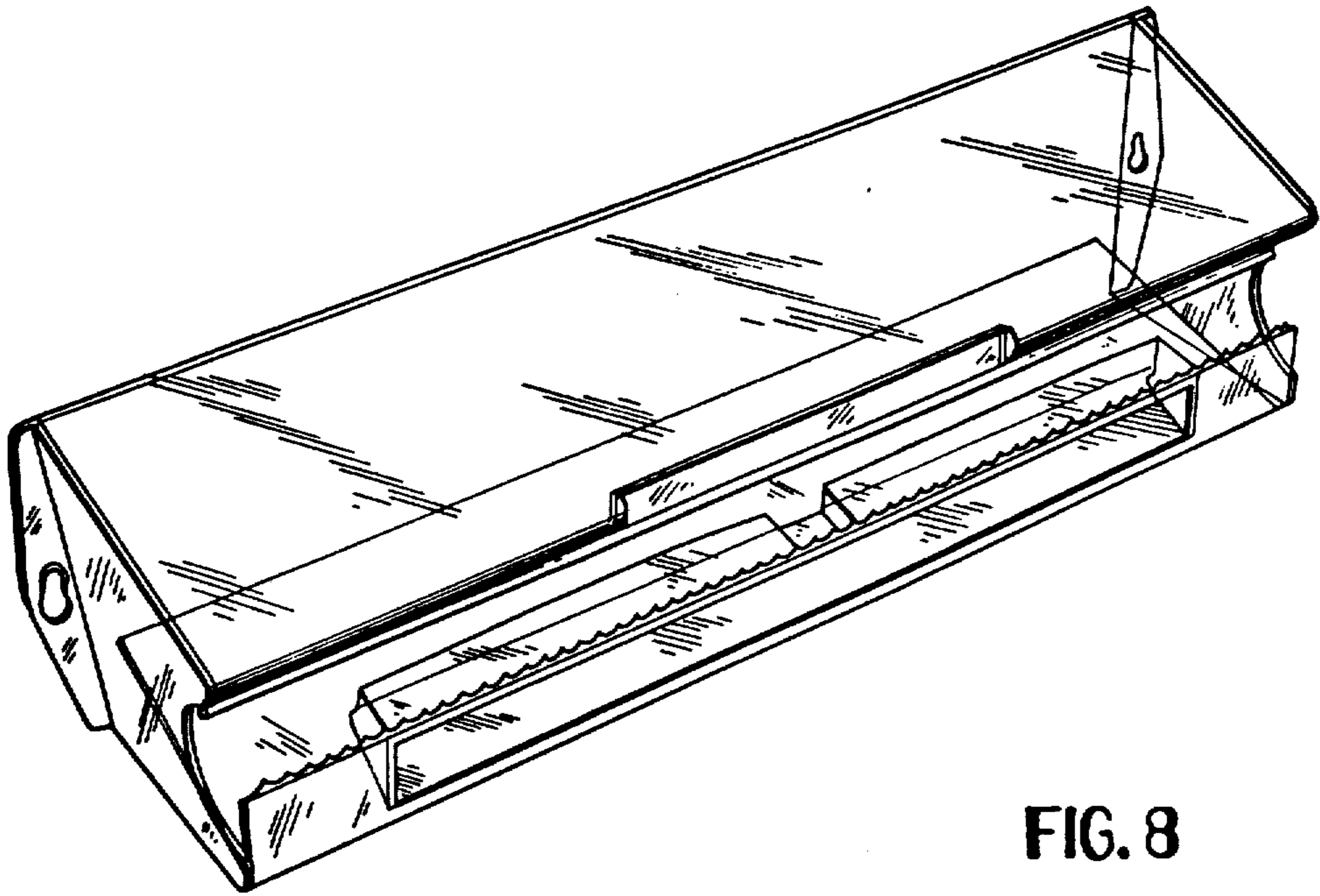


FIG. 8

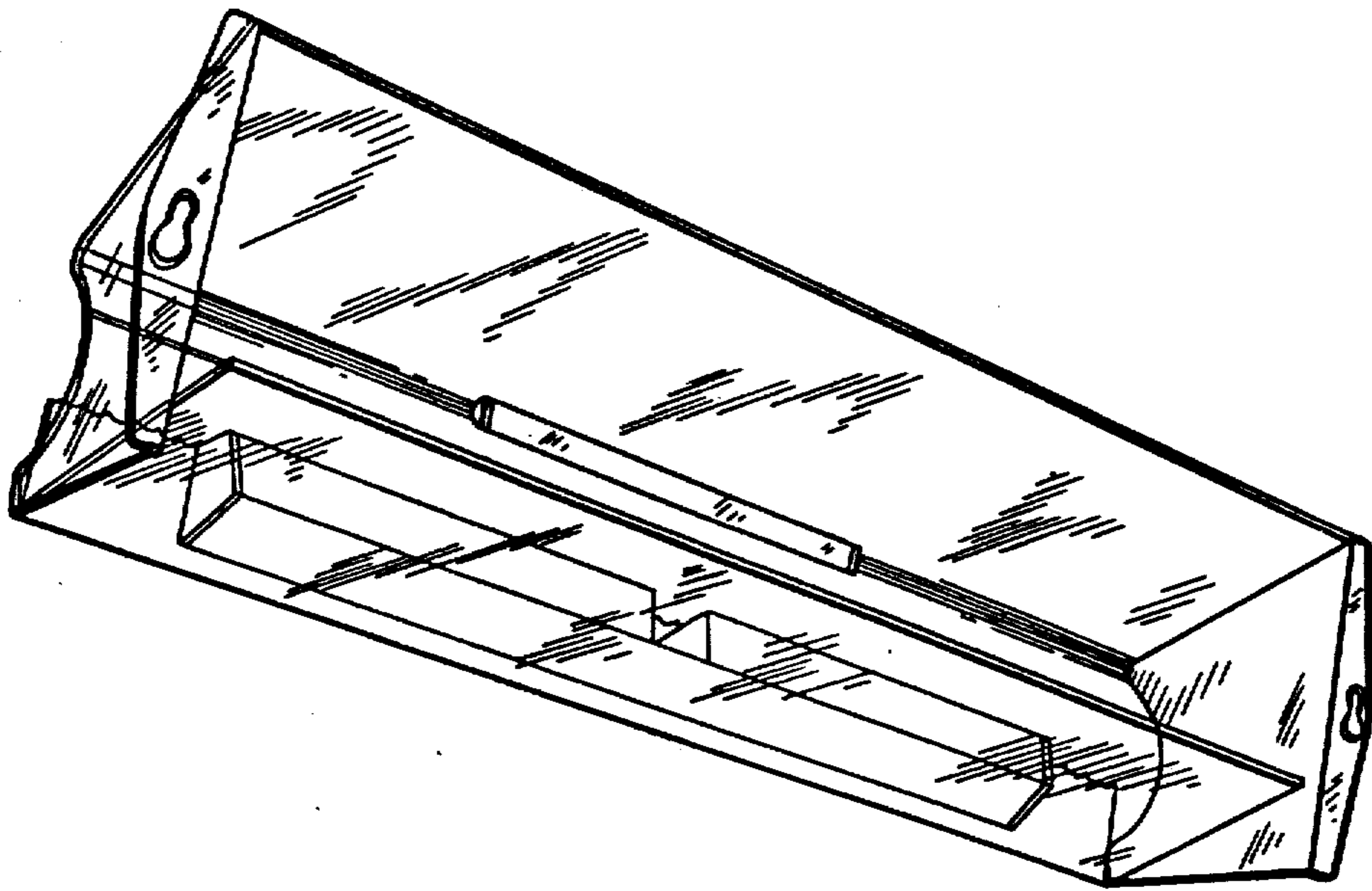


FIG. 9