

[54] **ROCKING CHAIR**

[76] Inventor: **Aldwin K. Goff**, Rte. 2, Box 31-O,  
Ochlochnee, Ga. 31773

[\*\*] Term: **14 Years**

[21] Appl. No.: **331,637**

[22] Filed: **Dec. 17, 1981**

[52] U.S. Cl. .... **D6/49**

[58] Field of Search ..... **D6/49-73;**  
**297/258, 259, 260**

[56] **References Cited**

**U.S. PATENT DOCUMENTS**

- |            |         |               |       |       |
|------------|---------|---------------|-------|-------|
| D. 229,731 | 1/1974  | Walsh         | ..... | D6/70 |
| D. 237,919 | 12/1975 | Chapin et al. | ..... | D6/49 |
| D. 253,623 | 12/1979 | Berlic        | ..... | D6/49 |

**OTHER PUBLICATIONS**

Good Housekeeping, Feb. 1981, p. 134, Rocker in panel 7 by Habersham.

*Primary Examiner*—Bruce W. Dunkins  
*Attorney, Agent, or Firm*—B. P. Fishburne, Jr.

[57] **CLAIM**

The ornamental design for a rocking chair, as shown.

**DESCRIPTION**

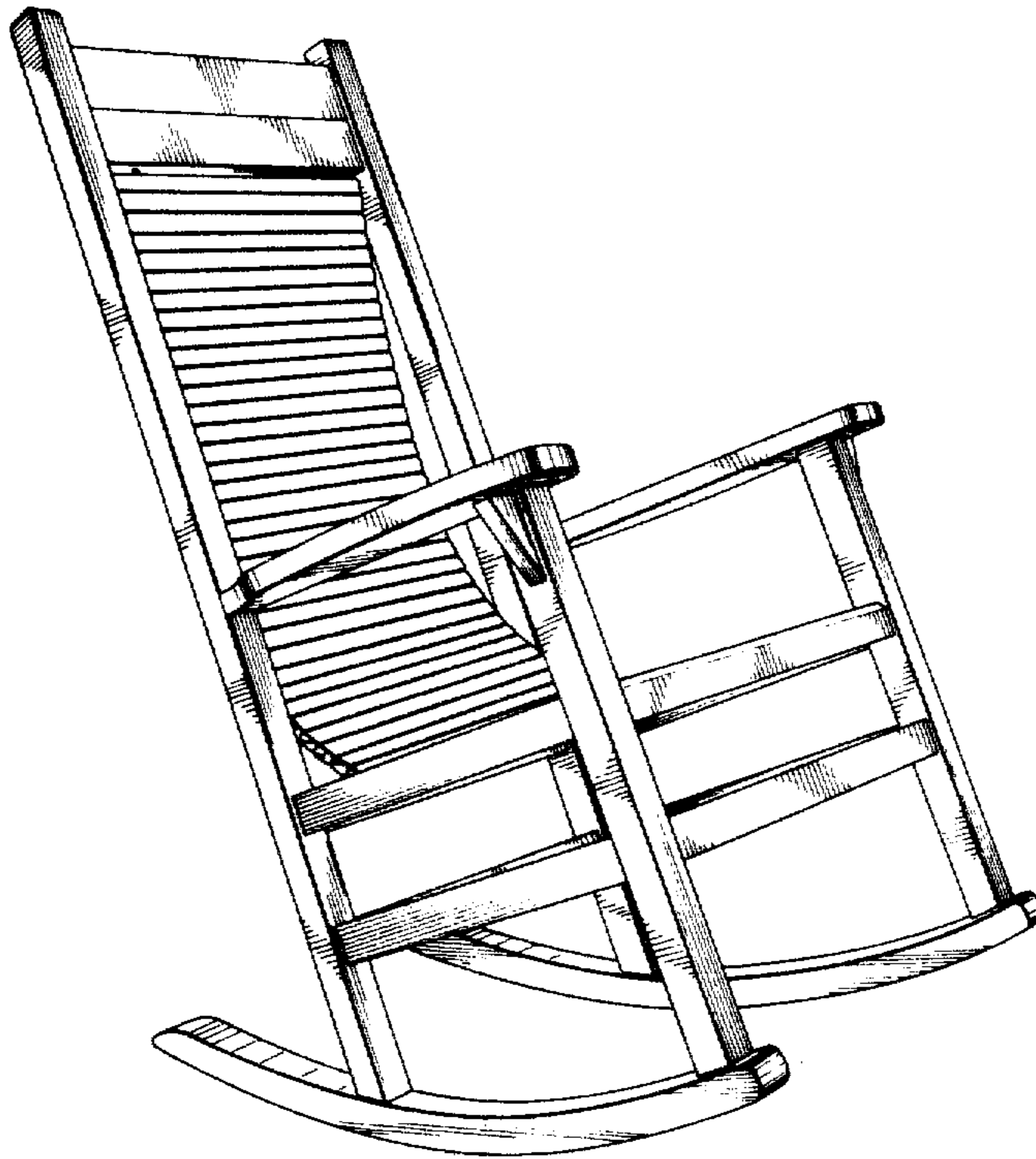
FIG. 1 is a perspective view of a rocking chair showing my design.

FIG. 2 is a side elevation thereof.

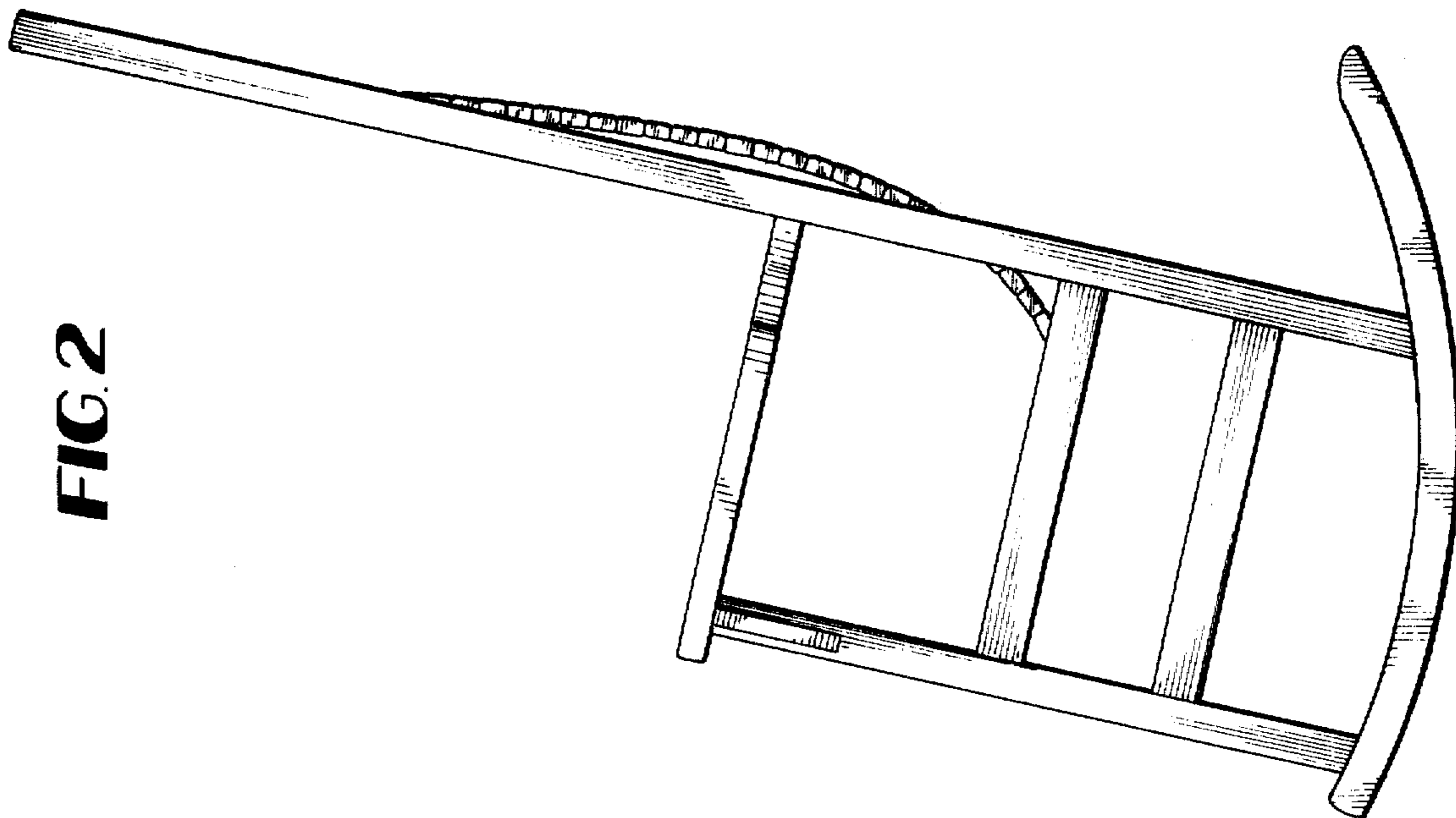
FIG. 3 is a rear elevation thereof.

FIG. 4 is a front elevation thereof.

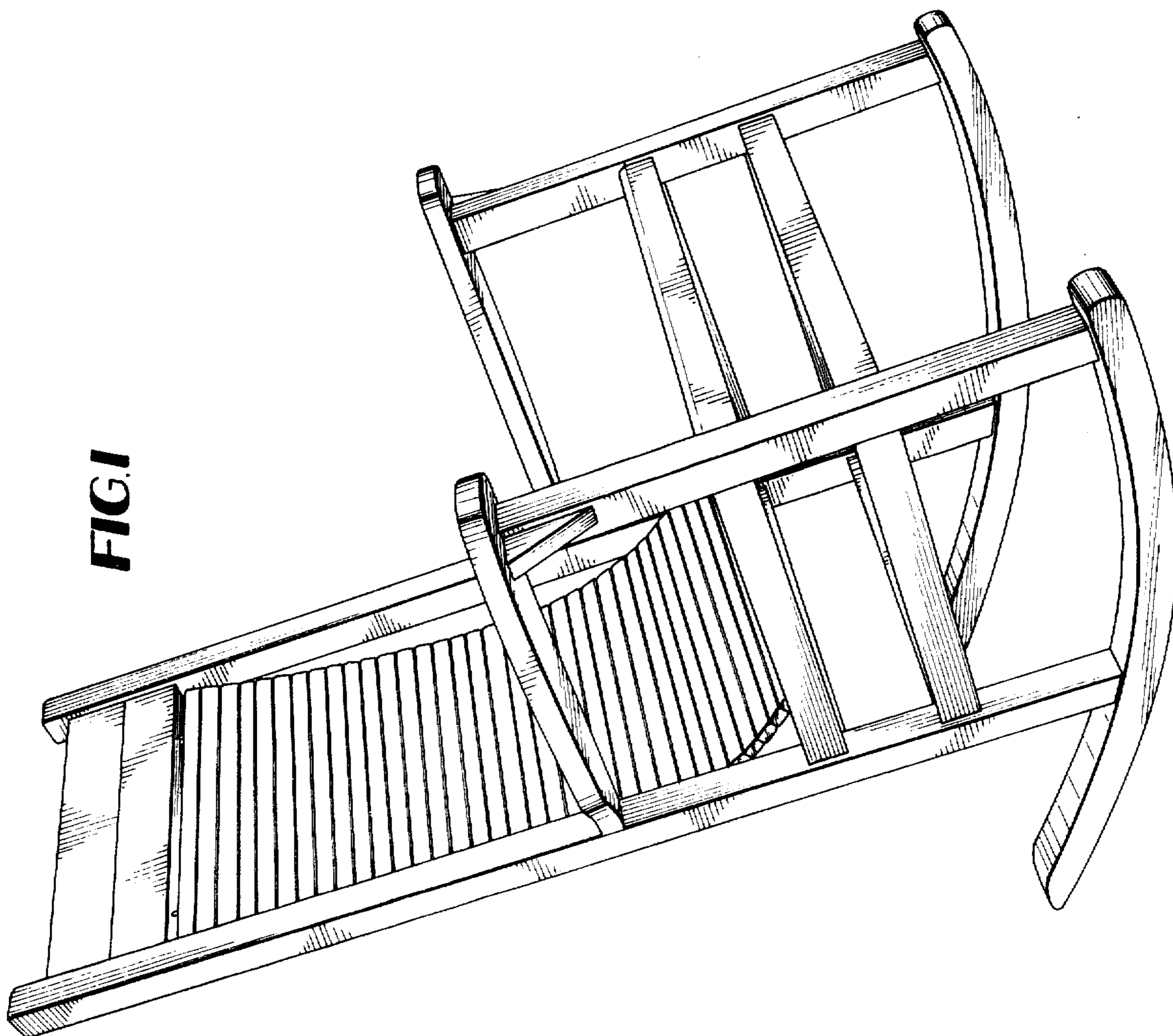
FIG. 5 is a plan view thereof.

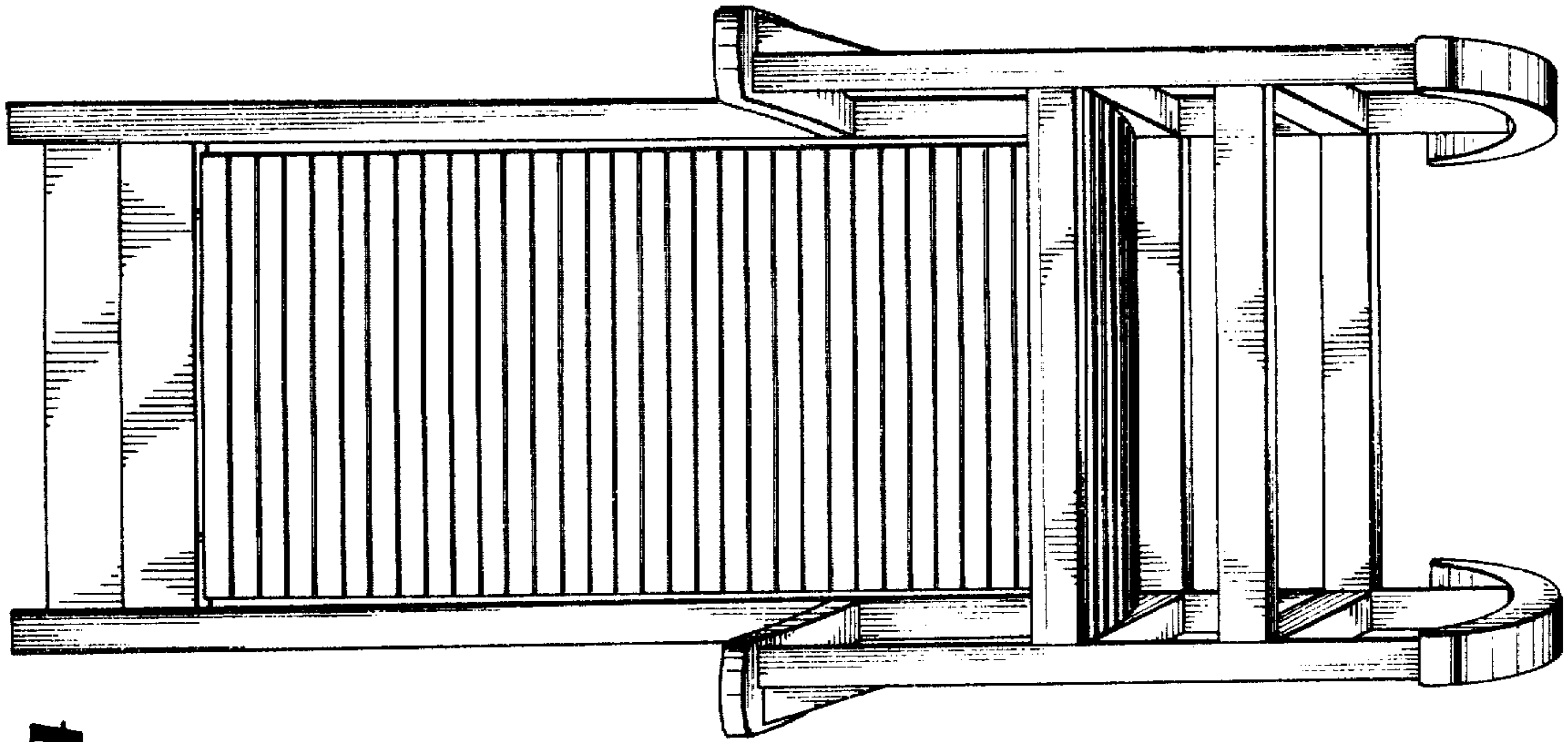


**FIG. 2**

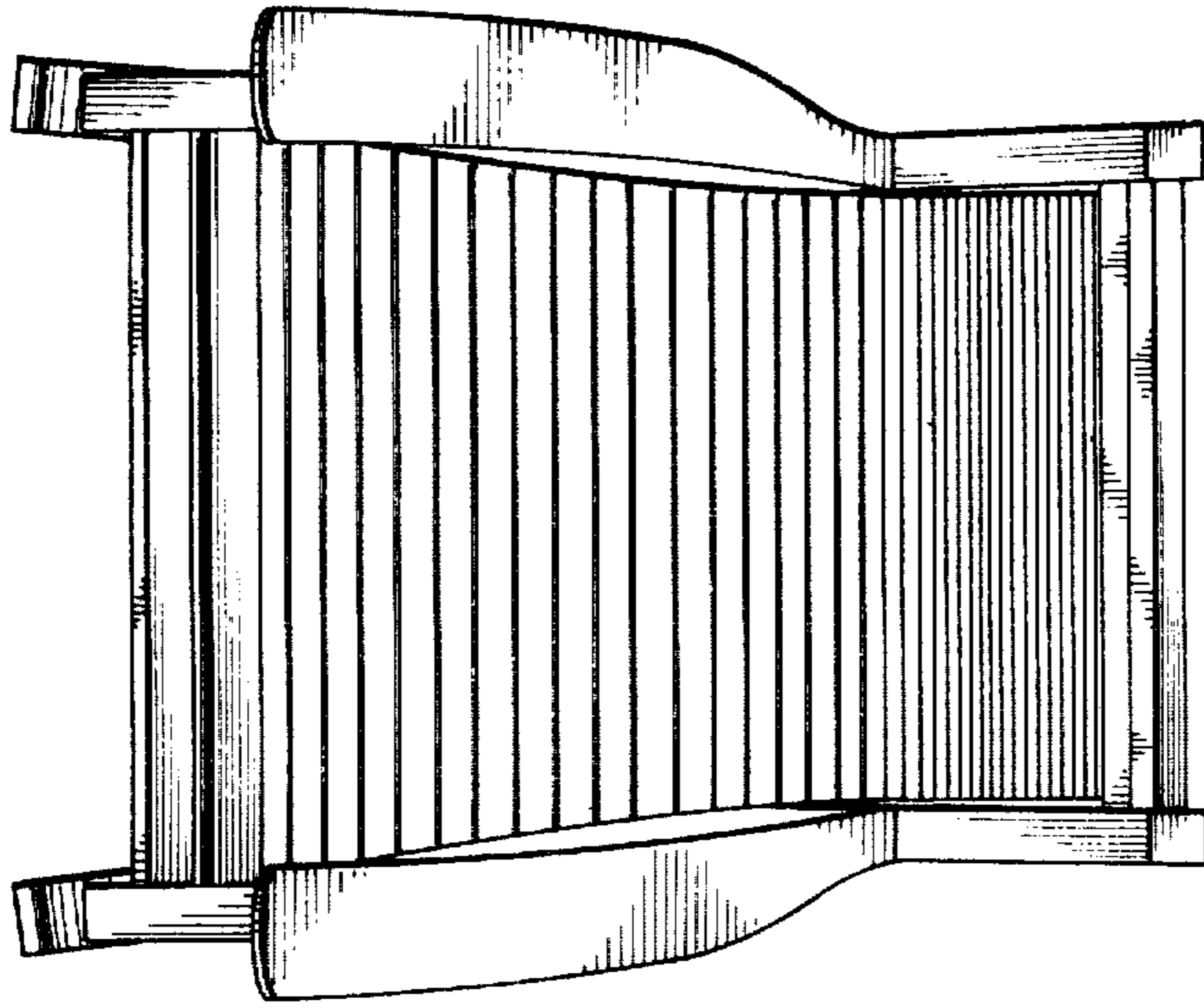


**FIG. 1**

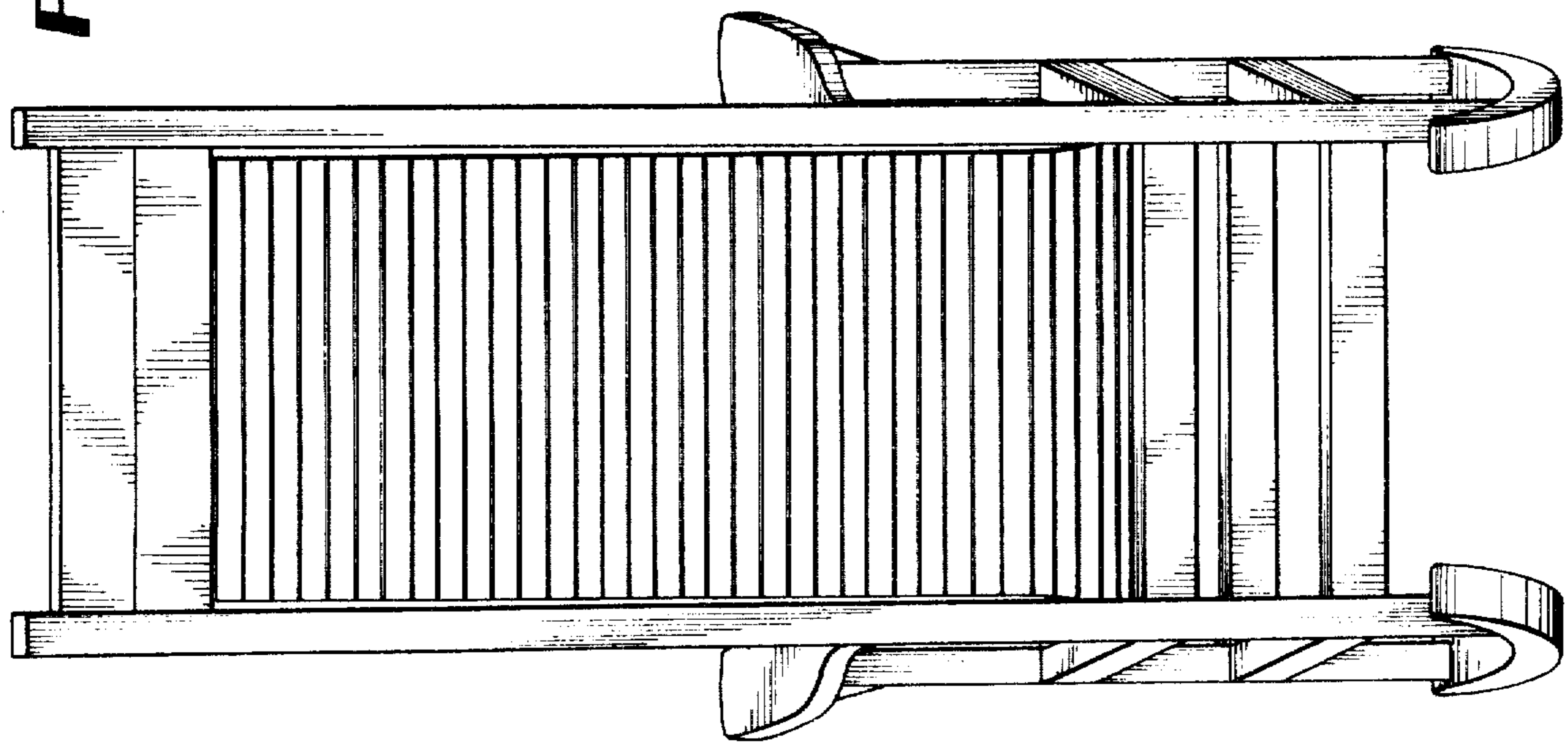




**FIG. 4**



**FIG. 5**



**FIG. 3**