

[54] **LINT REMOVER**

[75] Inventor: **Nicholas D. McKay, Grand Blanc, Mich.**
[73] Assignee: **Helmac Products Corporation, Flint, Mich.**
[**] Term: **14 Years**
[21] Appl. No.: **290,725**
[22] Filed: **Aug. 6, 1981**
[52] U.S. Cl. **D4/23.1**
[58] Field of Search **D4/23.1; 15/104 A**

[56] **References Cited**
U.S. PATENT DOCUMENTS

D. 202,612	10/1965	Thomas, Jr.	D4/23.1
3,225,373	12/1965	Kisbany	15/104 A
3,363,276	1/1968	Thomas, Jr.	15/104 A
3,421,170	1/1969	Thomas, Jr.	15/104 A
3,623,179	11/1971	Roth	15/104 A
4,361,923	12/1982	McKay	15/104 A

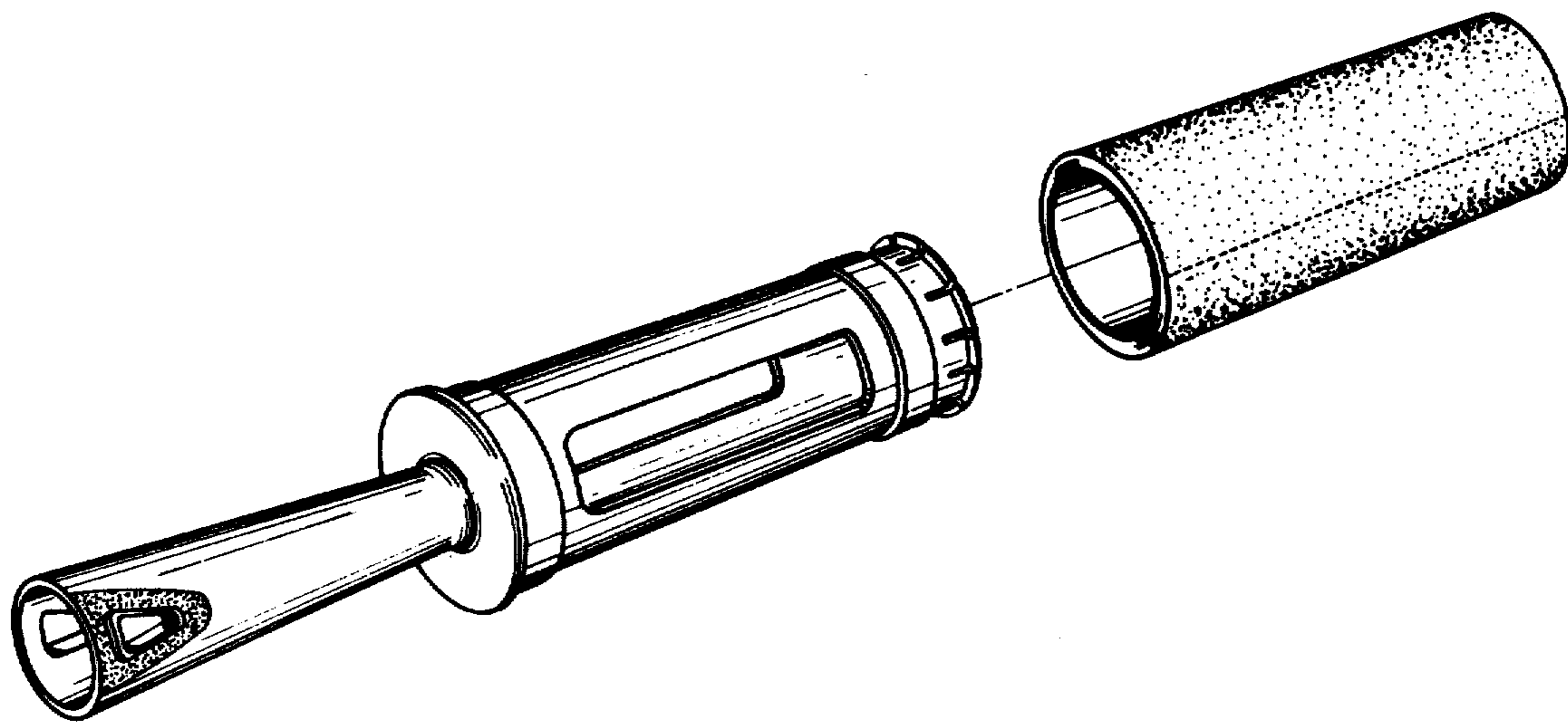
Primary Examiner—Catherine E. Kemper
Attorney, Agent, or Firm—Miller, Morriss & Pappas

[57] **CLAIM**

The ornamental design for a lint remover, as shown and described.

DESCRIPTION

FIG. 1 is an exploded perspective view of the lint remover showing my new design.
FIG. 2 is a side elevational view thereof.
FIG. 3 is a cross-sectional view thereof taken on line 3—3 of FIG. 2 with the lint remover tape roll shown in phantom-line.
FIG. 4 is a left end view of the lint remover as shown in FIG. 2.
FIG. 5 is a right end view of the lint remover as shown in FIG. 2.
FIG. 6 is a cross-sectional view thereof taken on line 6—6 of FIG. 2.
FIG. 7 is an exploded perspective view of a lint remover showing a second embodiment of my new design.
FIG. 8 is a side elevational view of the second embodiment of my new design shown in FIG. 7 with the lint remover tape roll thereon.
FIG. 9 is a cross-sectional view of the second embodiment of my new design taken on line 9—9 of FIG. 8 and showing the lint remover tape roll in phantom-line thereon.
FIG. 10 is a left end view of the second embodiment of my new design shown in FIG. 8.



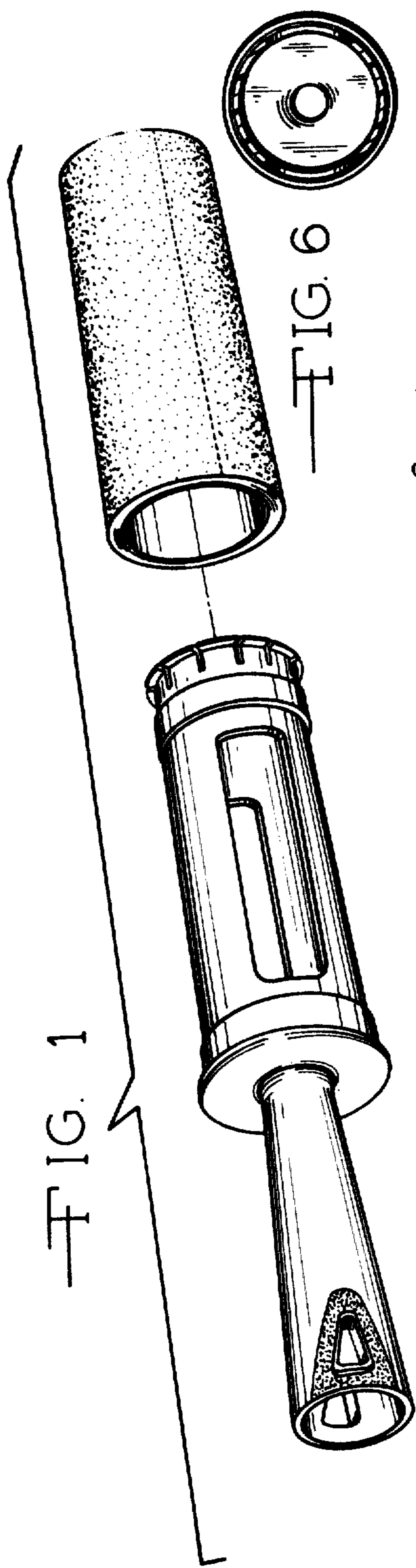


FIG. 6

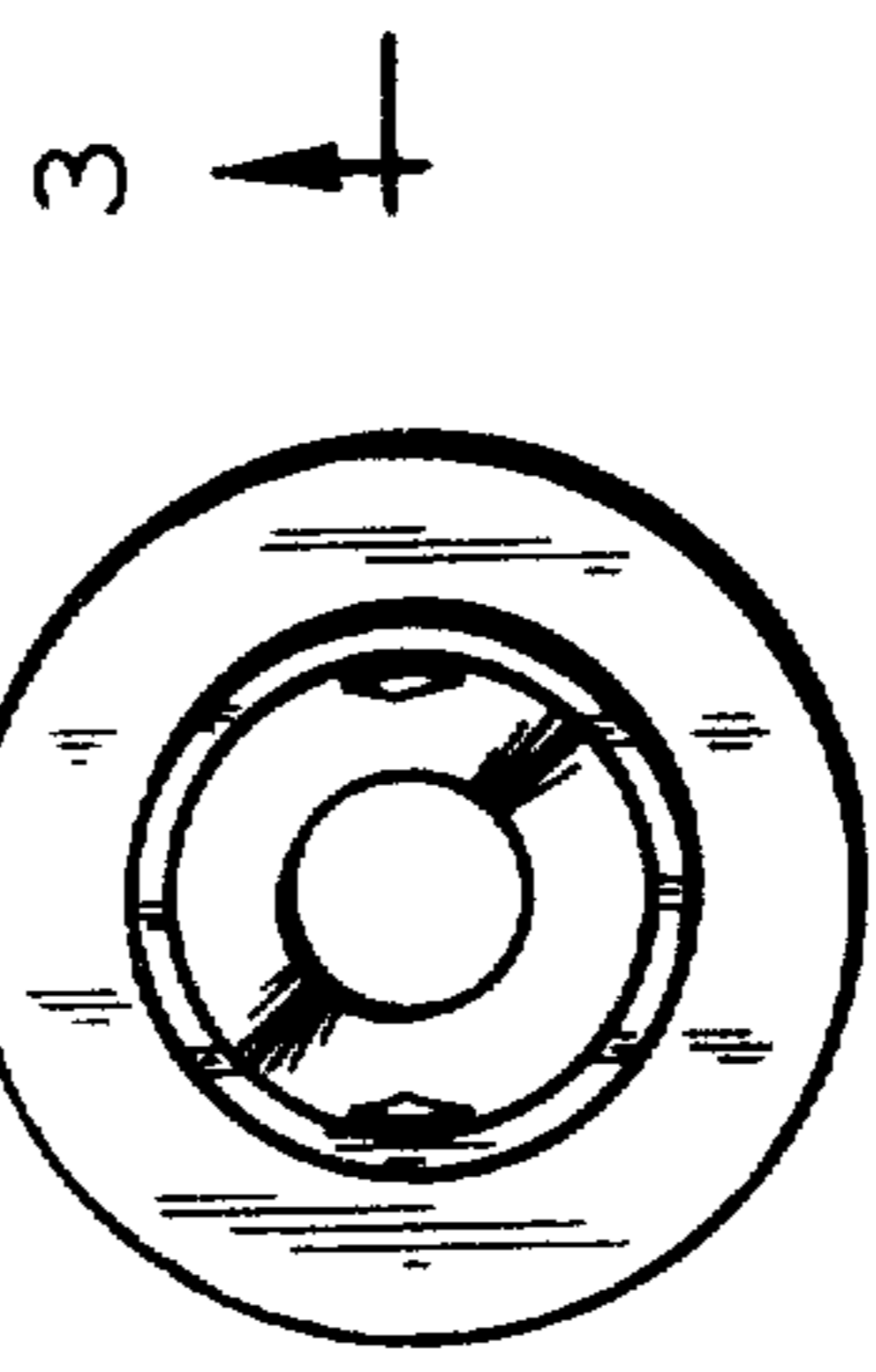
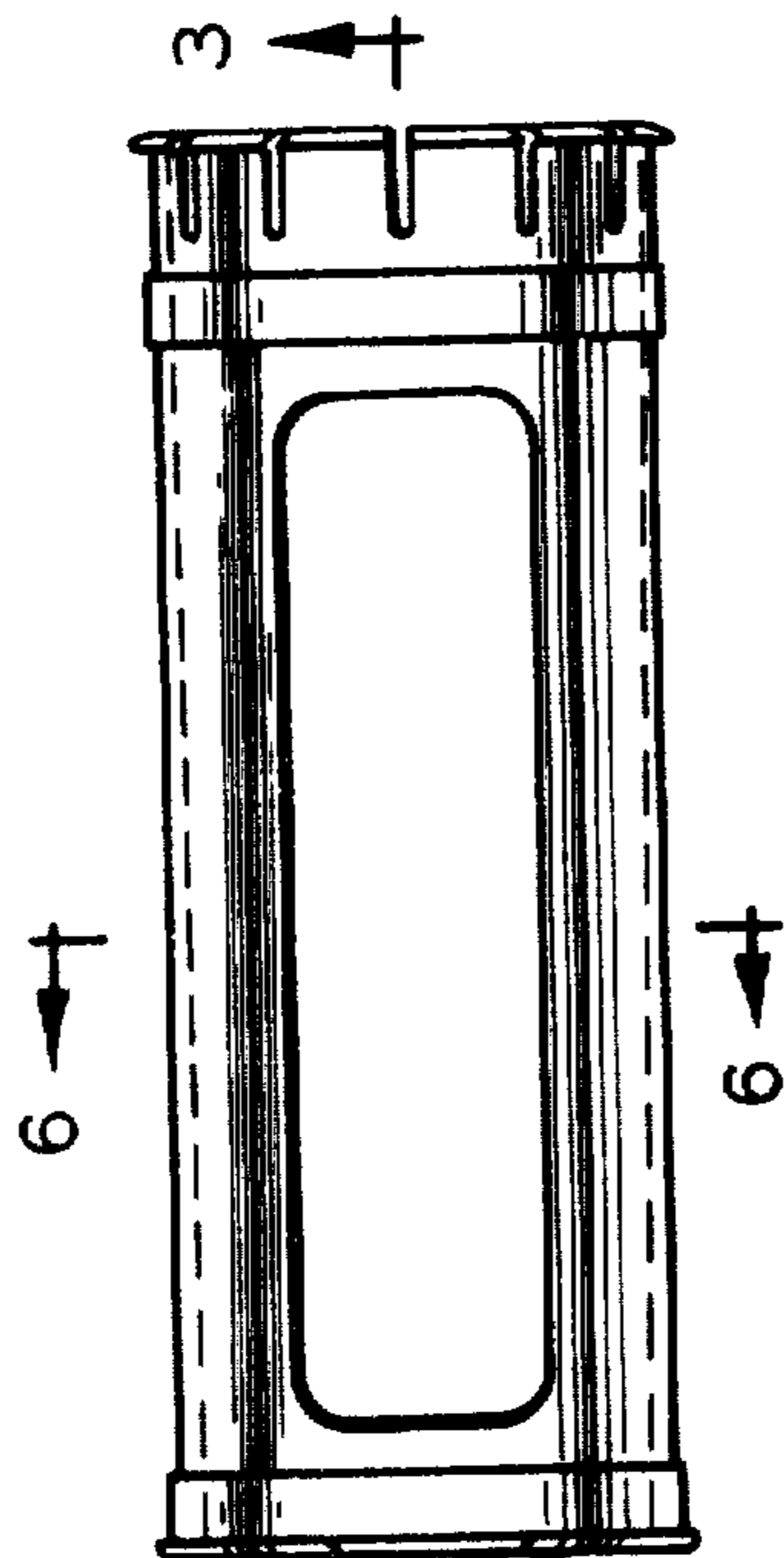


FIG. 4

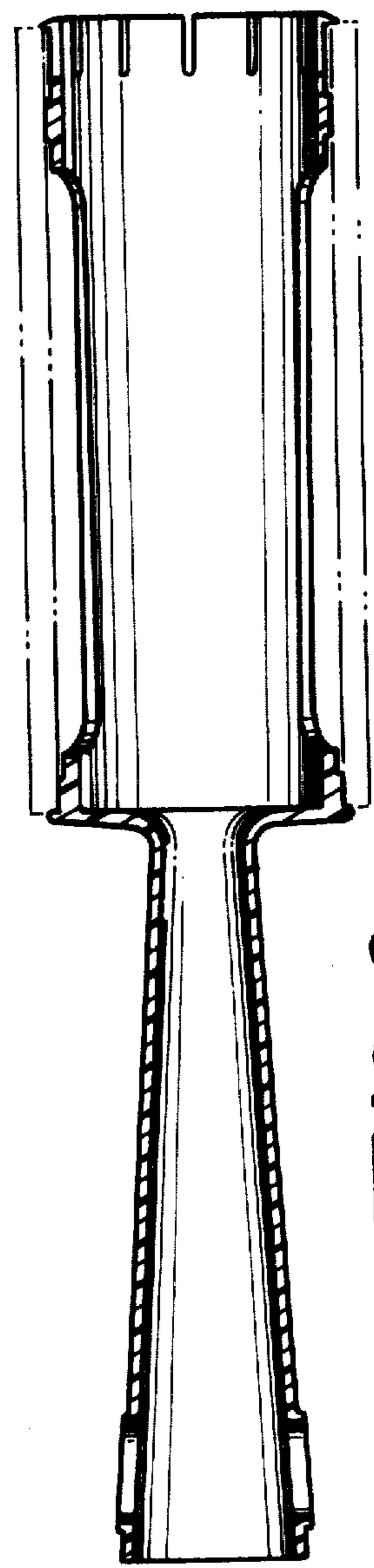


FIG. 3

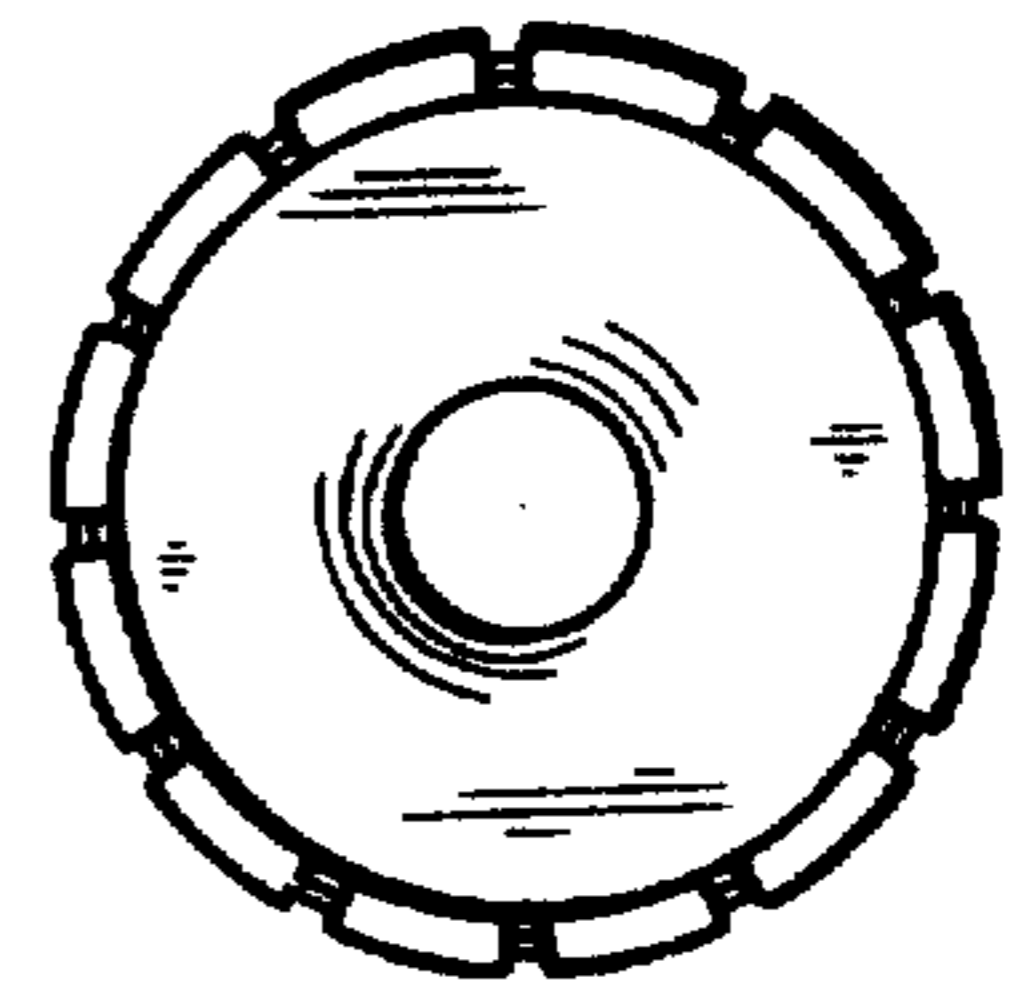


FIG. 5

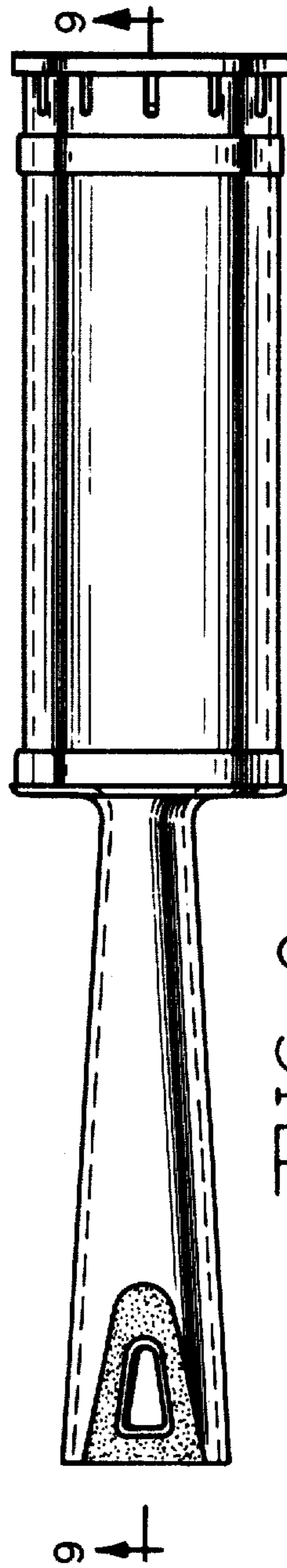
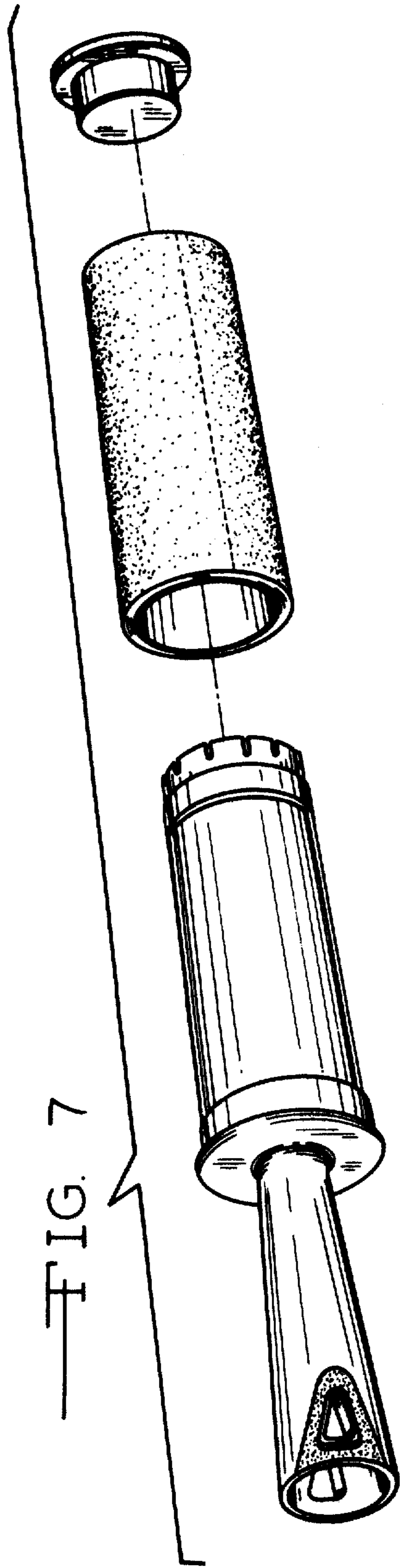


FIG. 8

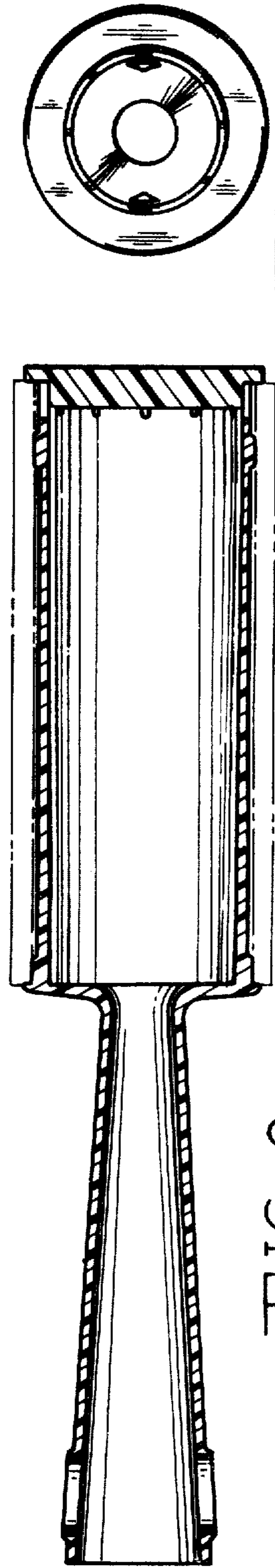


FIG. 9

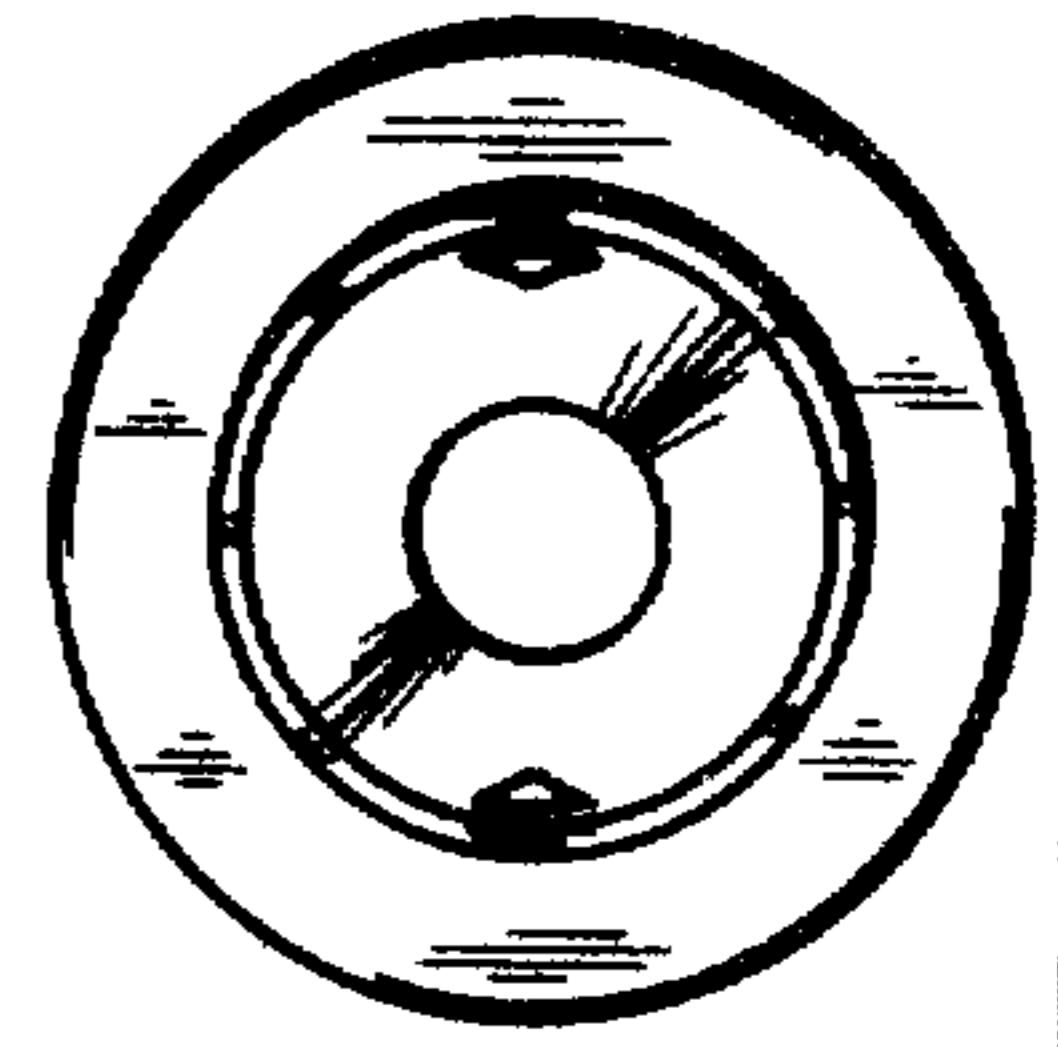


FIG. 10