

[54] SIMULATIVE UMBRELLA

[76] Inventor: Spencer Lee, 5517 Robertson Ave.,  
Sacramento, Calif. 05821

[\*\*] Term: 14 Years

[21] Appl. No.: 312,380

[22] Filed: Oct. 19, 1981

[52] U.S. Cl. .... D3/6

[58] Field of Search ..... D3/5, 67, 10; 135/20 R,  
135/20 A, 21, 25 R, 25 A

[56] References Cited

U.S. PATENT DOCUMENTS

- D. 228,975 10/1973 Schertz ..... D3/5  
D. 232,011 7/1974 Denton ..... D2/232

3,802,451 4/1974 Morris ..... D3/5

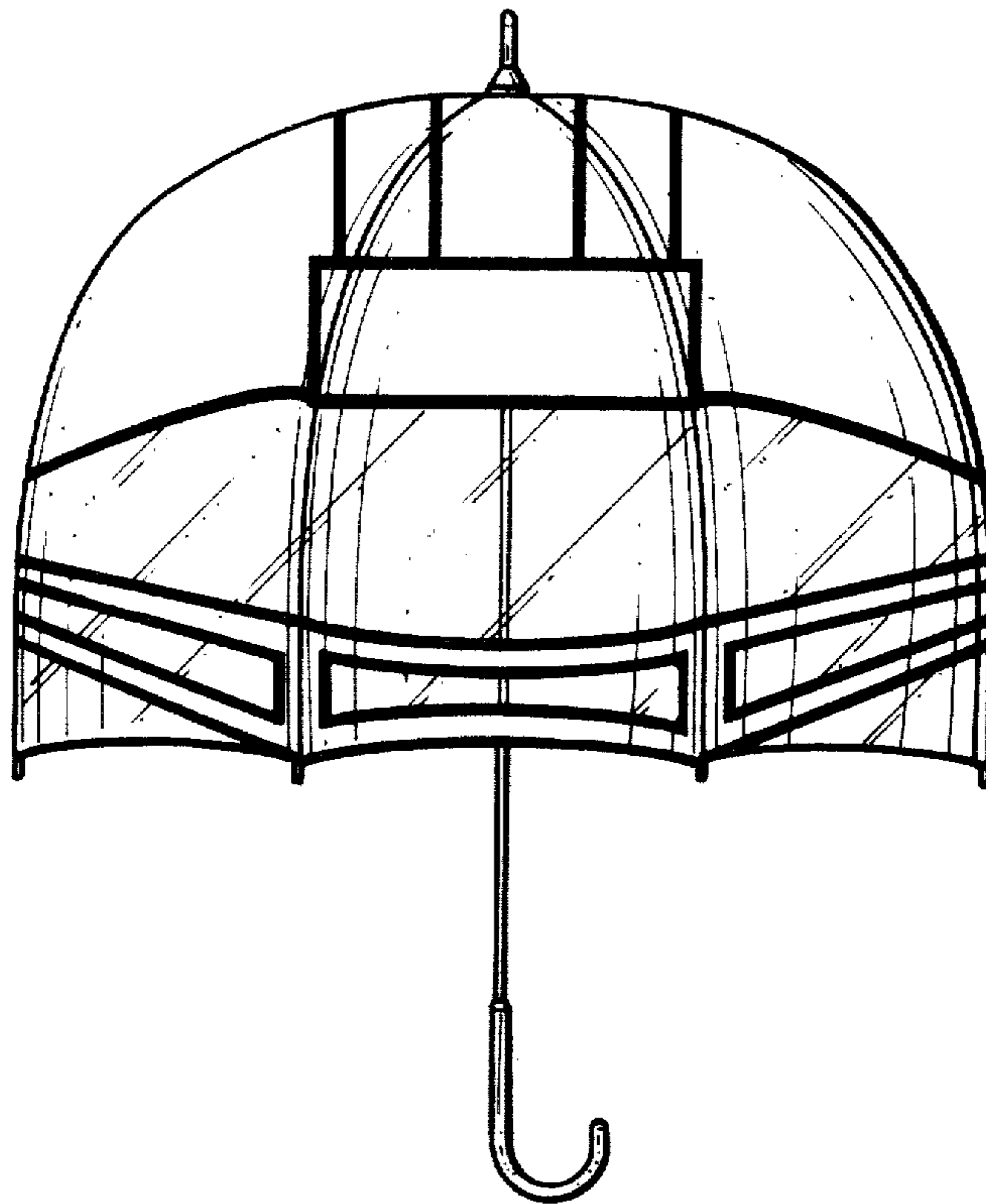
Primary Examiner—Charles A. Rademaker  
Attorney, Agent, or Firm—Mark C. Jacobs

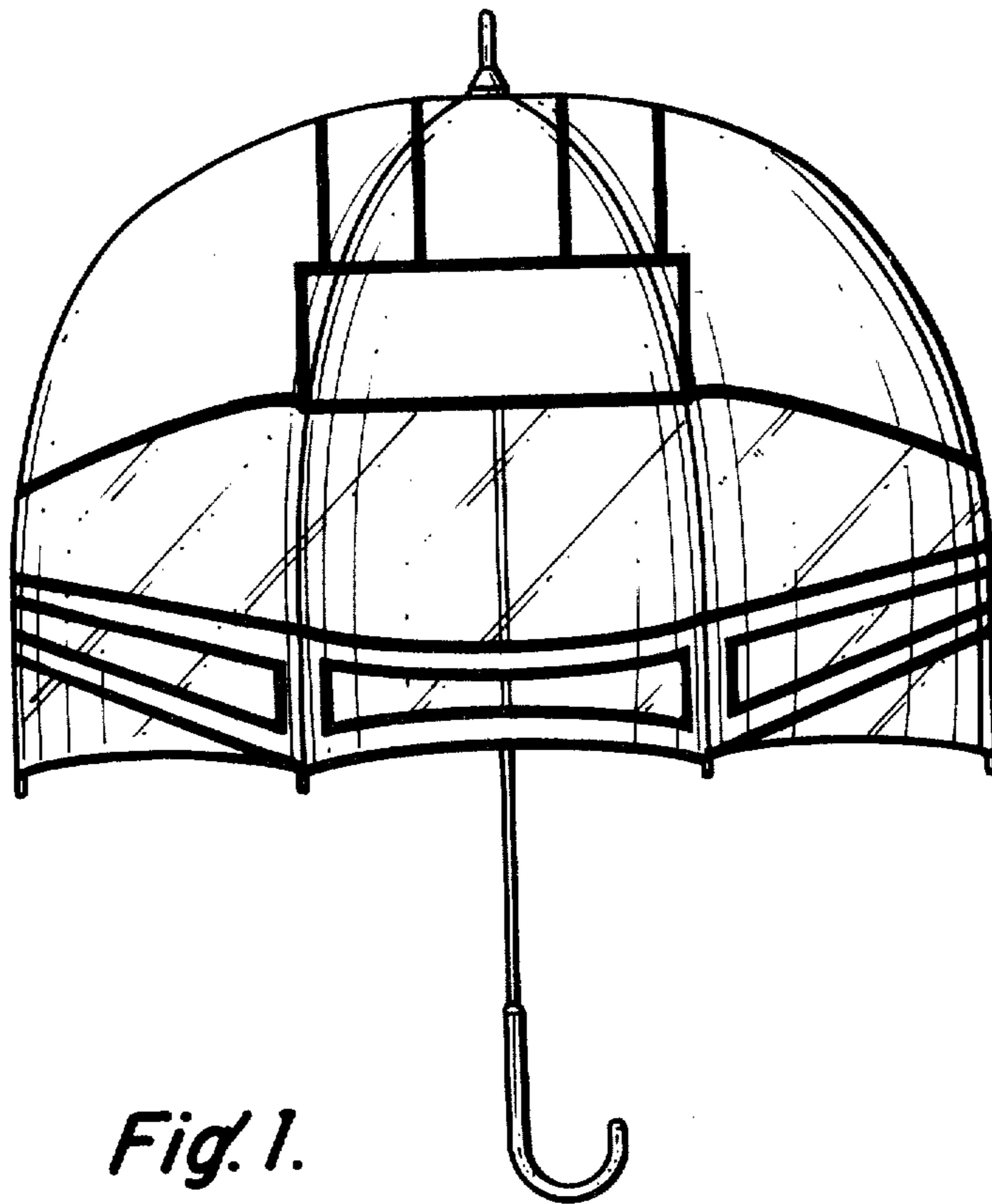
[57] CLAIM

The ornamental design for a simulative umbrella, substantially as shown and described.

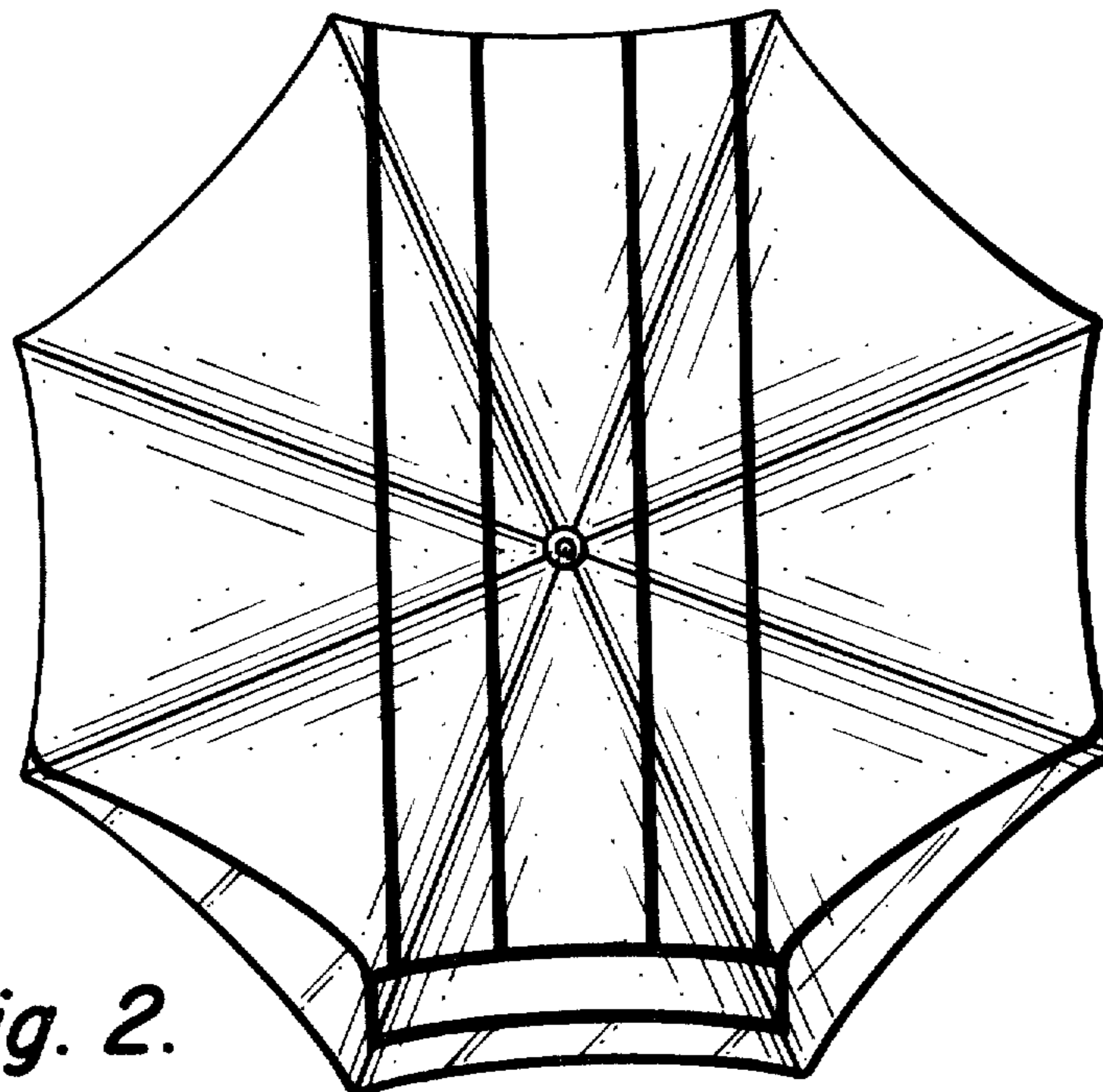
DESCRIPTION

FIG. 1 is a front elevational view of a simulative umbrella showing my new design;  
FIG. 2 is a top plan view;  
FIG. 3 is a side elevational view the side opposite being substantially a mirror image;  
FIG. 4 is a rear elevational view; and  
FIG. 5 is a bottom plan view.

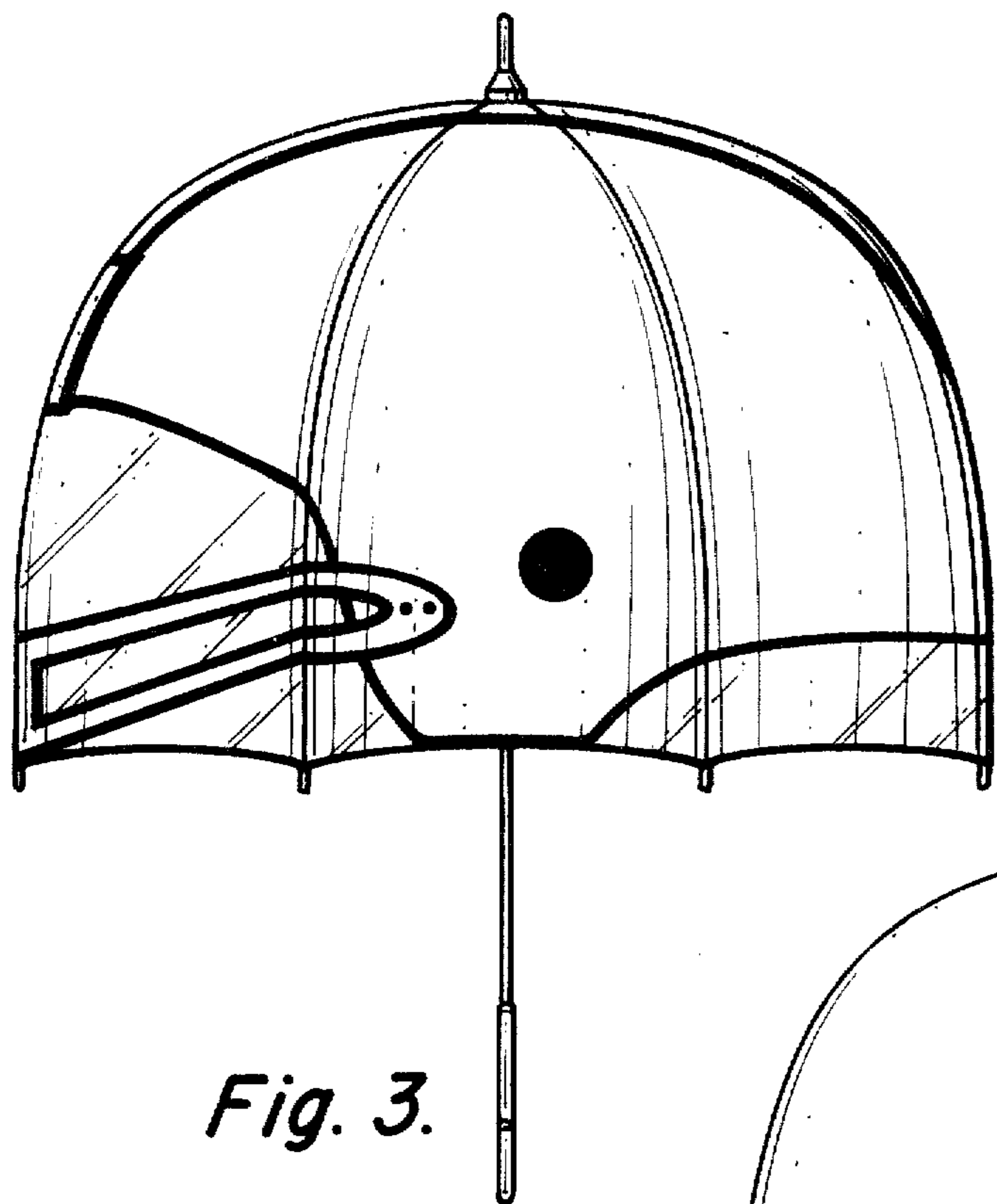




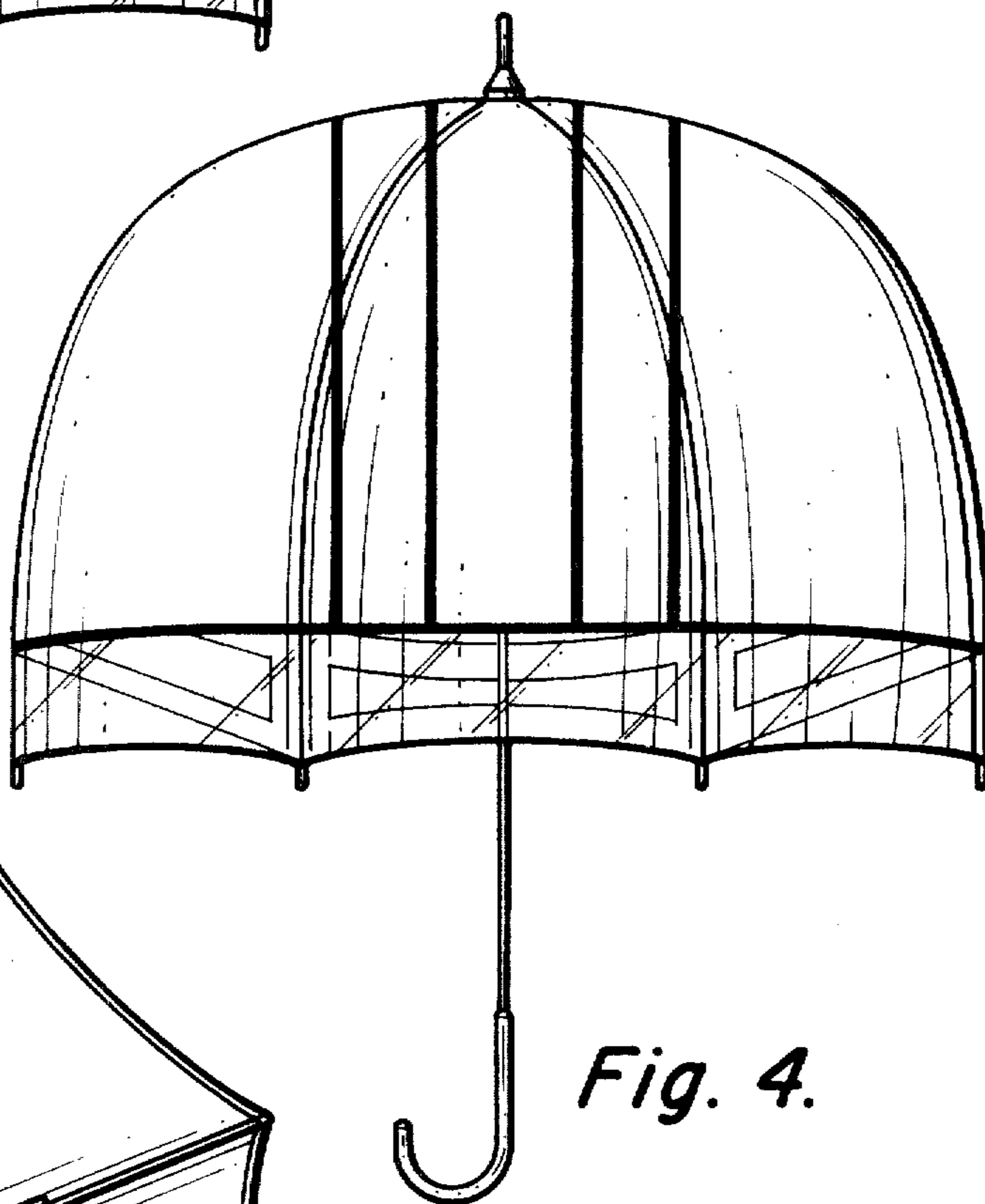
*Fig. 1.*



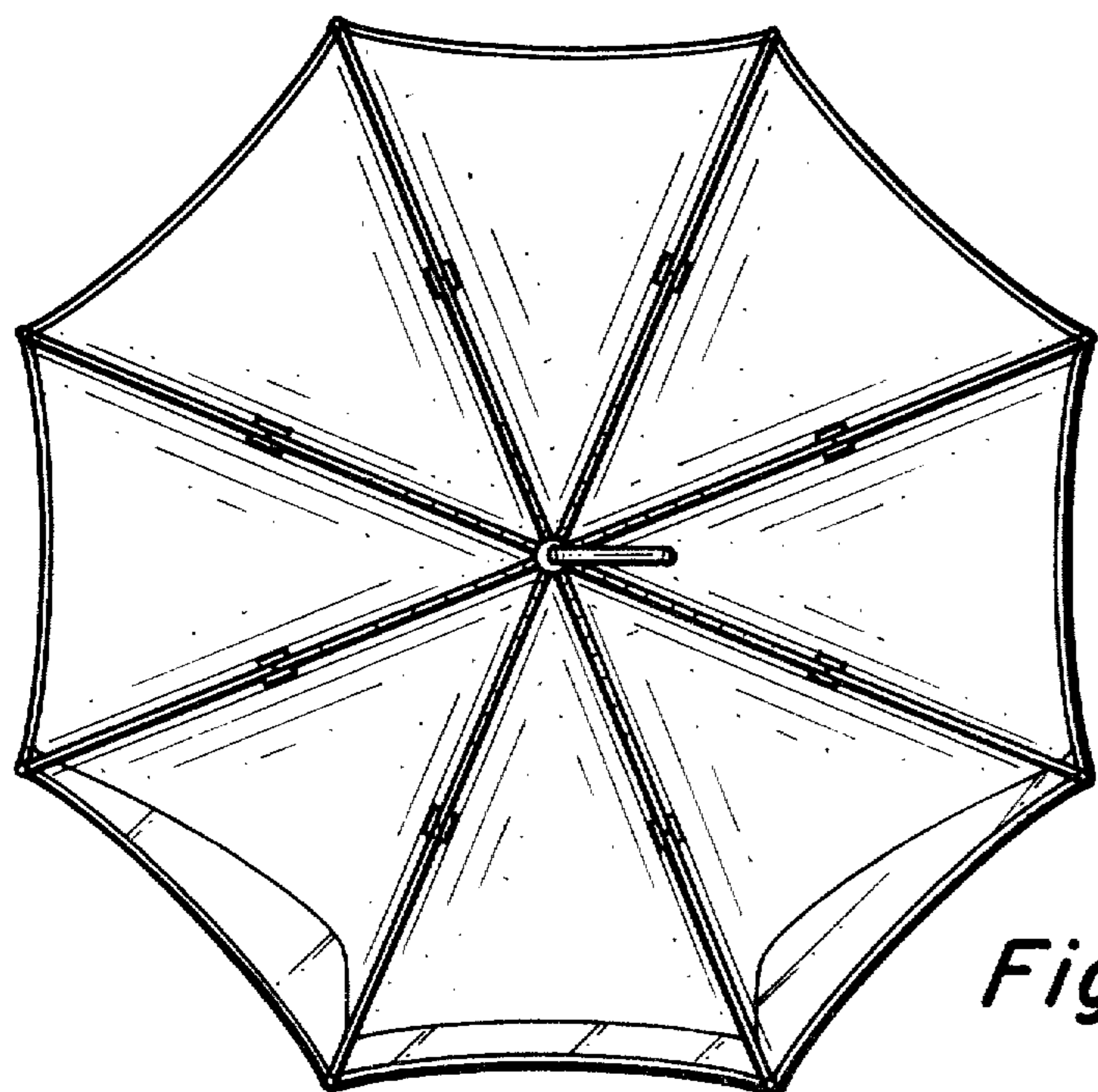
*Fig. 2.*



*Fig. 3.*



*Fig. 4.*



*Fig. 5.*