

[54] **CORNICE MOULD**

[76] **Inventor:** Robert Lloyd-Jones, Unit 2, 27 Sixth Ave., Sandgate, Brisbane, Queensland, Australia

[**] **Term:** 14 Years

[21] **Appl. No.:** 331,553

[22] **Filed:** Dec. 16, 1981

[52] **U.S. Cl.** D25/79; D25/74

[58] **Field of Search** 52/287, 288, 716, 717; D25/70, 73, 74, 79

[56] **References Cited**

U.S. PATENT DOCUMENTS

- 3,302,350 2/1967 Brown et al. 52/287
- 3,331,172 7/1967 Blanchet D25/74 X
- 3,707,061 12/1972 Collette et al. D25/74 X

Primary Examiner—A. Hugo Word
Attorney, Agent, or Firm—Vincent L. Carney

[57] **CLAIM**

The ornamental design for the cornice mould, as shown and described.

DESCRIPTION

FIG. 1 is an end view of the cornice mould embodying my design;
FIG. 2 is a perspective view from above of the cornice mould as shown in FIG. 1;
FIG. 3 is a perspective view from below of the cornice mould as shown in FIG. 1.

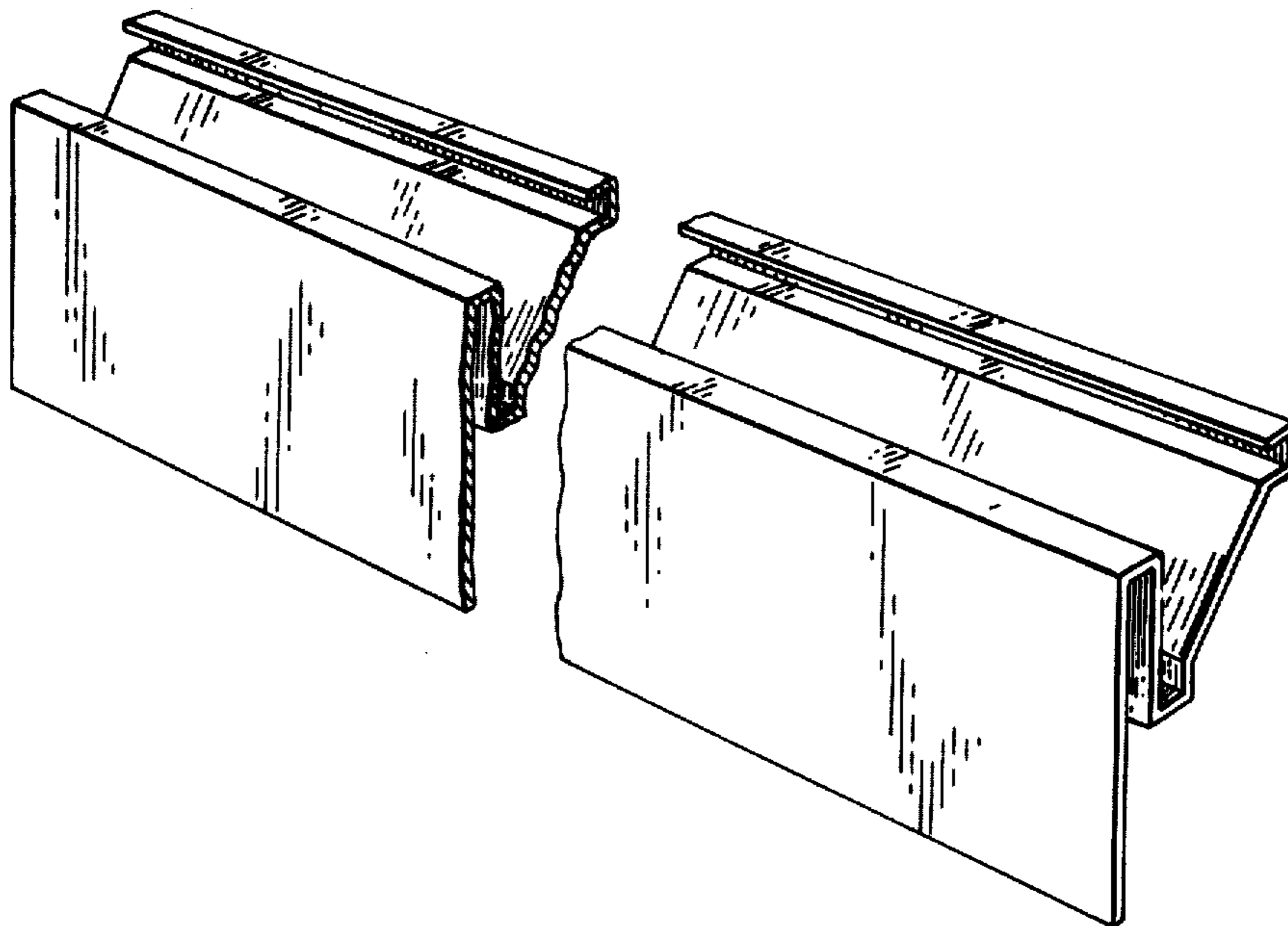


FIG. 1

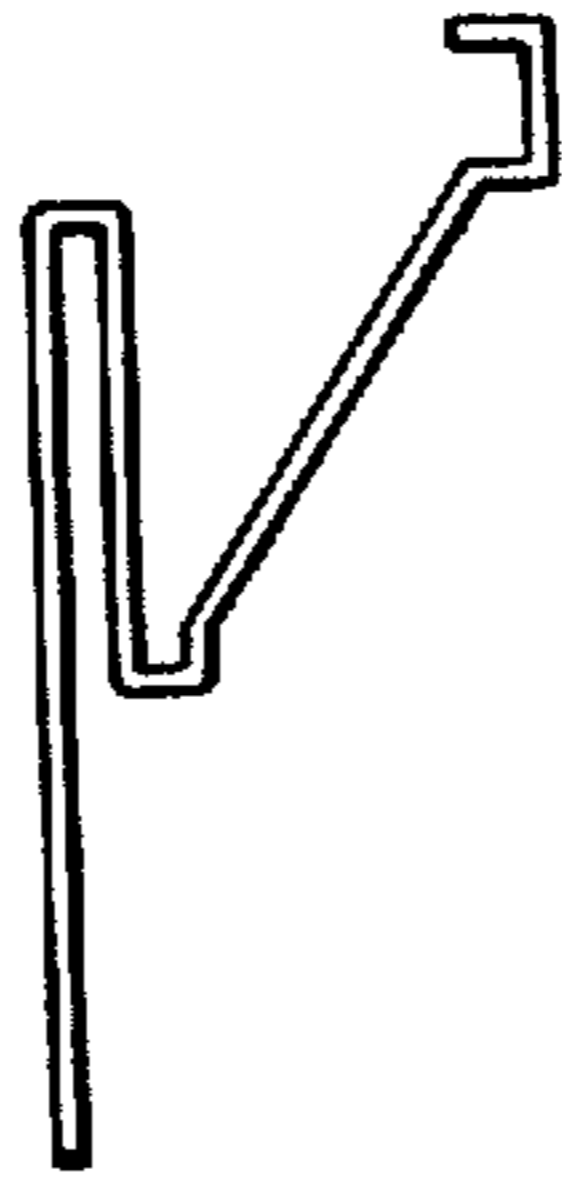


FIG. 2

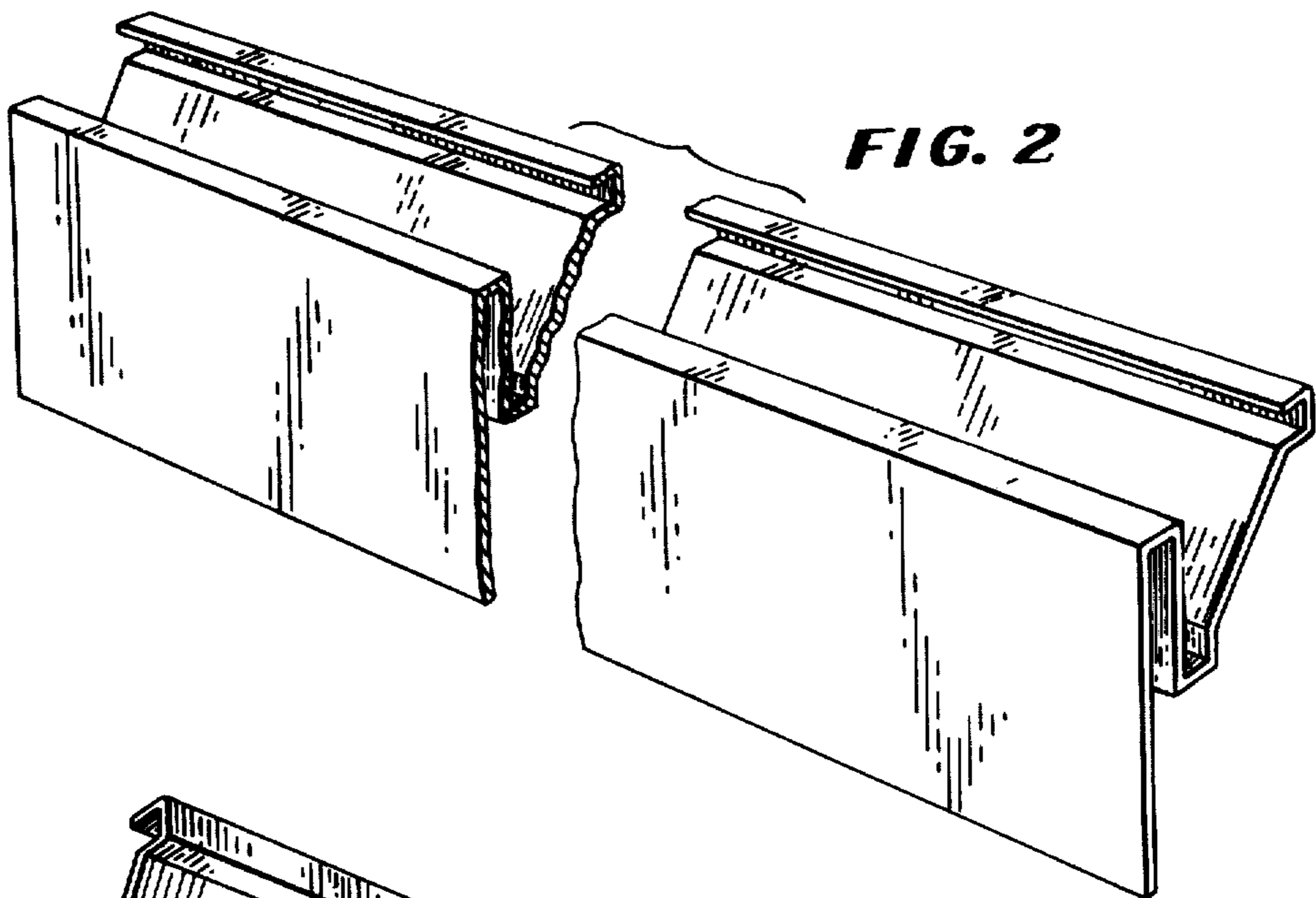


FIG. 3

