

[54] METAL MOLDING FOR A WALL PANEL OR SIMILAR ARTICLE

[75] Inventors: Michael D. Fisher, Mooreland; Thomas S. Flowers; George E. Fort, both of New Castle, all of Ind.

[73] Assignee: American Standard Inc., New York, N.Y.

[**] Term: 14 Years

[21] Appl. No.: 344,698

[22] Filed: Feb. 1, 1982

[52] U.S. Cl. D25/74

[58] Field of Search D25/74, 75, 73, 80; 52/738, 282, 283, 285, 264

[56] References Cited

U.S. PATENT DOCUMENTS

- D. 255,940 7/1980 Kwan et al. D25/74
- 3,751,868 8/1973 Mascioletti D25/74 X

Primary Examiner—A. Hugo Word

Attorney, Agent, or Firm—James J. Salerno, Jr.; Robert G. Crooks; John P. Sinnott

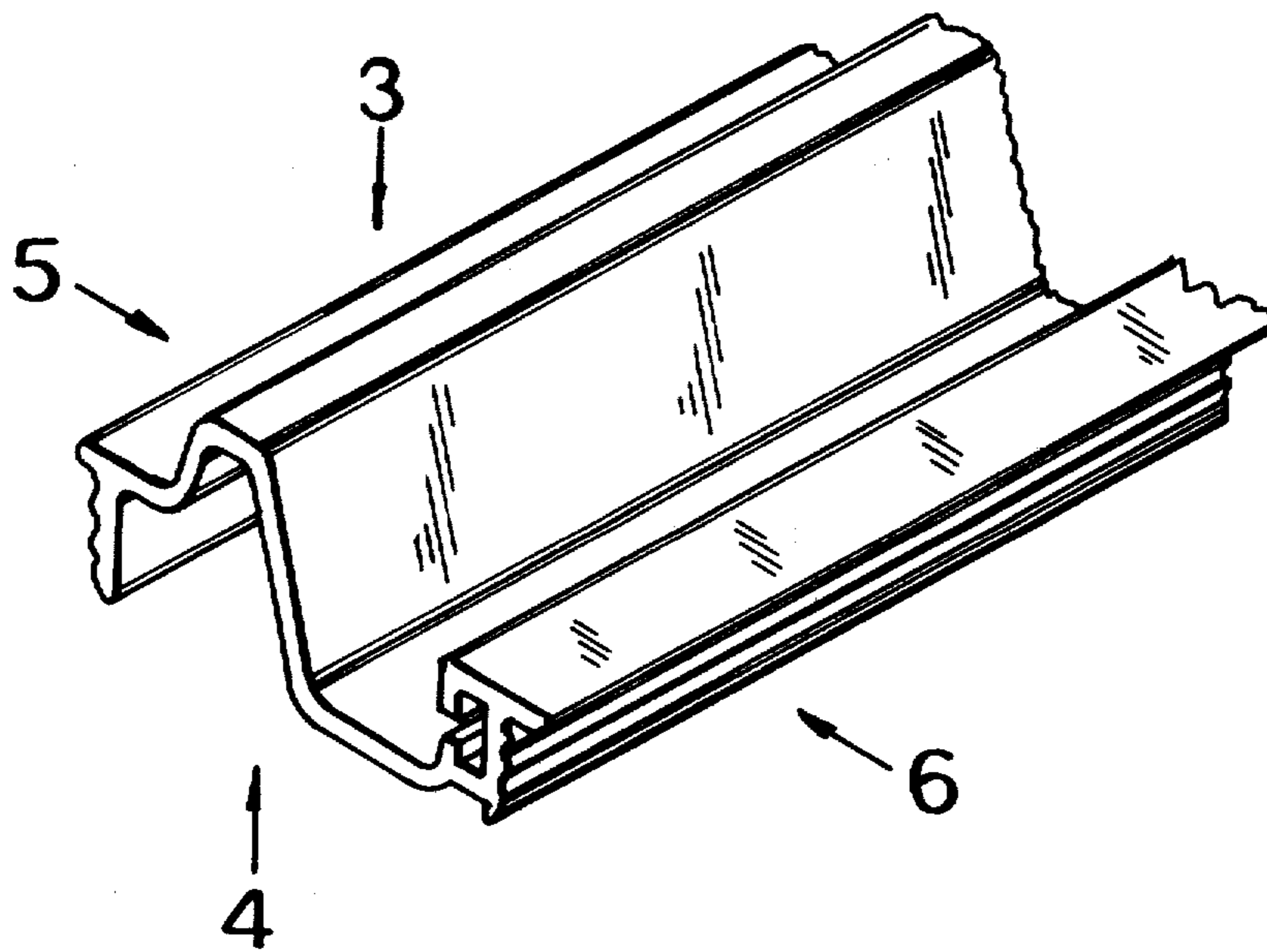
[57] CLAIM

The ornamental design for a metal molding for a wall panel of similar article, substantially as shown and described.

DESCRIPTION

FIG. 1 is a three dimensional view of a metal molding for a wall panel or similar article embodying our new design as seen from the front, top and one side thereof; FIG. 2 is a view similar to FIG. 1 but as seen from the front, bottom and other side thereof; FIG. 3 is a top plane view thereof; FIG. 4 is a bottom plane view thereof; FIG. 5 is a side elevational view taken along line 5—5 of FIG. 1; FIG. 6 is a side elevational view taken along line 6—6 of FIG. 1; and FIG. 7 is an end elevational view thereof.

The metal molding for a wall panel or similar article has been shown broken away on one end thereof in FIGS. 1 through 6 to indicate indeterminate length.



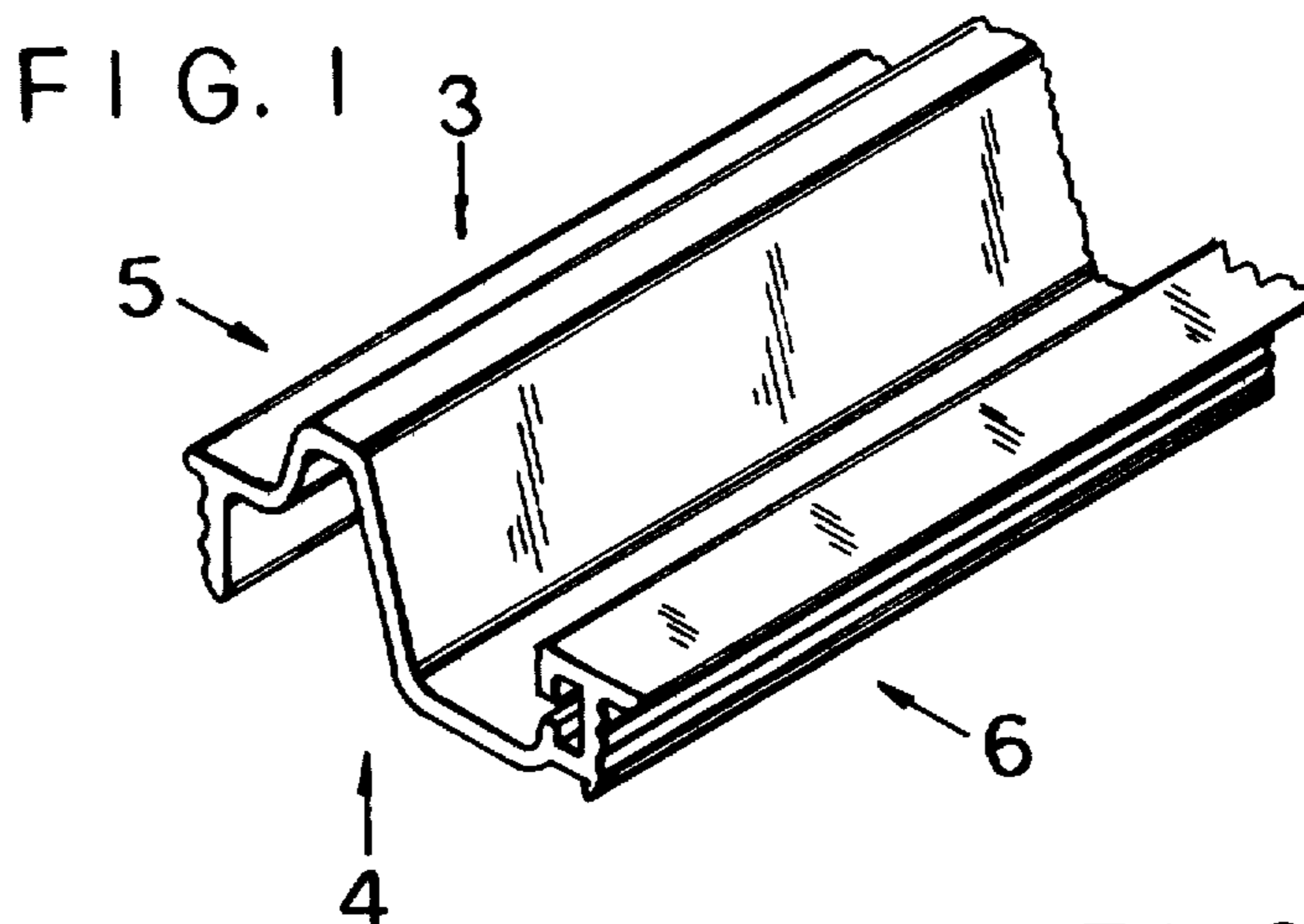
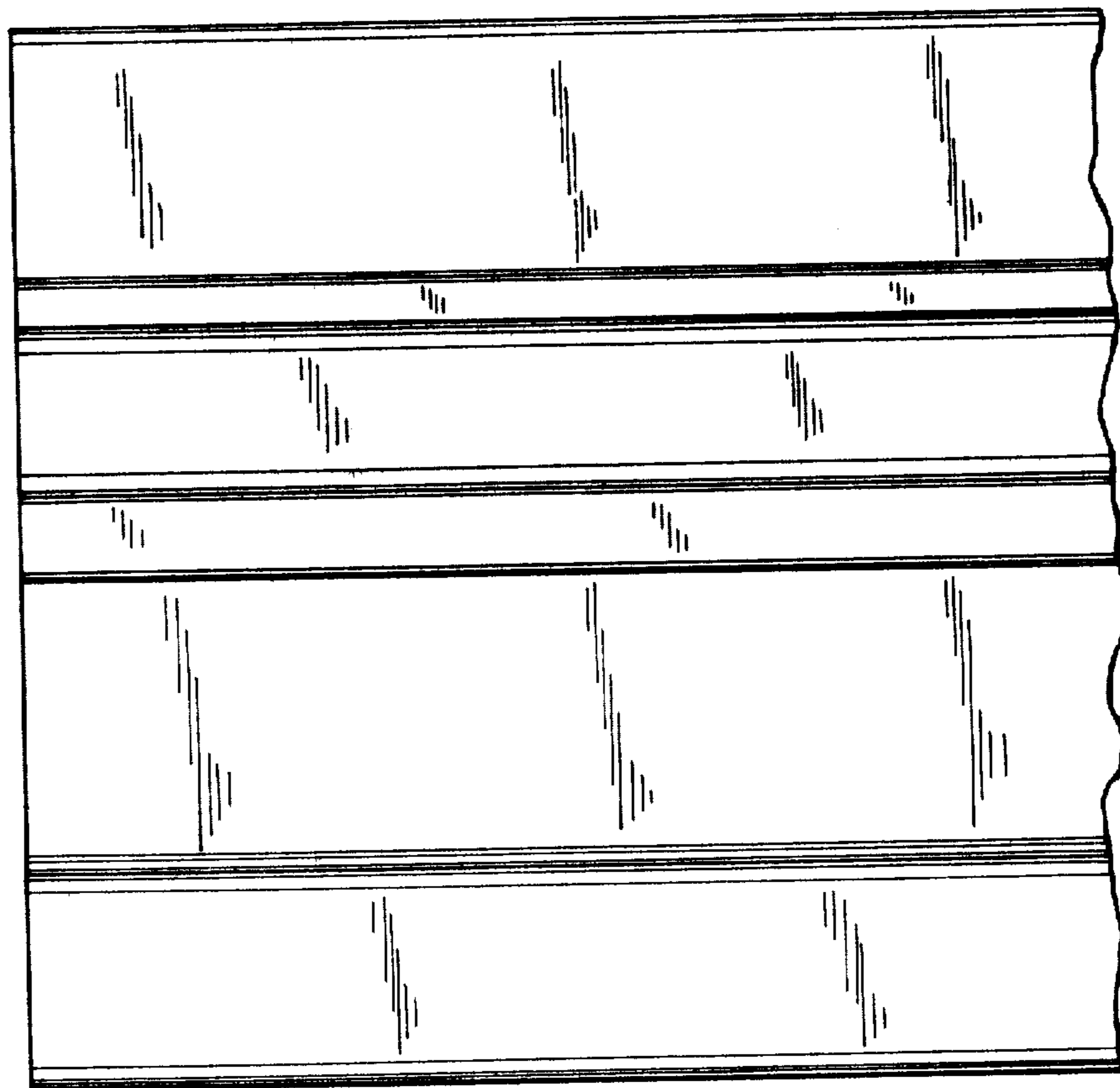


FIG. 3



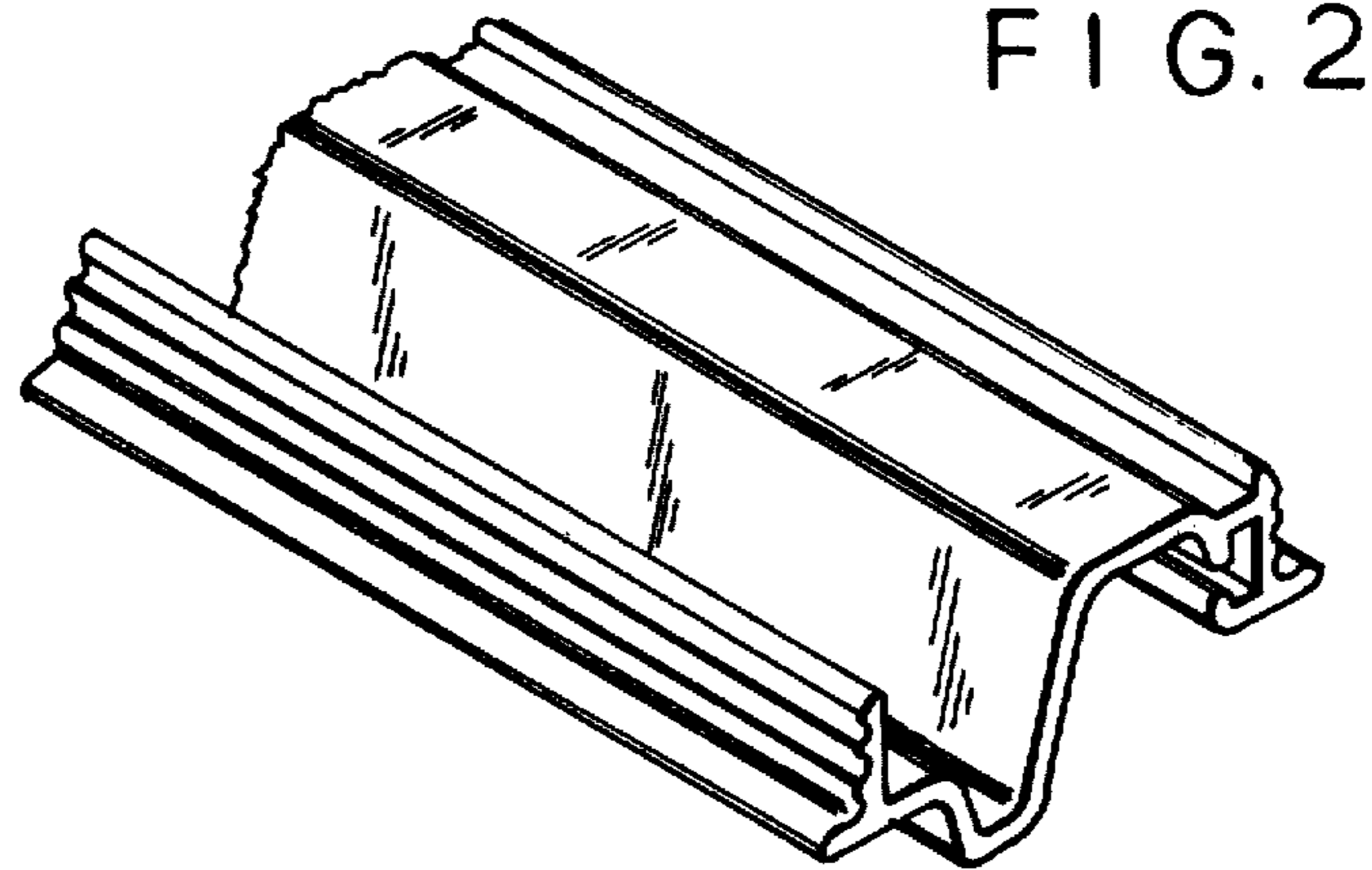


FIG. 4

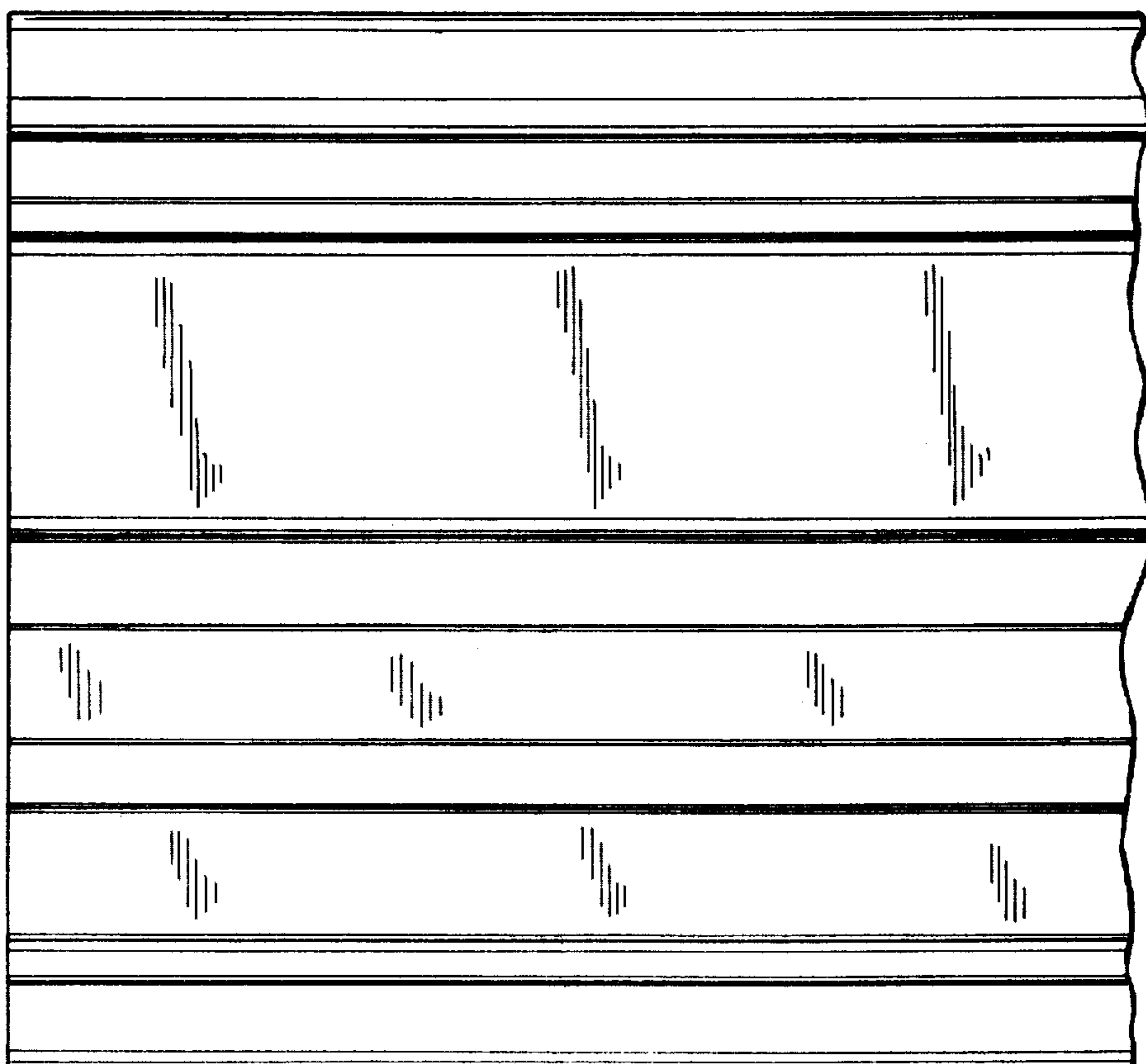


FIG. 5

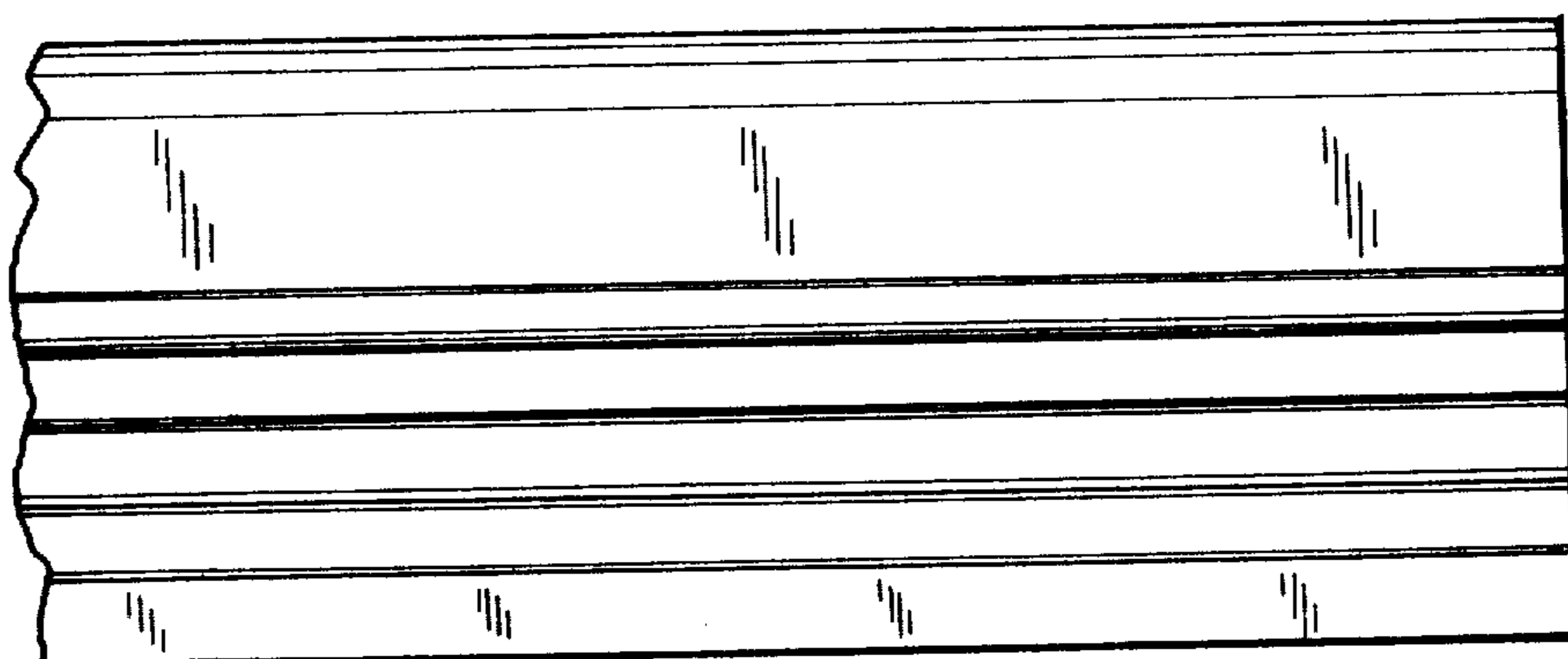


FIG. 6

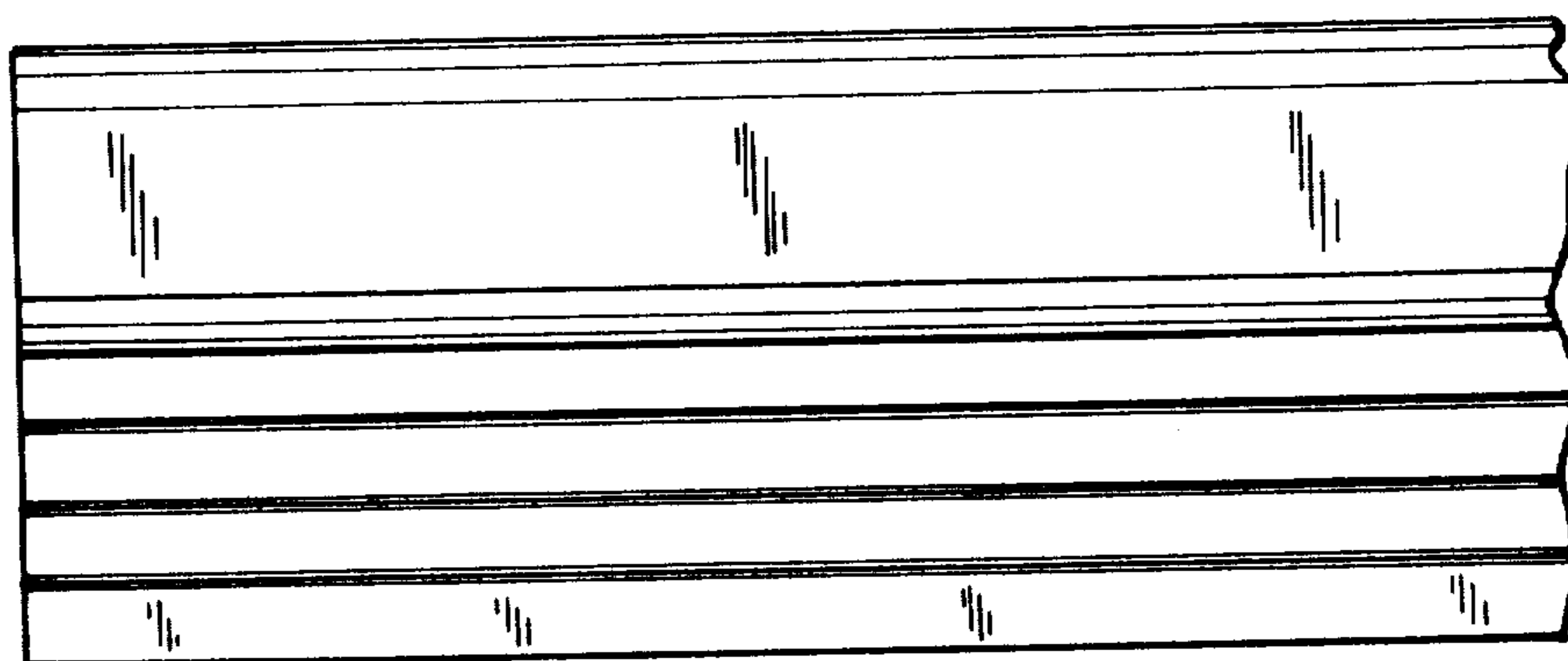


FIG. 7

