

[54] EXERCISE TREADMILL

[75] Inventor: Fred W. Kullenberg, Ralston, Nebr.

[73] Assignee: Instruments for Cardiac Research, Inc., Liverpool, N.Y.

[**] Term: 14 Years

[21] Appl. No.: 302,488

[22] Filed: Sep. 16, 1981

[52] U.S. Cl. D21/192

[58] Field of Search D21/191, 192; 272/65, 272/69

[56] References Cited

U.S. PATENT DOCUMENTS

D. 219,744	1/1971	Hesen	D21/192
D. 231,678	5/1974	Trotter	272/69
3,703,284	11/1972	Hesen	272/69

OTHER PUBLICATIONS

Popular Science, 5/1981, p. 118, MGI "Treadmill".

Primary Examiner—Charles A. Rademaker
Attorney, Agent, or Firm—Lawrence S. Levinson;
Sanford J. Asman

[57] CLAIM

The ornamental design for an exercise treadmill, as shown and described.

DESCRIPTION

FIG. 1 is a perspective view of an exercise treadmill showing my new design;

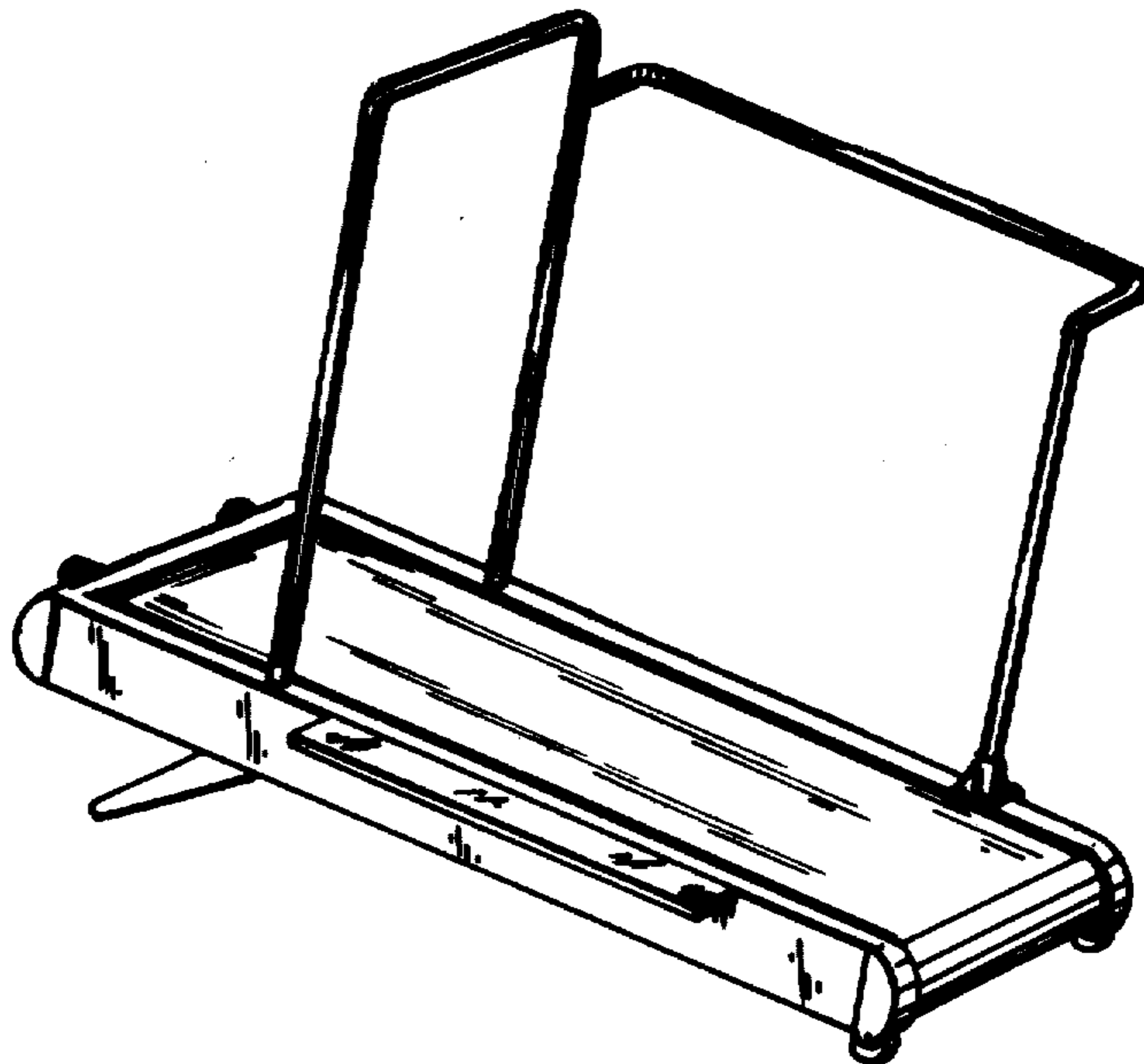
FIG. 2 is a top plan view thereof shown on a larger scale;

FIG. 3 is a front elevational view thereof;

FIG. 4 is a left side elevational view thereof;

FIG. 5 is a rear elevational view thereof; and

FIG. 6 is a right side elevational view thereof.



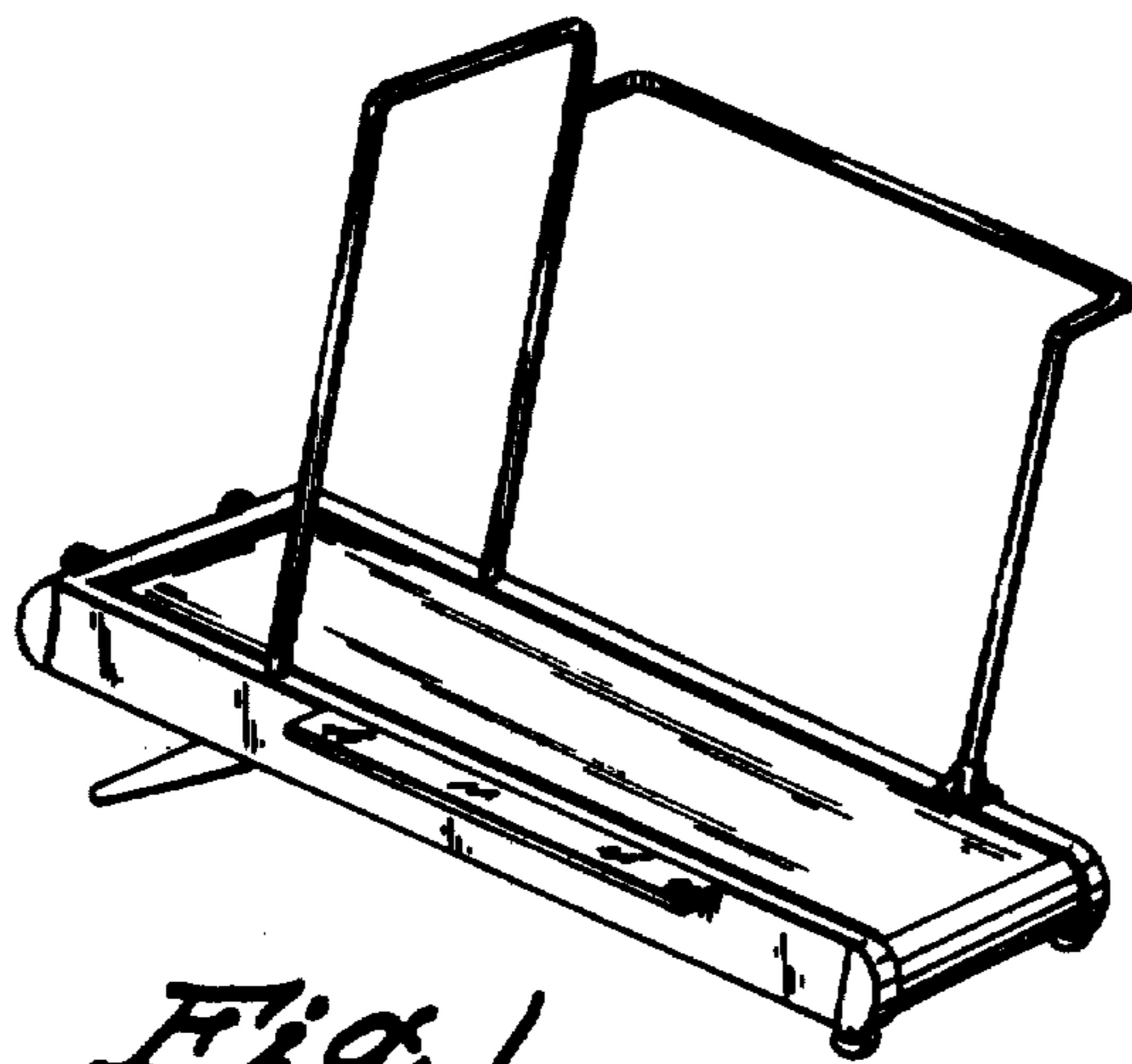


Fig. 1

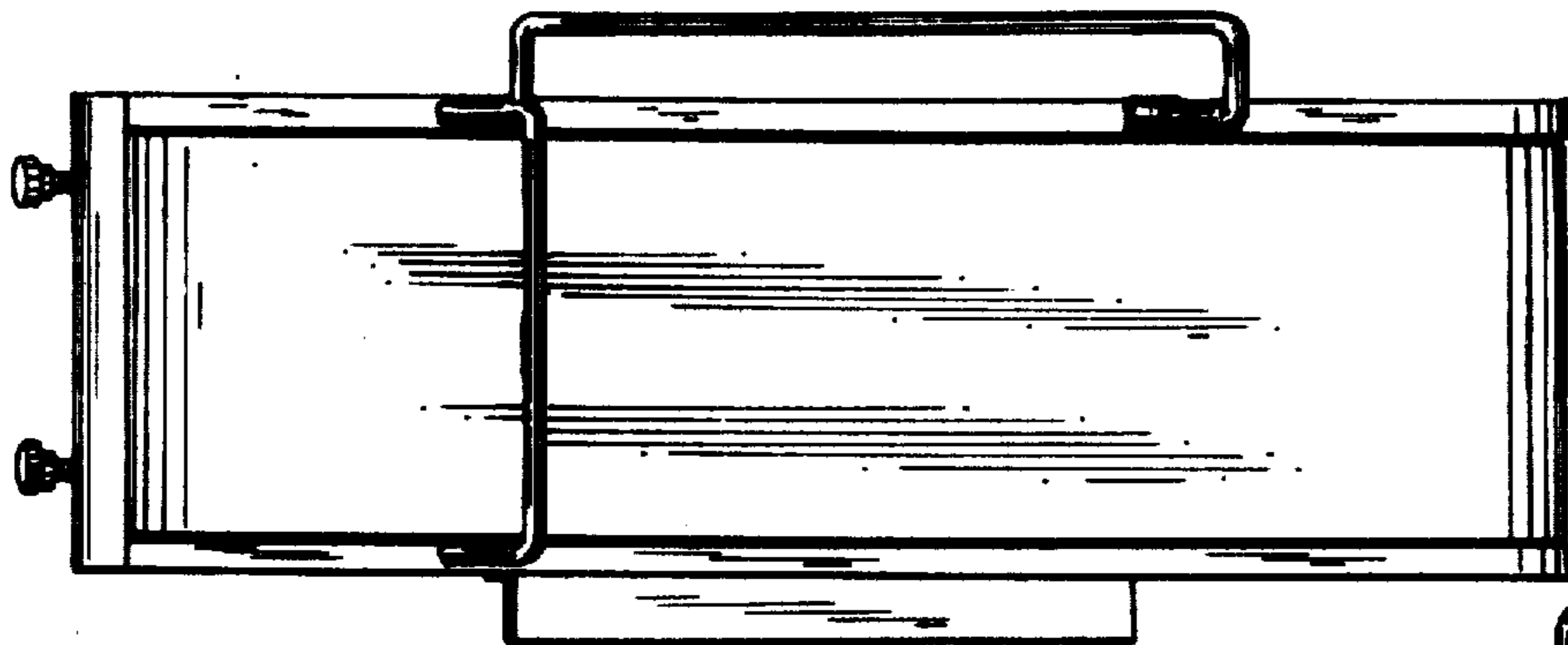
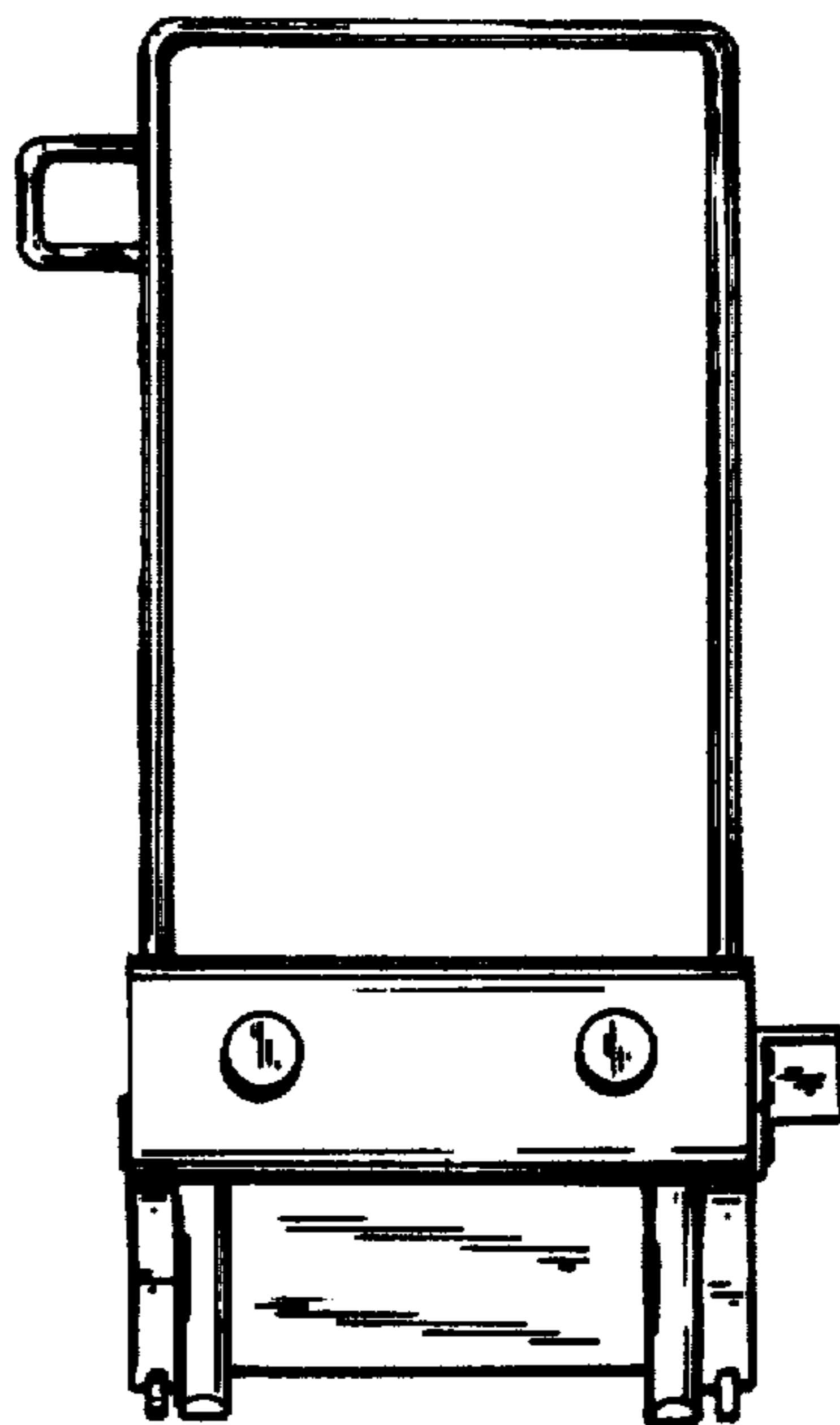


Fig. 2

Fig. 3

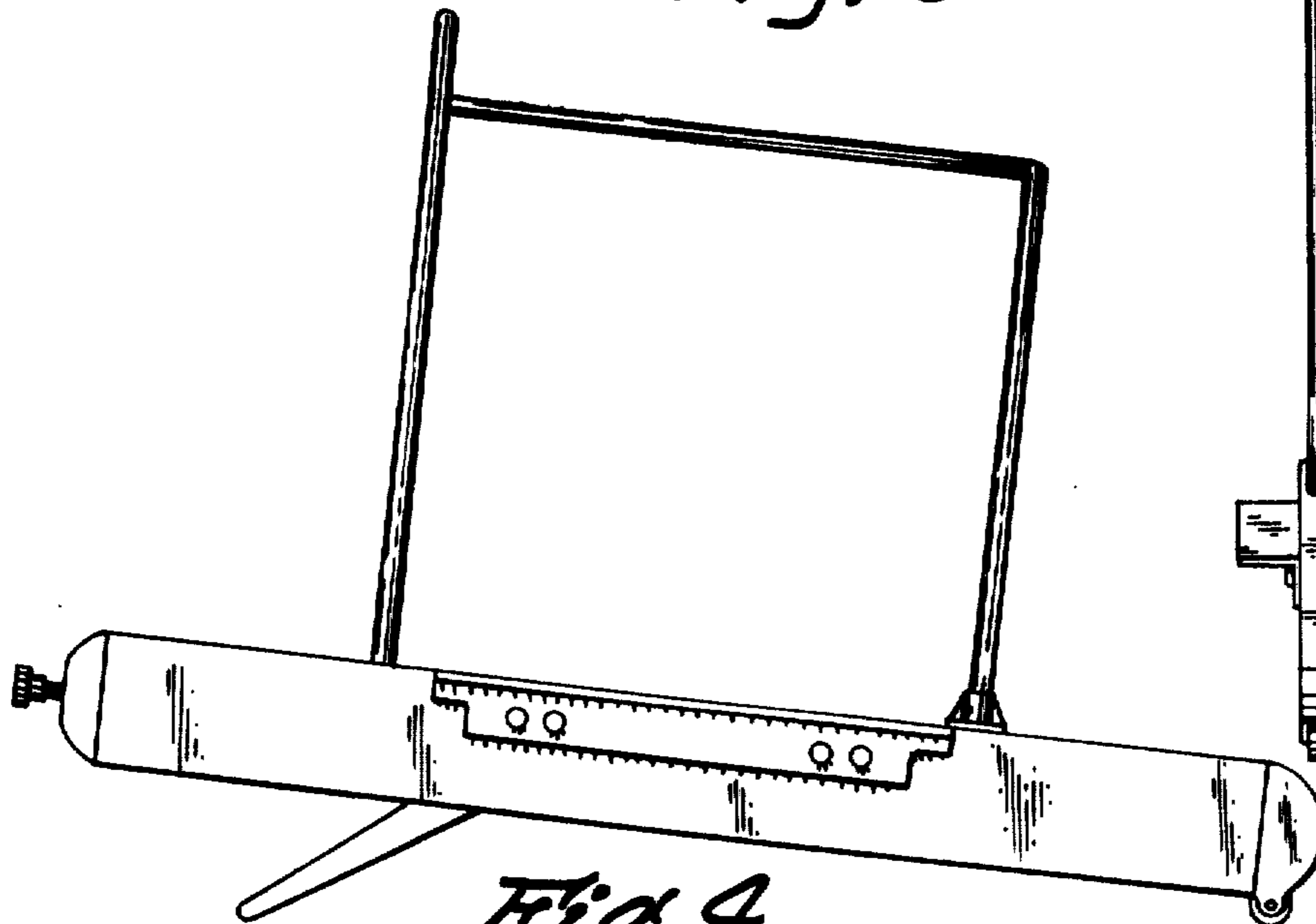


Fig. 4

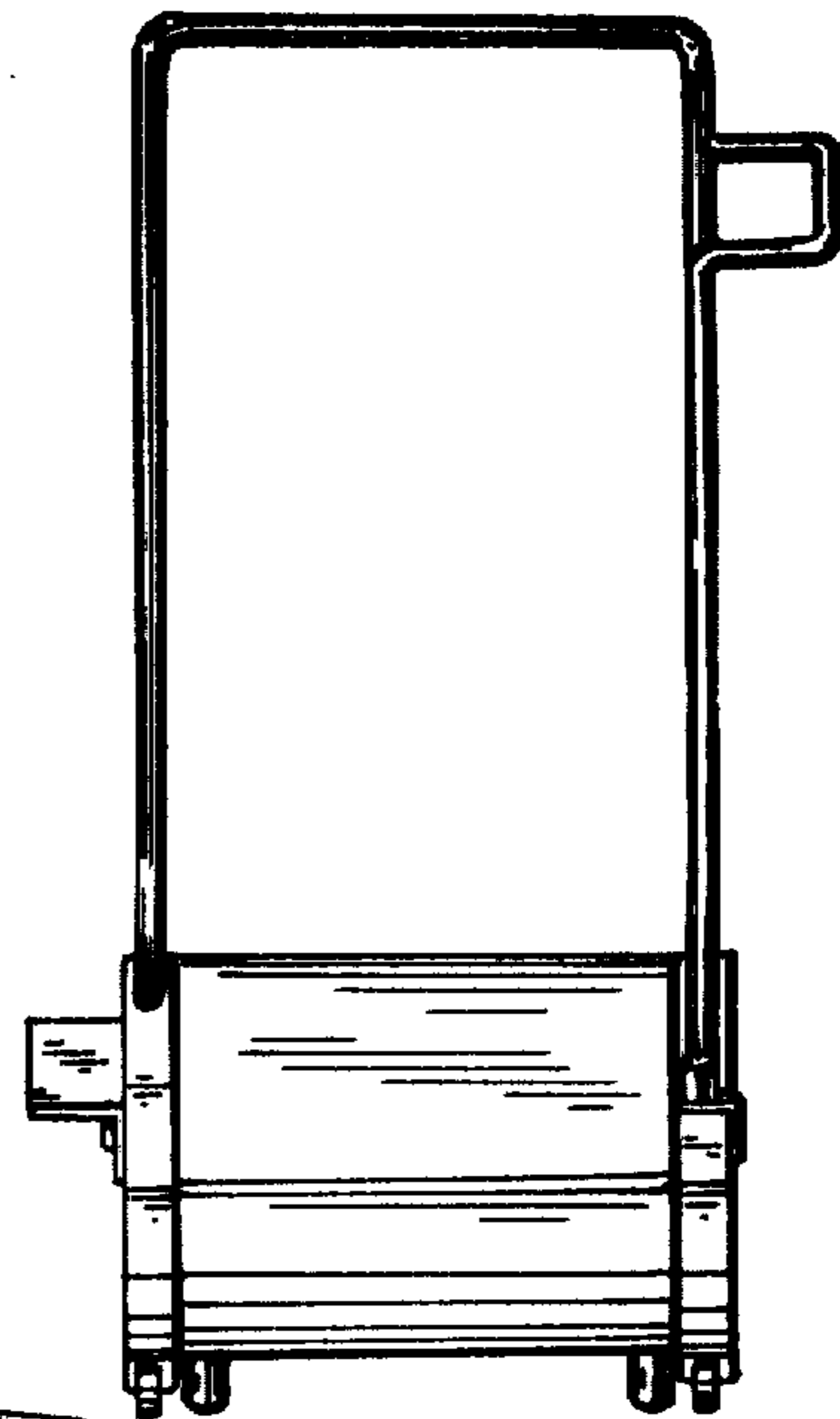


Fig. 5

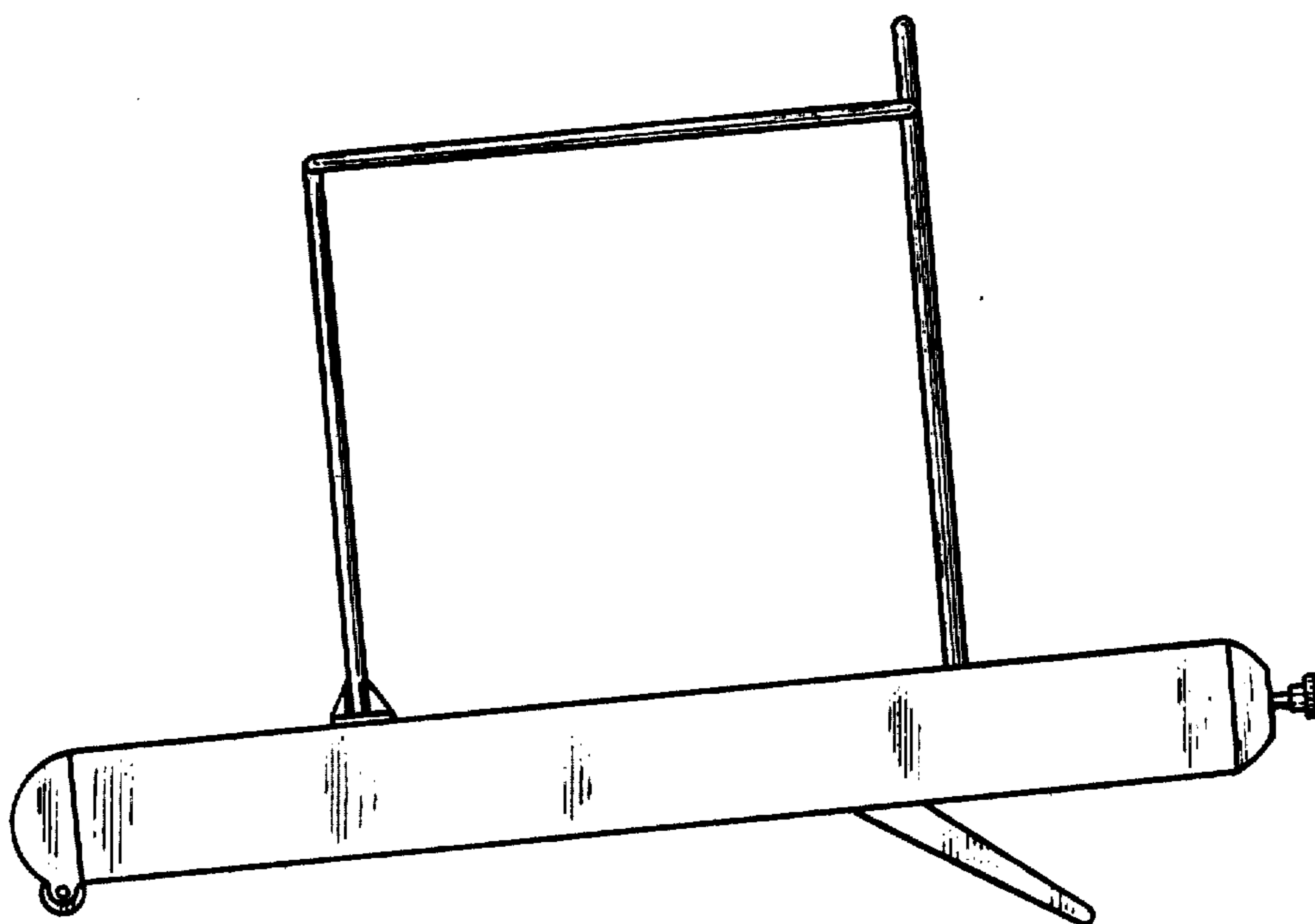


Fig. 6