

[54] NEWSPAPER VENDING MACHINE INSERT

[75] Inventor: Jack S. Chalabian, Huntington Beach, Calif.

[73] Assignee: K-Jack Engineering Company, Inc., Gardena, Calif.

[**] Term: 14 Years

[21] Appl. No.: 363,047

[22] Filed: Mar. 29, 1982

[52] U.S. Cl. D20/8; D20/6

[58] Field of Search D20/1, 2, 6, 8, 9; 194/1 G, 1 K, 10, 51, 59, 65; 221/1, 8, 39, 54, 110, 154-155, 213-216, 232, 241, 279

[56] References Cited

U.S. PATENT DOCUMENTS

- 3,042,250 7/1962 Watlington 221/213 X
- 3,104,781 9/1963 Clift 221/232 X

- 3,180,518 4/1965 Roser 221/155 X
- 3,225,961 12/1965 Parks 221/214 X
- 3,253,690 5/1966 Brewton 194/59 X
- 3,709,405 1/1973 Harris 221/232 X
- 3,884,337 5/1975 Voegeli 194/59
- 4,067,477 1/1978 Chalabian 221/155 X

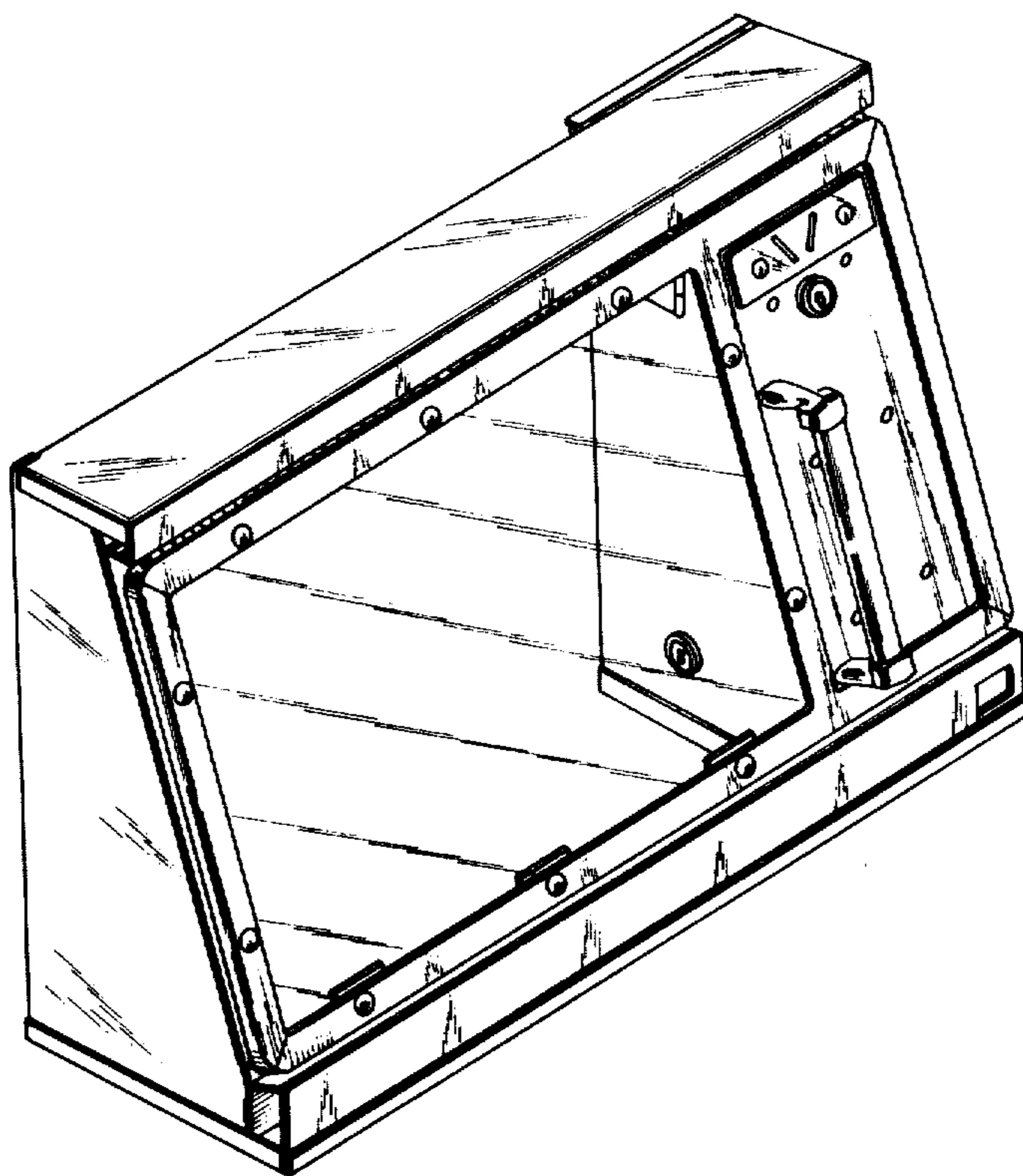
Primary Examiner—Nelson C. Holtje
Attorney, Agent, or Firm—Beehler, Pavitt, Siegemund, Jagger & Martella

[57] CLAIM

The ornamental design for a newspaper vending machine insert, substantially as shown.

DESCRIPTION

FIG. 1 is a front and top-left perspective view of a newspaper vending machine showing my new design; FIG. 2 is a right side elevational view thereof; FIG. 3 is a front elevational view thereof; FIG. 4 is a bottom plan view thereof.



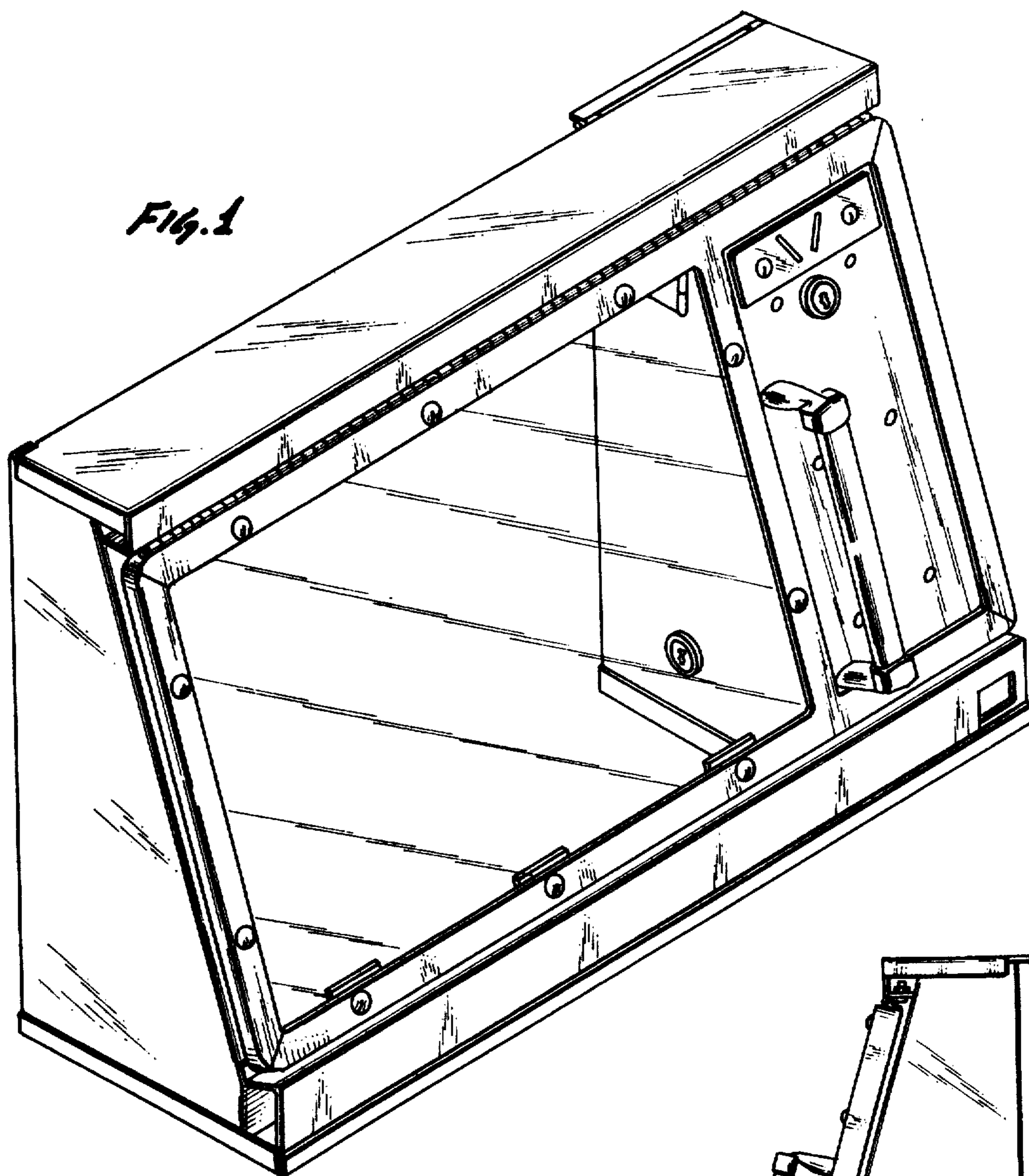


Fig. 2

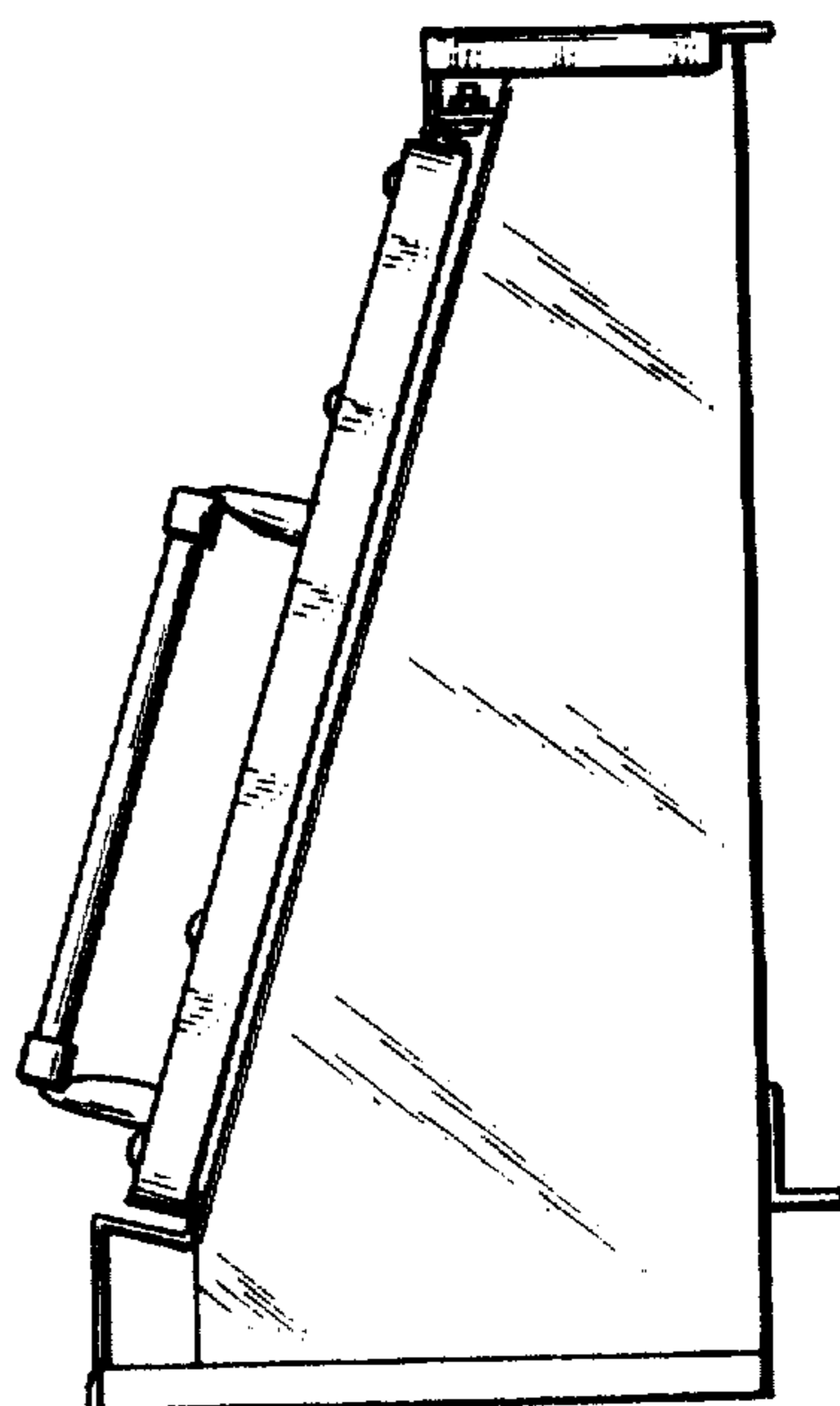


FIG. 3

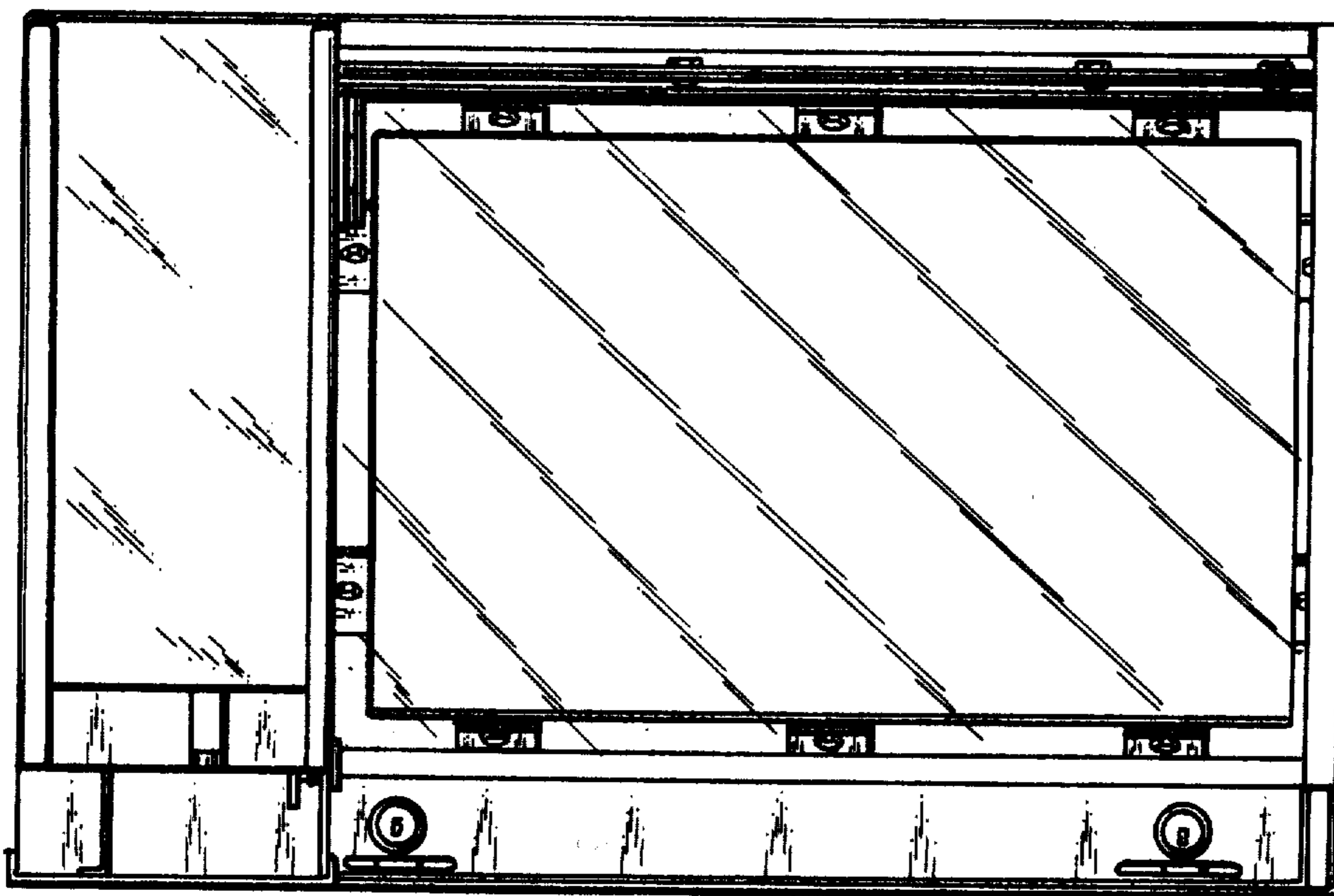


FIG. 4

