

[54] **NEWSPAPER VENDING MACHINE**

[75] Inventor: **Jack S. Chalabian**, Huntington Beach, Calif.

[73] Assignee: **K-Jack Engineering Company, Inc.**, Gardena, Calif.

[**] Term: **14 Years**

[21] Appl. No.: **363,046**

[22] Filed: **Mar. 29, 1982**

[52] U.S. Cl. **D20/6**

[58] Field of Search **D20/1, 2, 6, 8, 9;**
 194/1 G, 1 K, 10, 51, 59, 65; 221/1, 8, 39, 54,
 110, 154-155, 213-276, 232, 241, 259

[56] **References Cited**

U.S. PATENT DOCUMENTS

2,273,814	2/1942	Bartel	221/155 X
2,816,689	12/1957	Wolf	221/155 X
3,042,250	7/1962	Watlington	221/213 X
3,104,781	9/1963	Clift	221/232 X
3,180,518	4/1965	Roser	221/155 X
3,225,961	12/1965	Parks	221/214 X

3,253,690	5/1966	Brewton et al.	194/59 X
3,884,337	5/1975	Voegeli	194/59
4,067,477	1/1978	Chalabian	221/155 X

OTHER PUBLICATIONS

Berkley-Small Inc.-Flyer-4/76-K-500 Sho-Rack ®, Vend. Machine on front.

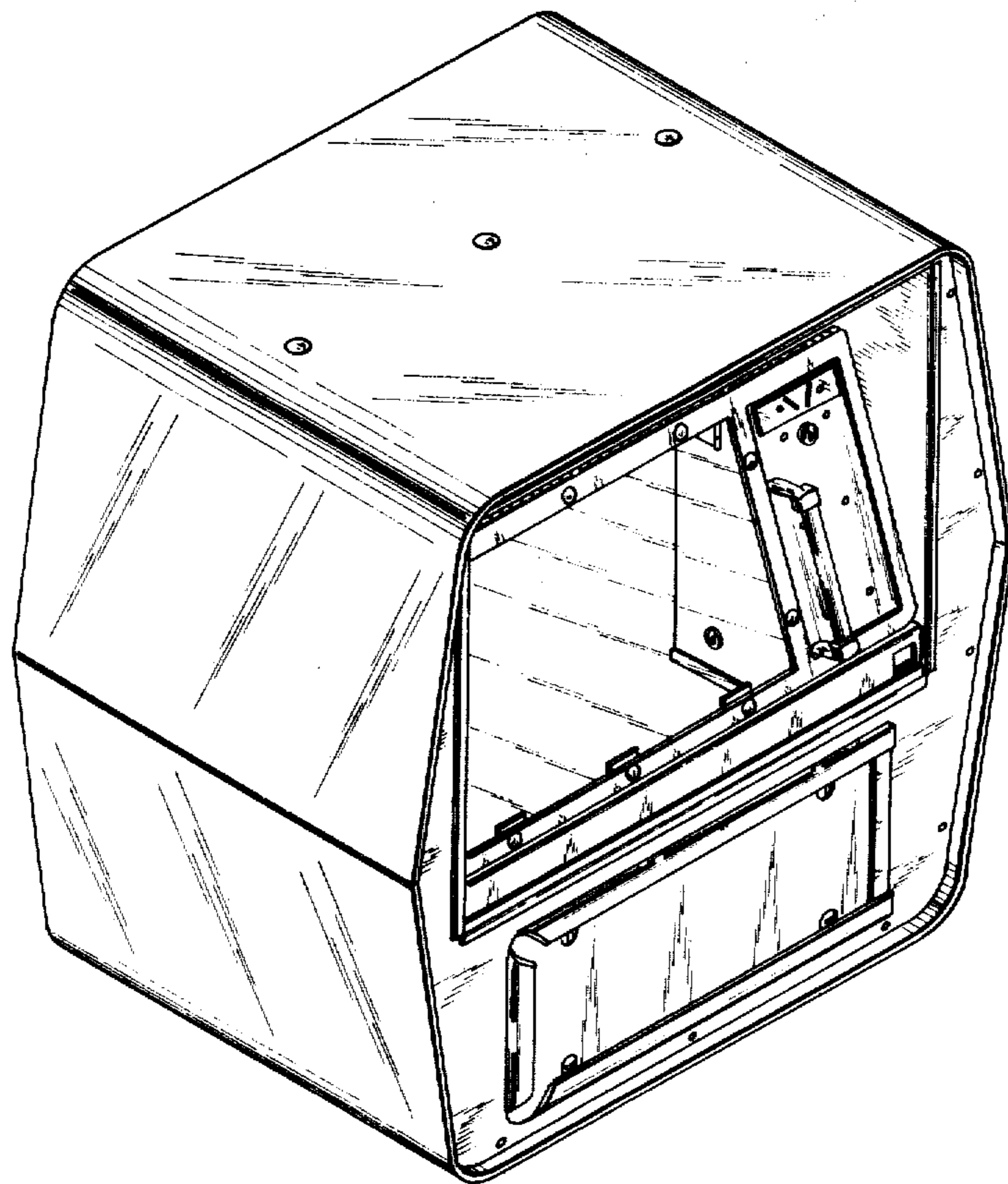
Primary Examiner—Nelson C. Holtje
Attorney, Agent, or Firm—Beehler, Pavitt, Siegemund, Jagger & Martella

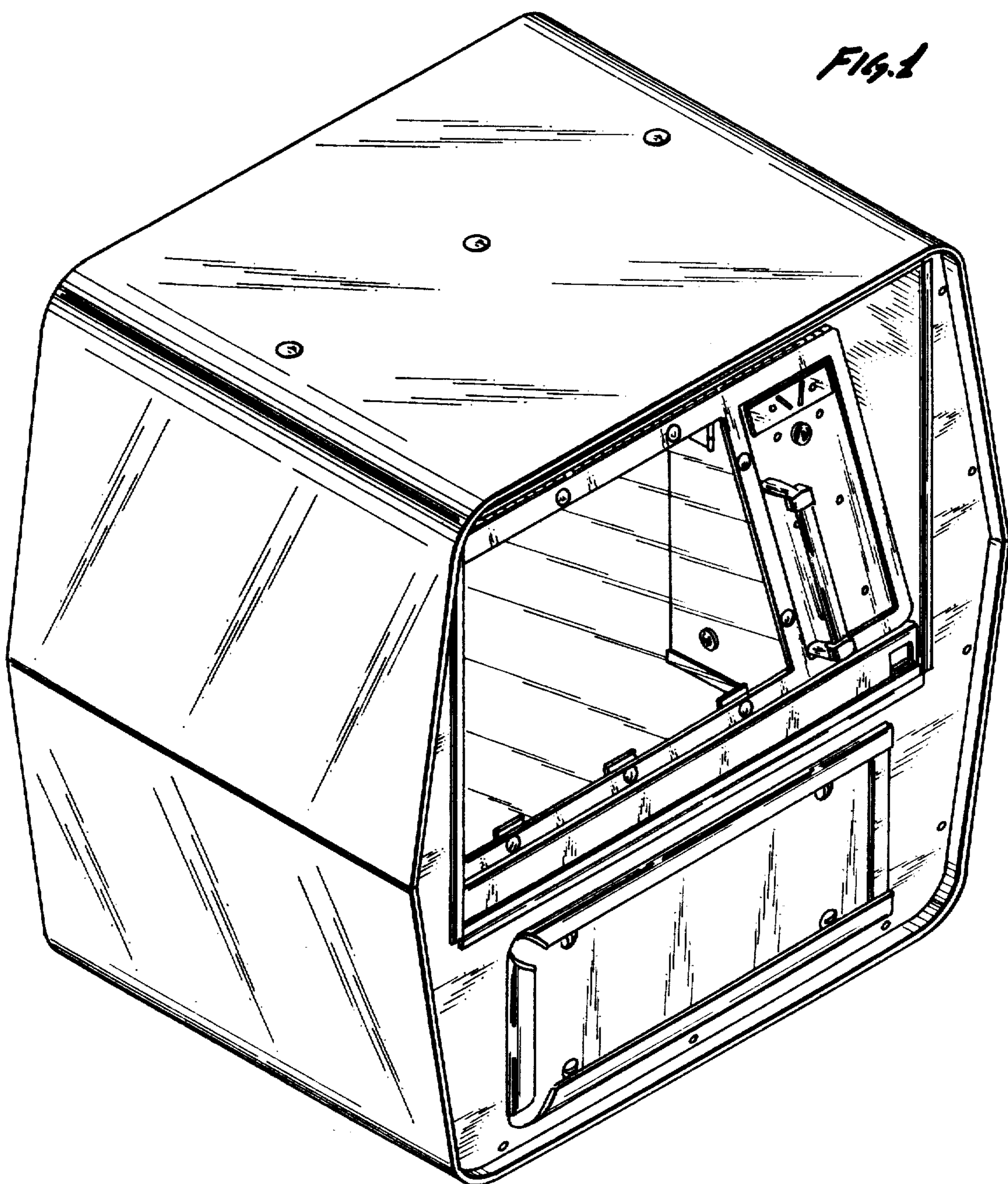
[57] **CLAIM**

The ornamental design for a newspaper vending machine, substantially as shown and described.

DESCRIPTION

FIG. 1 is a front and top-left perspective view of a newspaper vending machine showing my new design. FIG. 2 is a front elevational view thereof; FIG. 3 is a right side elevational view thereof, a portion of the top right corner shown broken-away for clarity of illustration; FIG. 4 is a rear elevational view thereof; FIG. 5 is a top plan view thereof, the bottom being substantially a mirror image thereof.





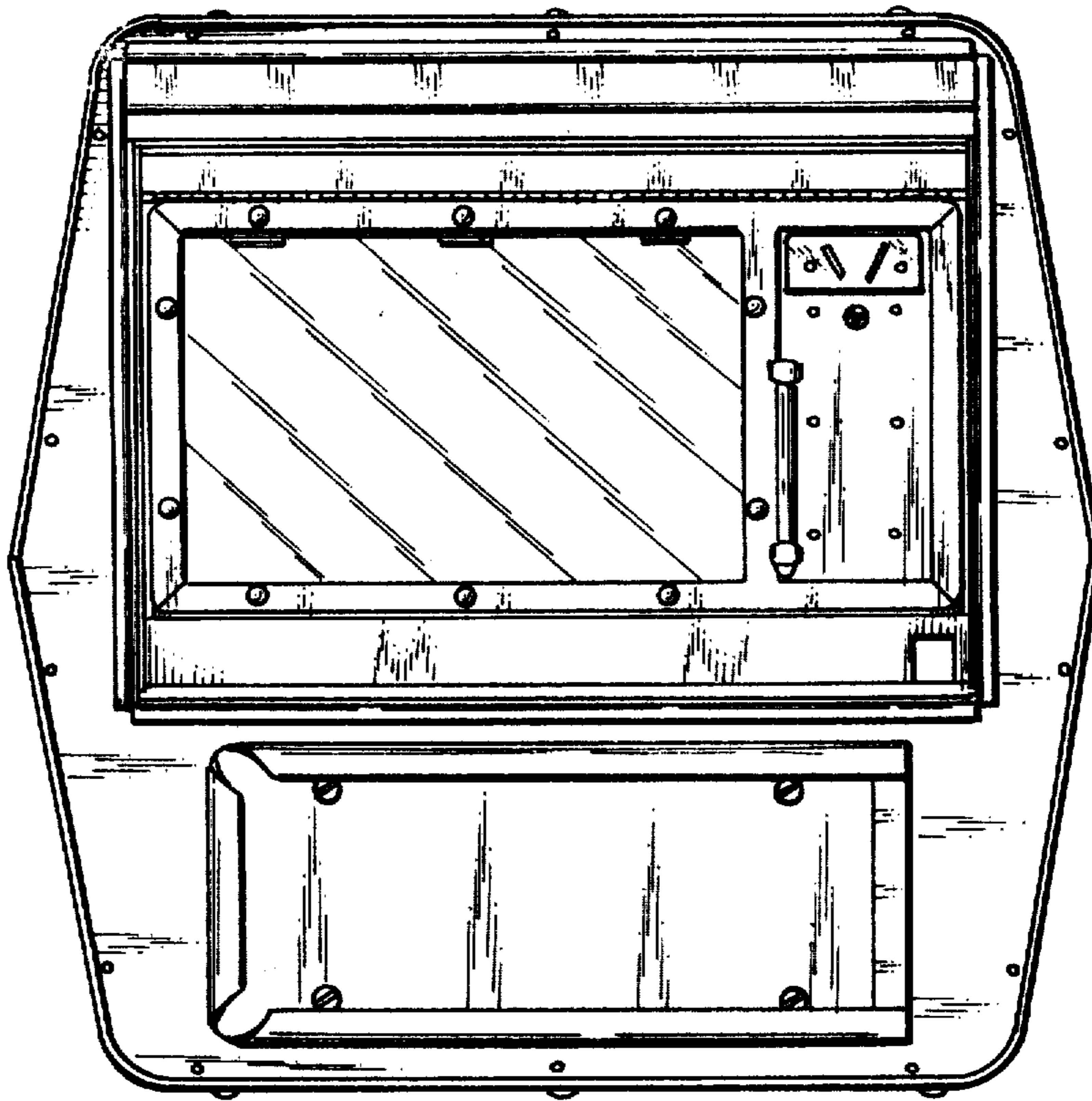
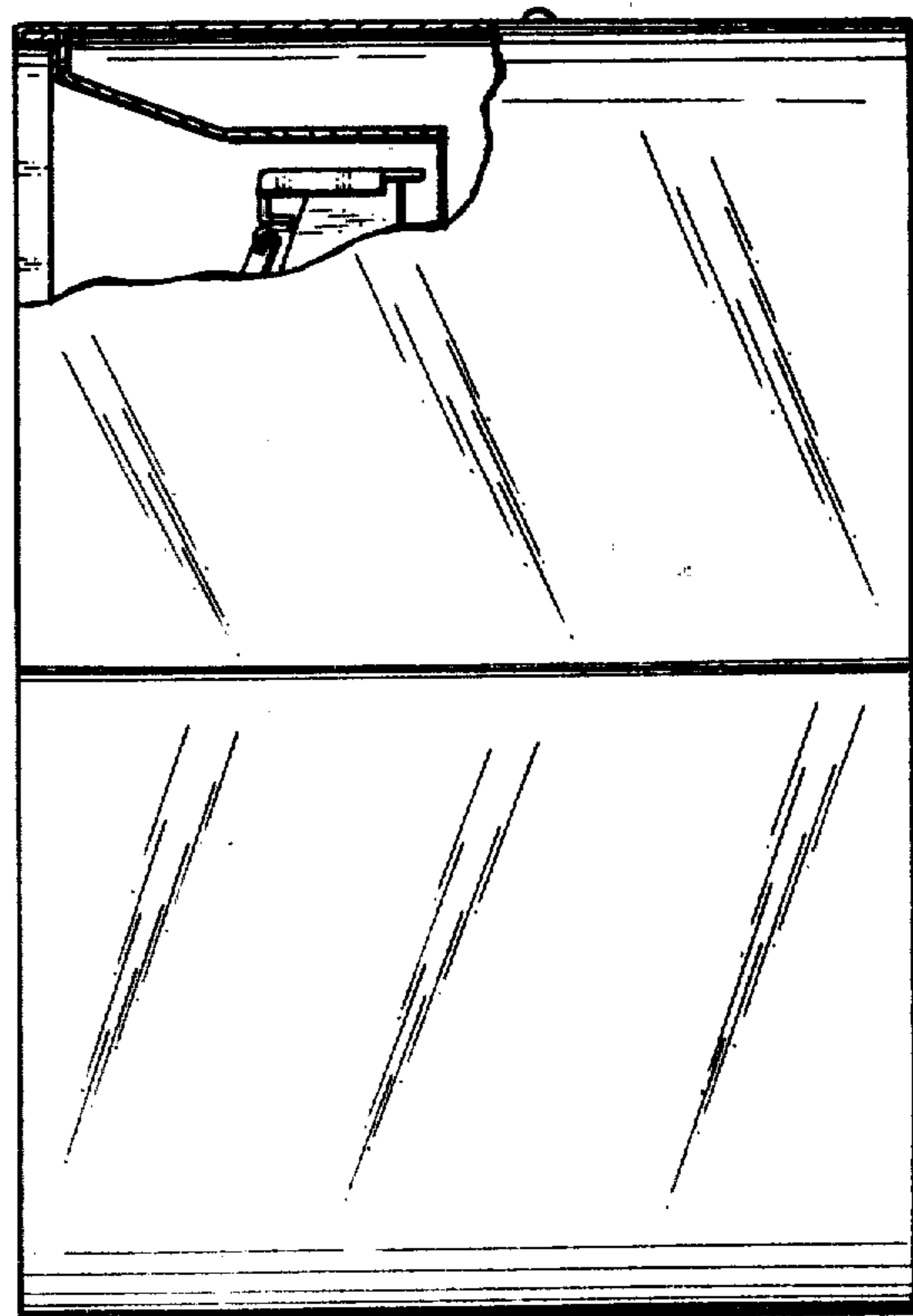


FIG. 2

FIG. 3



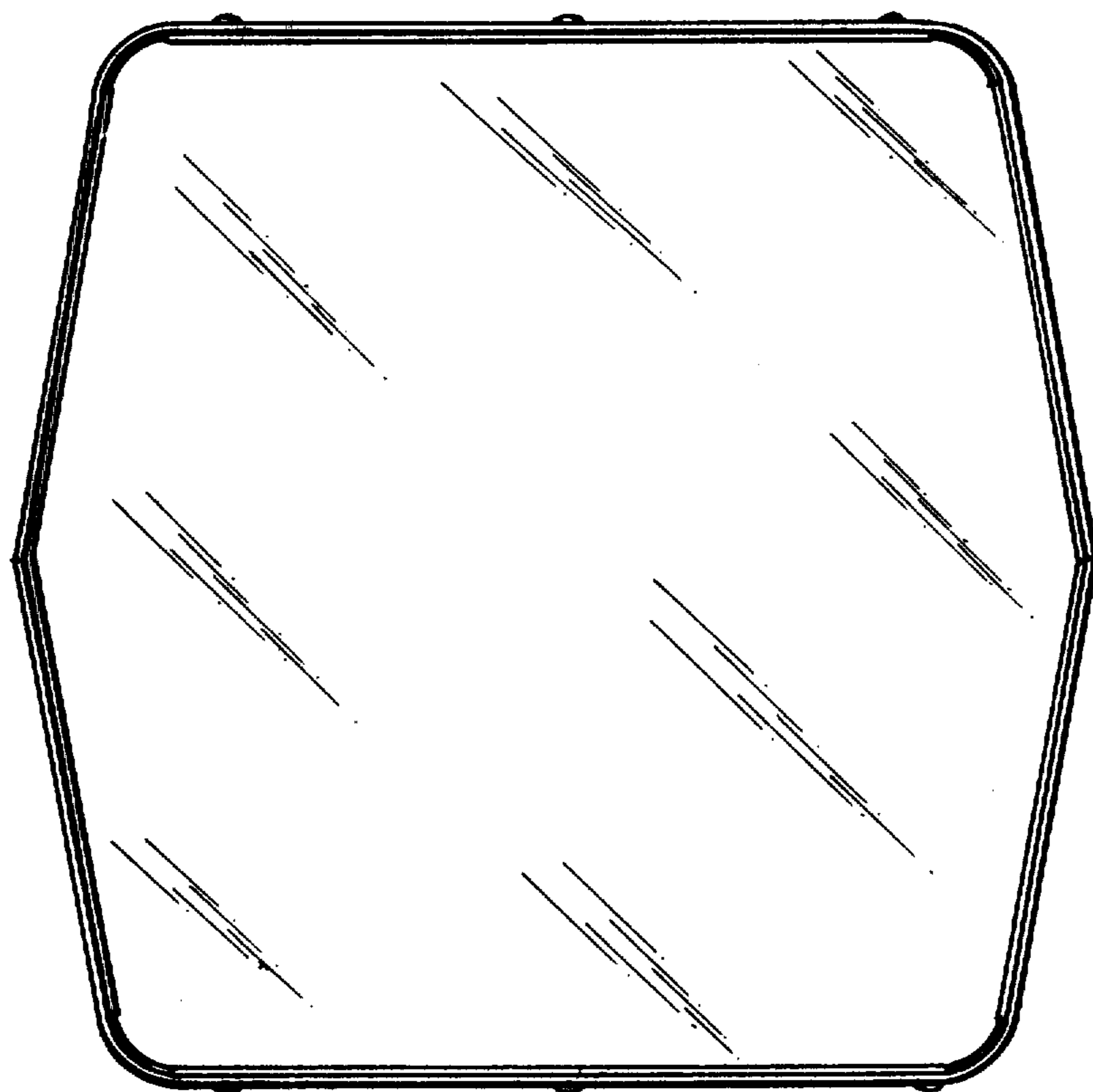


FIG. 4

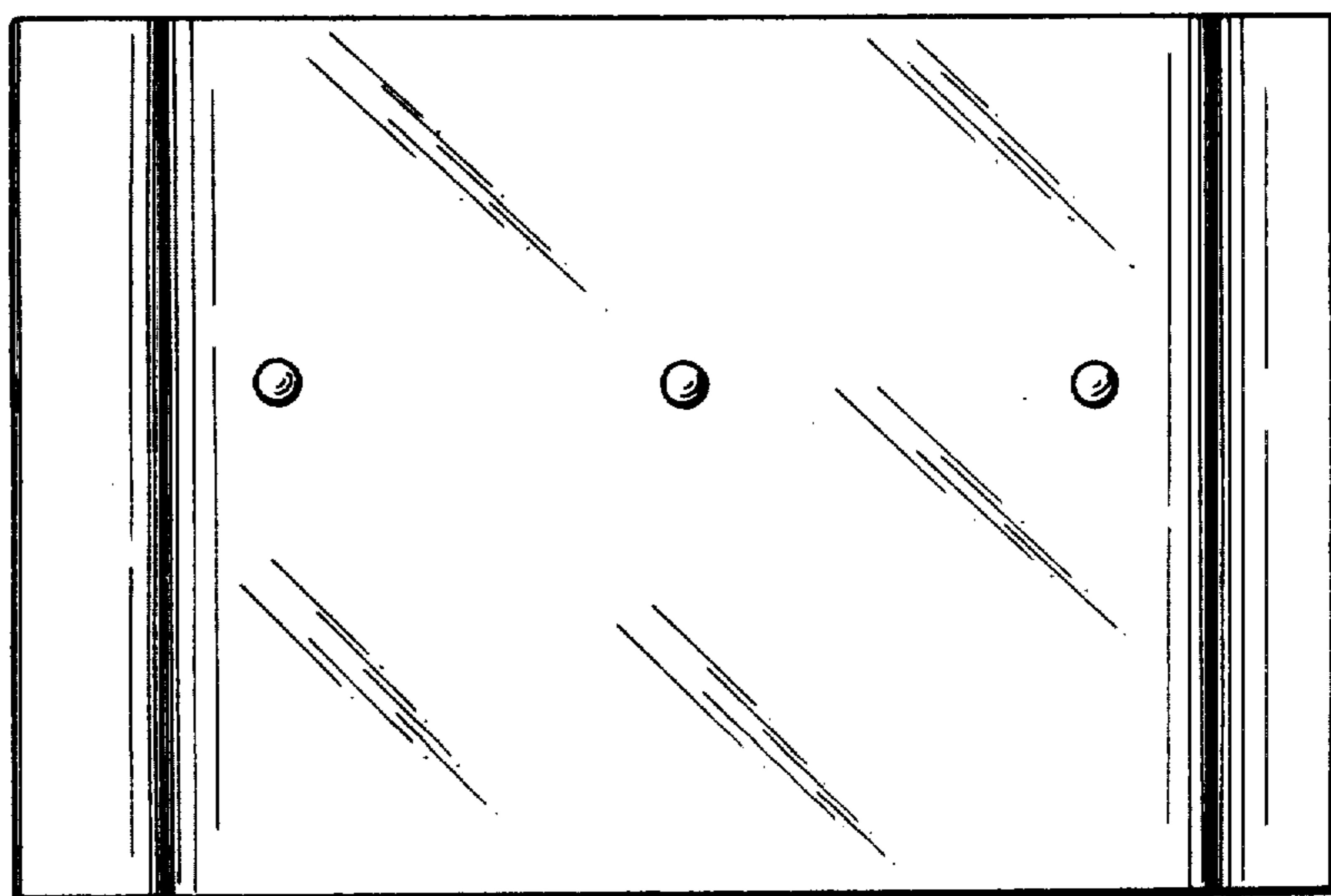


FIG. 5