

[54] NEWSPAPER VENDING MACHINE

3,709,405 1/1973 Harris ..... 221/232 X  
4,067,477 1/1978 Chalabian ..... 221/155 X  
4,199,077 4/1980 Lacewell ..... 221/213

[75] Inventor: Jack S. Chalabian, Huntington Beach, Calif.

[73] Assignee: K-Jack Engineering Company, Inc., Gardena, Calif.

[\*\*] Term: 14 Years

[21] Appl. No.: 363,043

[22] Filed: Mar. 29, 1982

[52] U.S. Cl. .... D20/6

[58] Field of Search ..... D20/1, 2, 6, 8, 9;  
194/1 G, 1 K, 10, 51, 59, 65; 221/1, 8, 39, 54,  
110, 154-155, 213-216, 232, 241, 279

[56] References Cited

U.S. PATENT DOCUMENTS

2,273,814	2/1942	Bartel et al. ....	221/155 X
2,816,688	12/1957	Wolf .....	221/155 X
3,042,250	7/1962	Watlington .....	221/213 X
3,180,518	4/1965	Roser .....	221/155 X
3,225,961	12/1965	Parks .....	221/214 X
3,253,690	5/1966	Brewton et al. ....	194/59 X
3,536,231	10/1970	Knickerbocker .....	221/155

OTHER PUBLICATIONS

*Berkley-Small, Inc. Flyer K-500 SHO-RACK* ®-4/76--  
front-newspaper rack.

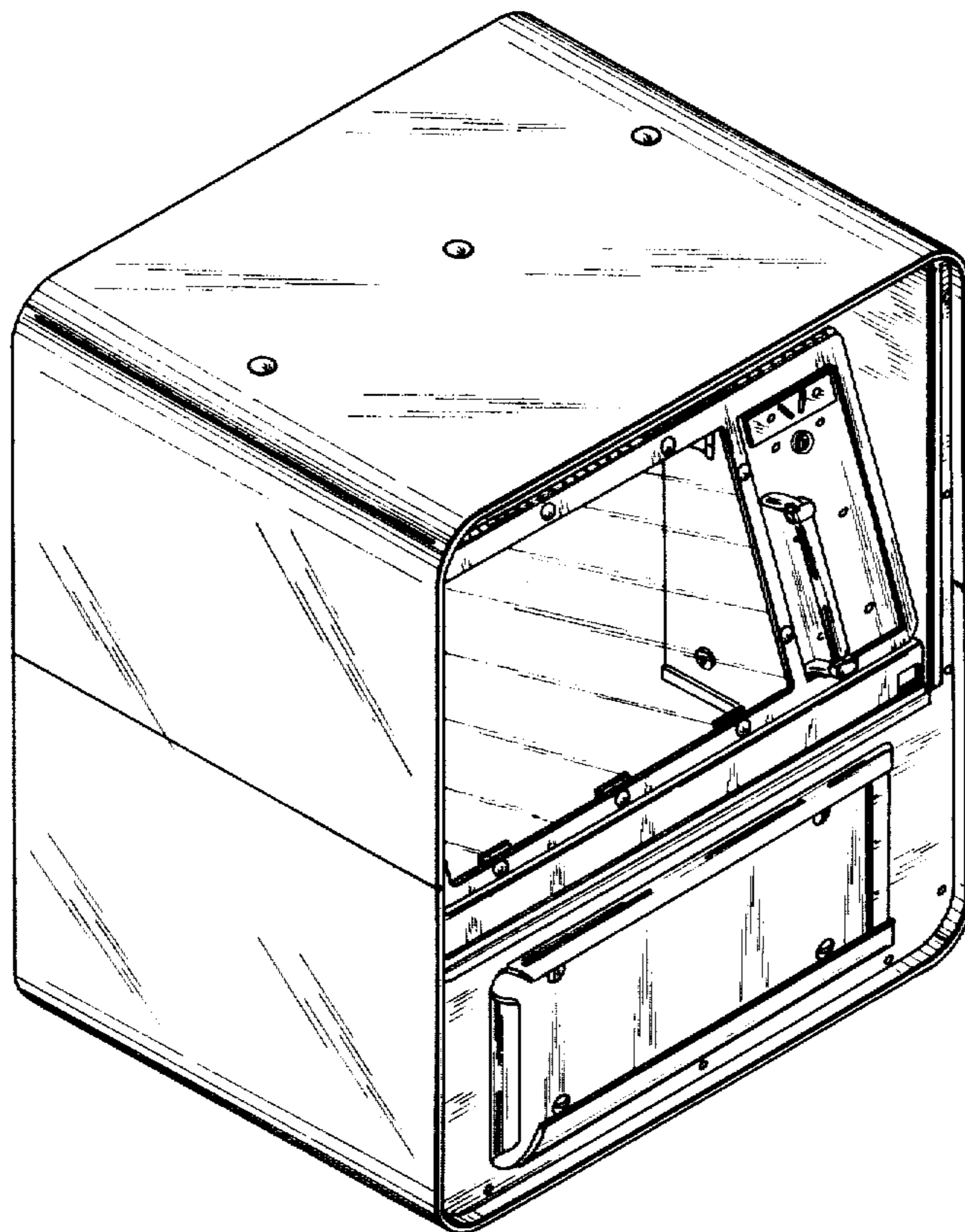
*Primary Examiner*—Nelson C. Holtje  
*Attorney, Agent, or Firm*—Beehler, Pavitt, Siegemund,  
Jagger & Martella

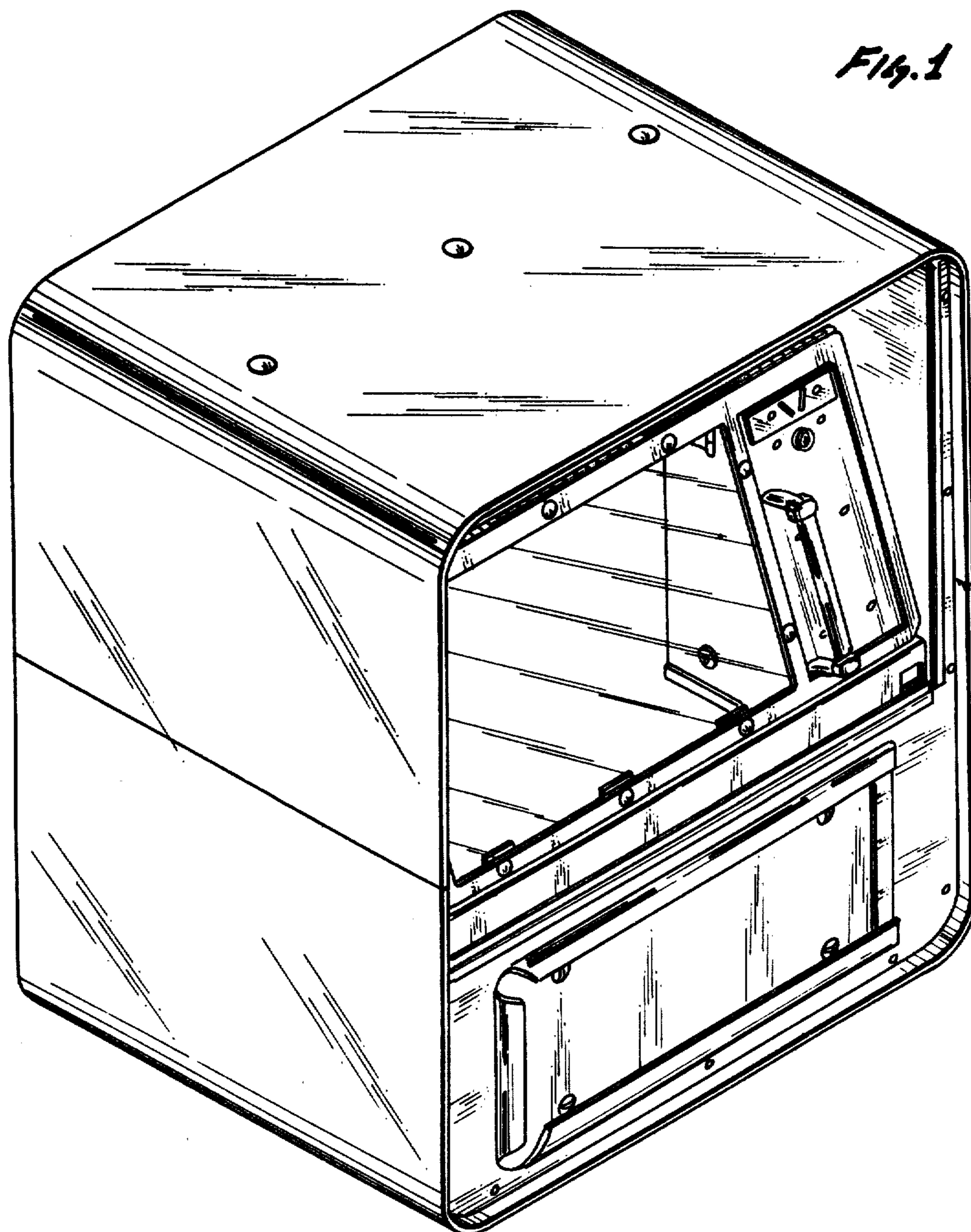
[57] CLAIM

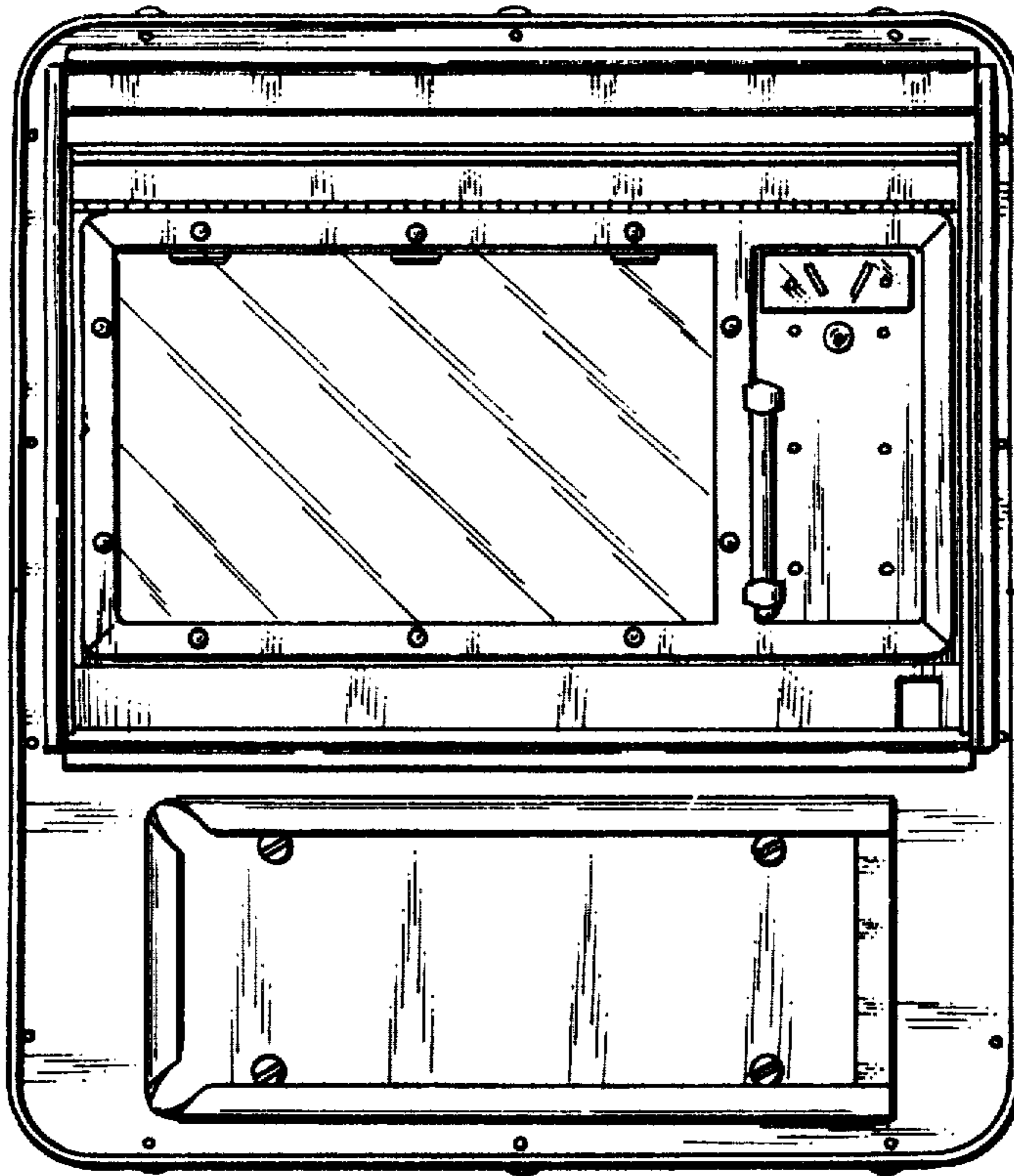
The ornamental design for a newspaper vending machine, substantially as shown and described.

DESCRIPTION

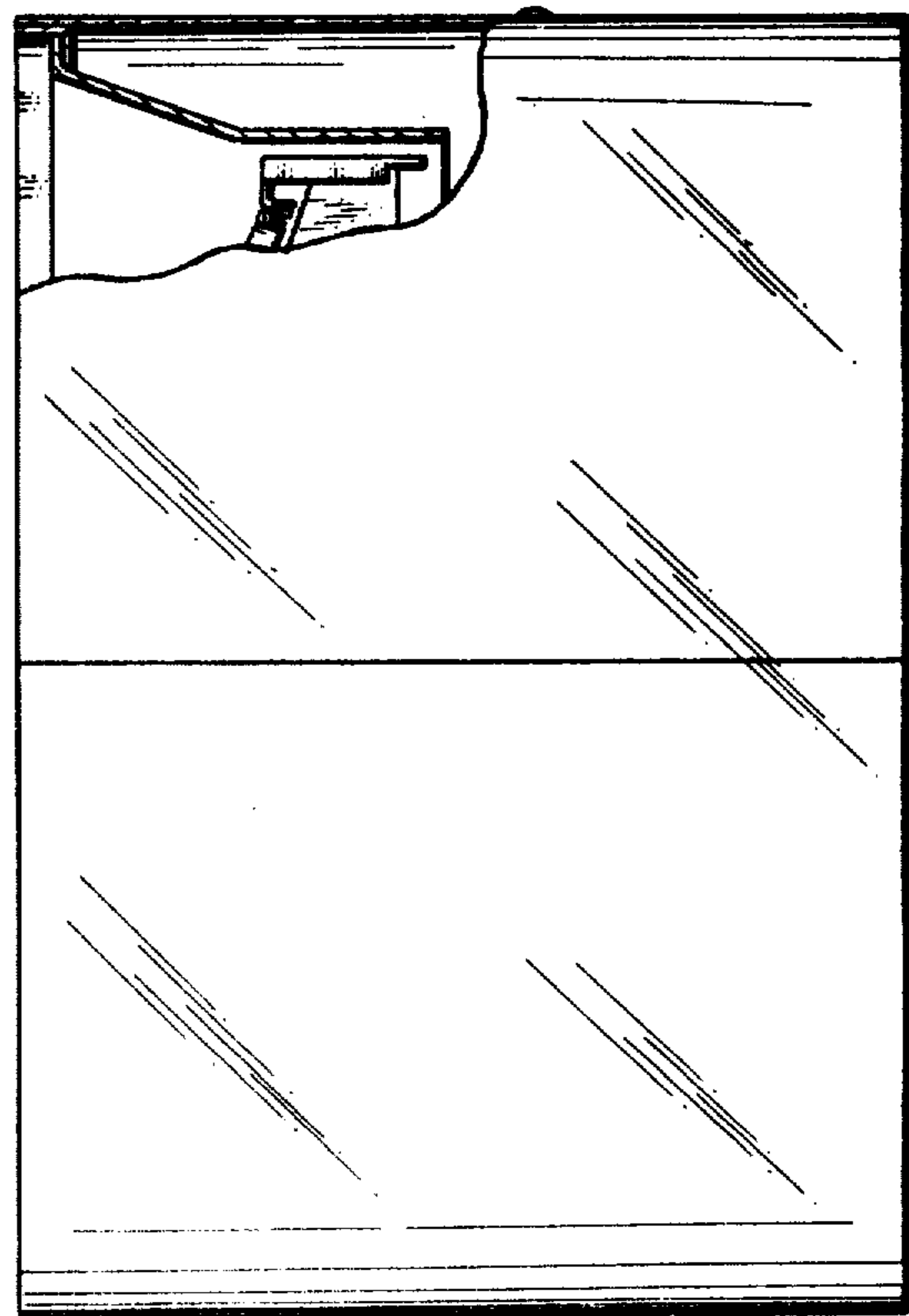
FIG. 1 is a front and top-left perspective view of a newspaper vending machine, showing my new design; FIG. 2 is a front elevational view thereof; FIG. 3 is a right side elevational view thereof, a portion of the top right corner shown broken-away for clarity of illustration; FIG. 4 is a rear elevational view thereof; FIG. 5 is a top plan view thereof, the bottom being substantially a mirror image thereof.



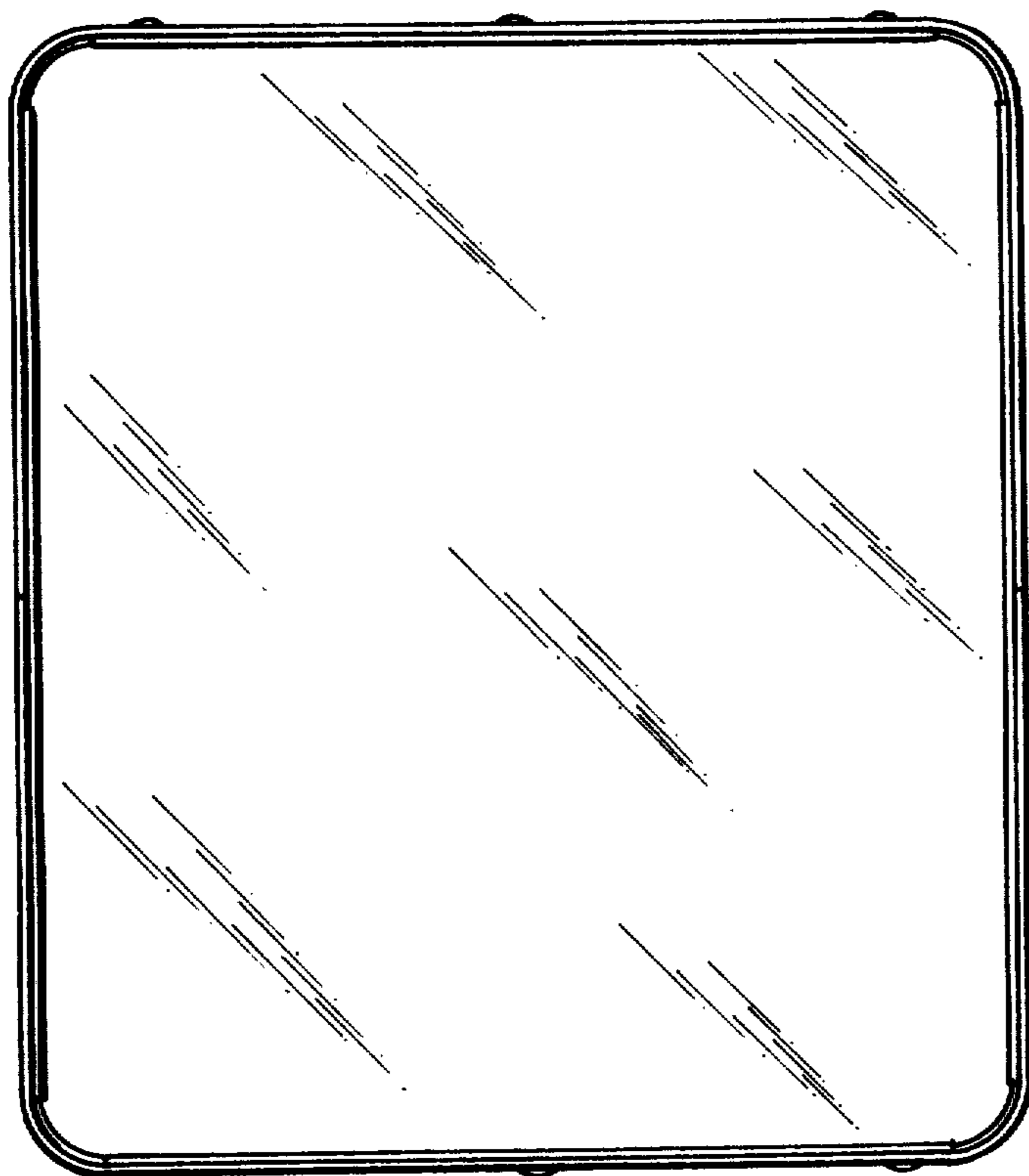




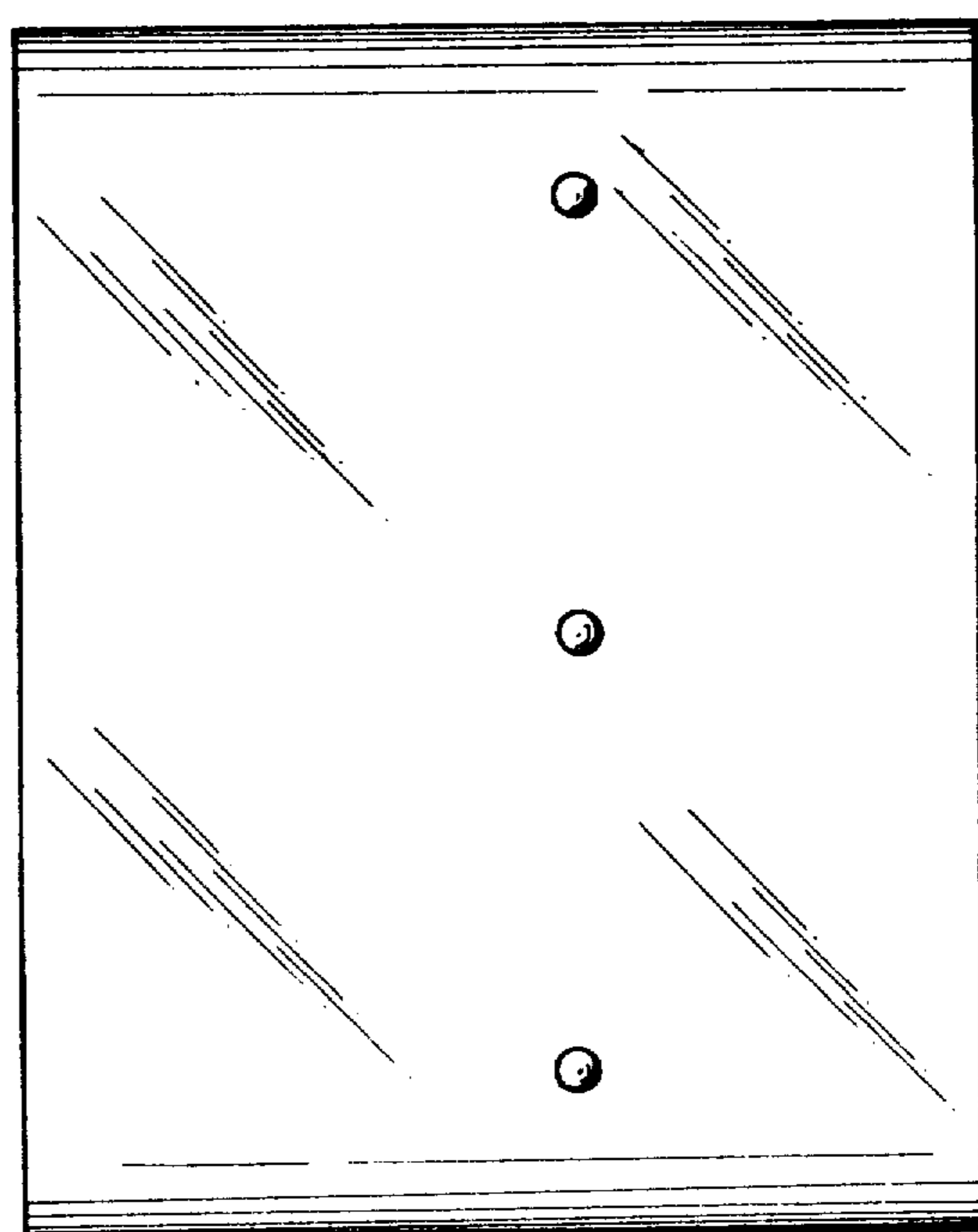
*FIG. 2*



*FIG. 3*



*FIG. 4*



*FIG. 5*