

[54] PRINTING MACHINE

[75] Inventors: Etsuo Hiraishi, Hiroshima; Takeshi Shohoji, Chiba, both of Japan

[73] Assignee: Ryobi Ltd., Hiroshima, Japan

[**] Term: 14 Years

[21] Appl. No.: 396,549

[22] Filed: Jul. 9, 1982

[30] Foreign Application Priority Data

Jan. 12, 1982 [JP] Japan 57-823

[52] U.S. Cl. D18/13

[58] Field of Search D18/13, 22, 99; 101/132.5, 141, 147

[56] References Cited

U.S. PATENT DOCUMENTS

D. 195,441 6/1963 Hose D18/13

- D. 243,416 2/1977 Shimizu et al. D18/13
- D. 251,692 4/1979 Hiraishi et al. D18/13
- D. 263,242 3/1982 Hiraishi et al. D18/13
- D. 265,210 6/1982 Hiraishi et al. D18/13

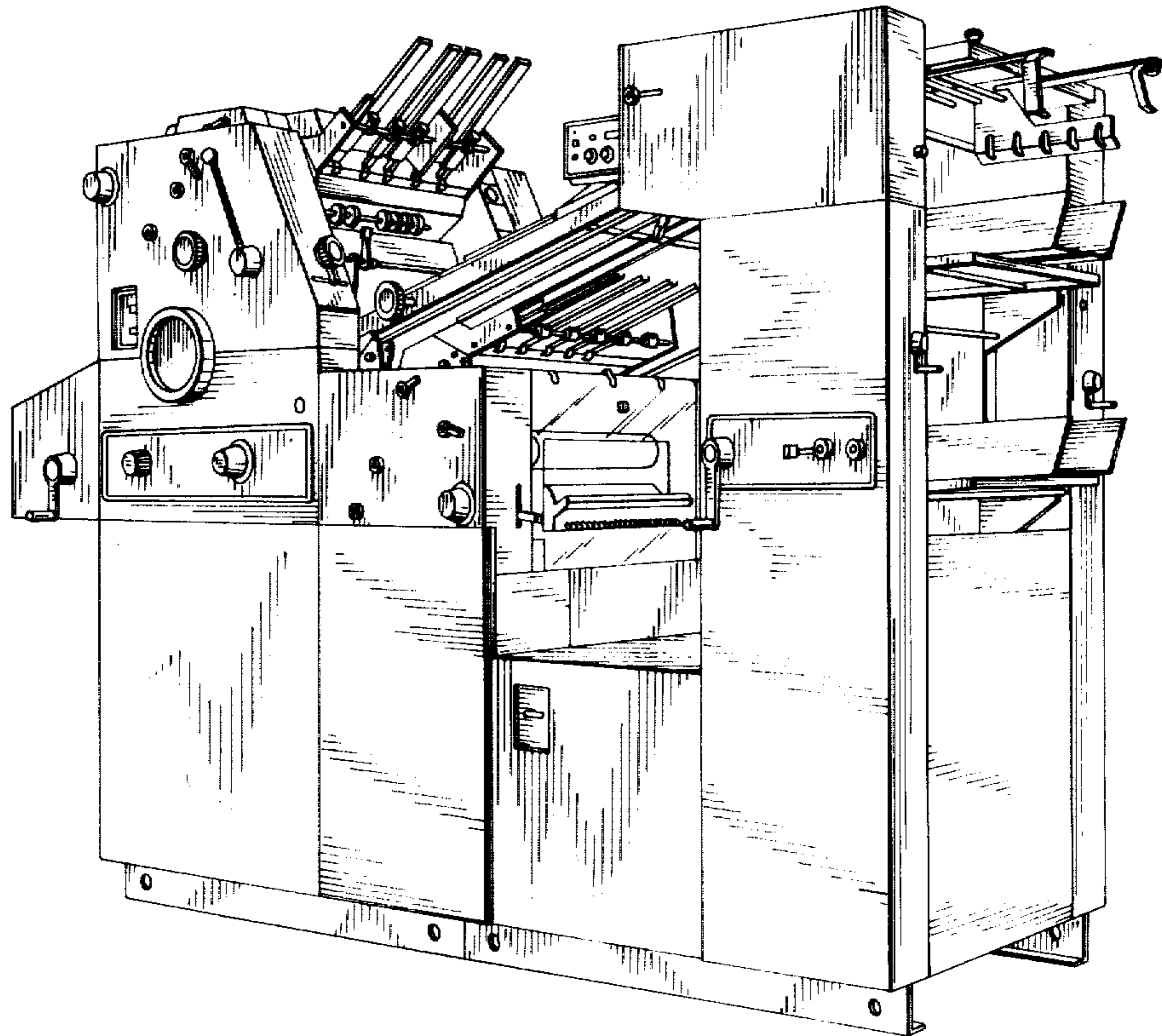
Primary Examiner—Louis S. Zarfes
Attorney, Agent, or Firm—Sughrue, Mion, Zinn, Macpeak and Seas

[57] CLAIM

The ornamental design for a printing machine, as shown.

DESCRIPTION

FIG. 1 is a front and right side perspective view of a printing machine showing our new design; FIG. 2 is a front elevational view thereof; FIG. 3 is a rear elevational view thereof; FIG. 4 is a top plan view thereof; FIG. 5 is a left side elevational view thereof; and FIG. 6 is a right side elevational view thereof.



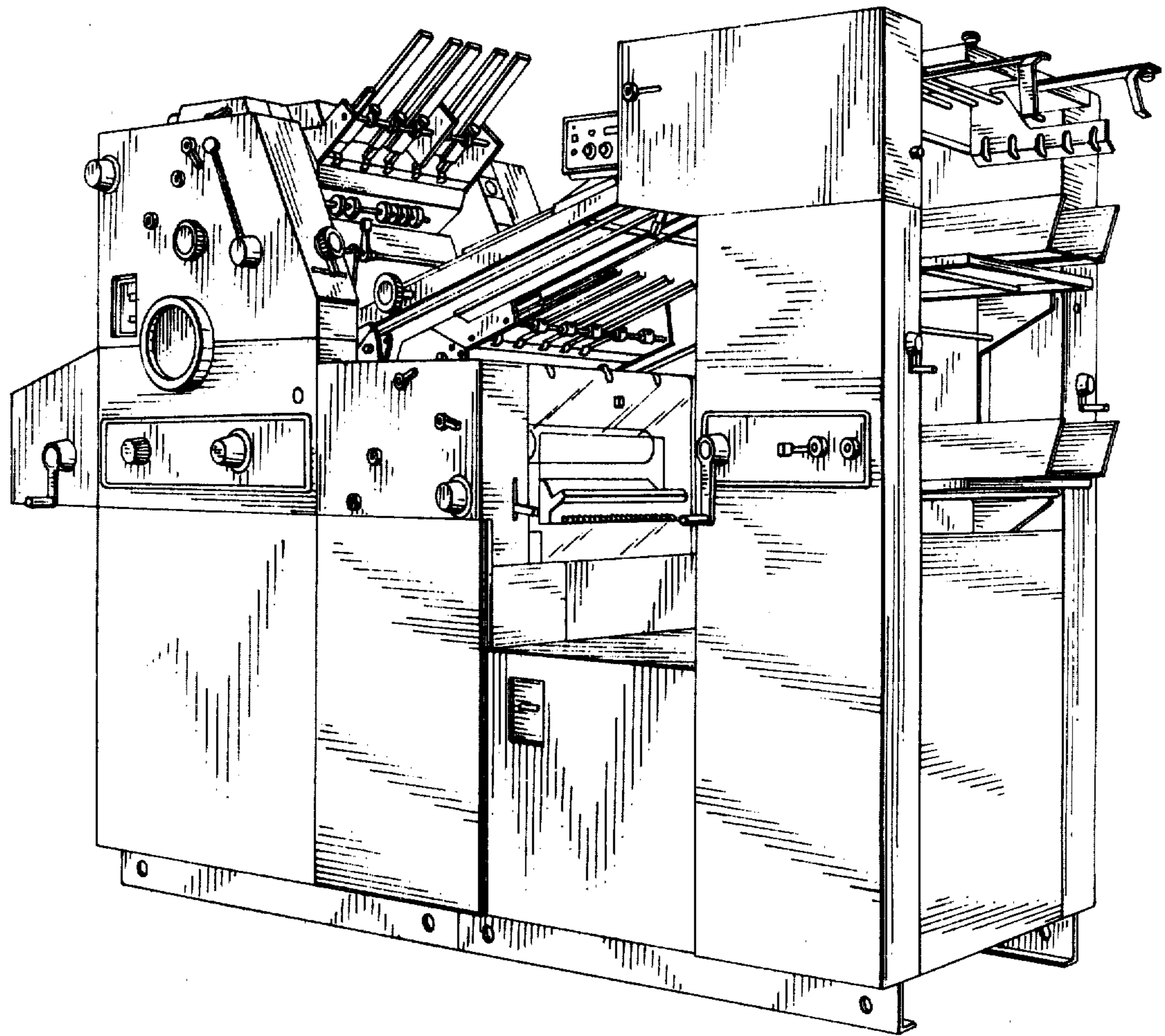


FIG. 1

FIG. 2

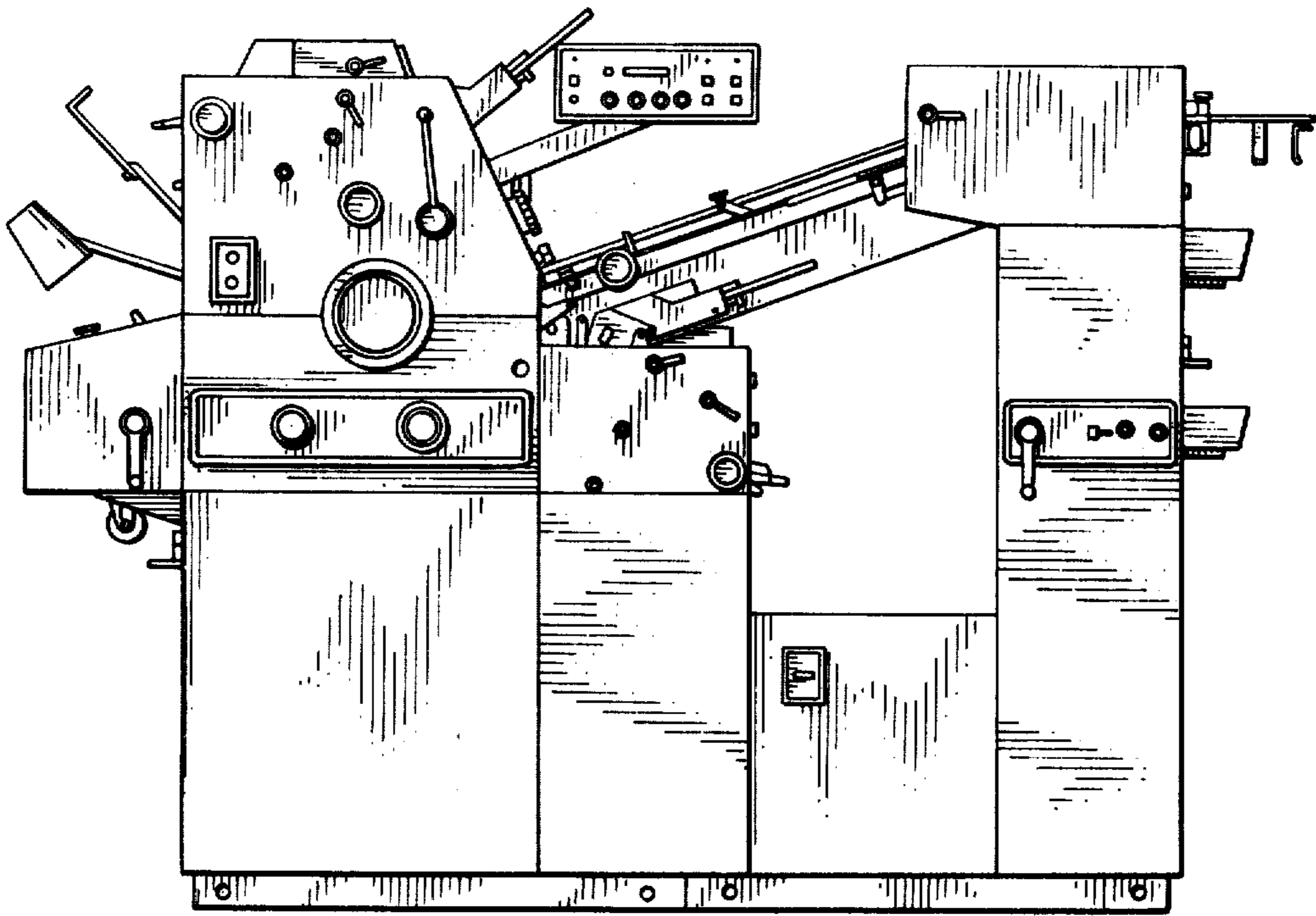
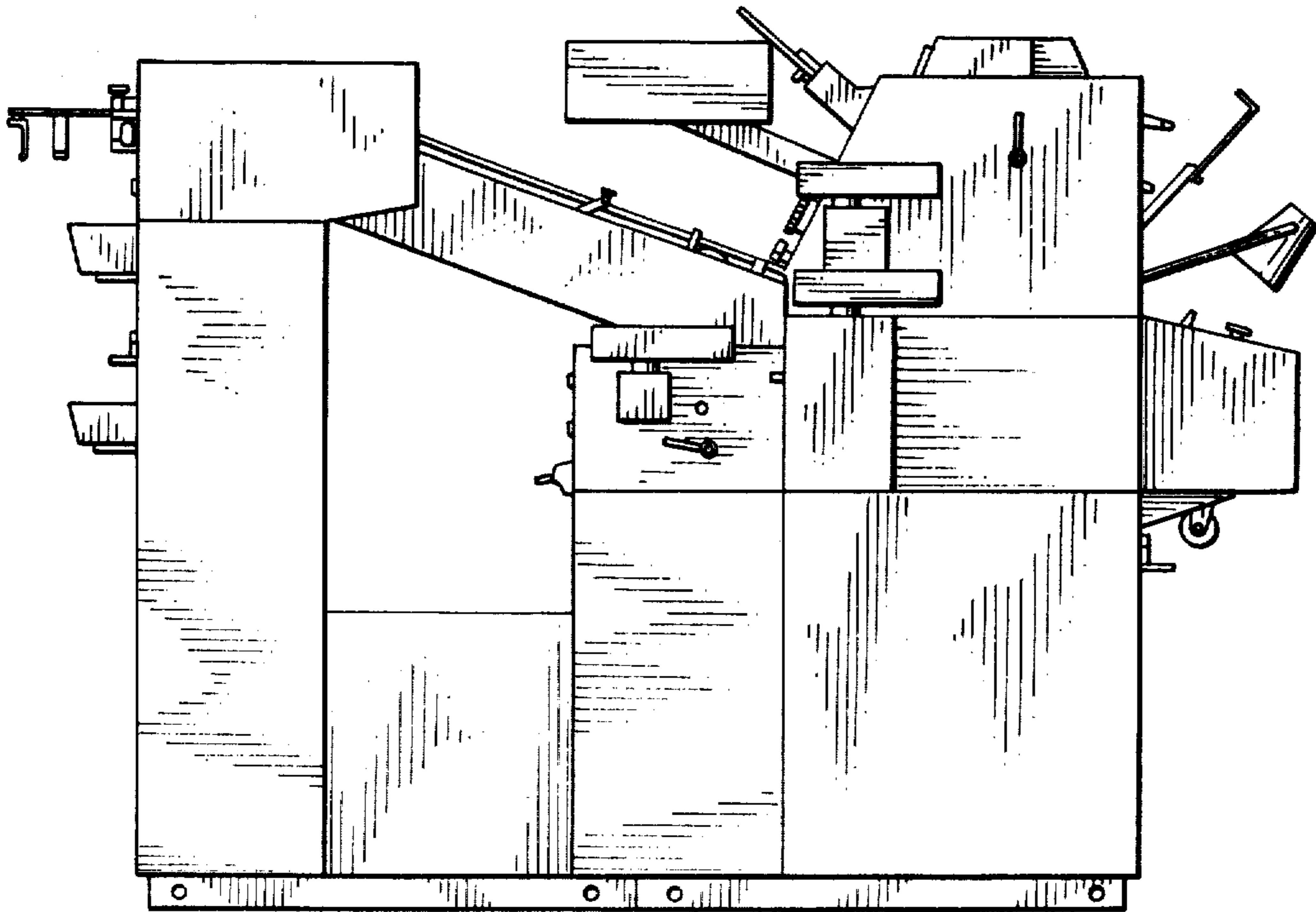


FIG. 3



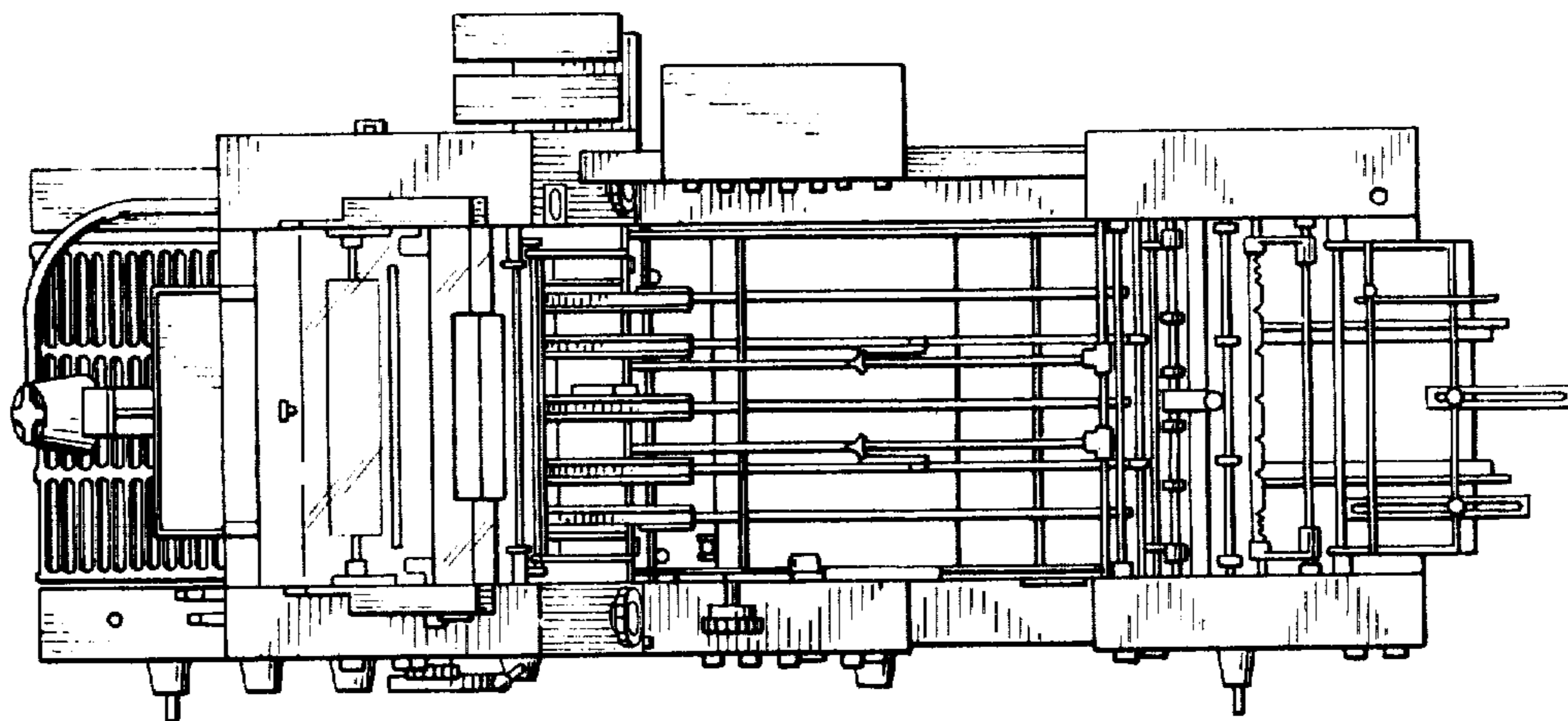


FIG. 4

FIG. 5

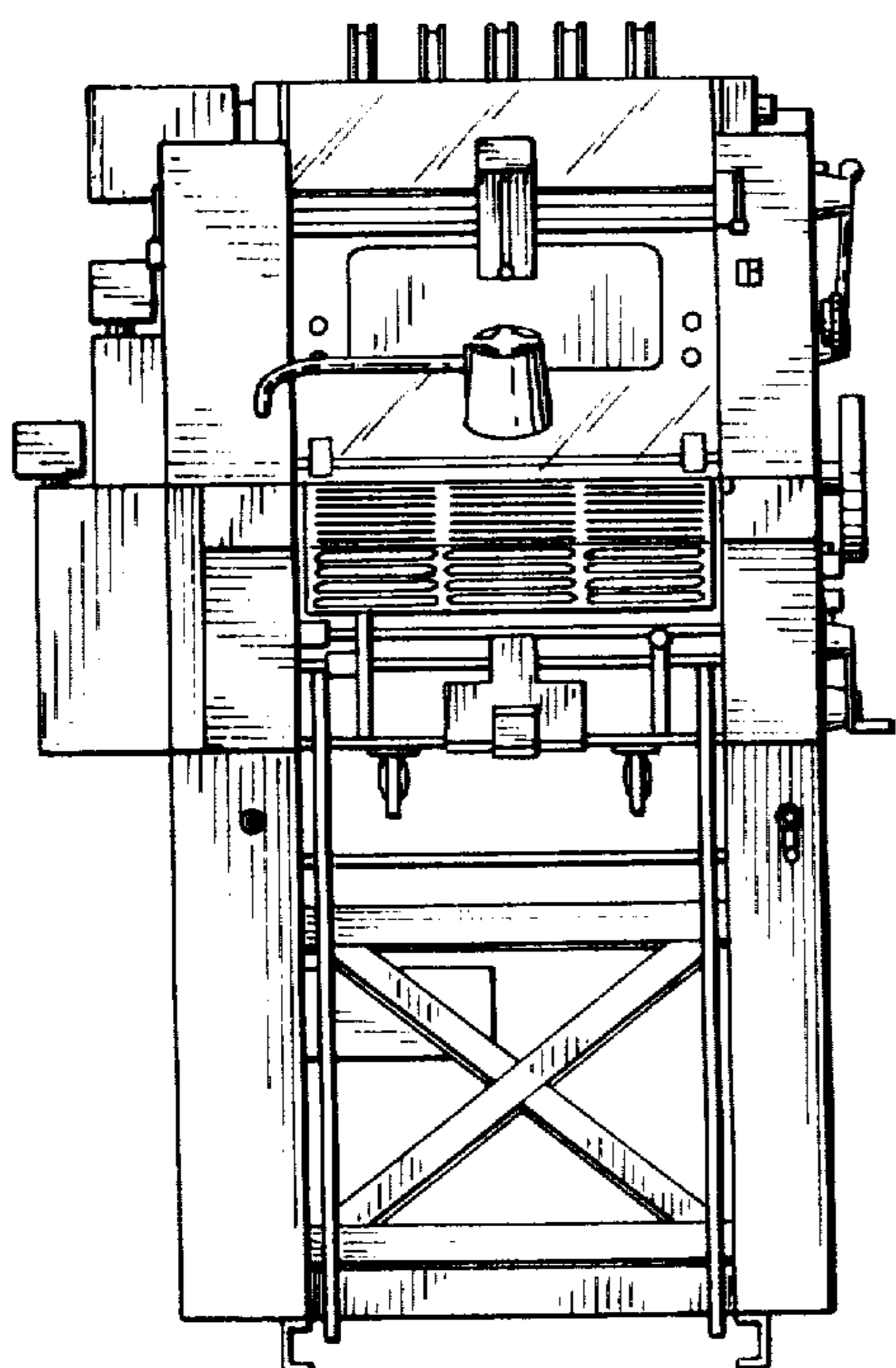


FIG. 6

