

[54] LINEN TESTER

[76] Inventor: Benjamin A. Cuoco, 315 Prospect St., East Longmeadow, Mass. 01028

[**] Term: 14 Years

[21] Appl. No.: 262,784

[22] Filed: May 11, 1981

[52] U.S. Cl. D16/135; D16/17

[58] Field of Search D16/17 R, 18, 130, 134, D16/135; 350/245, 250

[56] References Cited

U.S. PATENT DOCUMENTS

- D. 127,030 5/1941 Bettcher D16/135
- D. 181,321 10/1957 Stowell D16/135 X
- D. 214,137 5/1969 Bright D16/135
- D. 246,047 10/1977 Zalman D16/55
- 597,758 1/1898 Bausch 350/250
- 1,702,317 2/1929 Rose D16/135 X

- 2,096,696 10/1937 Land 350/245 X
- 2,601,619 6/1952 Loomis D16/17 X
- 2,682,806 7/1954 Gordonier D16/135 X
- 3,756,699 9/1973 Martin 350/250

FOREIGN PATENT DOCUMENTS

- 1457816 9/1966 France 350/250

Primary Examiner—Nelson C. Holtje

Attorney, Agent, or Firm—Chapin, Neal & Dempsey

[57] CLAIM

The ornamental design of a linen tester, as shown.

DESCRIPTION

FIG. 1 is a top and right front perspective view of a linen tester showing my new design;
 FIG. 2 is a front elevational view thereof;
 FIG. 3 is a left side elevational view thereof;
 FIG. 4 is a rear elevational view thereof;
 FIG. 5 is a bottom plan view thereof.

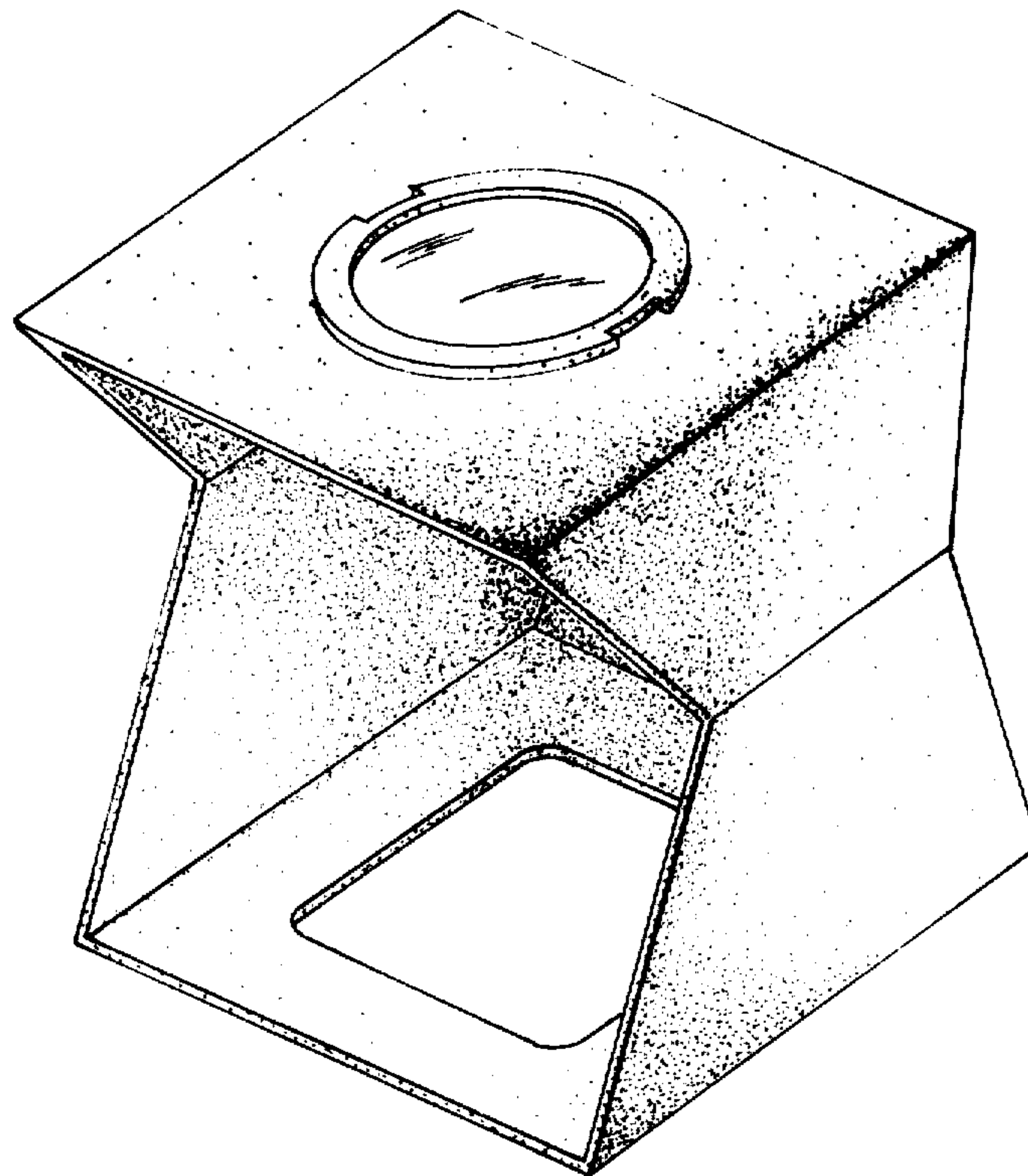


Fig. 1.

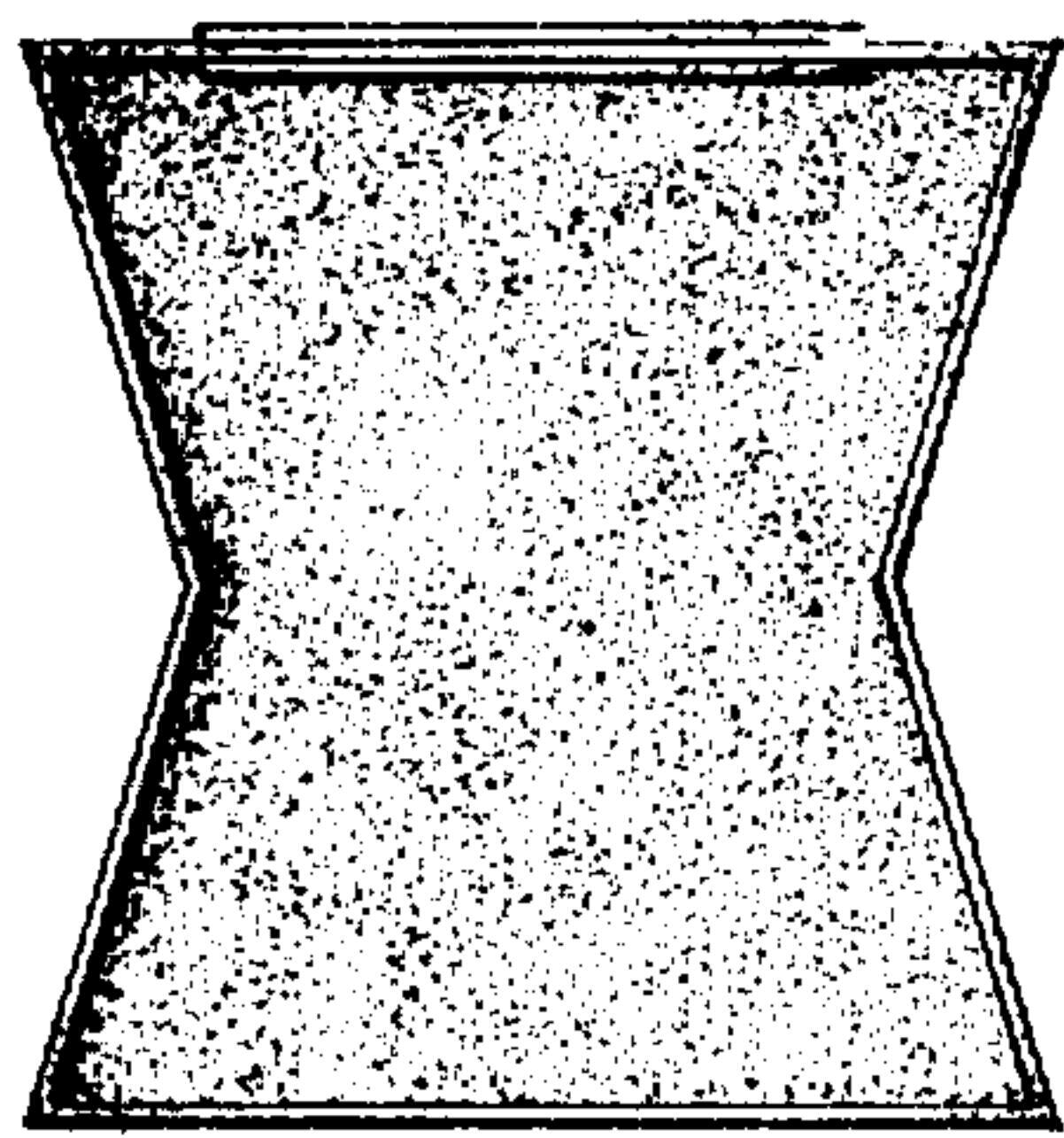
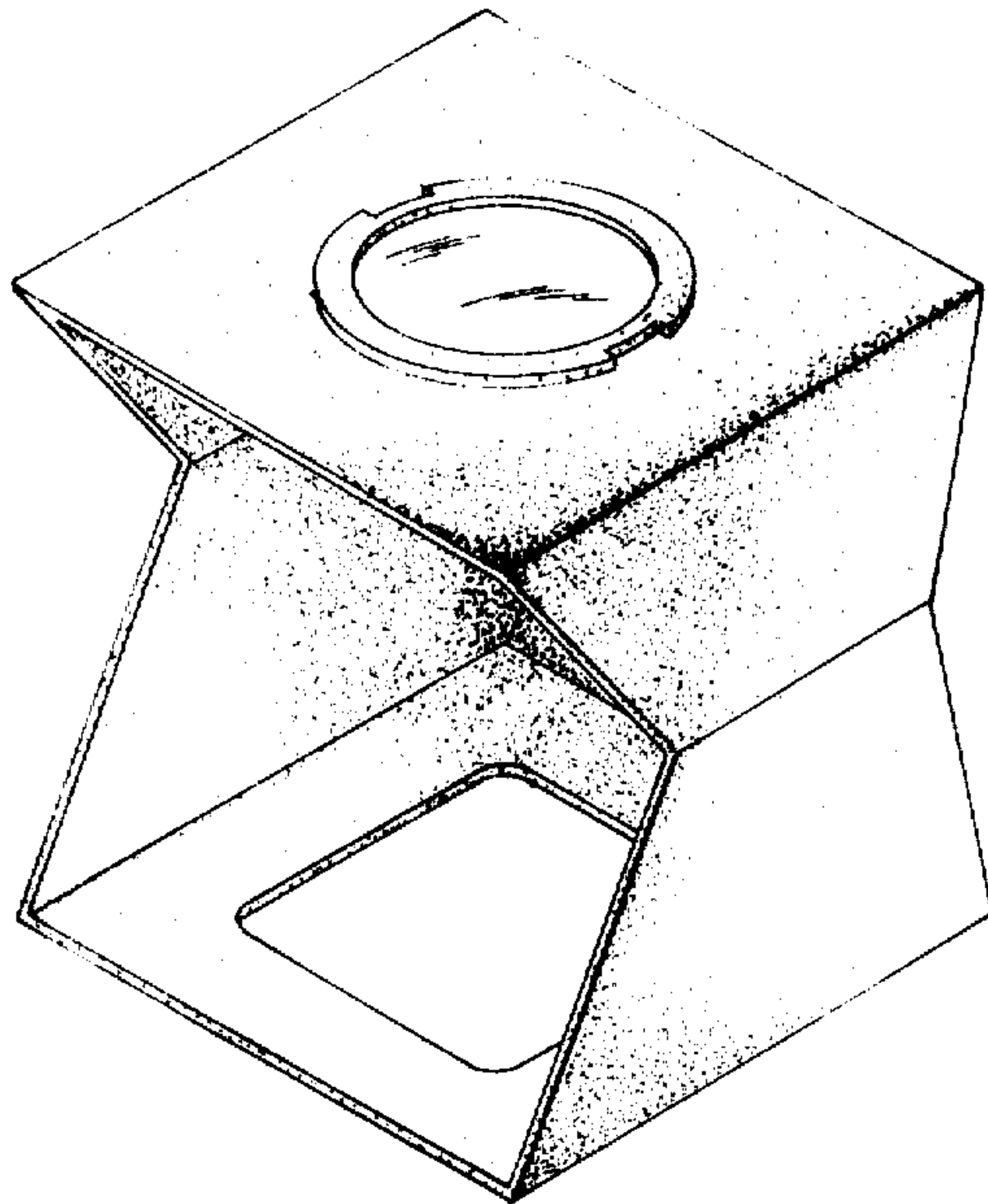


Fig. 2.

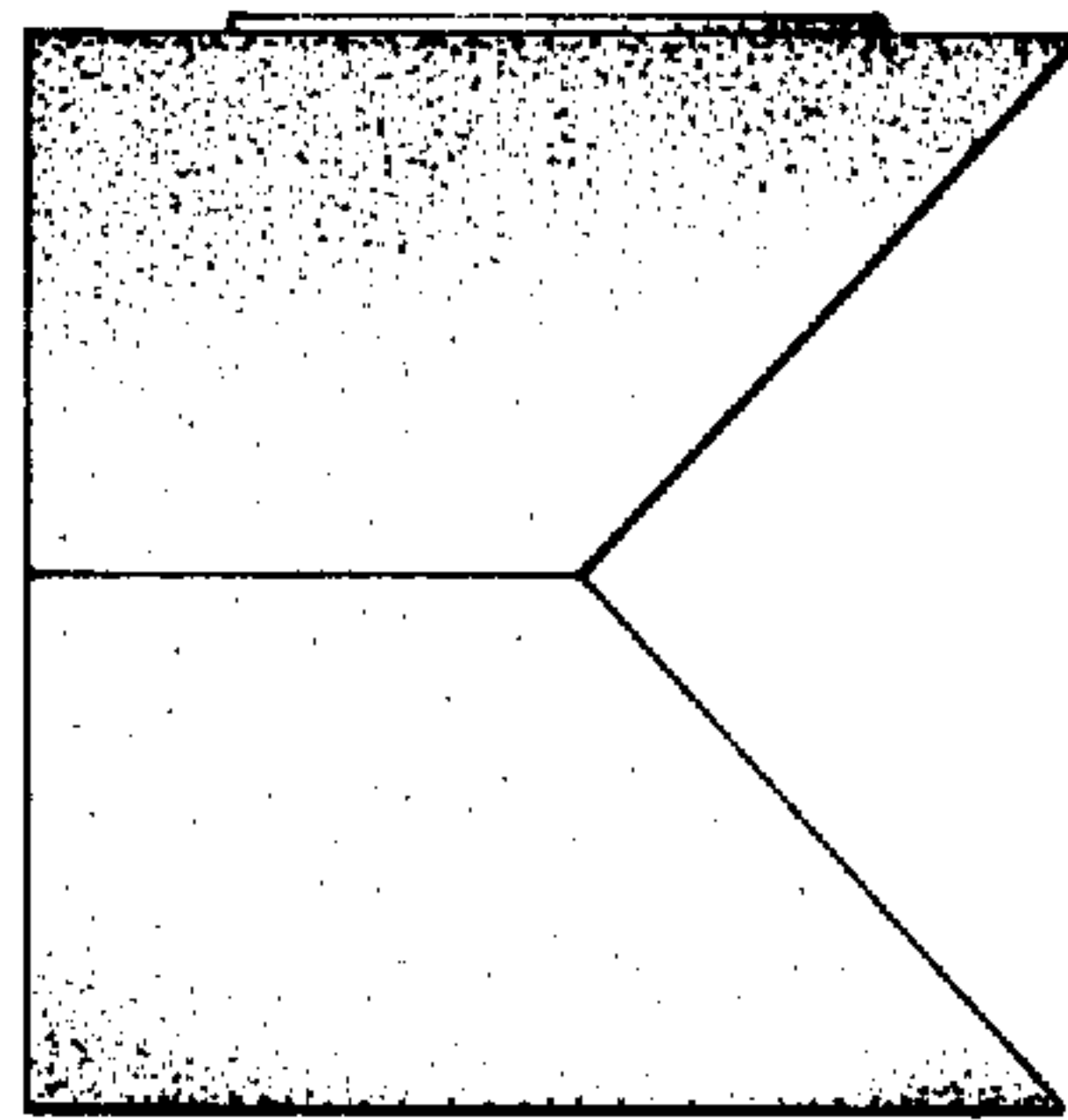


Fig. 3.

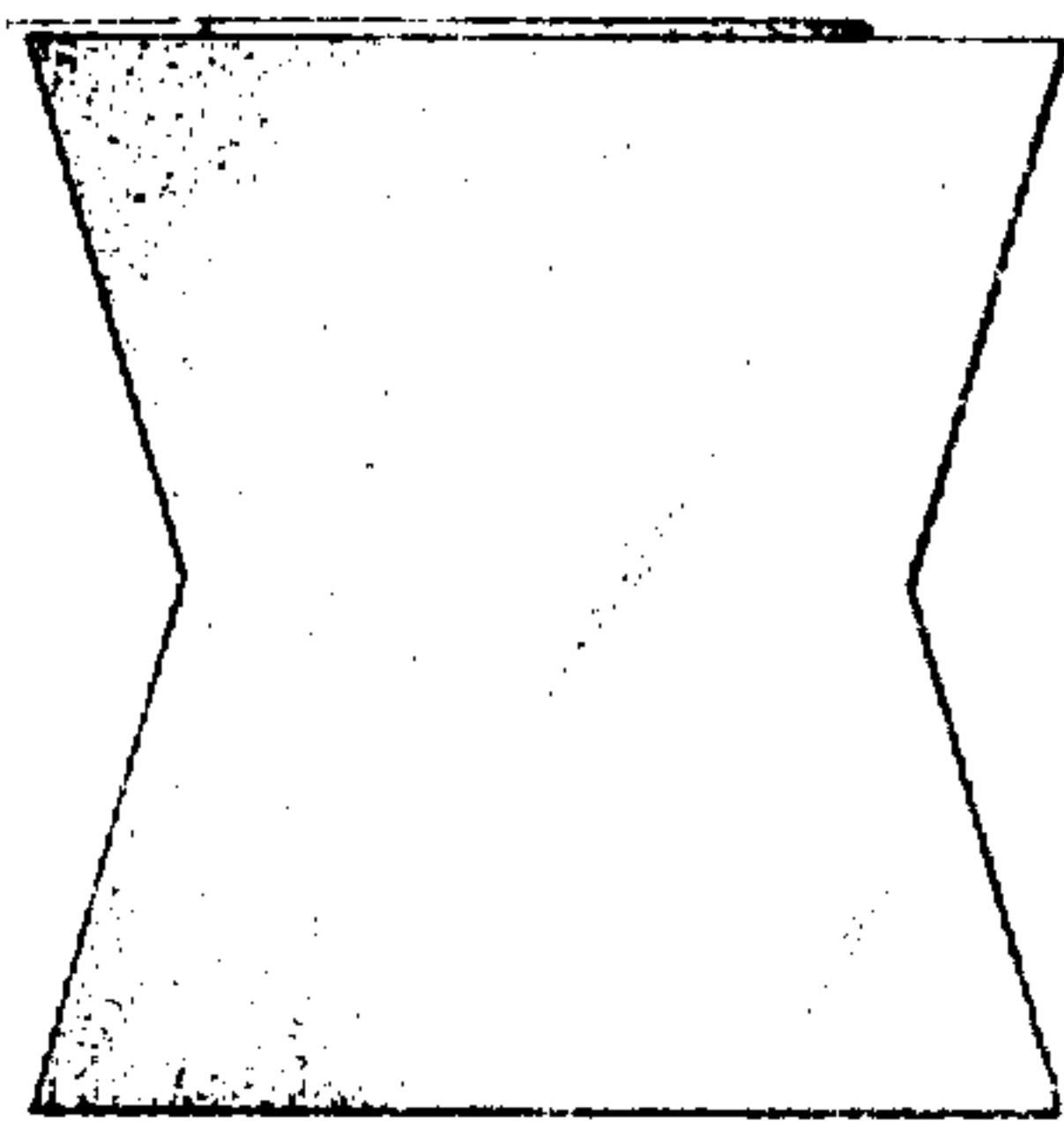


Fig. 4.

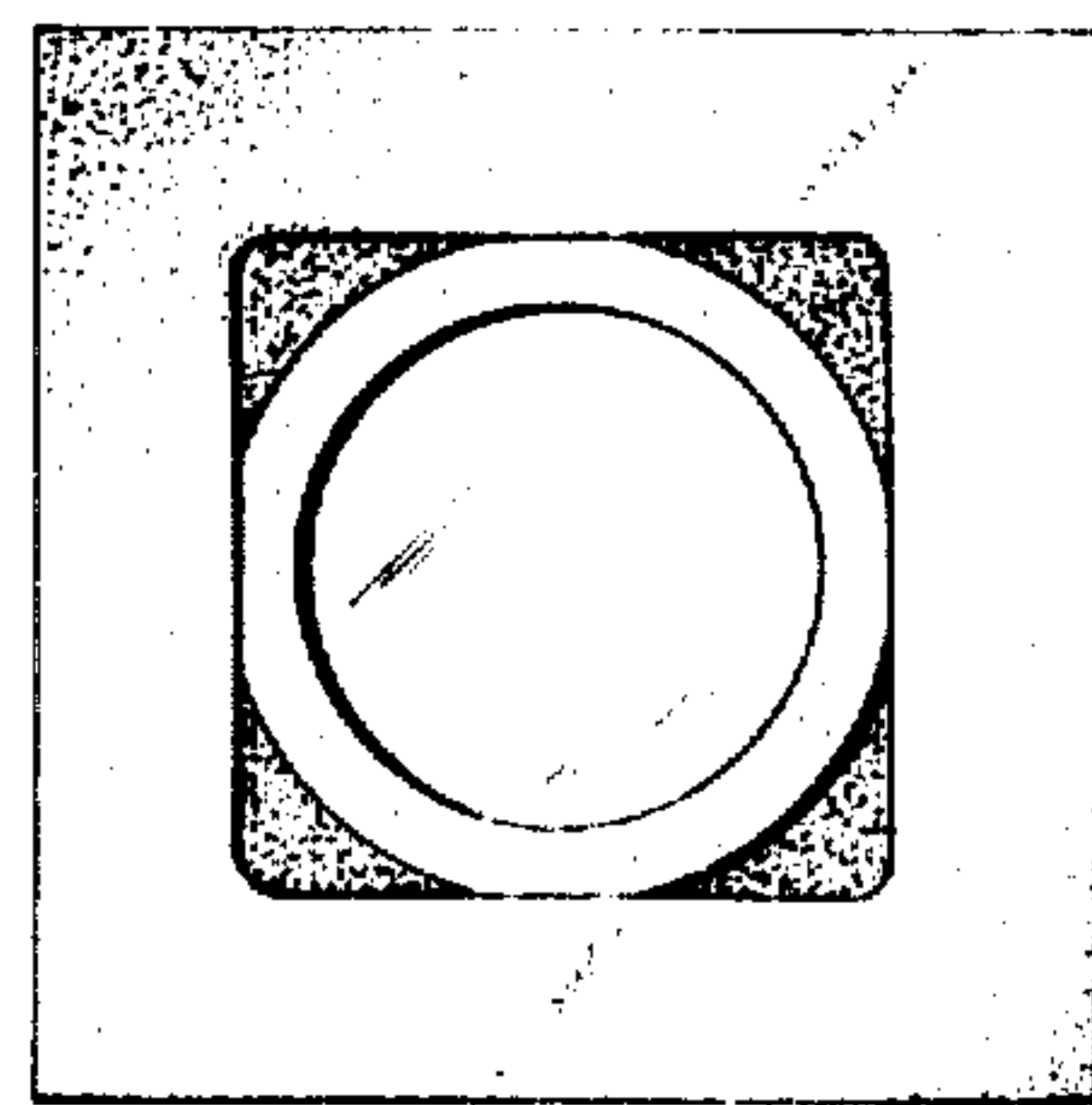


Fig. 5.