

[54] SURVEILLANCE CAMERA HOUSING

[75] Inventor: Edward Kozloski, Babylon Village, N.Y.

[73] Assignee: Vicon Industries, Inc., Plainview, N.Y.

[\*\*] Term: 14 Years

[21] Appl. No.: 325,488

[22] Filed: Nov. 27, 1981

[52] U.S. Cl. .... D16/2; D14/77

[58] Field of Search ..... D16/1, 2, 3-5; 358/229; D26/72, 81; 352/121, 242, 243; 354/288, 170; D14/77-79

[56] References Cited

U.S. PATENT DOCUMENTS

D. 226,032	1/1973	Siesholtz	.....	D16/2
D. 226,453	3/1973	Bundy	.....	D16/2
2,229,721	1/1941	Brandt	.....	D16/2 X
3,535,442	10/1970	Jennings	.....	D16/2 X
3,993,866	11/1976	Pearl	.....	358/229 X
4,027,329	5/1977	Coutta	.....	358/229 X
4,080,629	3/1978	Hammond	.....	358/229
4,160,999	7/1979	Claggett	.....	358/229 X

OTHER PUBLICATIONS

*Lighting Design & Application*-7/81-p. 20-Floodlight at center-left.

*Lighting Design & Application*-8/76-p. 45, Luminaire at top-left.

*Primary Examiner*-Nelson C. Holtje  
*Attorney, Agent, or Firm*-Darby & Darby

[57] CLAIM

The ornamental design for a surveillance camera housing, as shown and described.

DESCRIPTION

FIG. 1 is a front and bottom right perspective view of a surveillance camera housing showing my new design; FIG. 2 is a rear and top right perspective view thereof; FIG. 3 is a front and bottom right perspective view of another embodiment of my new design of FIGS. 1-2; FIG. 4 is a rear and top right perspective view thereof; FIG. 5 is a front and bottom left perspective view of both embodiments as mounted on a ceiling or other flat surface. The broken-line showings are environmental only and form no part of the claimed design.

The characteristic feature of the design illustrated in the drawing resides in the external appearance of the camera housing when it is mounted on a ceiling or other flat surface, as shown in FIG. 5.

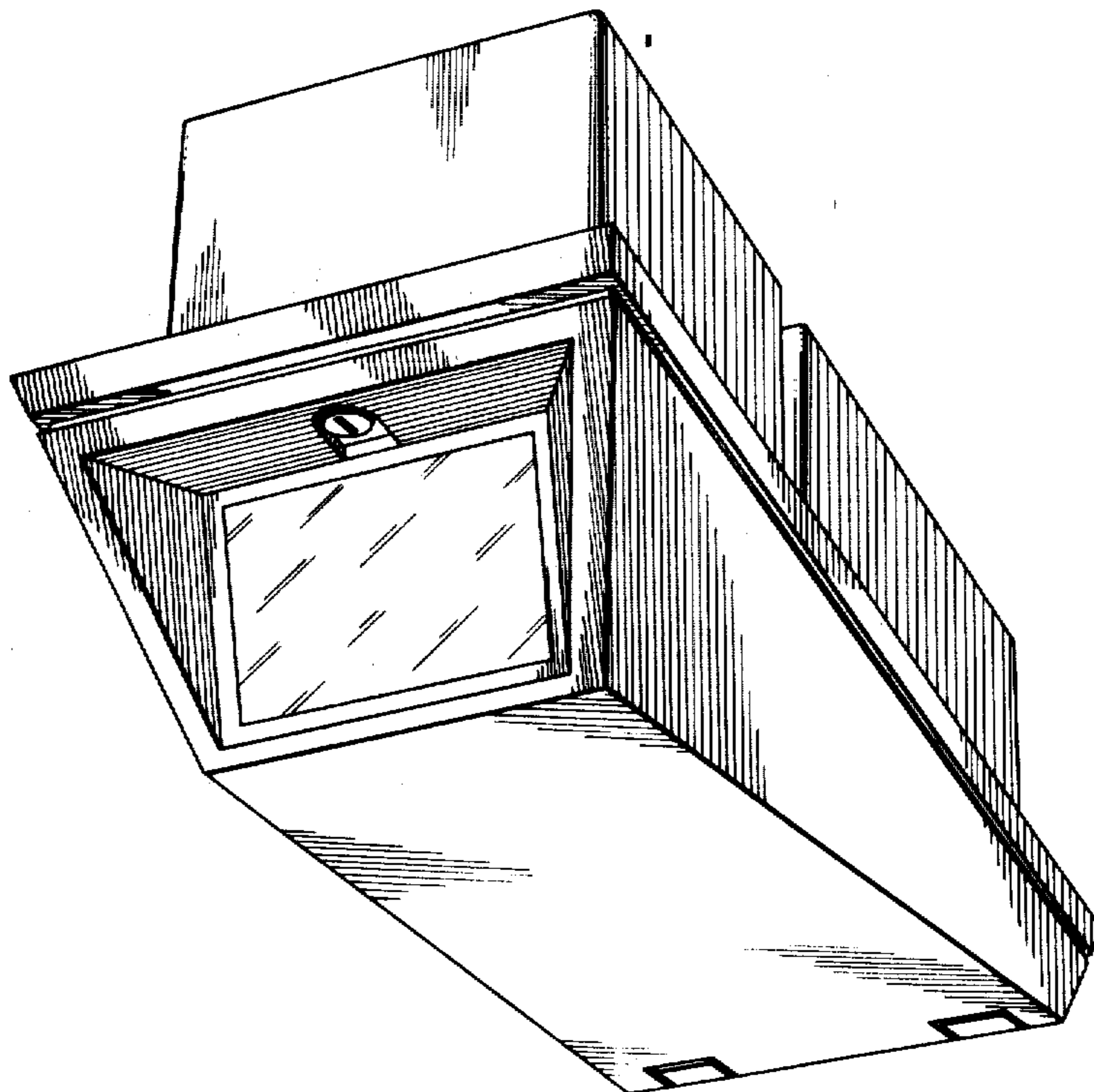


FIG. 5.

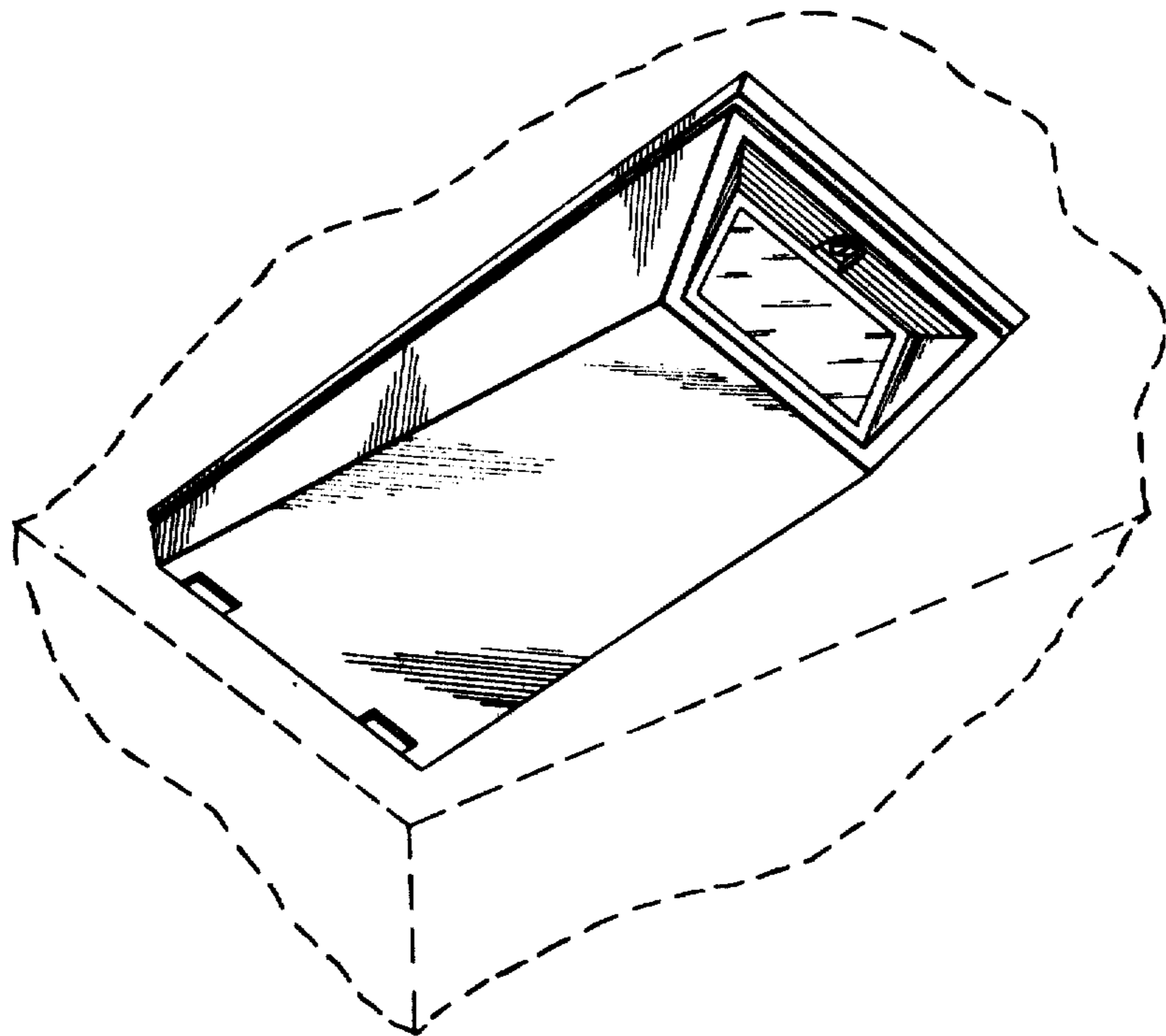


FIG. 1.

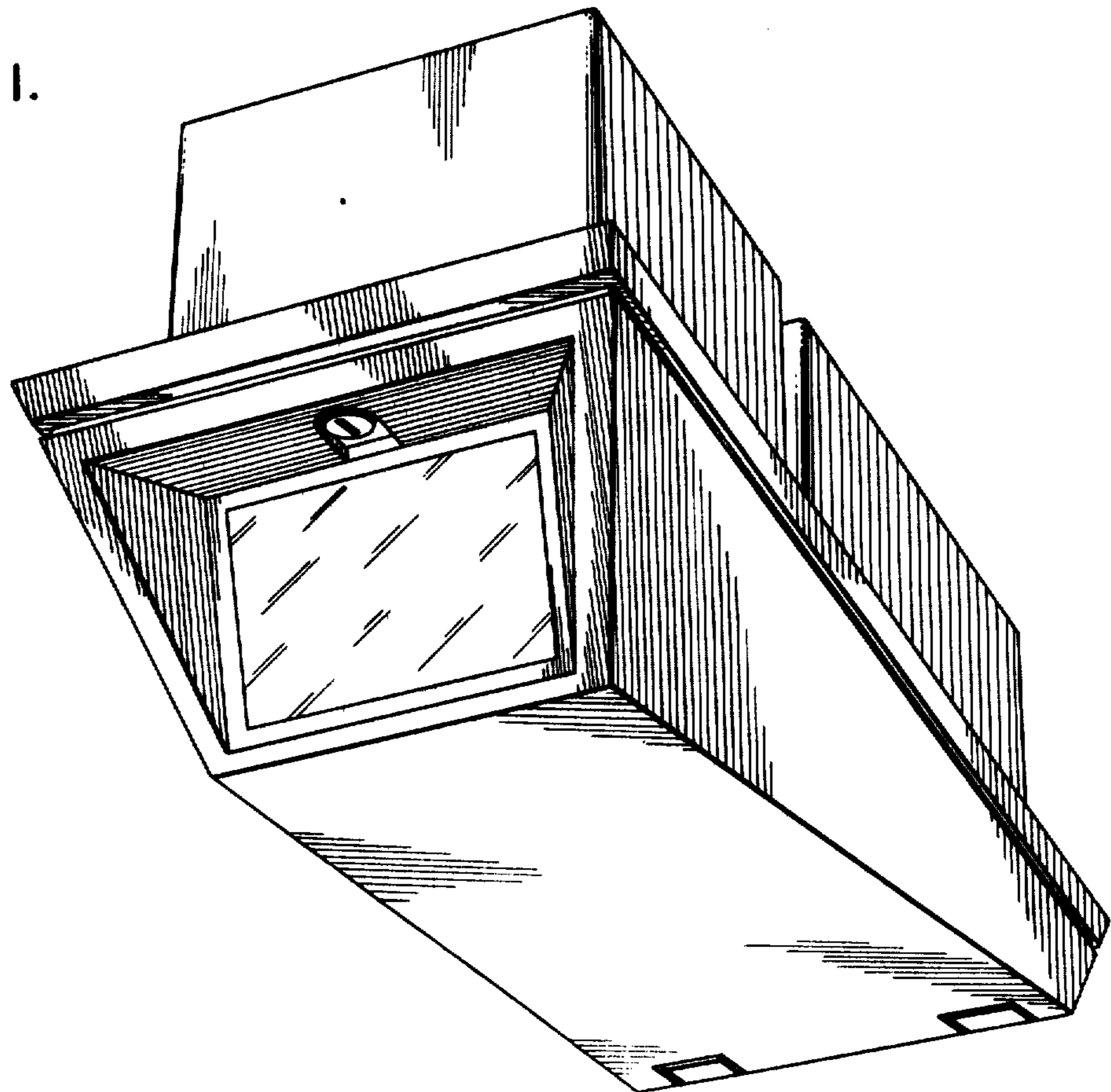


FIG. 2.

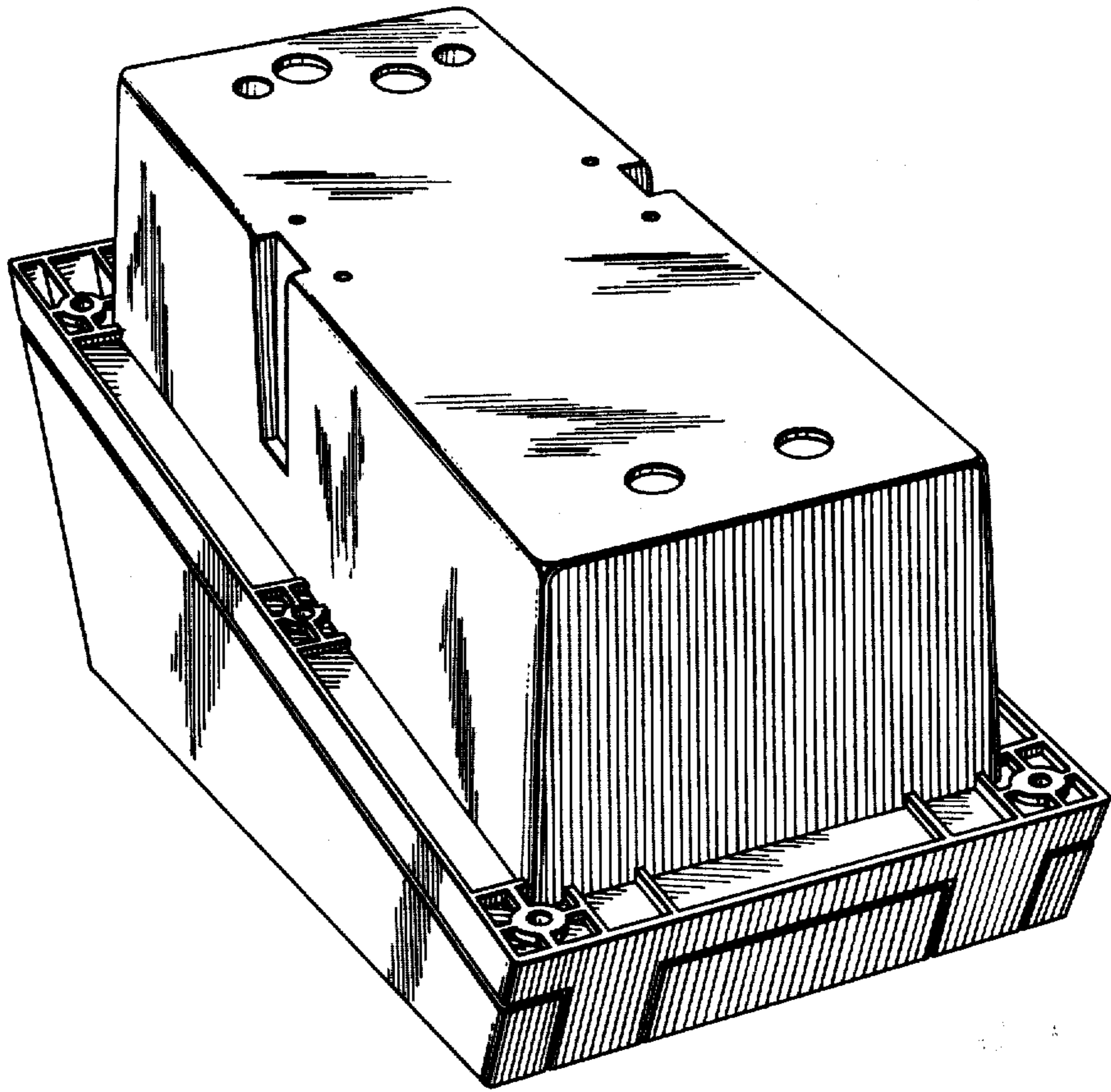


FIG. 3.

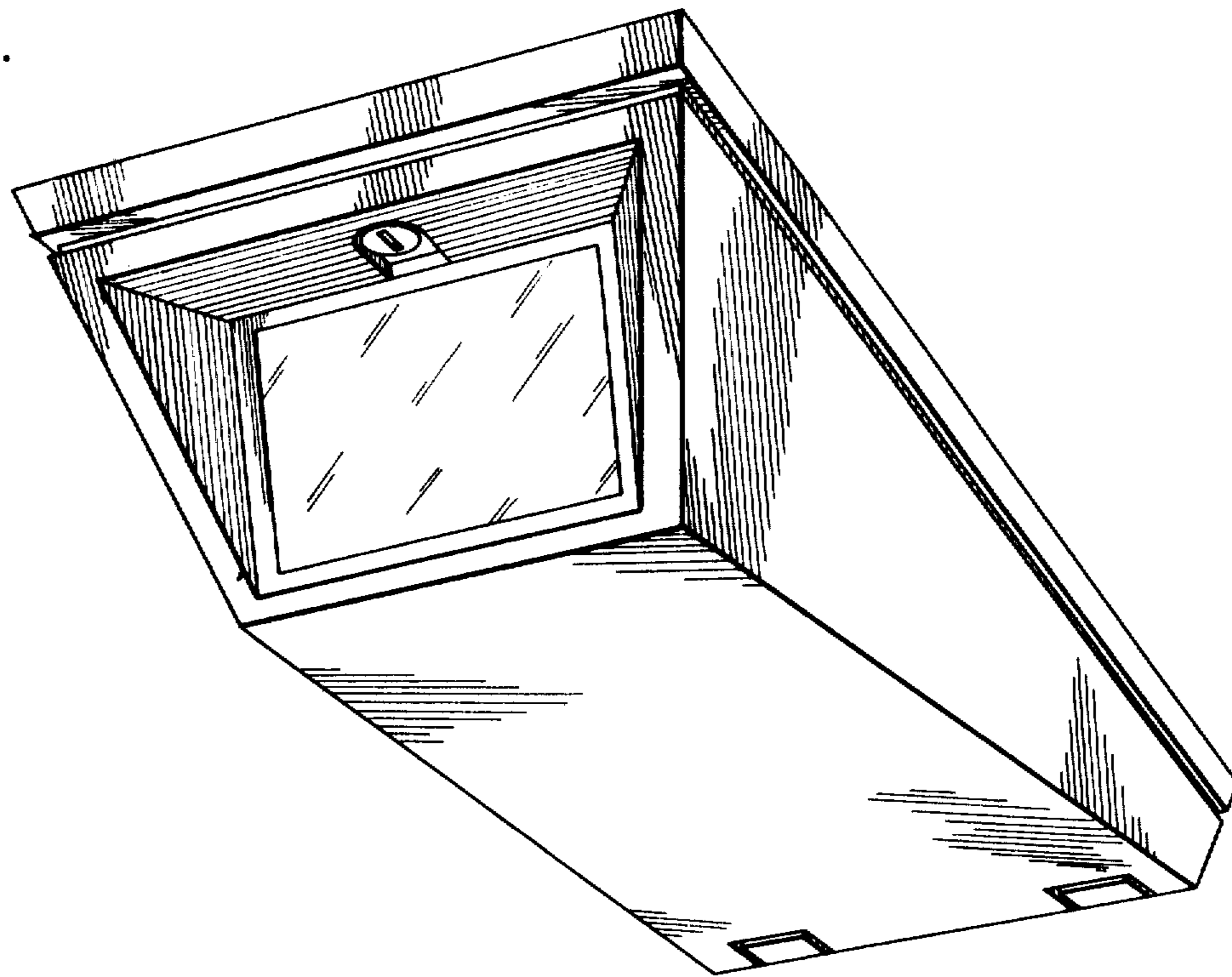
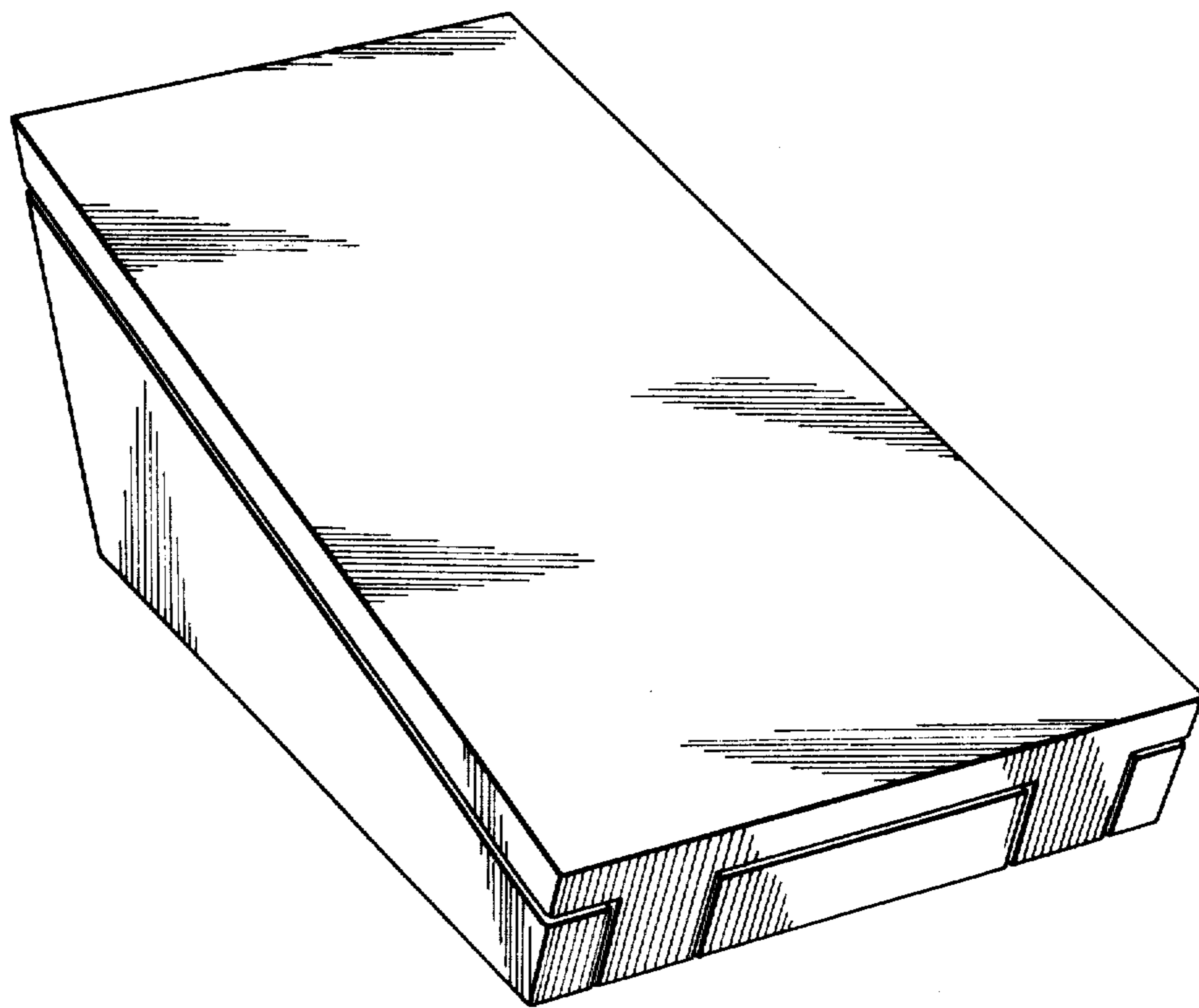


FIG. 4.



# REEXAMINATION CERTIFICATE (1241st)

United States Patent [19]

[11] B1 Des. 273,012

Kozloski

[45] Certificate Issued Apr. 10, 1990

[54] SURVEILLANCE CAMERA HOUSING

[75] Inventor: Edward Kozloski, Babylon Village, N.Y.

[73] Assignee: Vicon Industries, Inc., Plainview, N.Y.

Reexamination Request:  
No. 90/001,597, Sep. 2, 1988

Reexamination Certificate for:  
Patent No.: Des. 273,012  
Issued: Mar. 31, 1984  
Appl. No.: 325,488  
Filed: Nov. 27, 1981

[52] U.S. Cl. .... D16/203; D14/77  
[58] Field of Search ..... D16/203, 225, 232, 235,  
D16/239, 241; D10/104, 106; D26/61, 63, 85,  
72, 74, 88-89; 354/80-81, 170; 353/74, 119;  
352/121, 242-243; 358/108, 229; D14/126,  
128, 134

[56] References Cited  
U.S. PATENT DOCUMENTS

D. 217,613	5/1970	Kahi .....	D10/104 X
D. 226,032	1/1973	Siesholtz .....	D16/203
D. 226,453	3/1973	Bundy .....	D16/203
2,229,721	1/1941	Brandt .....	D16/203 X
3,535,442	10/1970	Jennings .....	D16/203 X
3,993,866	11/1976	Pearl .....	358/229 X

4,027,329	5/1977	Coutta .....	358/229 X
4,080,629	3/1978	Hammond .....	358/229
4,160,999	7/1979	Claggett .....	358/229 X
4,618,886	10/1986	Mooney .....	358/108

### OTHER PUBLICATIONS

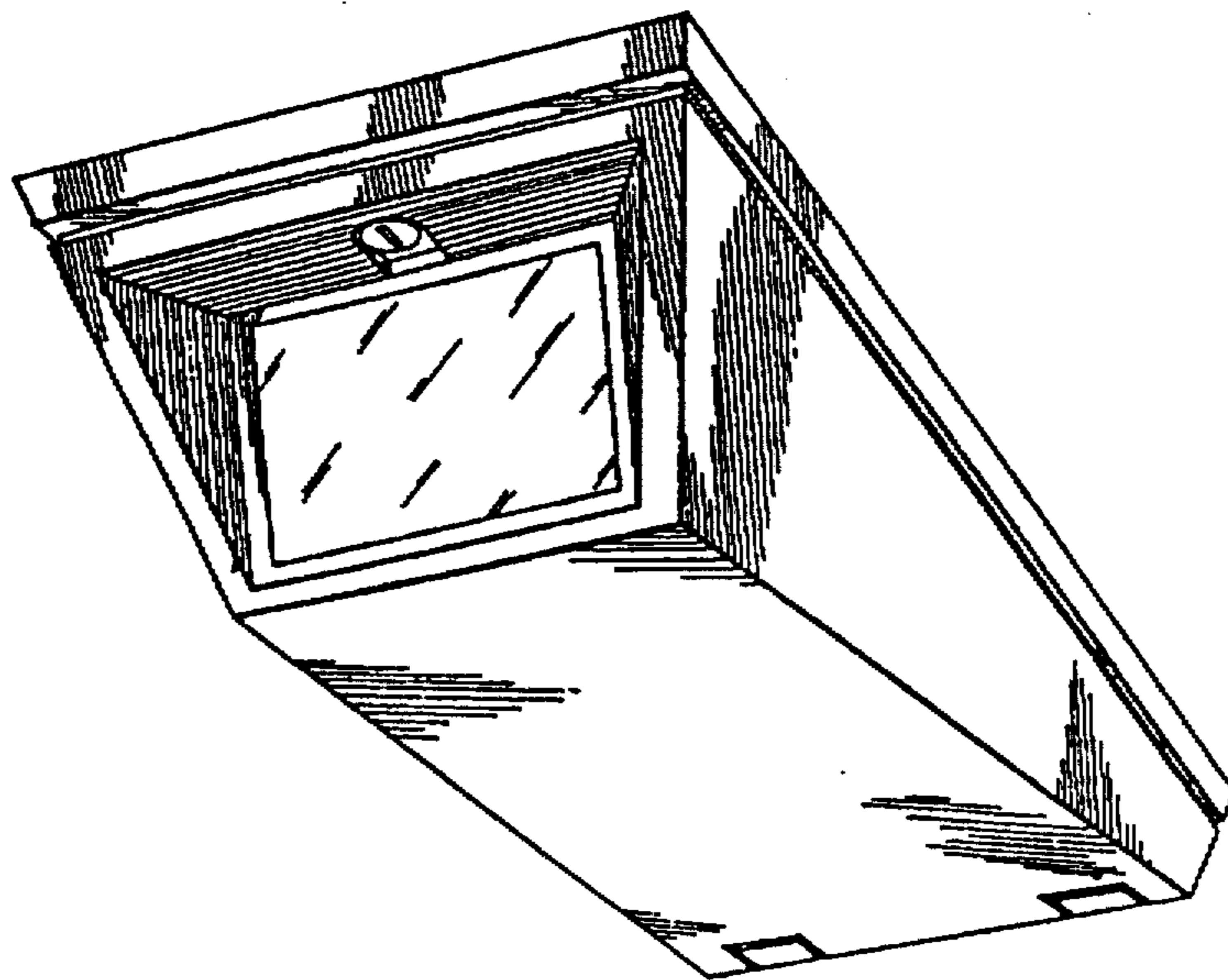
*Lighting Design & Application*-7/81-p. 20-Floodlight at center left.  
*Lighting Design & Application*-8/76-p. 45-Luminaire at top-left.  
*E.R.L. Electronic Products, Inc.*-Circa 1975-Sheet #10-Surveillance Camera Housing Model C.EC.-2--copy by applicant.  
*ERL Electronic Products, Inc.*, Advertising literature of Model's CEC-1 and 2; manufactured and sold as early as 1965.

*Primary Examiner*-Nelson C. Holtje

### [57] CLAIM

### DESCRIPTION

FIG. 1 is a front perspective view of a battery cart showing my new design;  
FIG. 2 is a left side elevational view thereof, the right side elevational view being a mirror image of that shown;  
FIG. 3 is a front elevational view thereof;  
FIG. 4 is a rear elevational view thereof;  
FIG. 5 is a top plan view thereof; and  
FIG. 6 is a bottom plan view thereof.



1

**REEXAMINATION CERTIFICATE  
ISSUED UNDER 35 U.S.C. 307**

**NO AMENDMENTS HAVE BEEN MADE TO  
THE PATENT**

**AS A RESULT OF REEXAMINATION, IT HAS  
BEEN DETERMINED THAT:**

5 The patentability of the claim is confirmed.

\* \* \* \* \*

10

15

20

25

30

35

40

45

50

55

60

65