

[54] PORTABLE AIR COMPRESSOR

4,077,747 3/1978 Burenga 417/234

[76] Inventor: Wayne C. Dudley, Parkersburg, Iowa 50665

Primary Examiner—Wallace R. Burke
Assistant Examiner—Lynn Wilder
Attorney, Agent, or Firm—G. Brian Pingel

[**] Term: 14 Years

[57] CLAIM

[21] Appl. No.: 259,831

The ornamental design for a portable air compressor, substantially as shown.

[22] Filed: Jul. 15, 1981

[52] U.S. Cl. D15/9

[58] Field of Search D15/7, 9; 417/231, 233, 417/234, 226; 222/176, 178

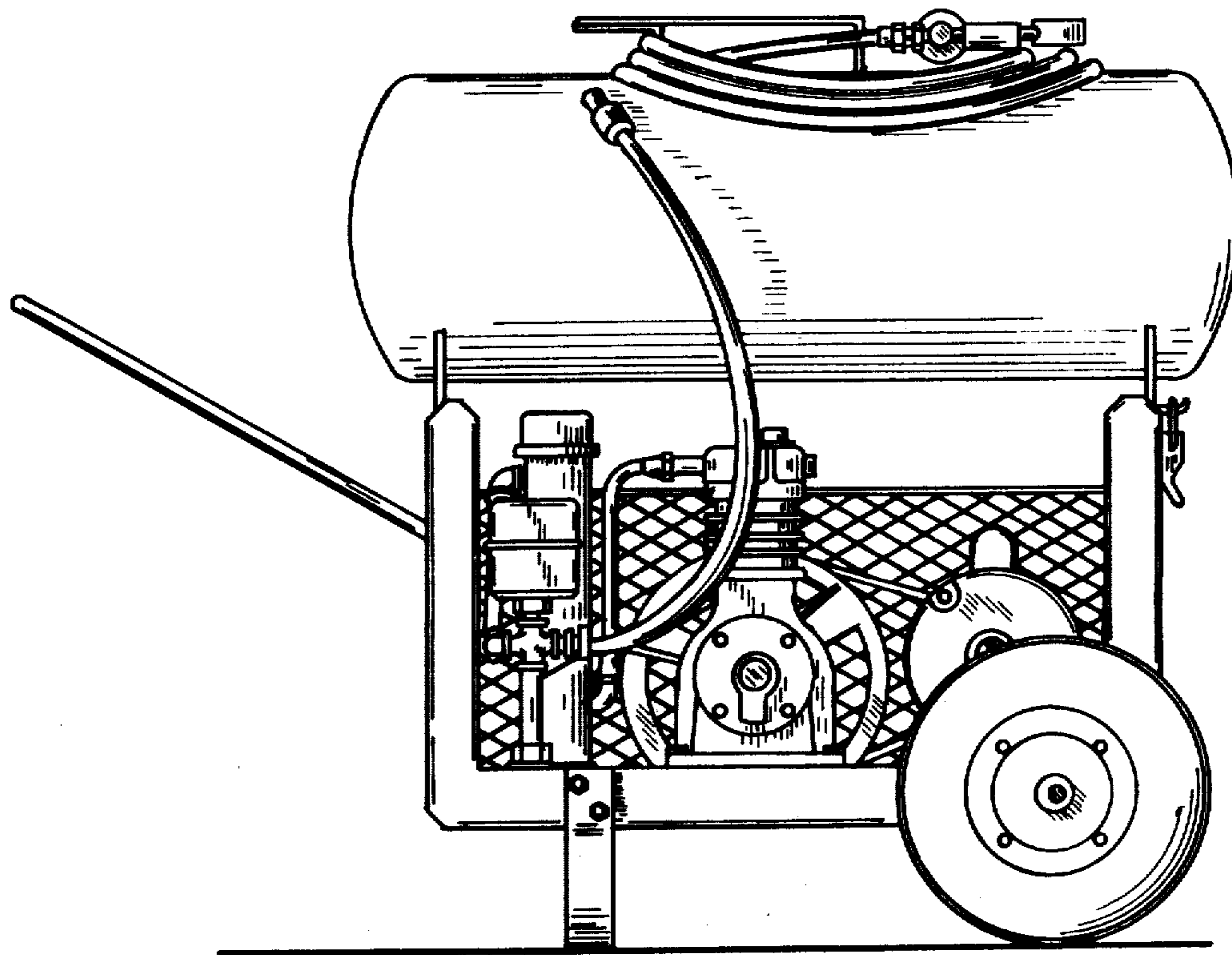
DESCRIPTION

[56] References Cited

U.S. PATENT DOCUMENTS

D. 243,282	2/1977	Burenga	D15/9
D. 249,265	9/1978	Manjo	D15/9
1,846,655	2/1932	Rayfield	D15/9

FIG. 1 is a side view in elevation of a portable air compressor showing my new design; FIG. 2 is an opposite side view thereof; FIG. 3 is a plan view thereof; FIG. 4 is a bottom view thereof; FIG. 5 is a front view in elevation thereof; and FIG. 6 is a rear view in elevation thereof.



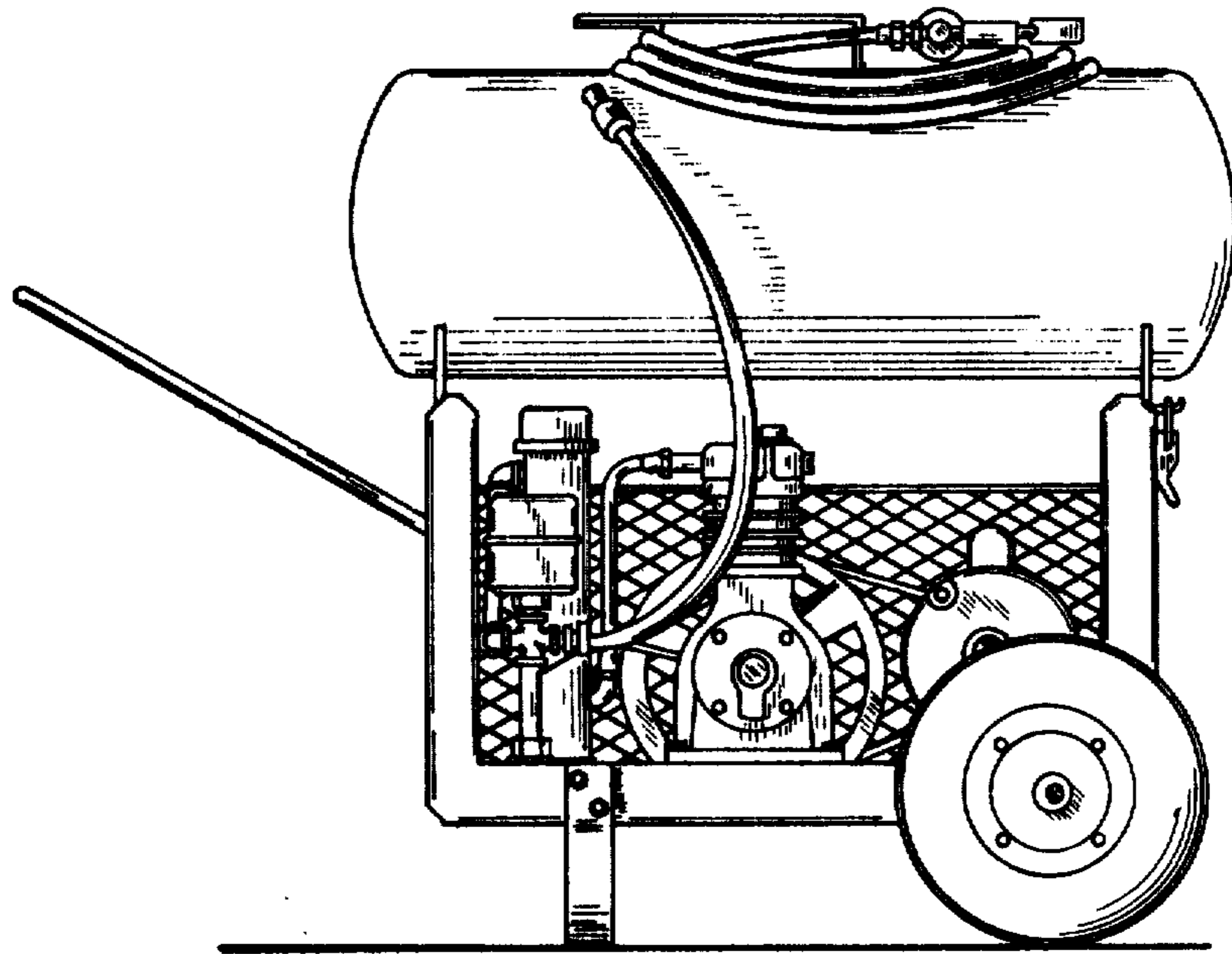


FIG. 1

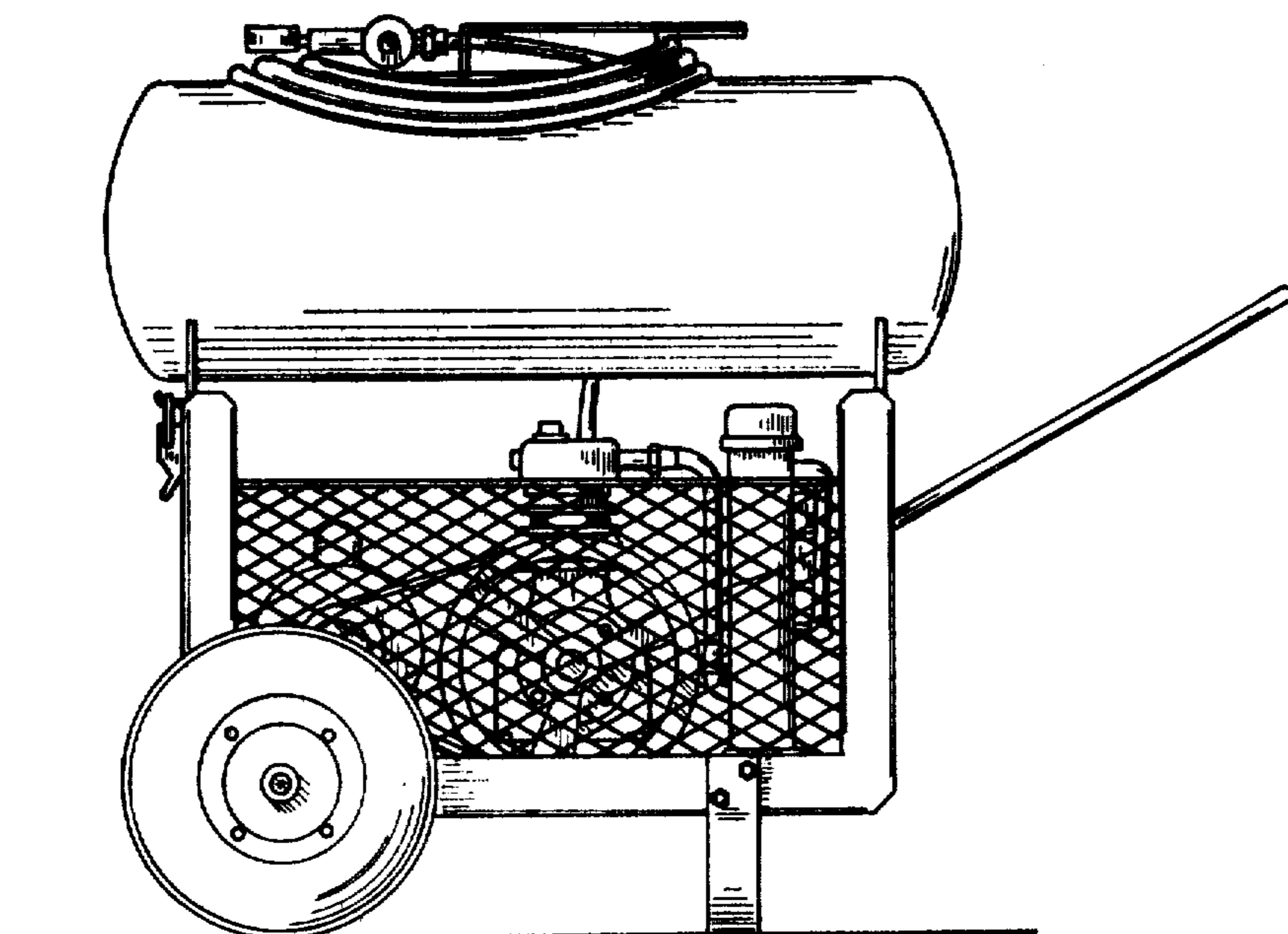


FIG. 2

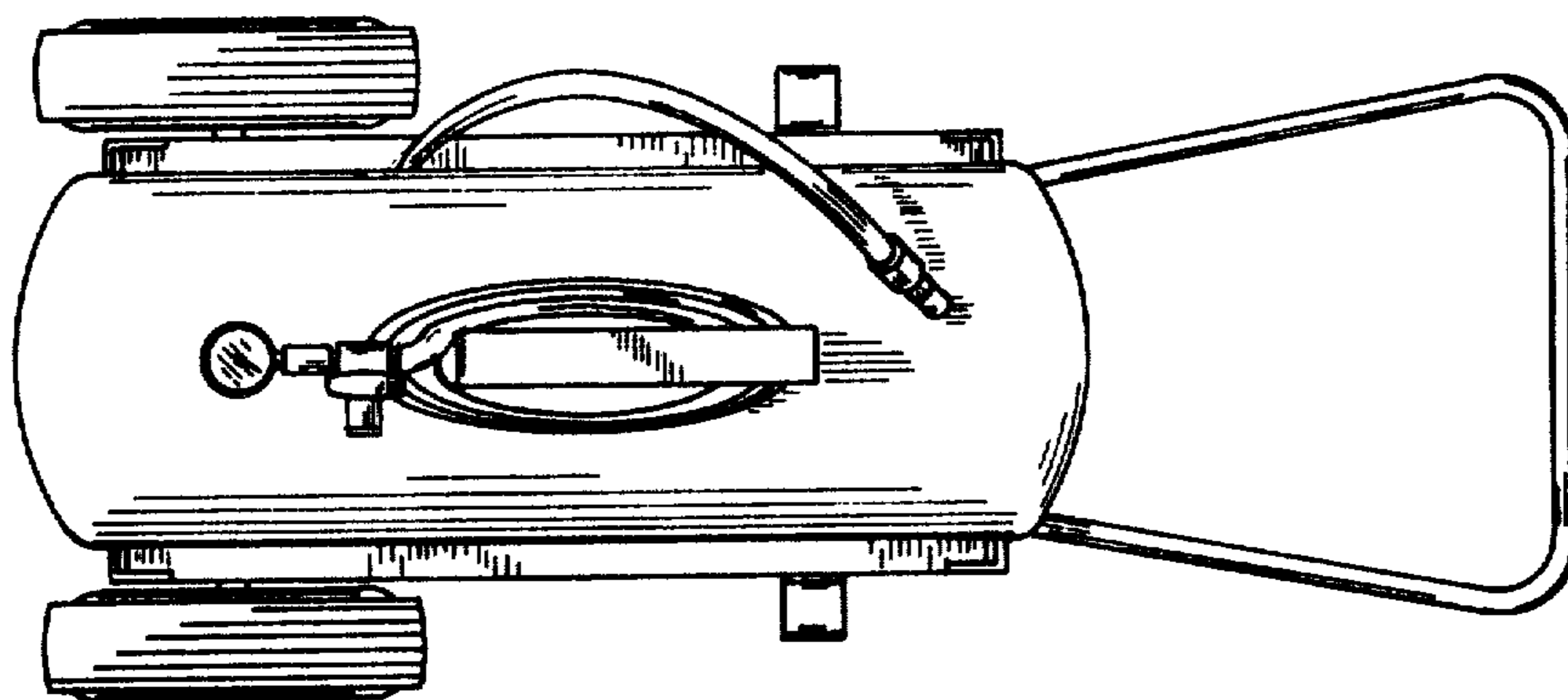


FIG. 3

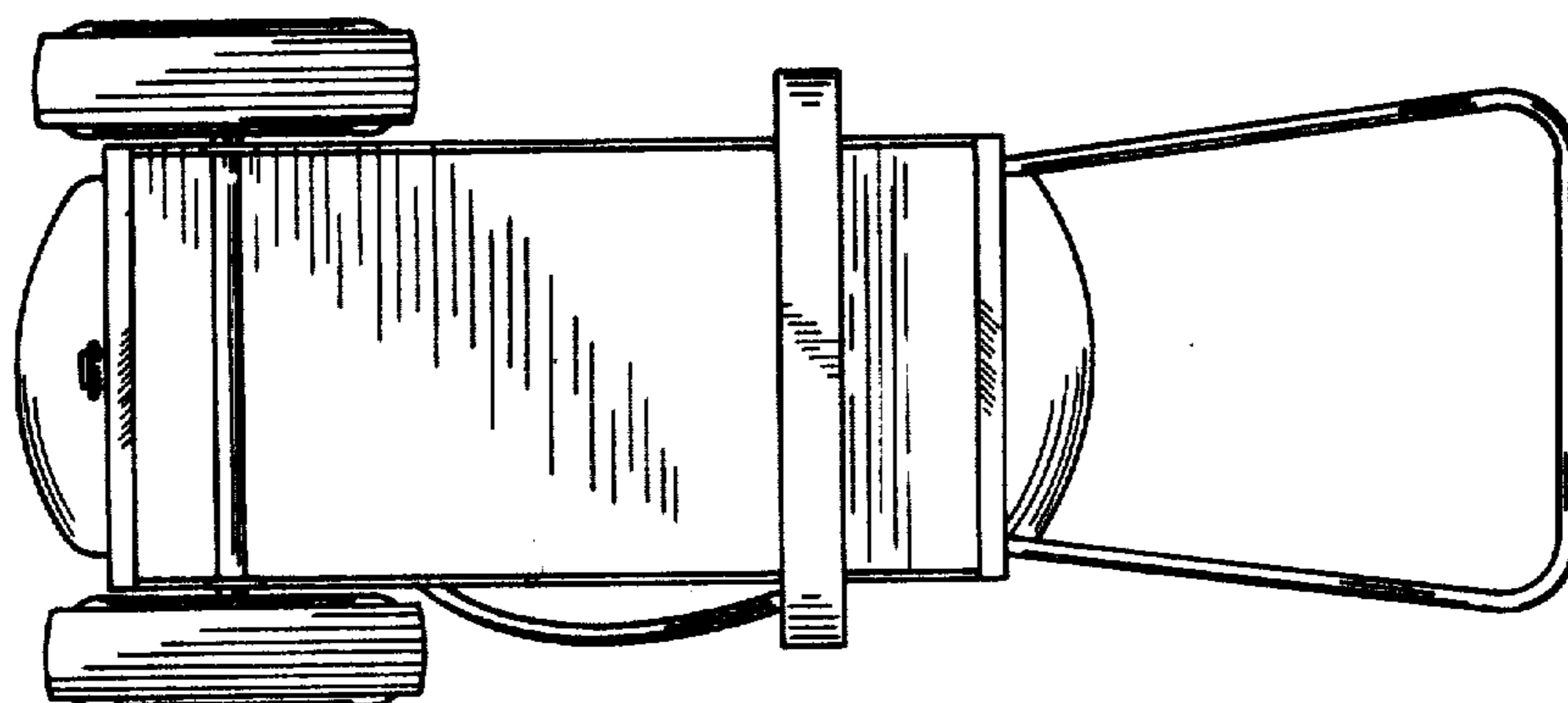


FIG. 4

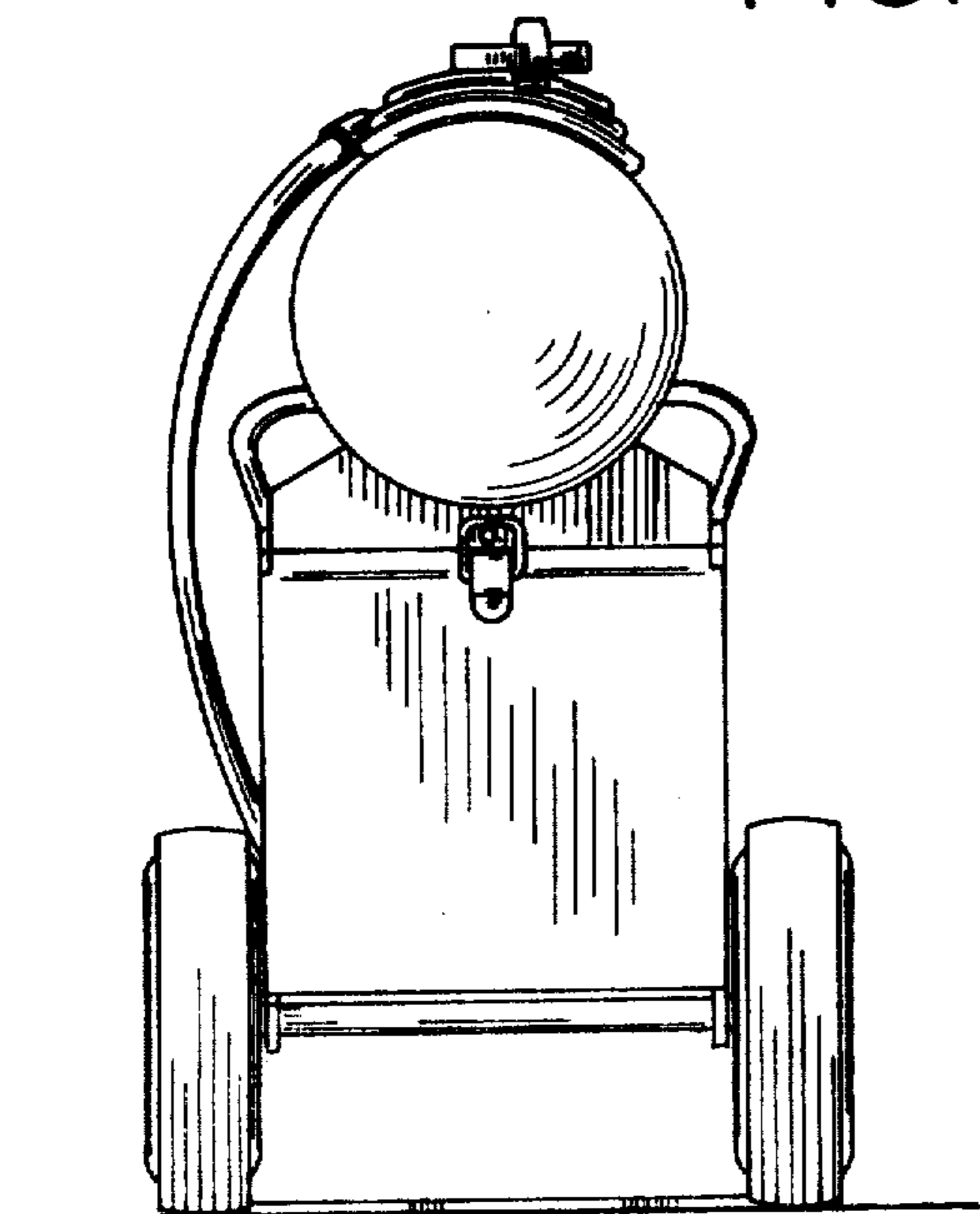


FIG. 5

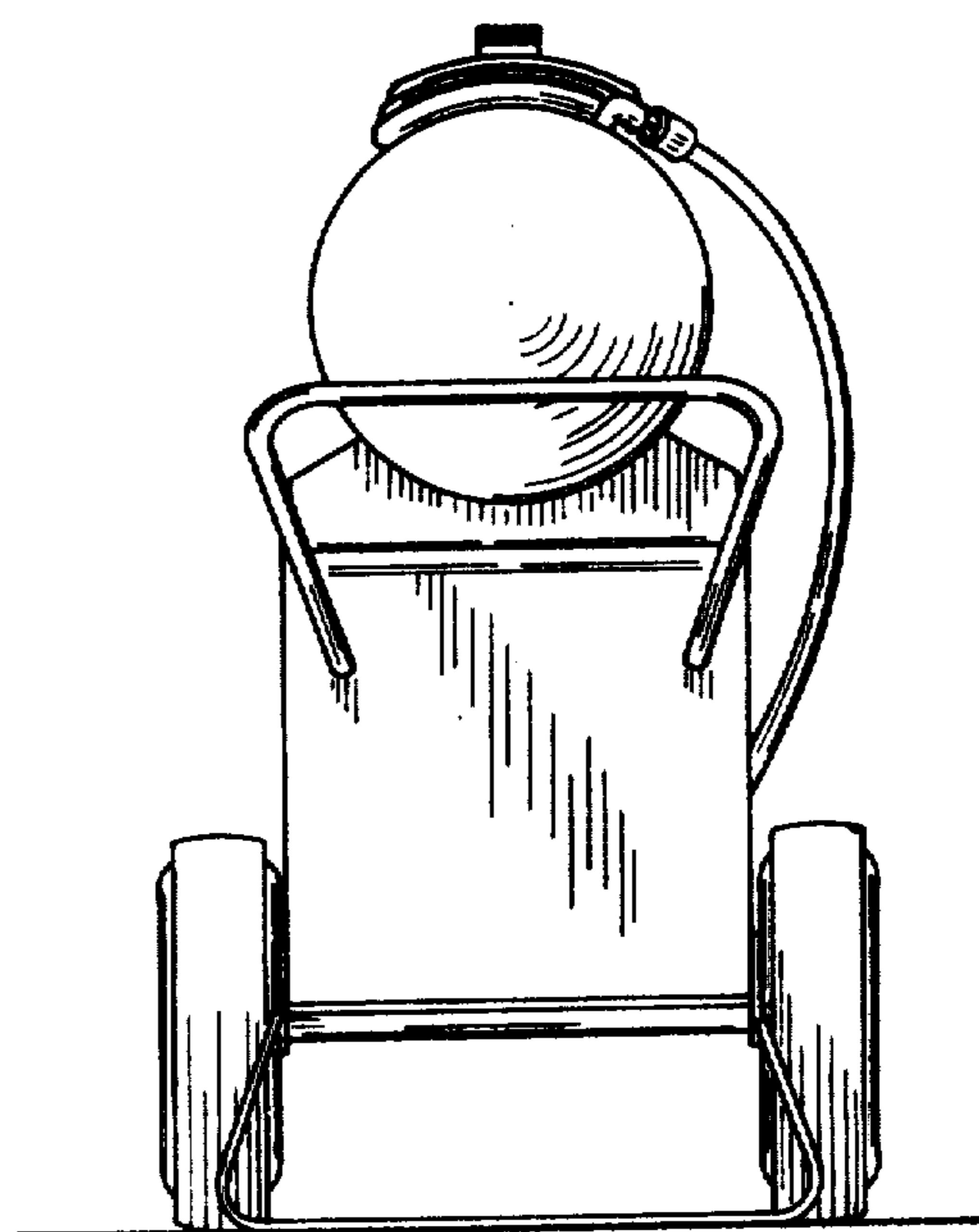


FIG. 6