

- [54] TACTILE ALERTING BRACELET
- [75] Inventor: Robert B. Isaacs, Ottawa, Canada
- [73] Assignee: Northern Telecom Limited, Montreal, Canada
- [**] Term: 14 Years
- [21] Appl. No.: 347,231
- [22] Filed: Feb. 8, 1982
- [52] U.S. Cl. D14/52; D11/2; D24/8; D24/17
- [58] Field of Search D11/1-5, D11/9, 10, 27, 86; D24/8, 17; 63/1-11, 15; 128/796, 802; 340/407; D14/52

- [56] **References Cited**
- U.S. PATENT DOCUMENTS
- D. 209,673 12/1967 Saunders D14/52

D. 264,845	6/1982	Hellwig	D24/8 X
2,582,277	1/1952	Powlison	340/407
2,764,640	9/1956	Osserman et al.	340/407 X
4,237,449	12/1980	Zibell	340/407

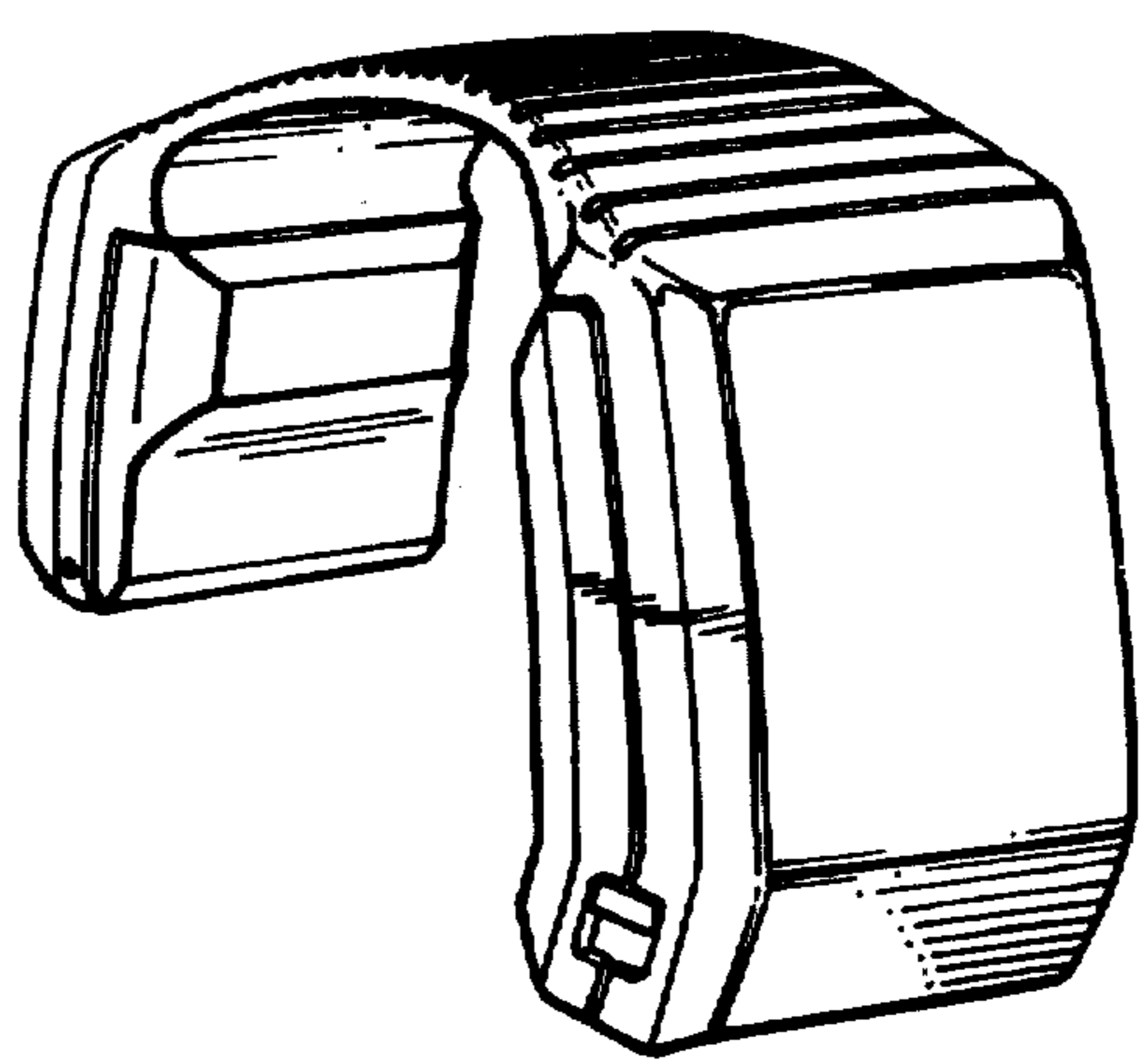
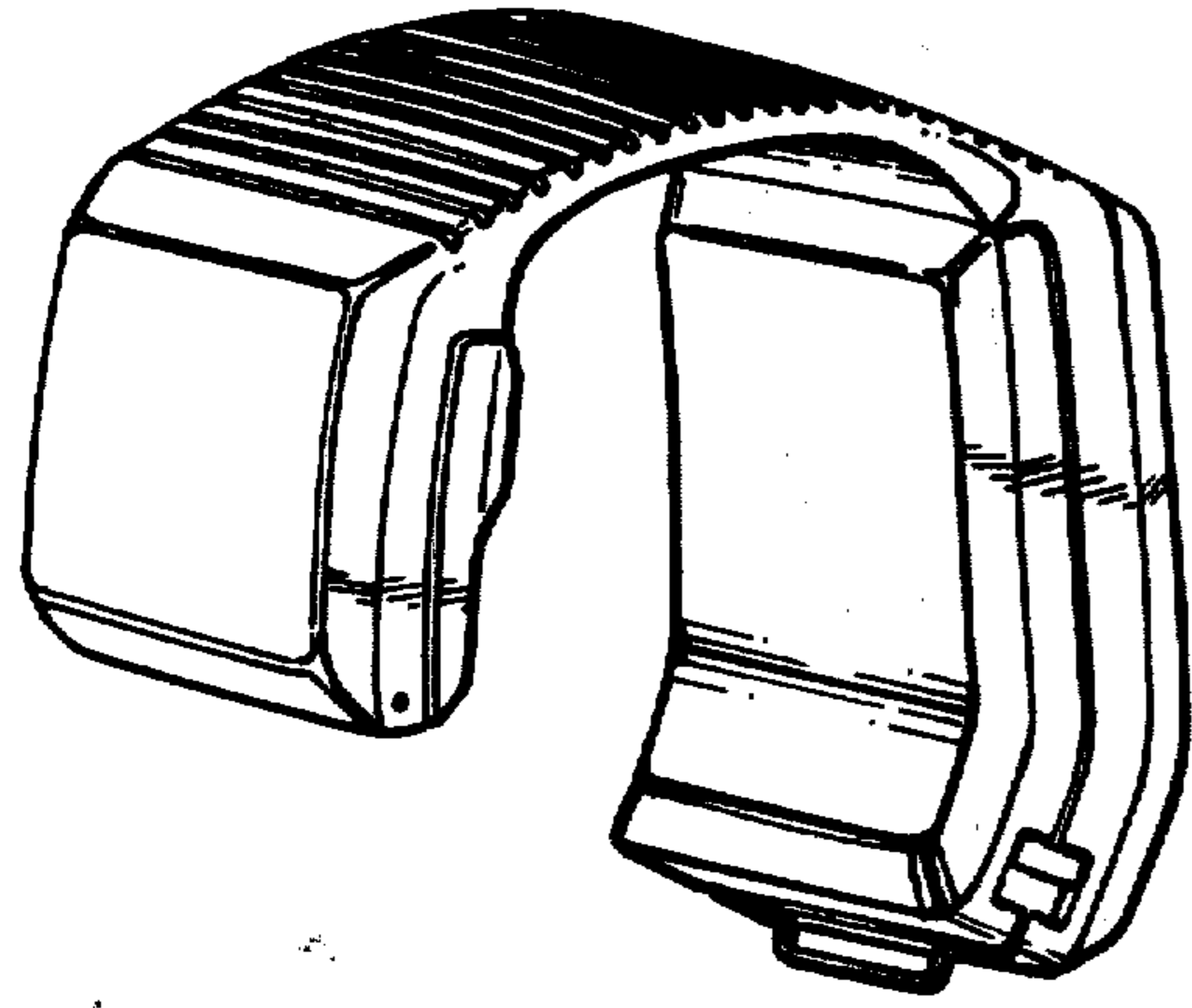
Primary Examiner—Louis S. Zarfaz
 Attorney, Agent, or Firm—Stuart L. Wilkinson

[57] **CLAIM**

The ornamental design for a tactile alerting bracelet, substantially as shown and described.

DESCRIPTION

FIG. 1 is a front, left perspective view of a tactile alerting bracelet showing my new design;
 FIG. 2 is a front, right perspective view thereof;
 FIG. 3 is a front elevational view thereof;
 FIG. 4 is a right side elevational view of FIG. 3;
 FIG. 5 is a top plan view thereof;
 FIG. 6 is a bottom plan view thereof;
 FIG. 7 is a rear elevational view thereof.



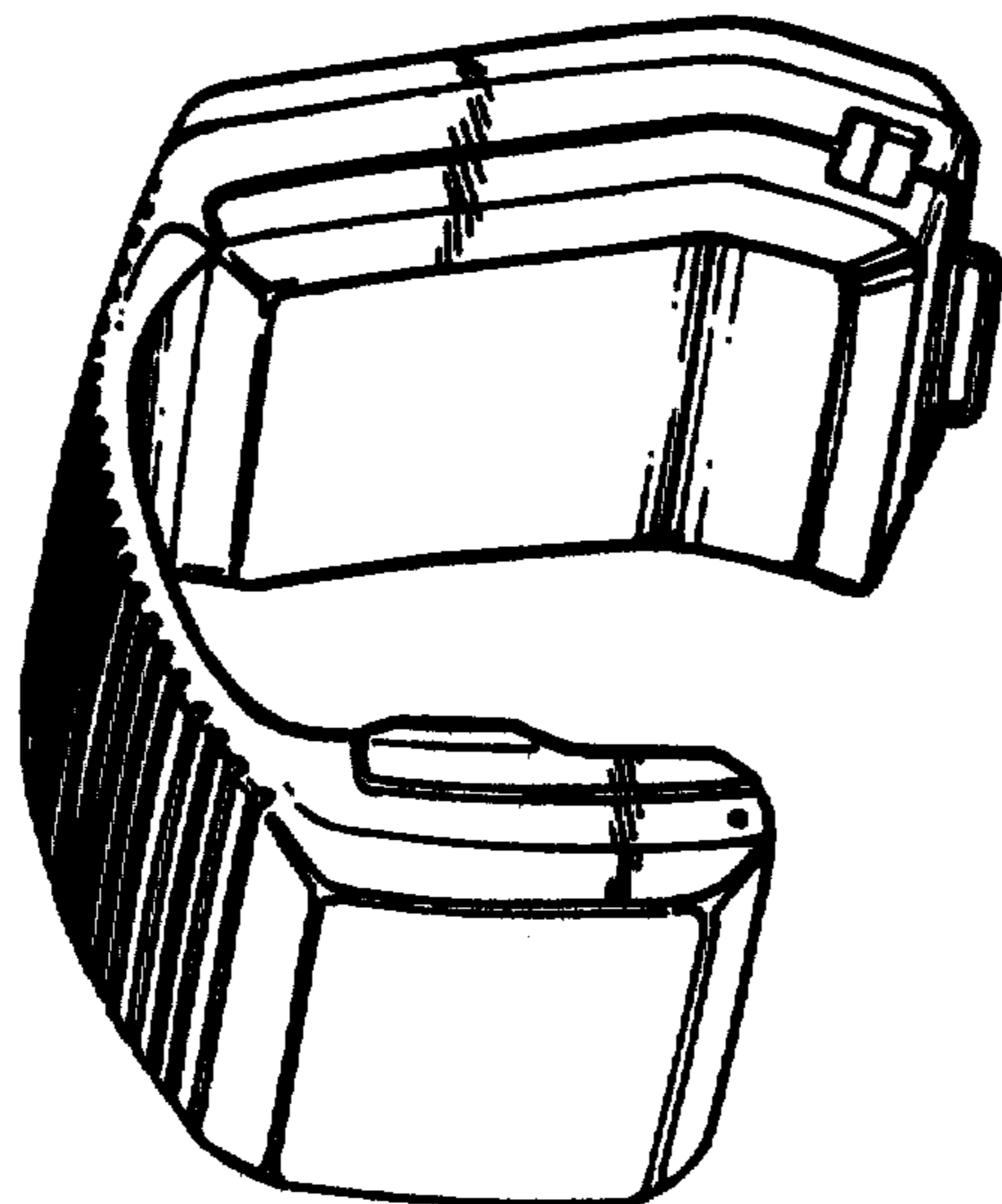


FIG. 1

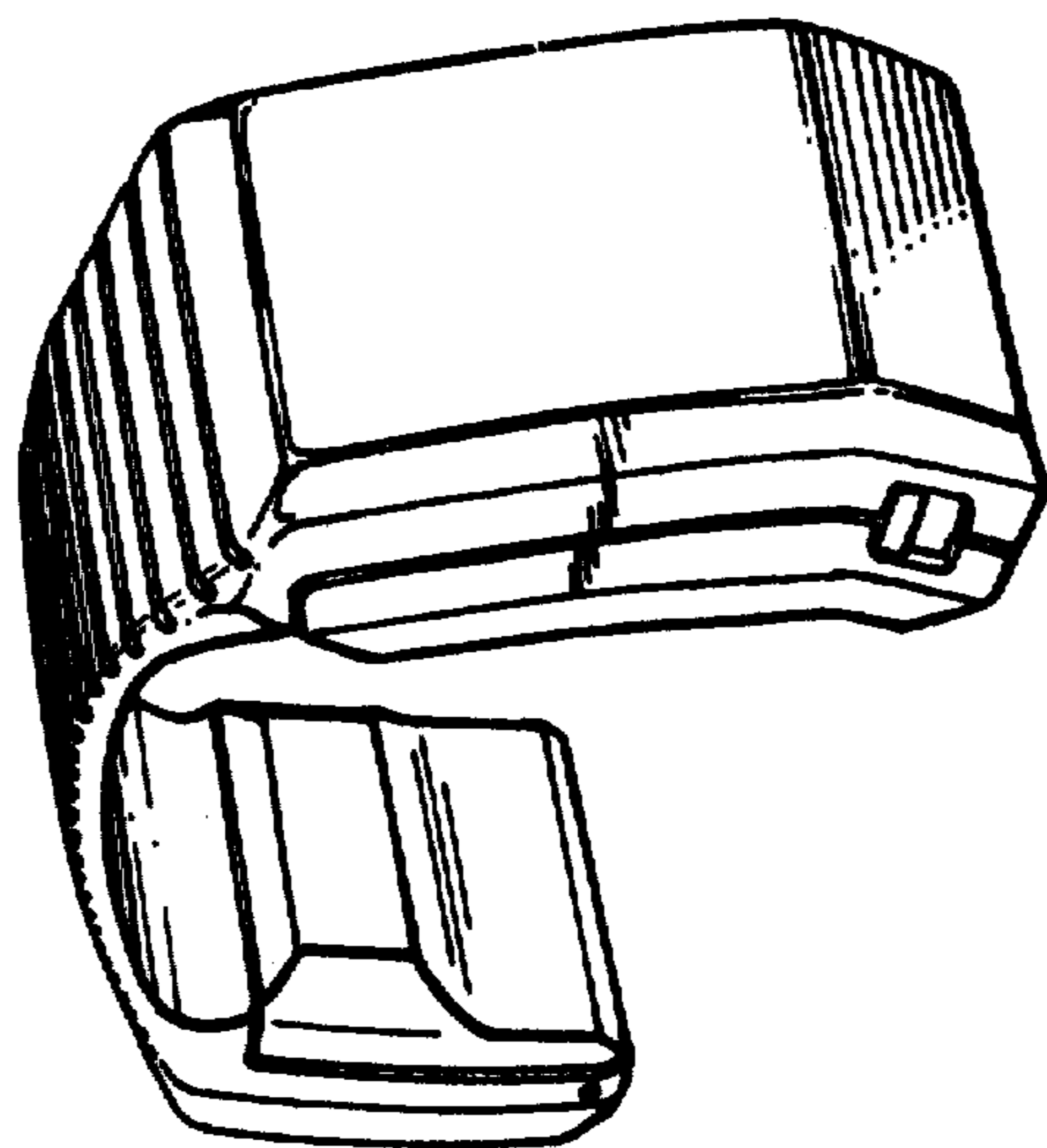


FIG. 2

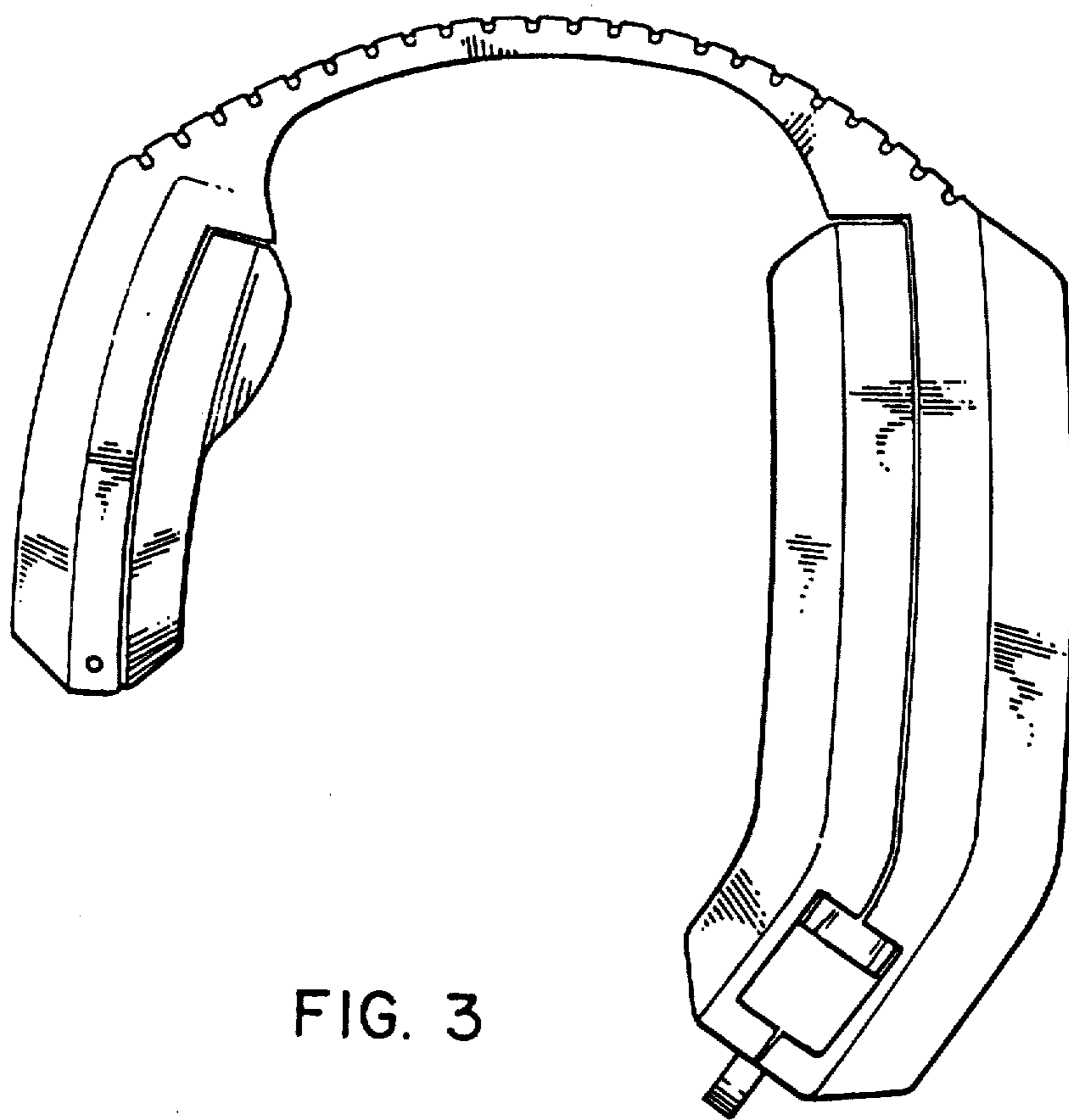


FIG. 3

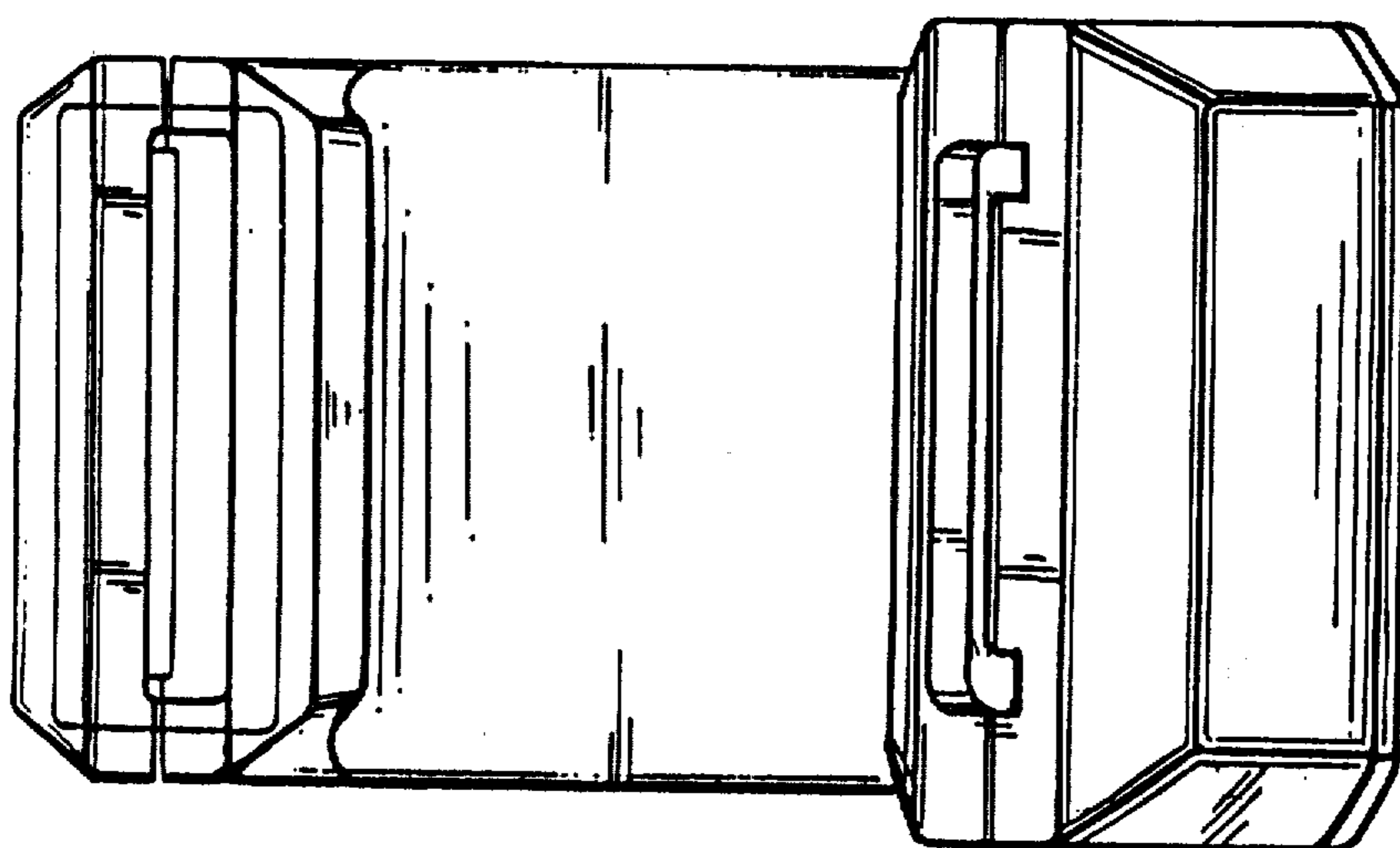


FIG. 6

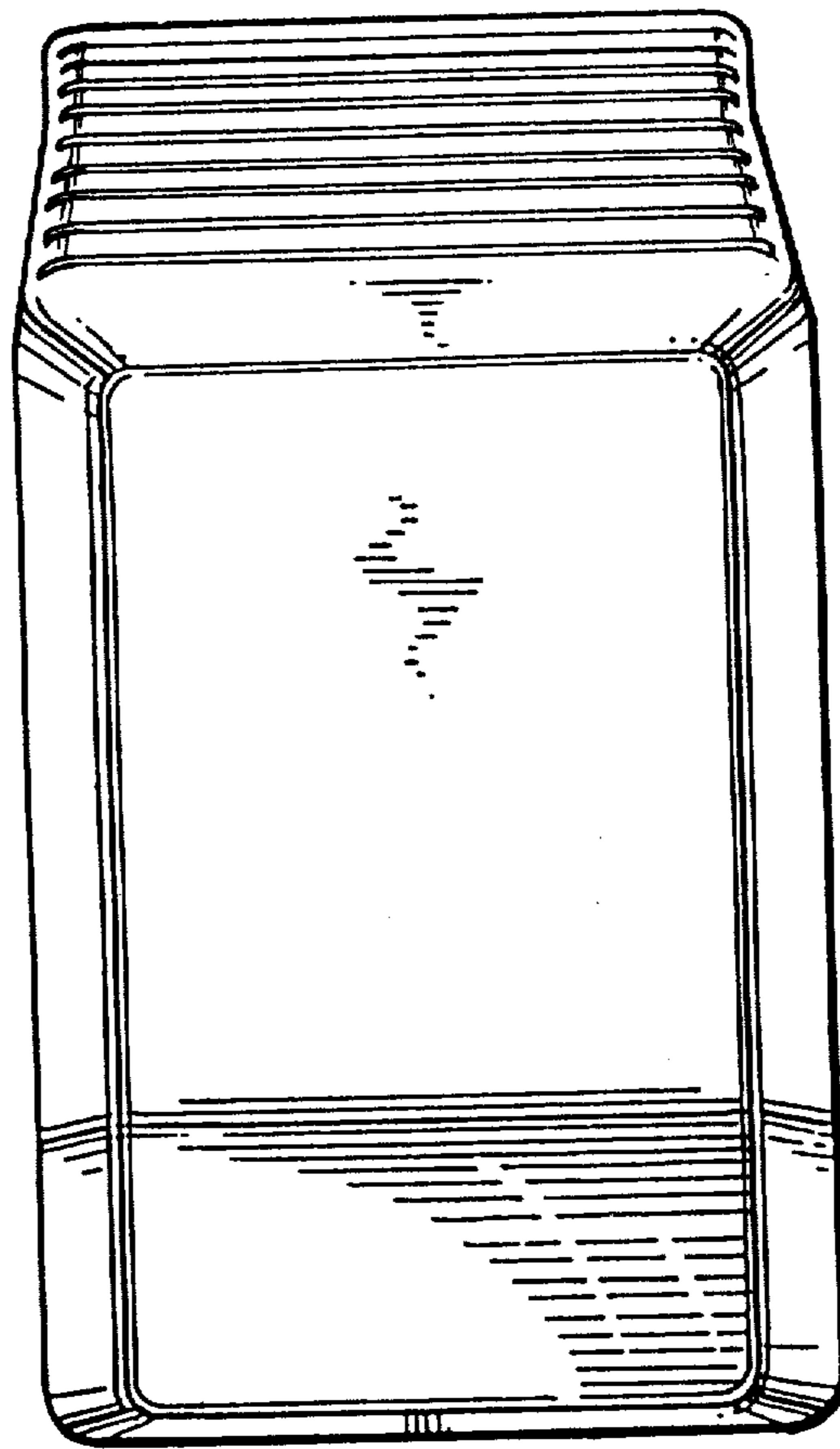


FIG. 4

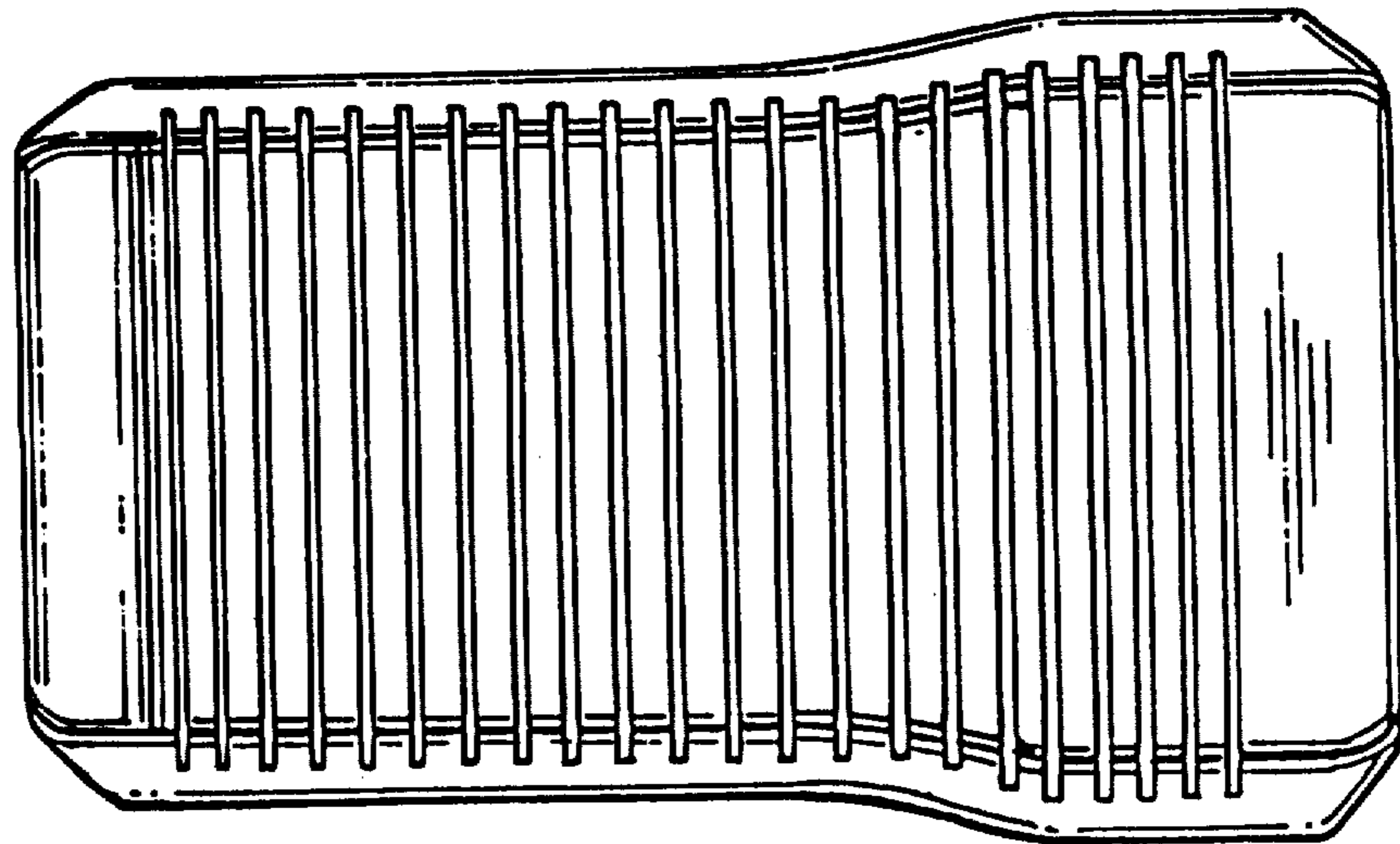


FIG. 5

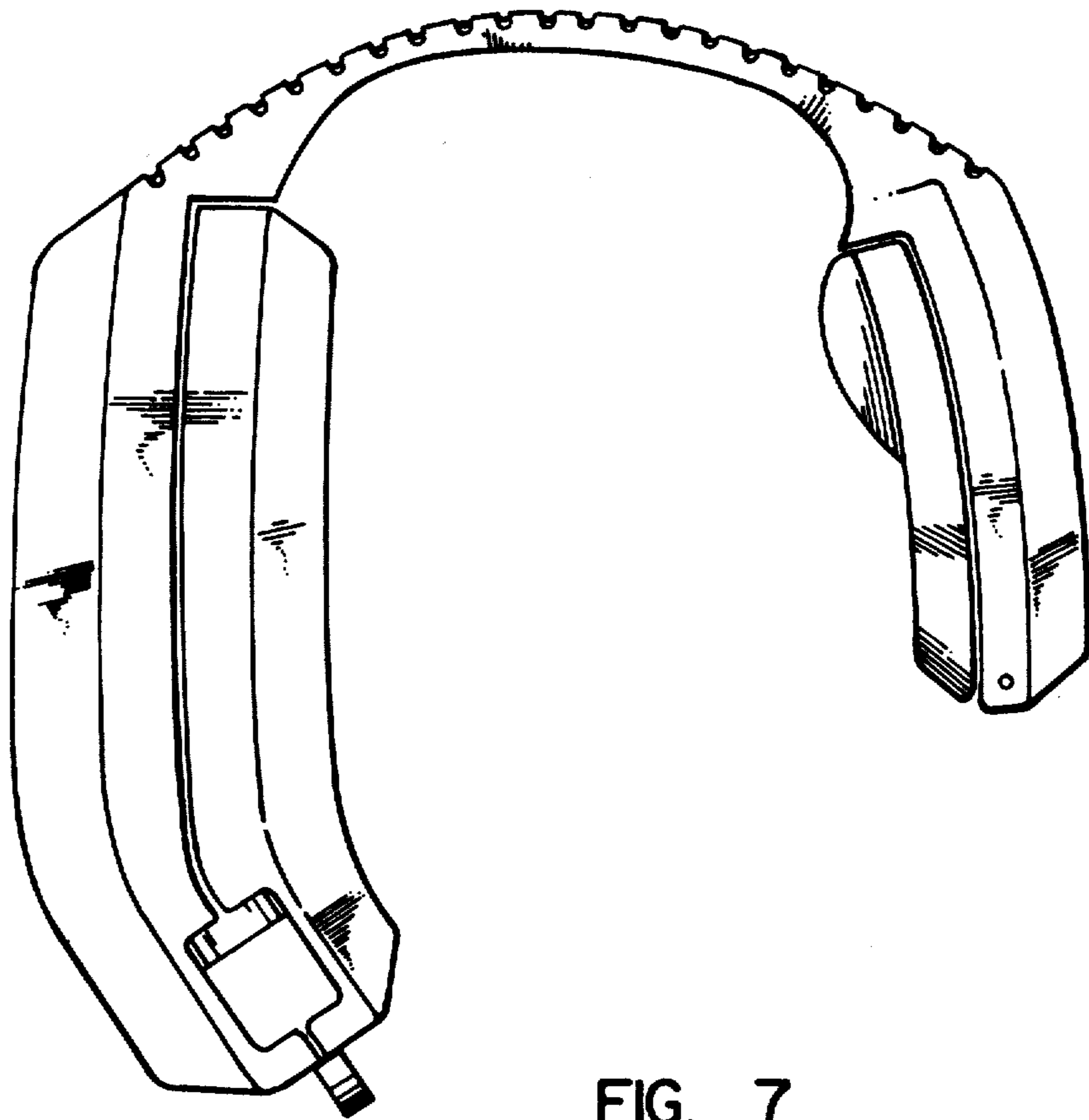


FIG. 7