

[54] **SPEAKER**

[75] Inventor: **Hideaki Ishizaki, Tokyo, Japan**

[73] Assignee: **Pioneer Electronic Corporation, Tokyo, Japan**

[**] Term: **14 Years**

[21] Appl. No.: **305,243**

[22] Filed: **Sep. 24, 1981**

[30] **Foreign Application Priority Data**
 Apr. 1, 1981 [JP] Japan 56-13708[U]

[52] U.S. Cl. **D14/30**

[58] Field of Search **D14/30, 32-34, D14/37, 39, 4; 179/115.5 PS; 181/150**

[56] **References Cited**
U.S. PATENT DOCUMENTS
 D. 254,130 2/1980 Iijima D14/30

D. 254,252 2/1980 Matsubara D14/30
 D. 254,490 3/1980 Matsubara D14/30
 D. 264,208 5/1982 Matsubara D14/30
 D. 264,209 5/1982 Ishizaki D14/30

Primary Examiner—Jane E. Corrigan
Attorney, Agent, or Firm—Sughrue, Mion, Zinn, Macpeak and Seas

[57] **CLAIM**

The ornamental design for a speaker, as shown.

DESCRIPTION

FIG. 1 is a front elevational view of a speaker showing my new design;
 FIG. 2 is a rear elevational view;
 FIG. 3 is a top plan view;
 FIG. 4 is a bottom plan view;
 FIG. 5 is a right side elevational view;
 FIG. 6 is a left side elevational view; and
 FIG. 7 is a front, bottom and left side perspective view.

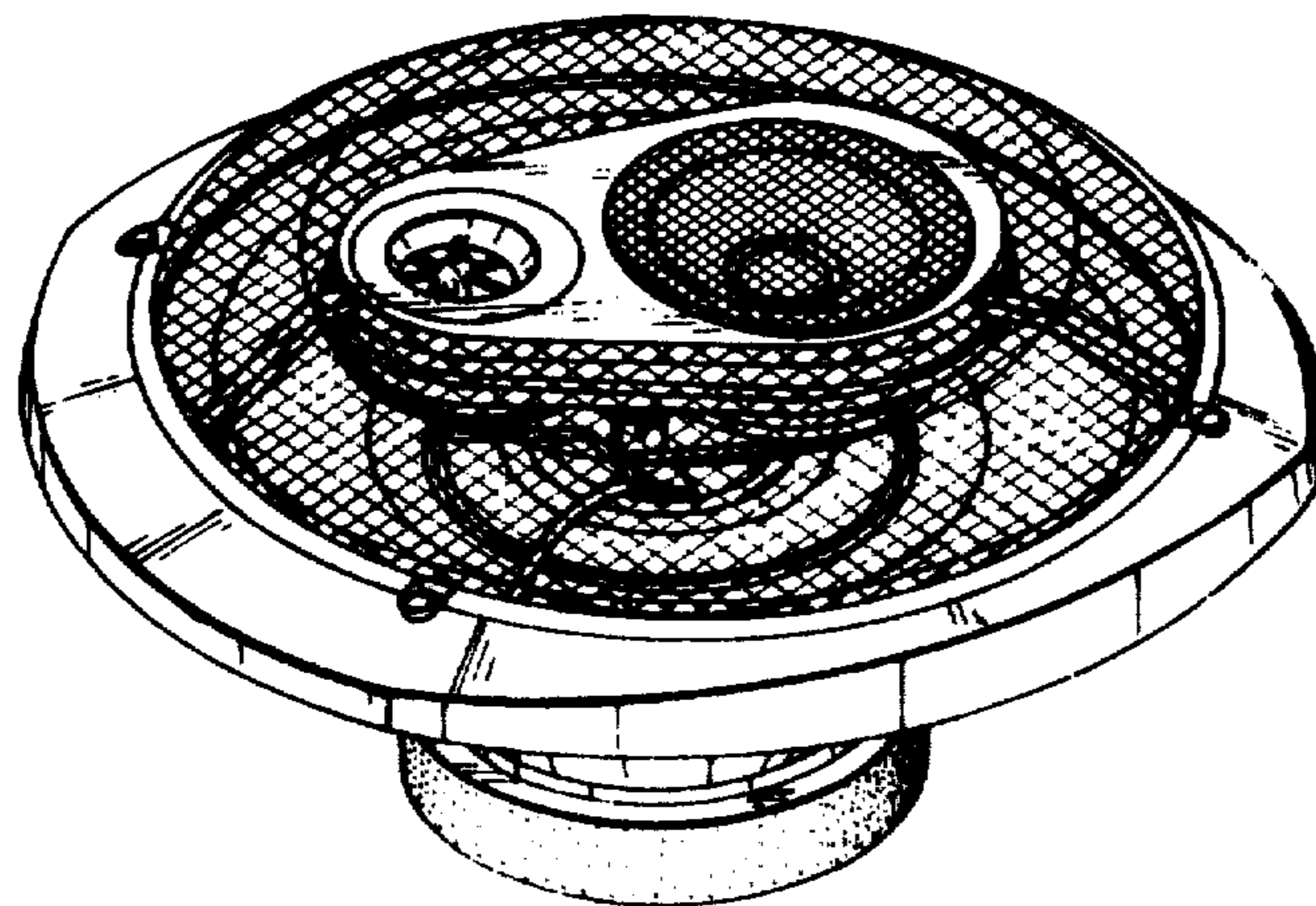


FIG. 1

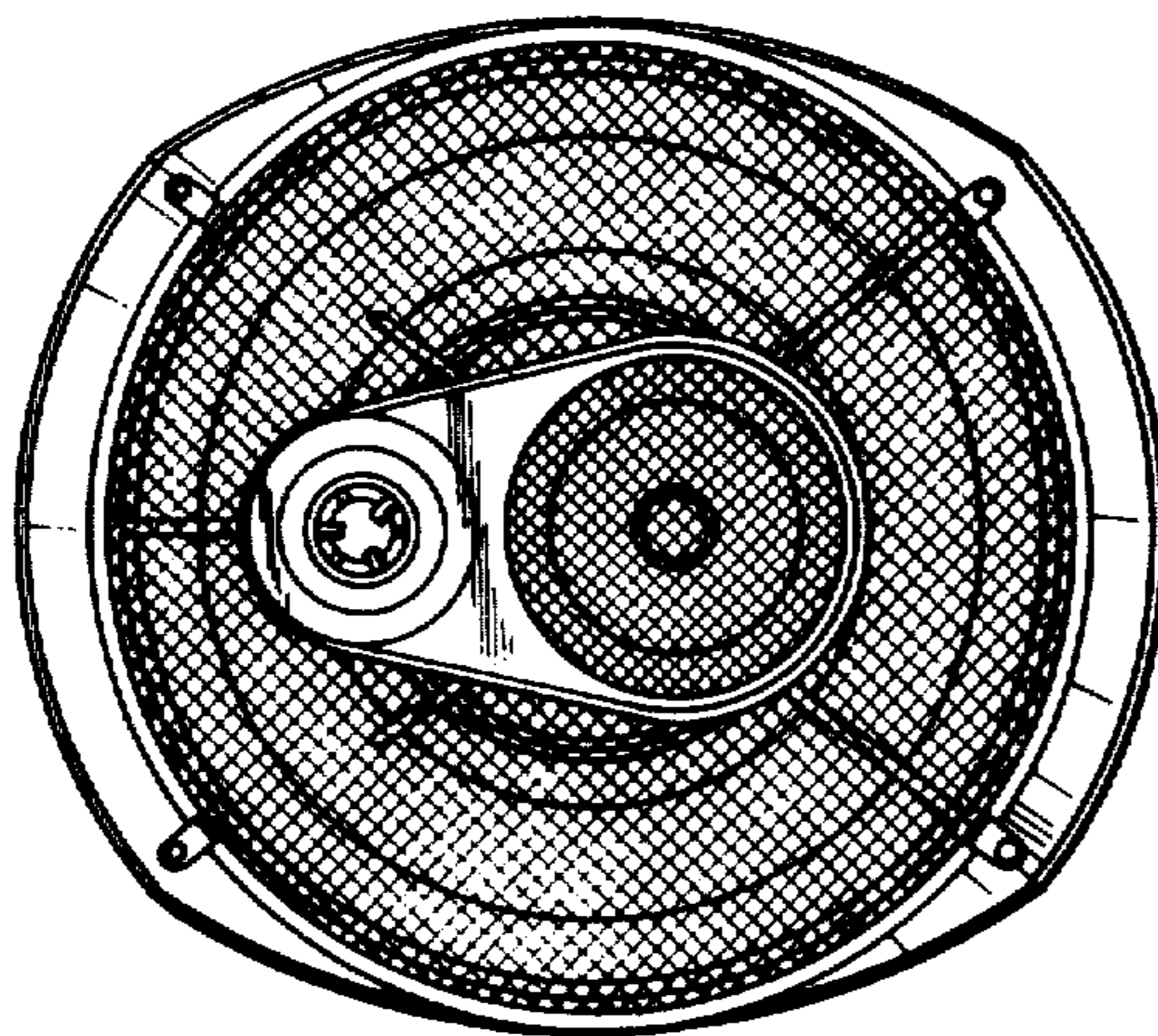


FIG. 2

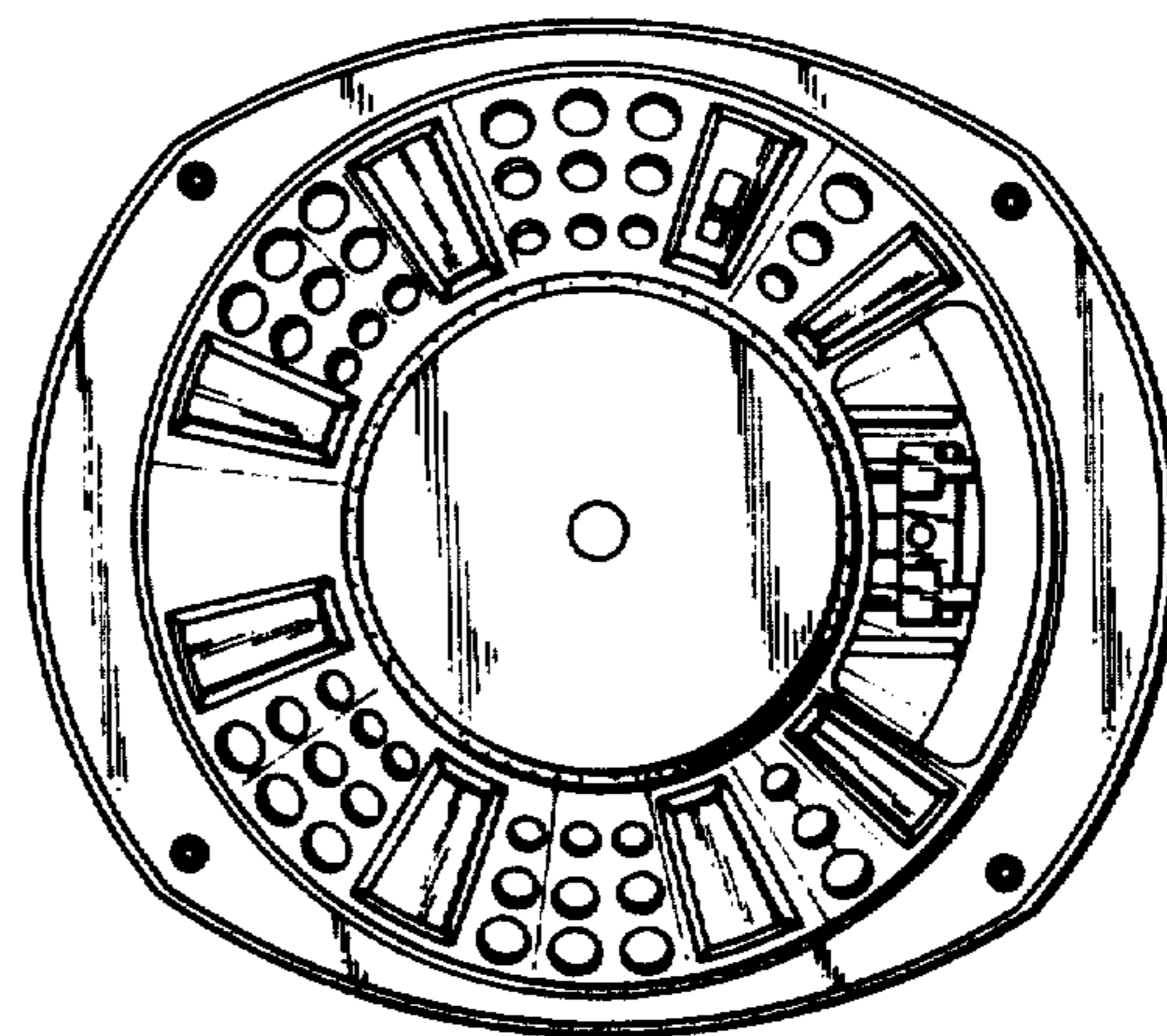


FIG. 3

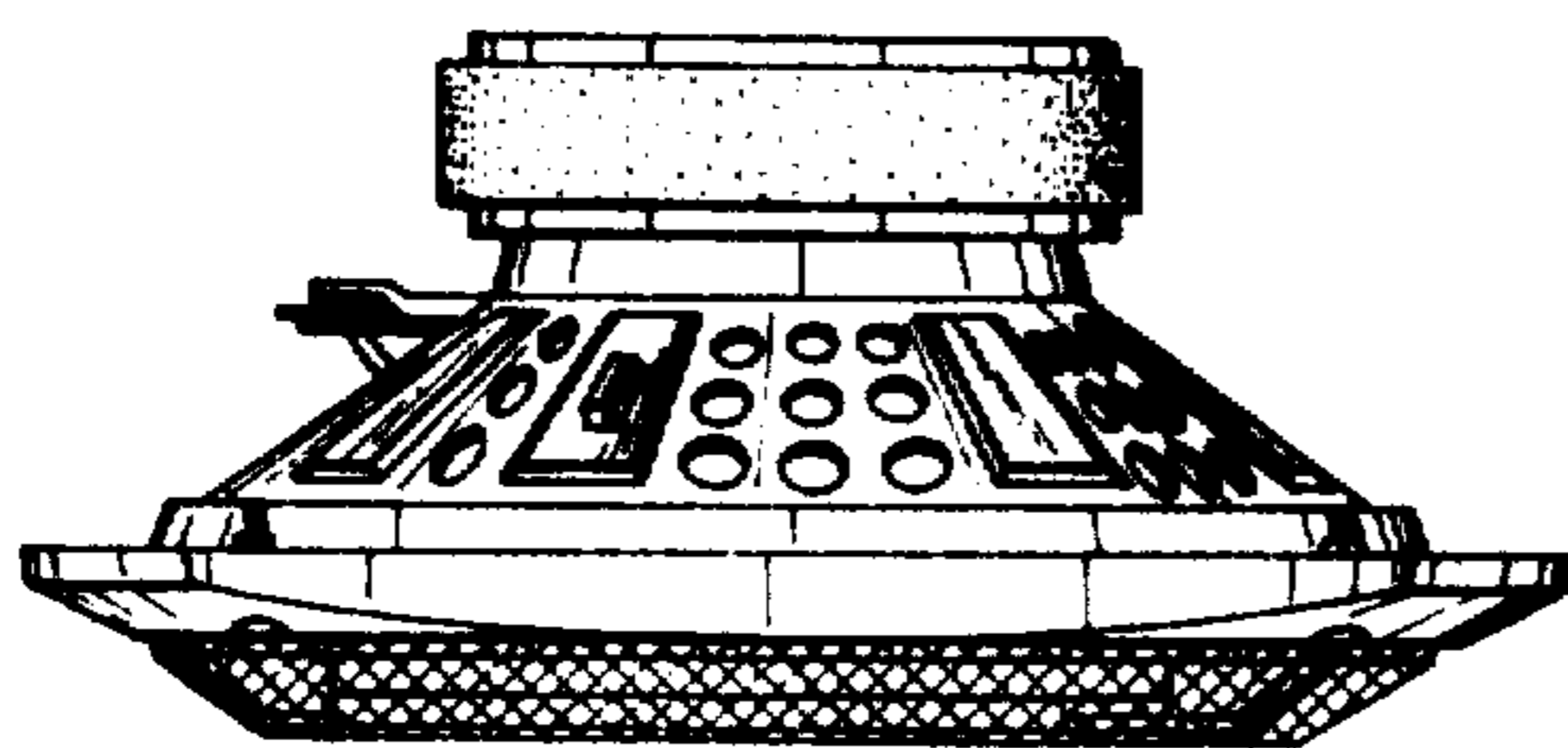


FIG. 4

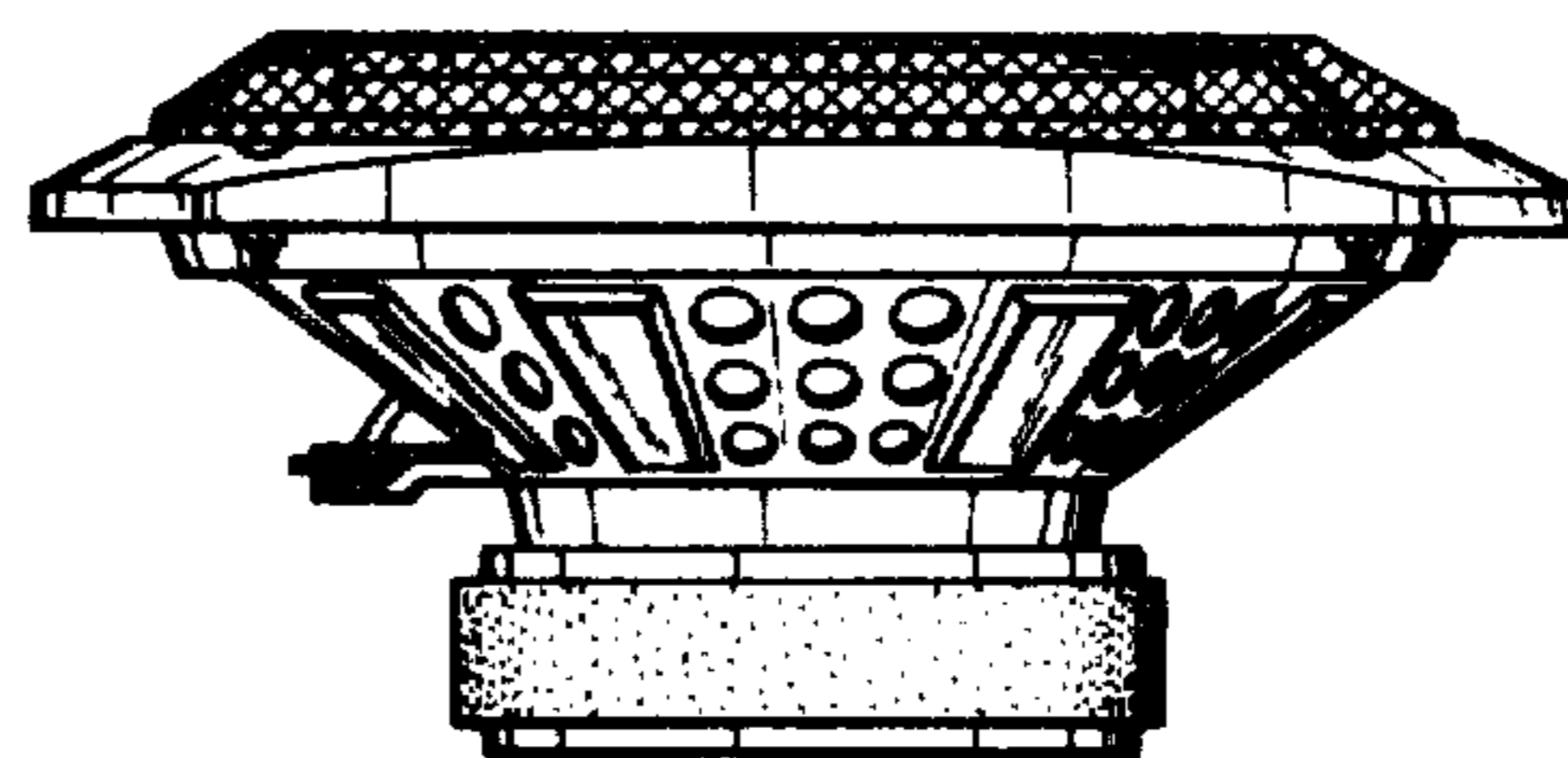


FIG. 5



FIG. 6

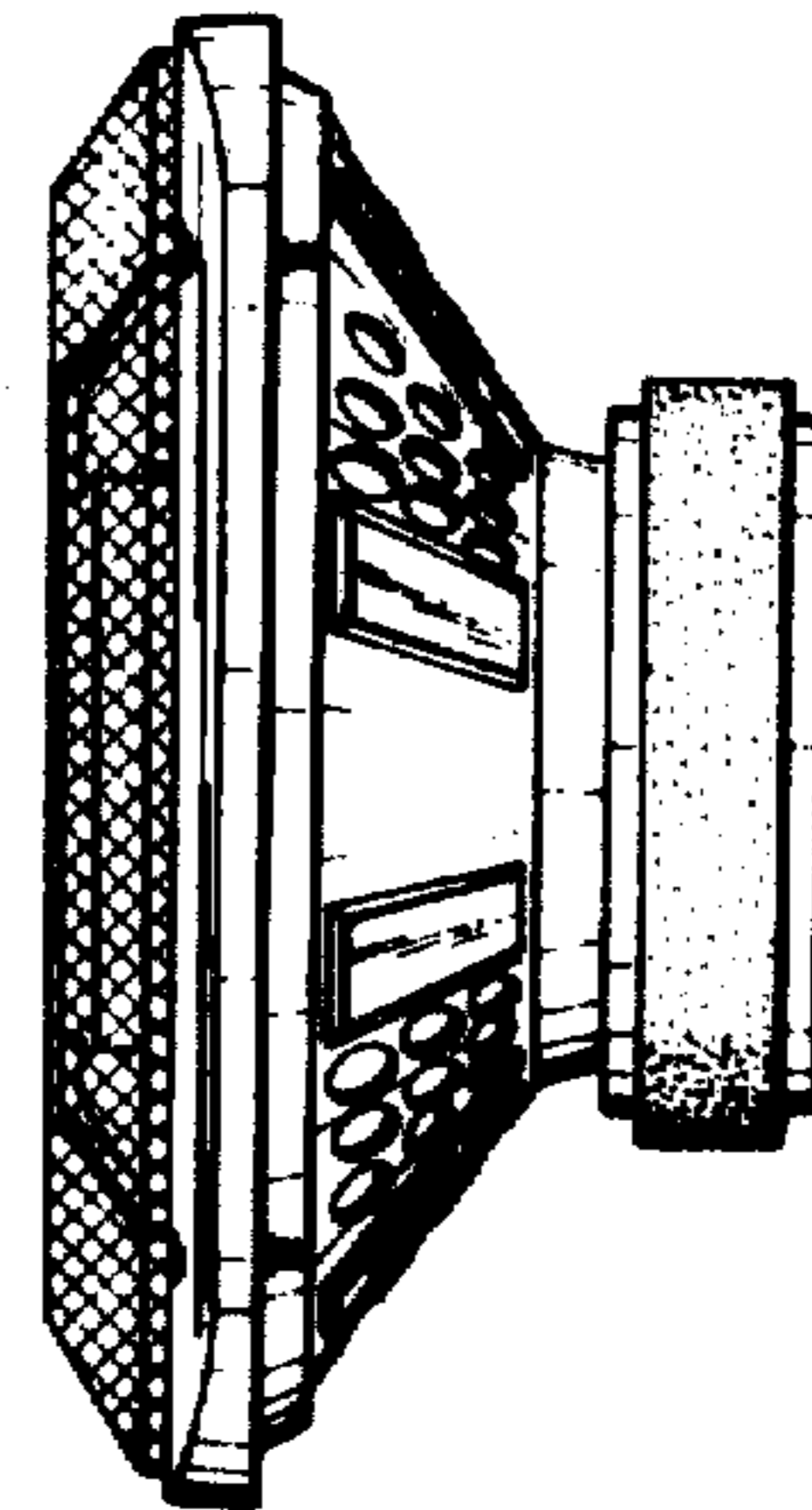


FIG. 7

