

[54] **VEHICLE WHEEL**

[75] **Inventor:** Ulf K. Svanbäck, Lilla Edet, Sweden

[73] **Assignee:** Saab-Scania Aktiebolag, Trollhattan, Sweden

[**] **Term:** 14 Years

[21] **Appl. No.:** 303,029

[22] **Filed:** Sep. 17, 1981

[30] **Foreign Application Priority Data**

Mar. 26, 1981 [SE] Sweden 81-0779
[52] **U.S. Cl.** D12/211
[58] **Field of Search** D12/209, 211; 301/63 R,
301/63 PW, 64 R, 64 SD, 65

[56]

References Cited

U.S. PATENT DOCUMENTS

D. 219,014 10/1970 Reid D12/211
D. 237,067 10/1975 Sandberg D12/211
D. 248,848 8/1978 Taitani et al. D12/209

OTHER PUBLICATIONS

Motor Trend, 4/65, p. 25, Mustang Wheel, center right side of page.

Primary Examiner—James M. Gandy
Attorney, Agent, or Firm—Young & Thompson

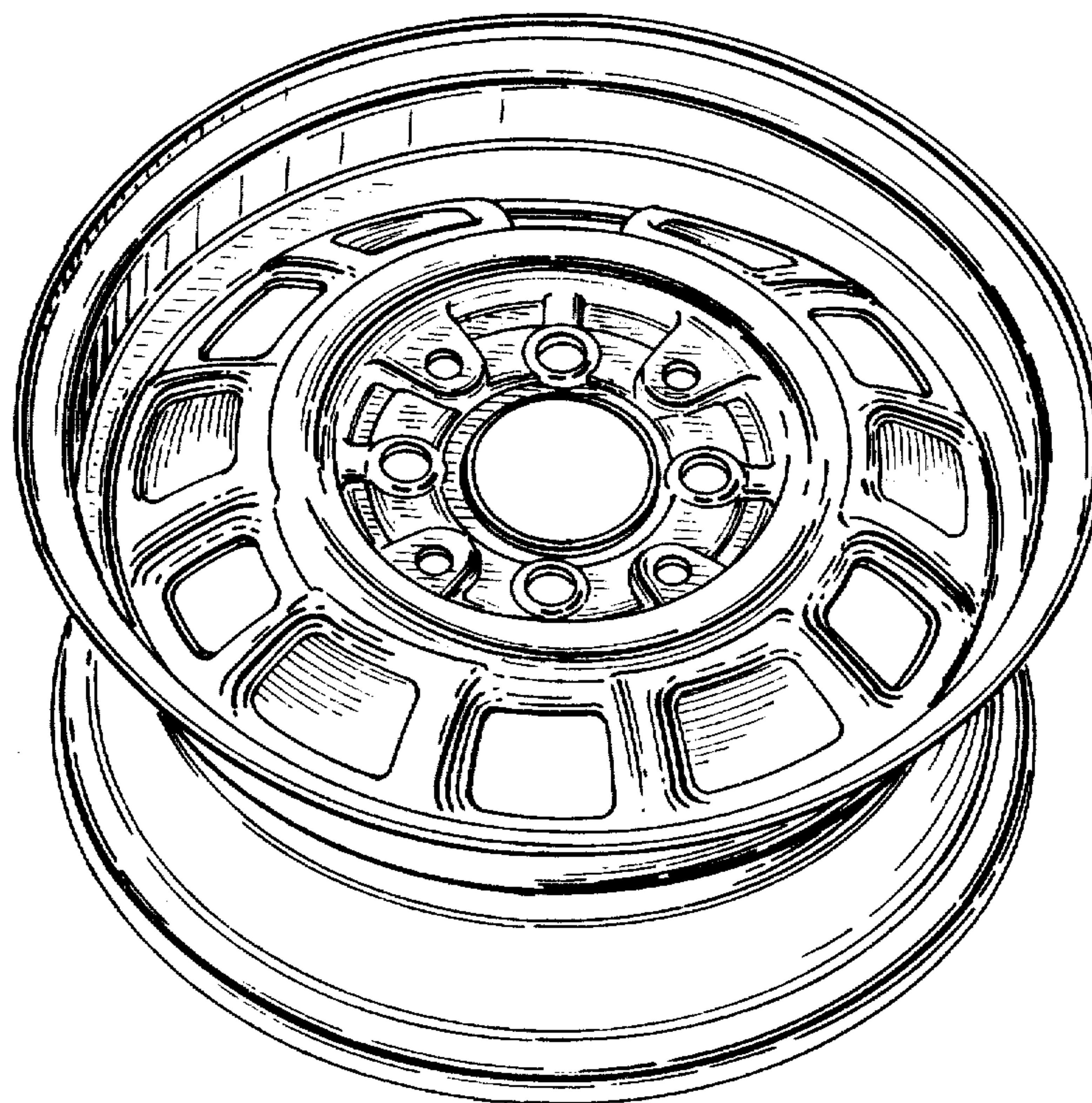
[57]

CLAIM

The ornamental design for a vehicle wheel, as shown and described.

DESCRIPTION

FIG. 1 is a front elevational view of a vehicle wheel showing my new design;
FIG. 2 is a rear elevational view thereof;
FIG. 3 is a side elevational view thereof; and
FIG. 4 is a front perspective view thereof.



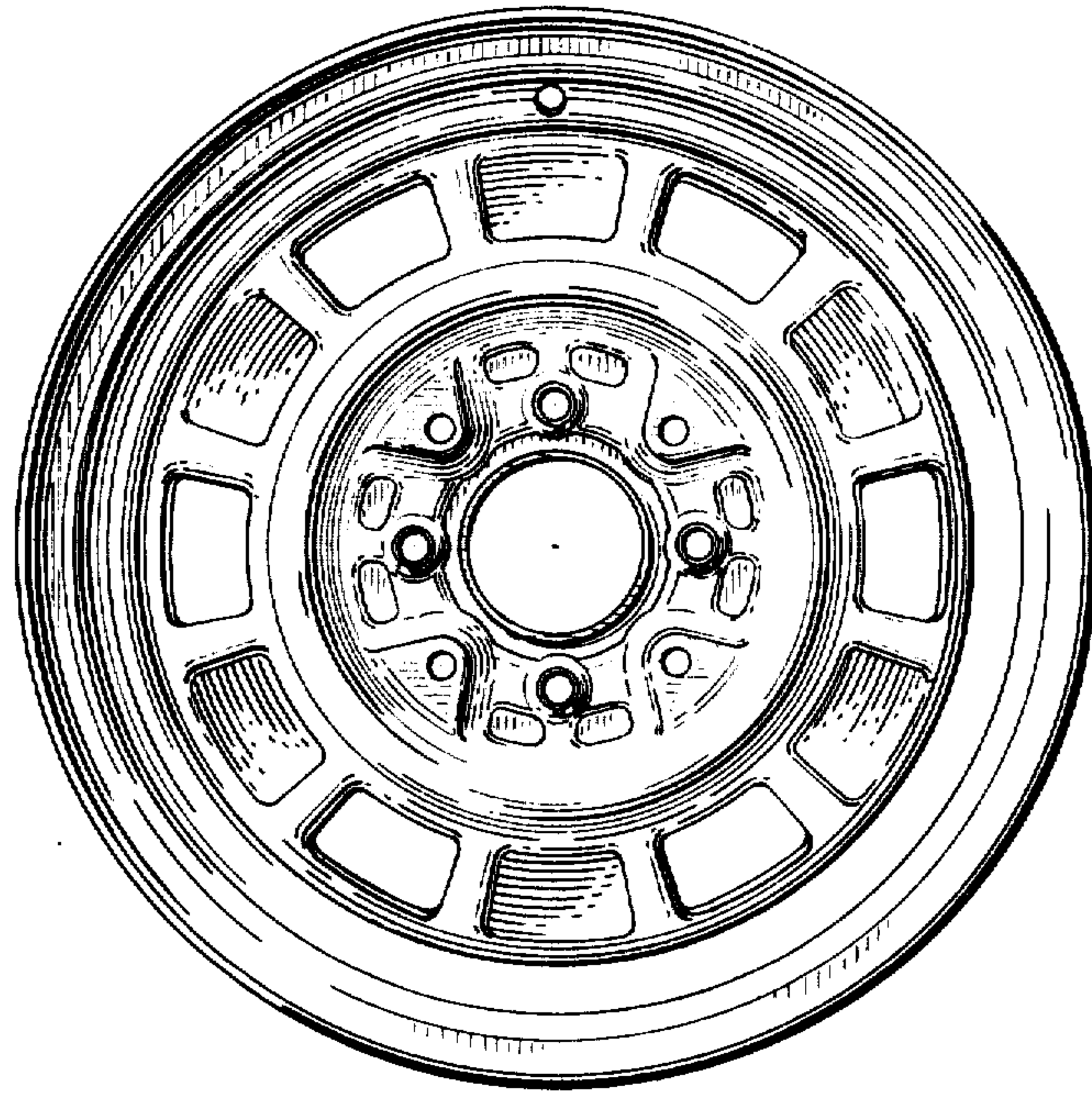


FIG. 1

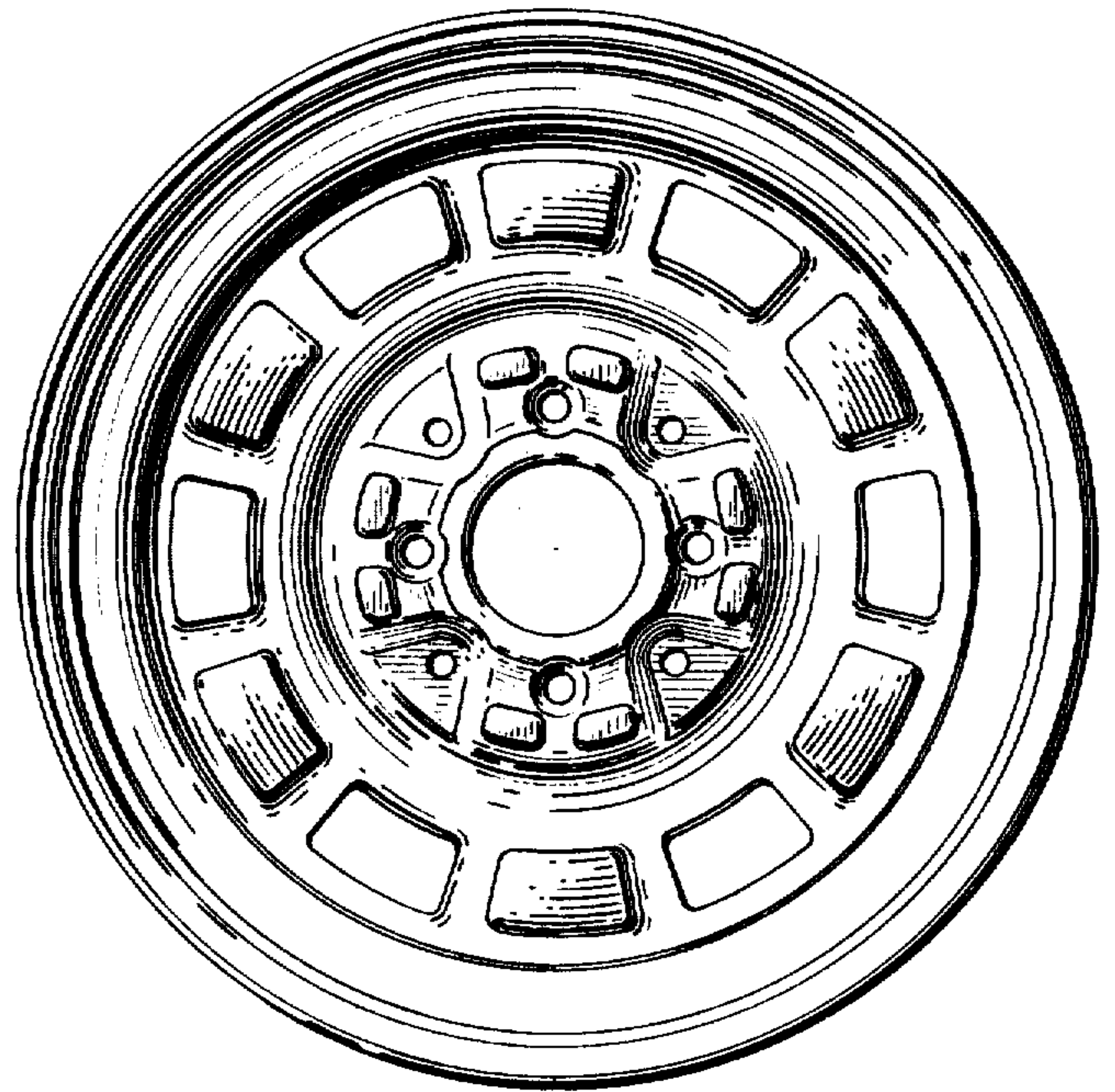


FIG. 2

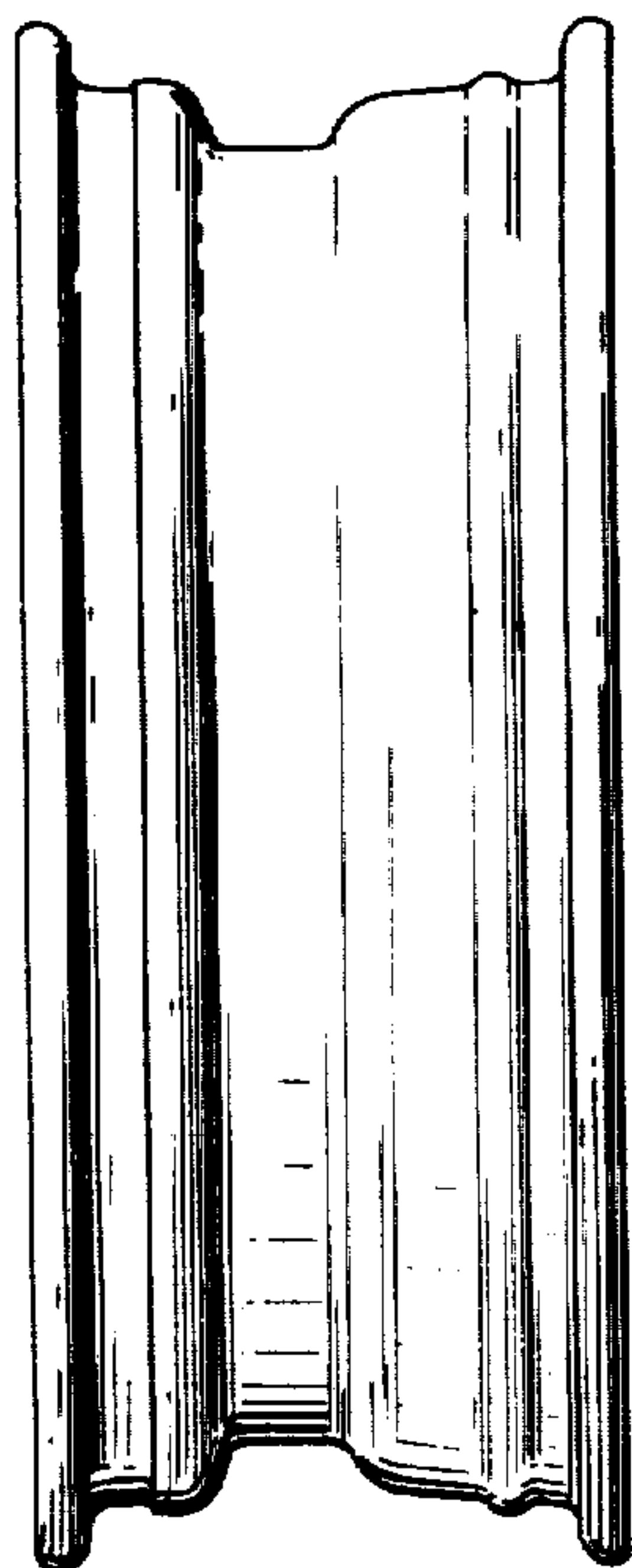


FIG. 3

FIG. 4

