

[54] TACKER
 [75] Inventor: Howard W. Biddle, Histon, England
 [73] Assignee: Ofrex Group Limited, London, England
 [**] Term: 14 Years
 [21] Appl. No.: 197,013
 [22] Filed: Oct. 14, 1980

[30] Foreign Application Priority Data
 Mar. 14, 1980 [GB] United Kingdom 80994464
 [52] U.S. Cl. D8/51
 [58] Field of Search D8/51; 227/120, 132

[56] References Cited
 U.S. PATENT DOCUMENTS
 D. 184,265 1/1959 Ruskin D8/49

D. 231,767 6/1974 Power et al. D8/49
 D. 260,354 8/1981 Proops et al. D8/61

Primary Examiner—Catherine E. Kemper
 Attorney, Agent, or Firm—Mason, Fenwick & Lawrence

[57] CLAIM

The ornamental design for a tacker, substantially as shown.

DESCRIPTION

FIG. 1 is a top perspective view of a tacker, showing my new design;
 FIG. 2 is a side elevational view thereof;
 FIG. 3 is a bottom plan view thereof;
 FIG. 4 is a front end view thereof;
 FIG. 5 is a top perspective view thereof, shown with the handle locking element in a second position;
 FIG. 6 is a top perspective view thereof, shown with the handle locking element in a third position.

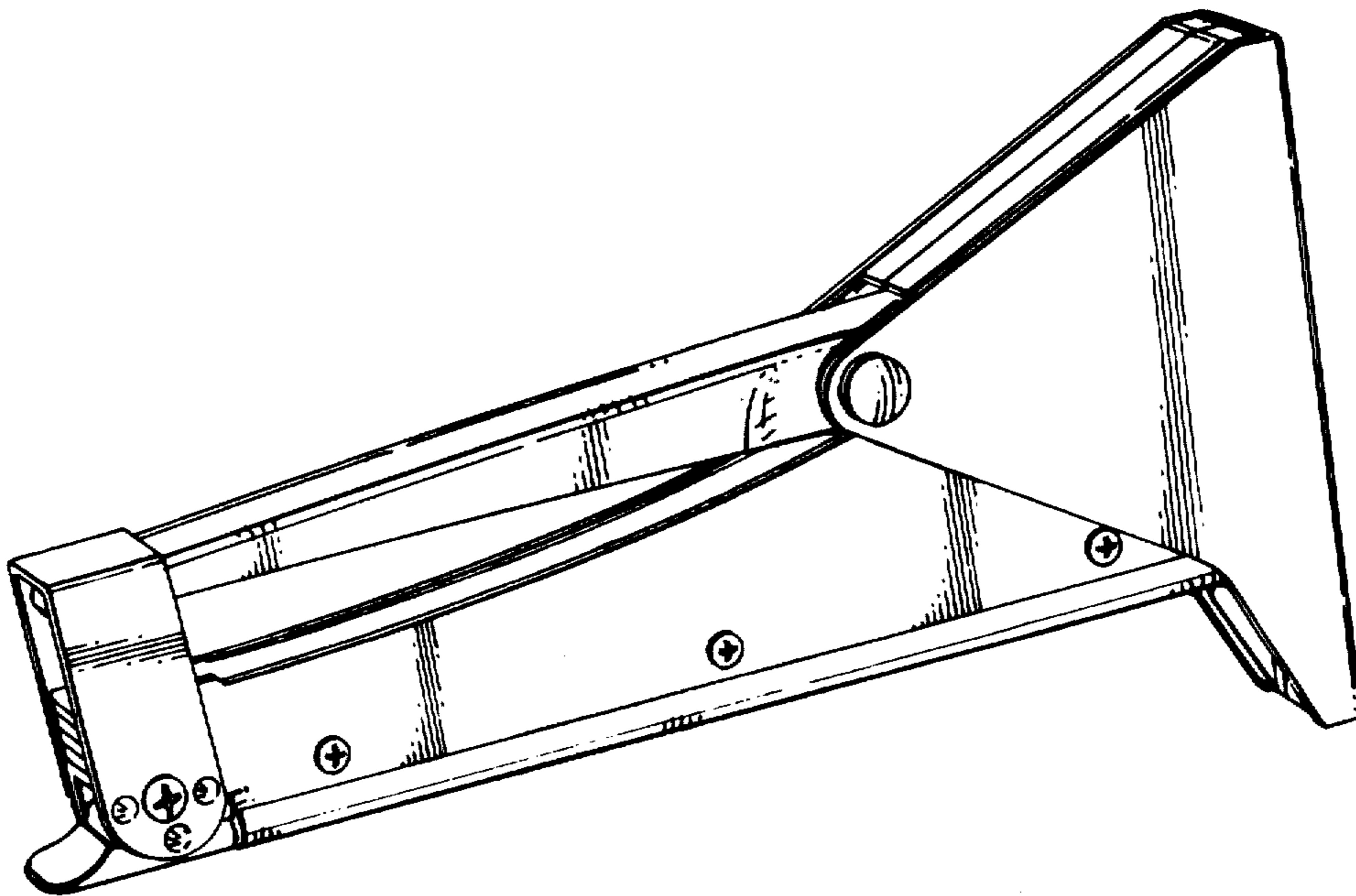
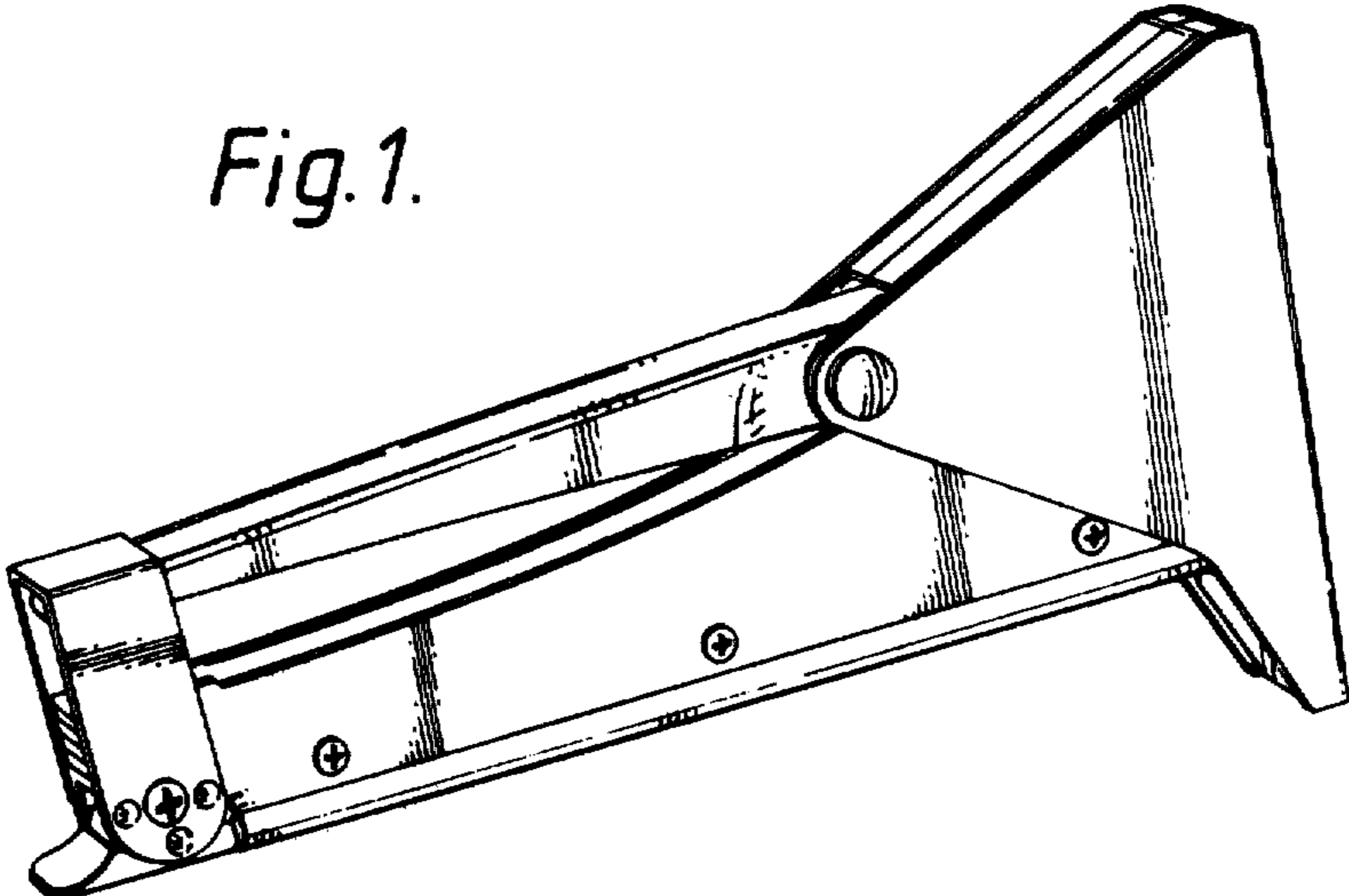


Fig. 1.



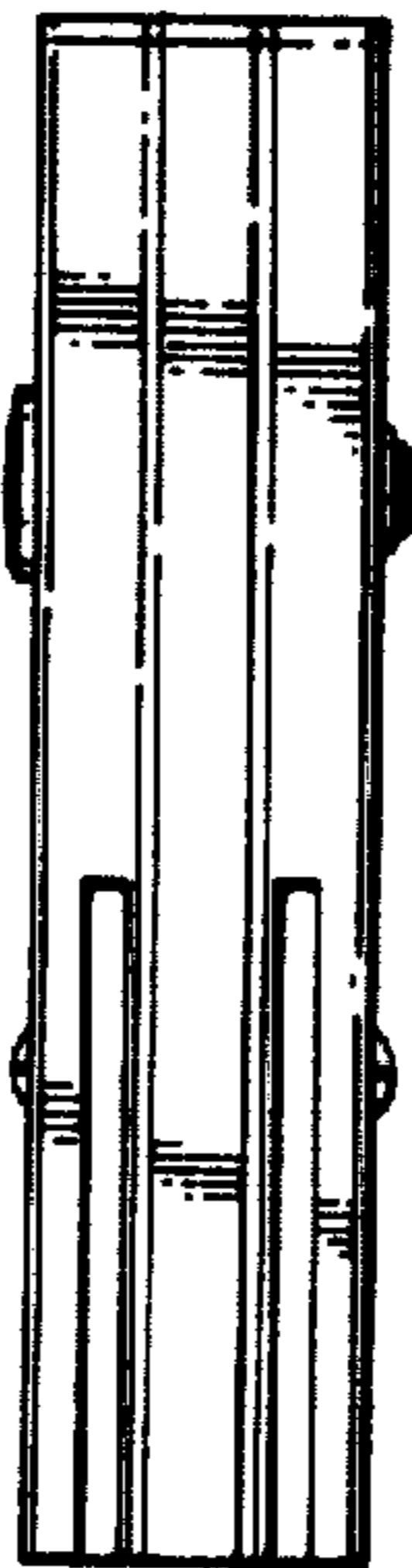
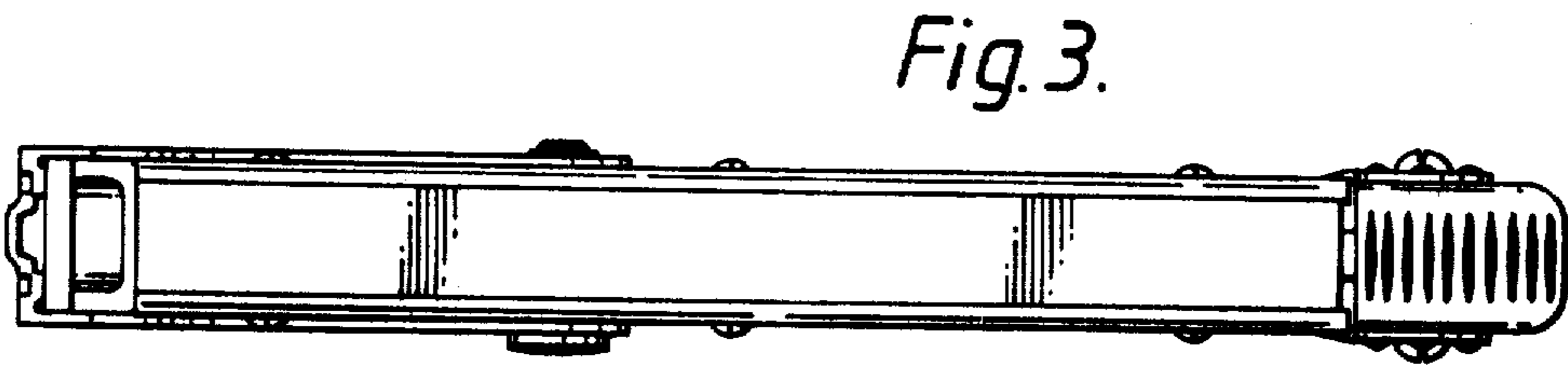
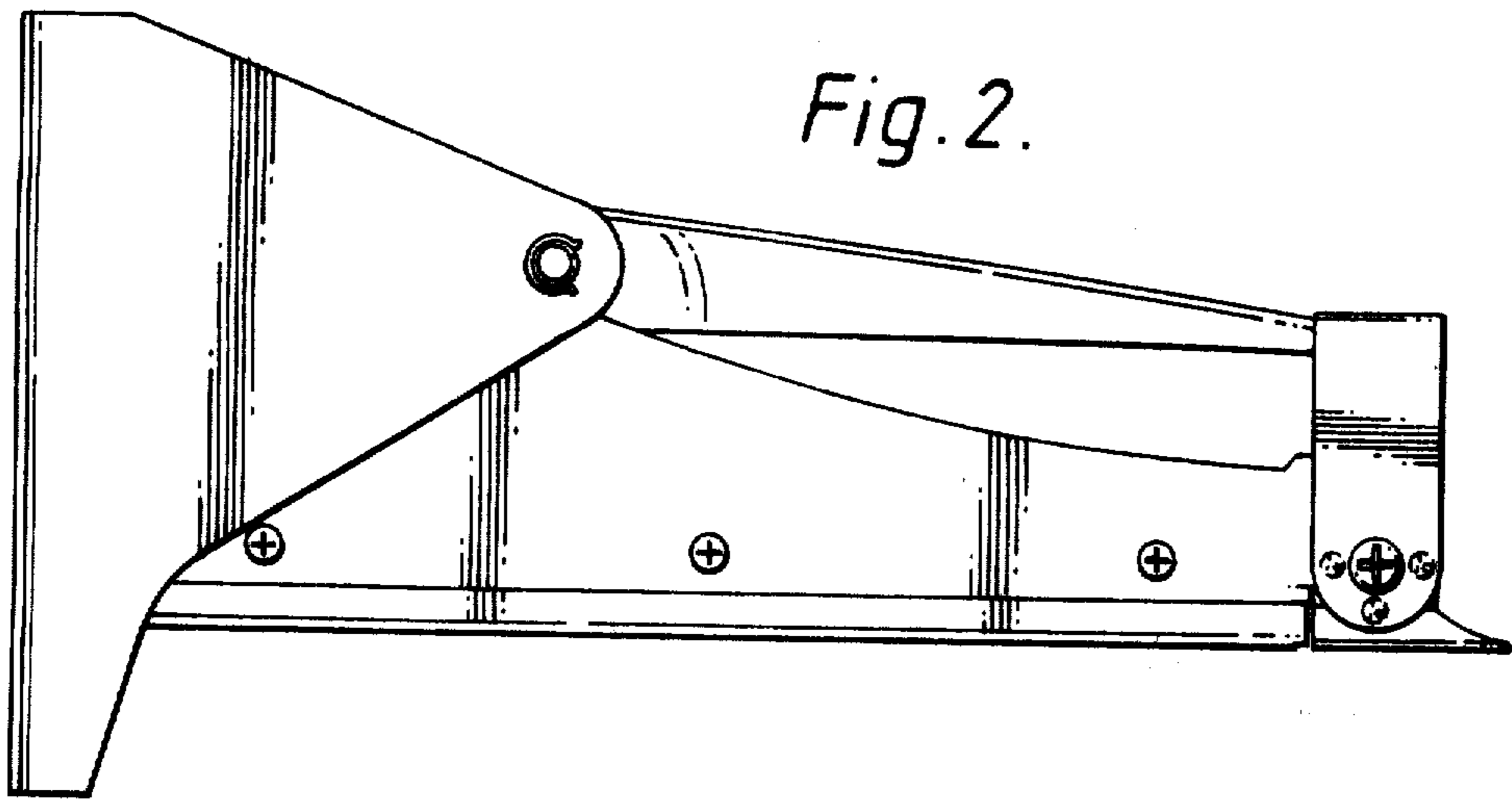


Fig. 5.

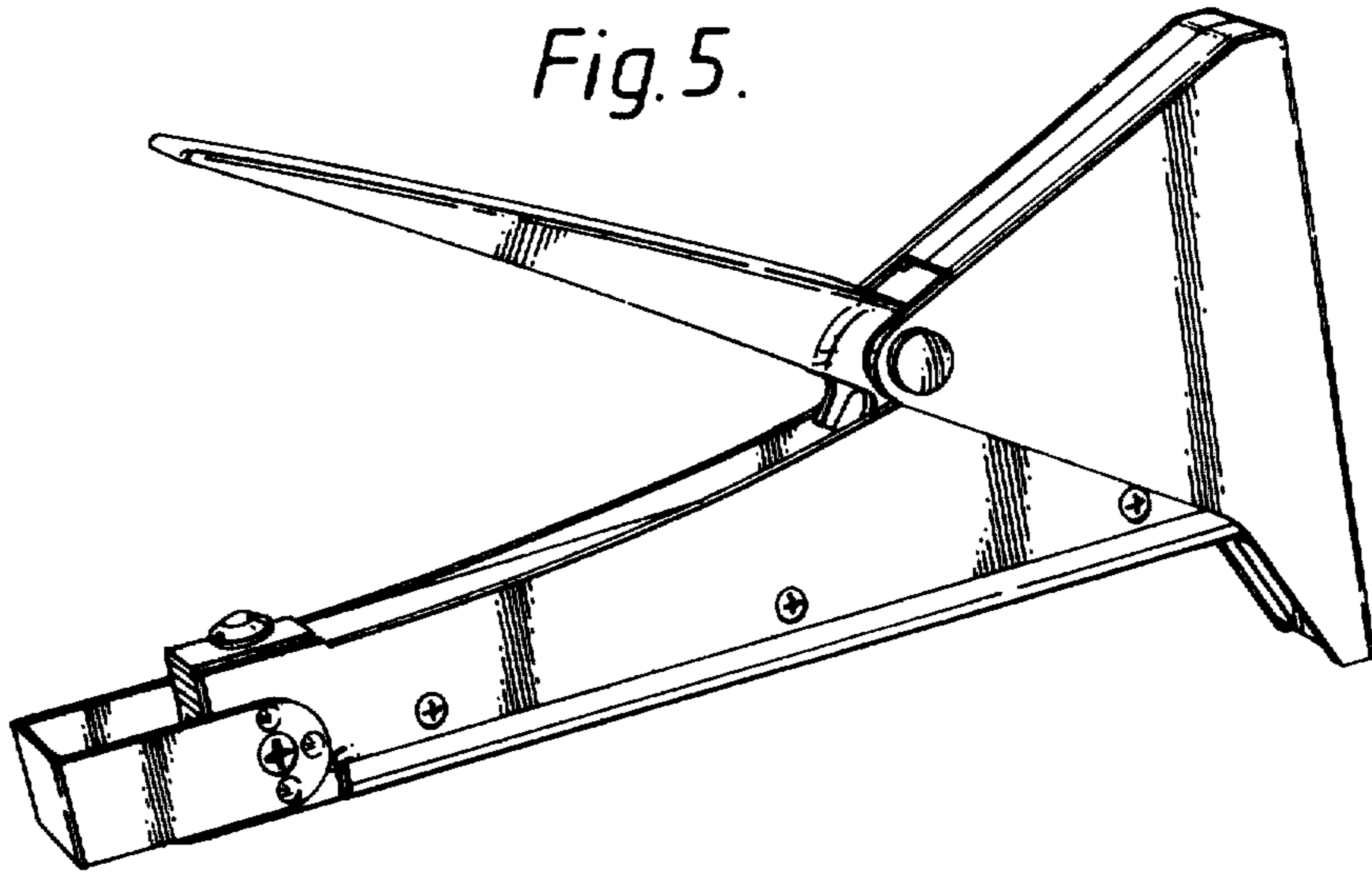


Fig. 6.

