

[54] TORQUE WRENCH

[76] Inventors: Frank J. Rizzo, 16 Waverly St., Everett, Mass. 02149; Bruce M. Smith, 11 Meadowbrook Rd., Dover, Mass. 02030

[\*\*] Term: 14 Years

[21] Appl. No.: 243,590

[22] Filed: Mar. 13, 1981

[52] U.S. Cl. .... D8/24; D8/82; D8/84

[58] Field of Search ..... D8/24, 82, 84, 86; 81/473-476, 481; 145/61 L

[56]

References Cited

U.S. PATENT DOCUMENTS

D. 182,956	6/1958	Harmes .....	D8/24
D. 259,236	5/1981	Isaacs .....	D8/82
2,984,133	5/1961	Livermont .....	81/474
3,876,369	4/1975	Behrens .....	81/475

Primary Examiner—Alan P. Douglas  
Attorney, Agent, or Firm—James E. Mrose

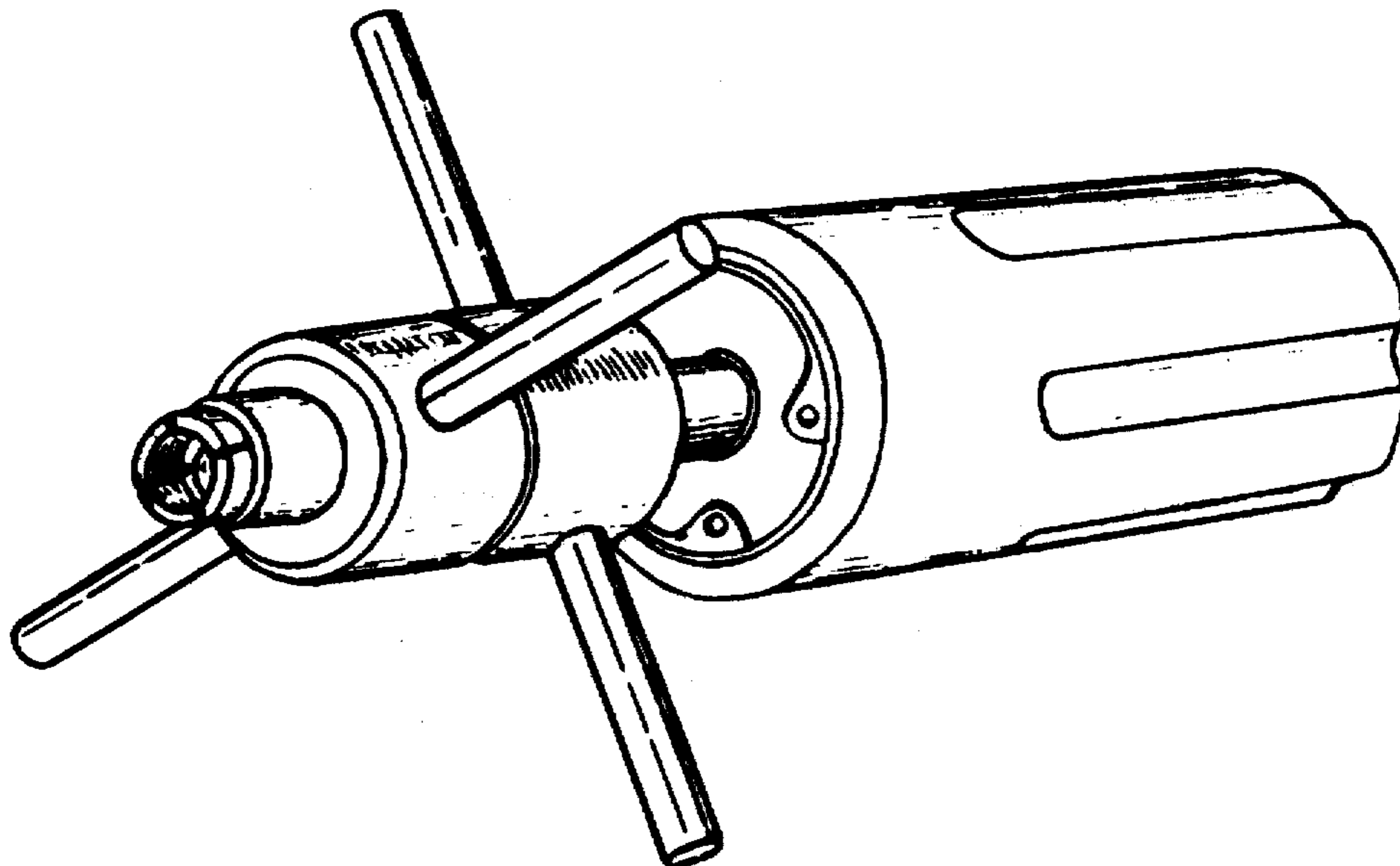
[57]

CLAIM

The ornamental design for a torque wrench, substantially as shown.

DESCRIPTION

FIG. 1 is a perspective view of a torque wrench showing my new design;  
FIG. 2 is a top plan view of the same torque wrench;  
FIG. 3 is a bottom plan view thereof;  
FIG. 4 is a front elevational view thereof; and  
FIG. 5 is a rear elevational view thereof.



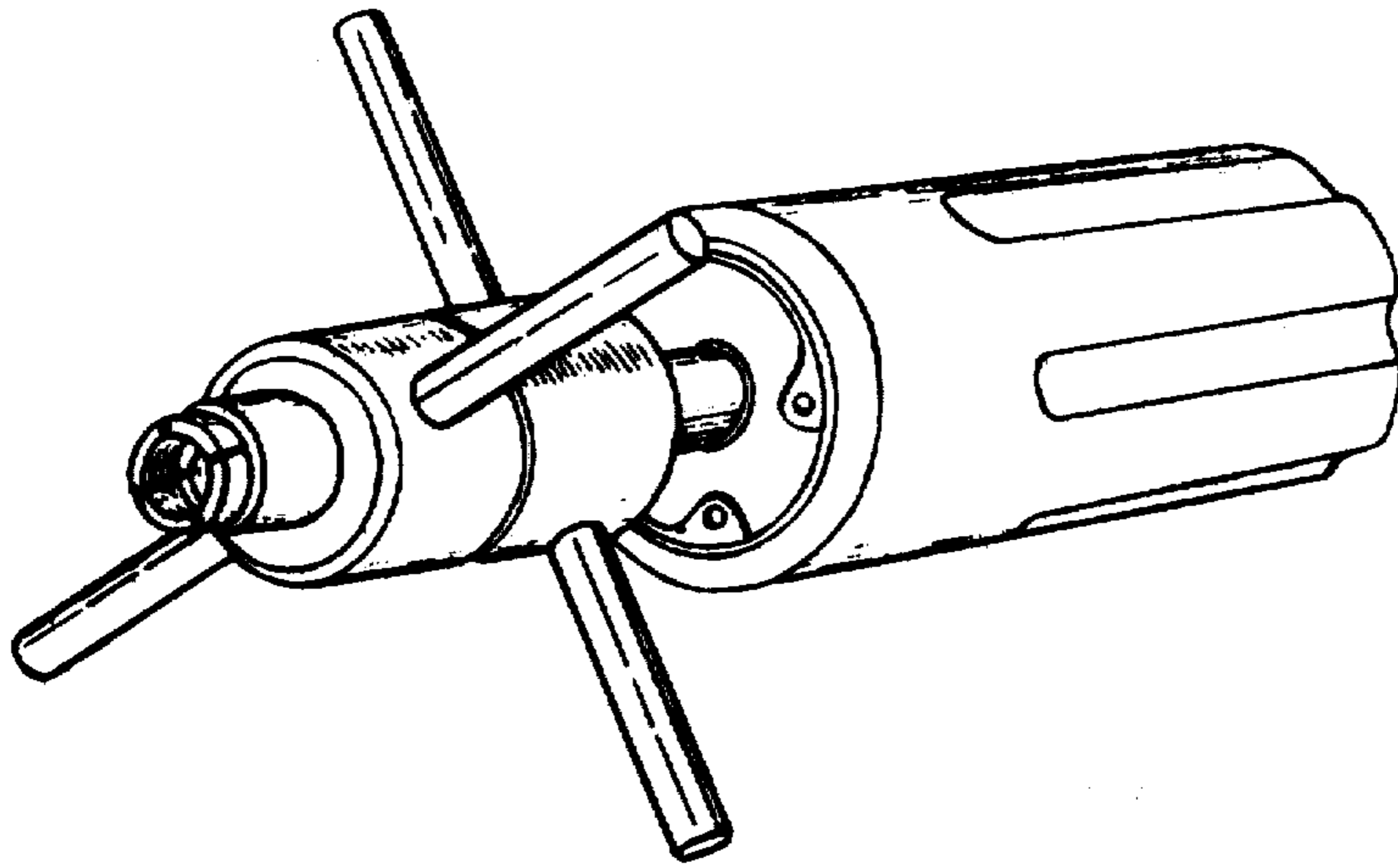


FIG. 1

FIG. 2

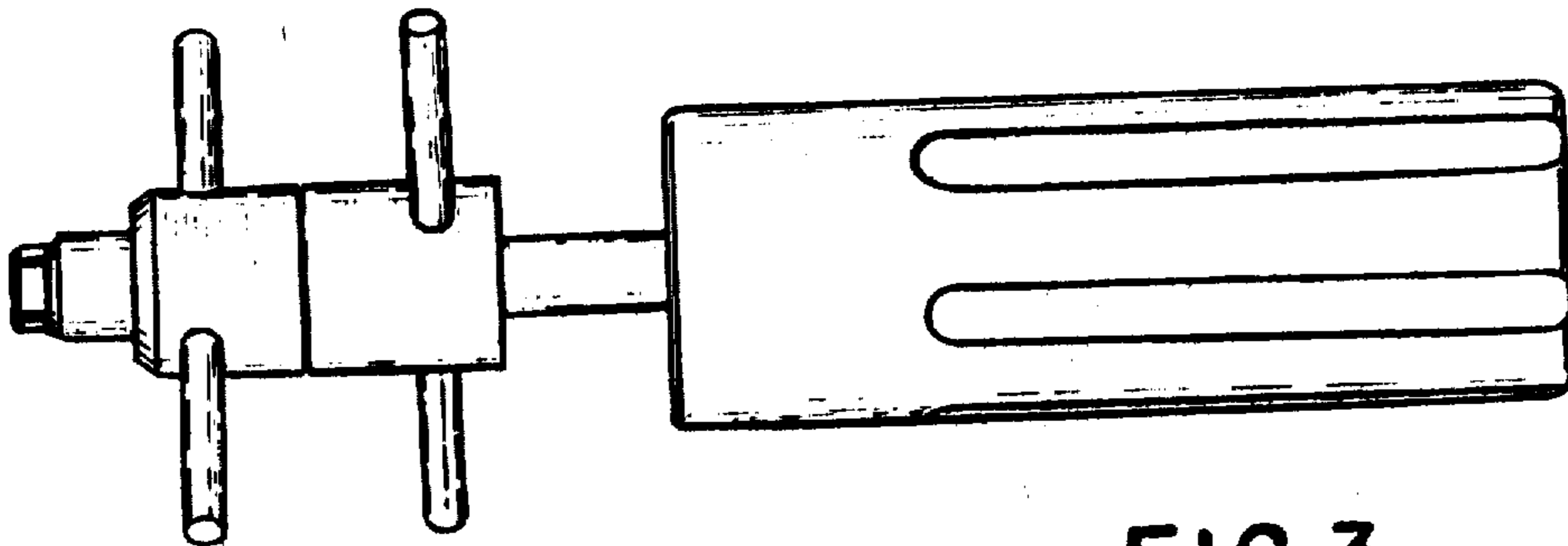


FIG. 3

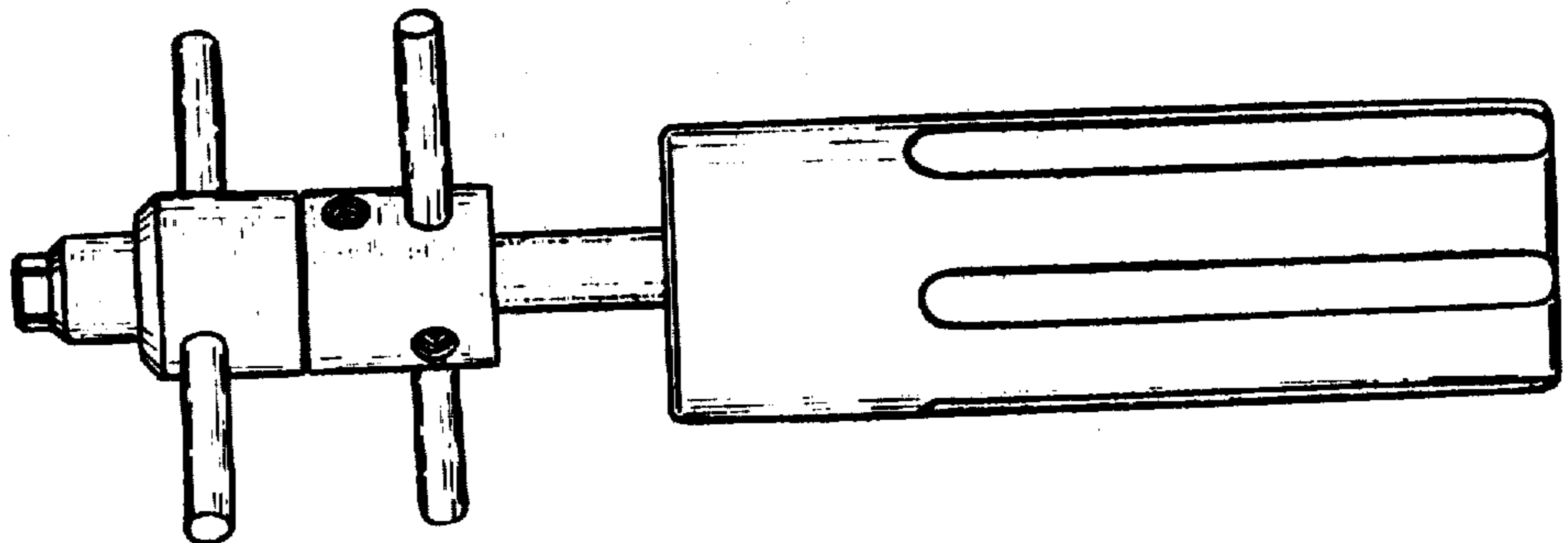


FIG. 4

FIG. 5

