

[54] FOOD PROCESSOR

[75] Inventors: Tsugio Akita, Osaka; Shinichi Nagayama, Kyoto, both of Japan

[73] Assignee: Matsushita Electric Industrial Co., Ltd., Osaka, Japan

[**] Term: 14 Years

[21] Appl. No.: 312,475

[22] Filed: Oct. 19, 1981

[30] Foreign Application Priority Data

Apr. 24, 1981 [JP] Japan 56-17921

[52] U.S. Cl. D7/384

[58] Field of Search D7/368, 372, 374, 376, D7/378, 381, 383, 384, 386, 412, 414, 415, 417; 241/93

[56] References Cited

U.S. PATENT DOCUMENTS

D. 250,568 12/1978 Belinkoff D7/384

D. 254,948 5/1980 Besford D7/384

D. 256,318 8/1980 Levin D7/384

D. 258,109 2/1981 Fukumoto et al. D7/384

D. 261,718 11/1981 Harrison D7/384

FOREIGN PATENT DOCUMENTS

314595 6/1956 Switzerland D7/368 X

OTHER PUBLICATIONS

Retailing Home Furnishings, H.F.D., Section One, Dec. 4, 1978, p. 38, Panasonic's Small Appliance Food Processor #5050 shown.

Primary Examiner—Winifred E. Herrmann
Attorney, Agent, or Firm—Sughrue, Mion, Zinn, Macpeak and Seas

[57] CLAIM

The ornamental design for a food processor, as shown.

DESCRIPTION

FIG. 1 is a front, top and right side perspective view of a food processor showing our new design; FIG. 2 is a front elevational view thereof; FIG. 3 is a left side elevational view thereof; FIG. 4 is a right side elevational view thereof; FIG. 5 is a top plan view thereof; FIG. 6 is a rear elevational view thereof; and FIG. 7 is a bottom plan view thereof.

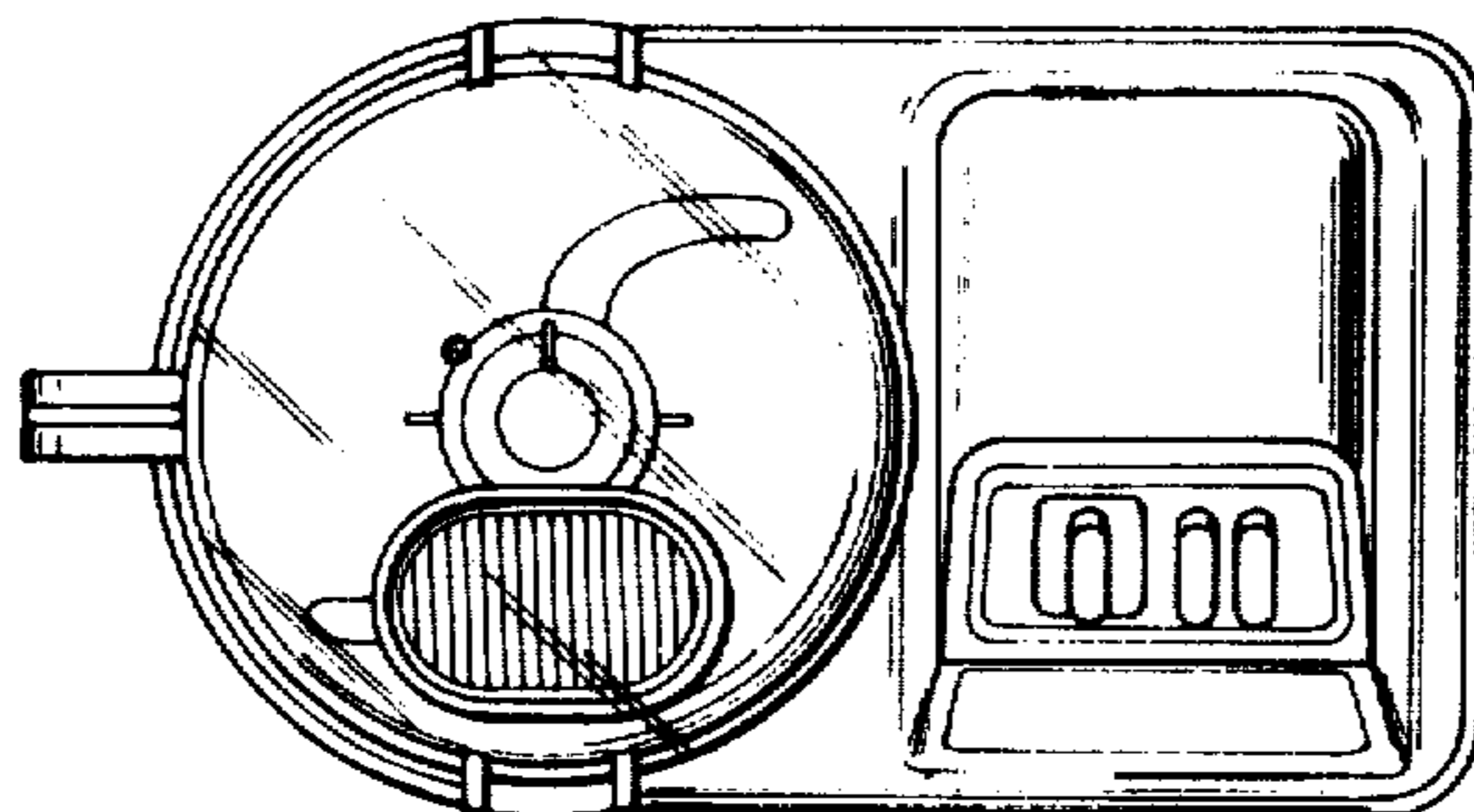
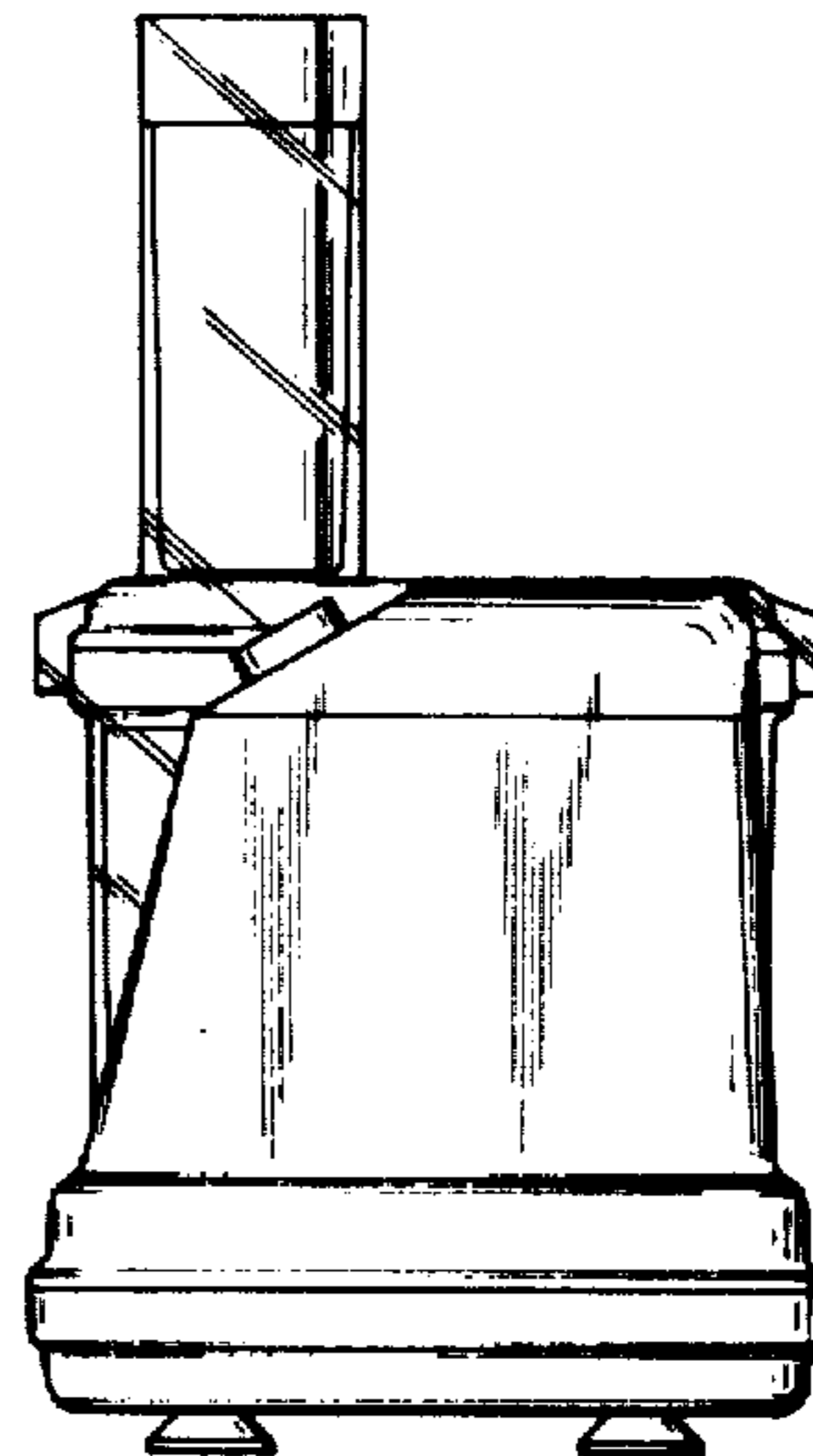
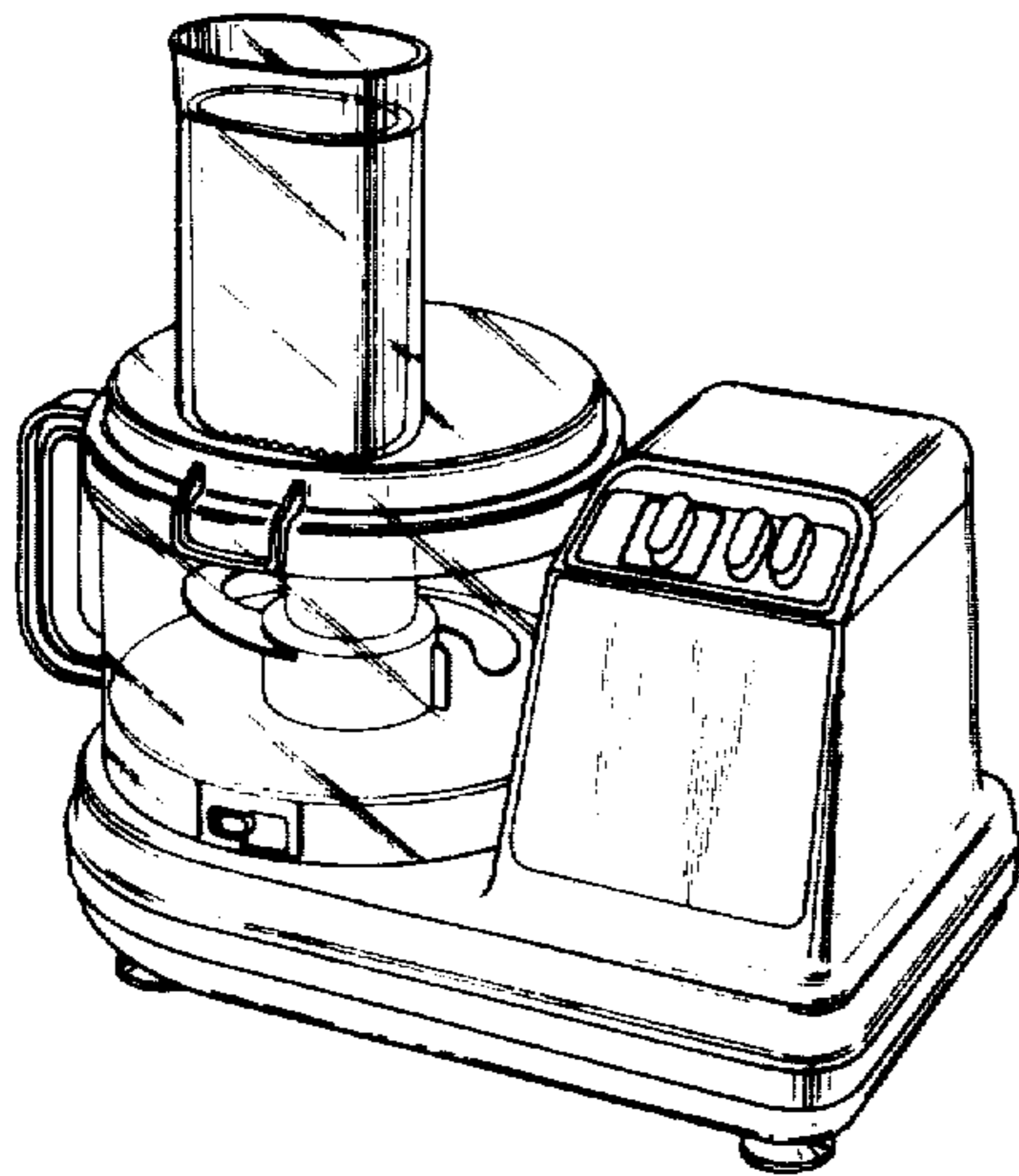


FIG. 1

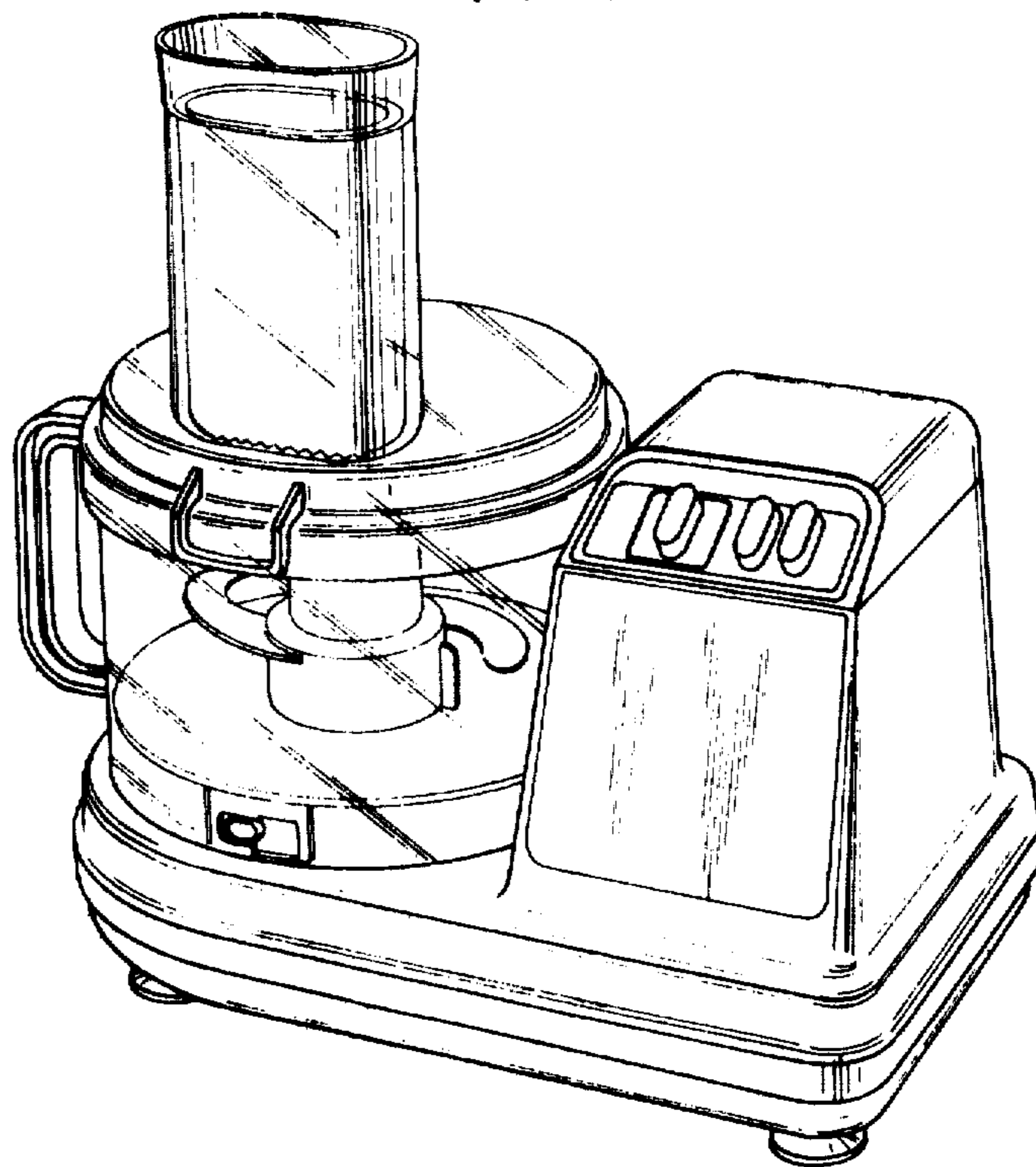


FIG. 2

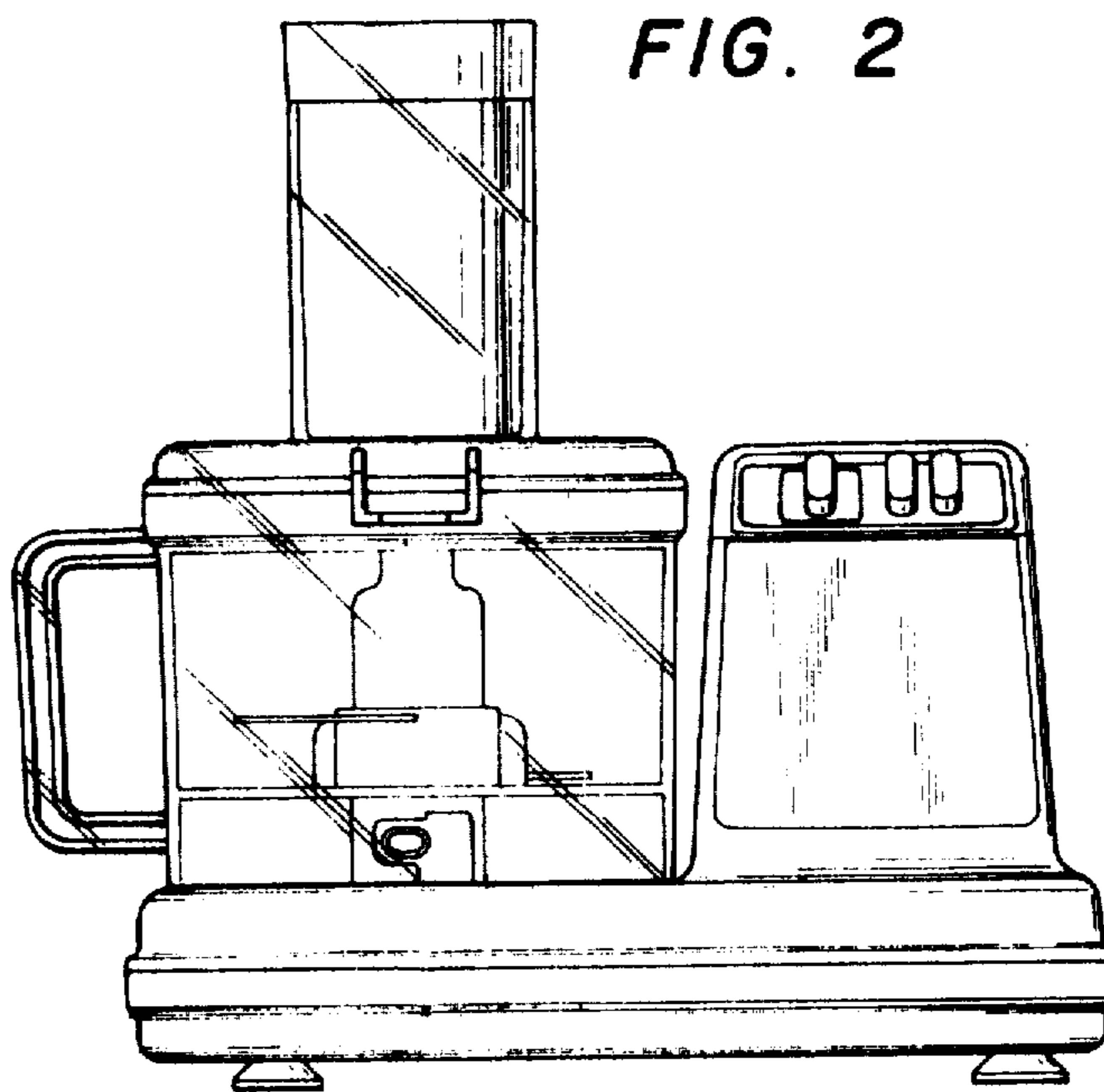


FIG. 3

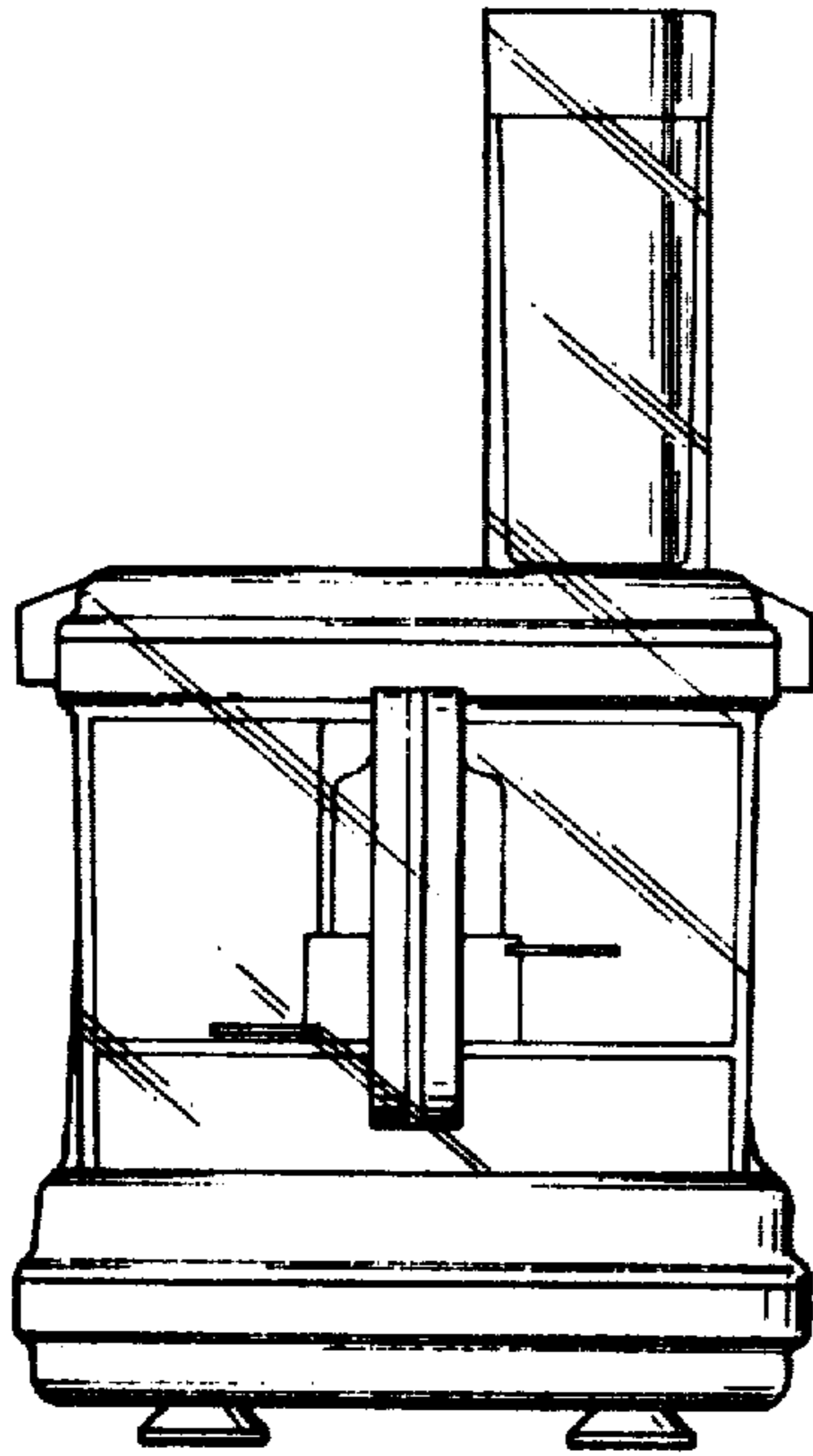


FIG. 4

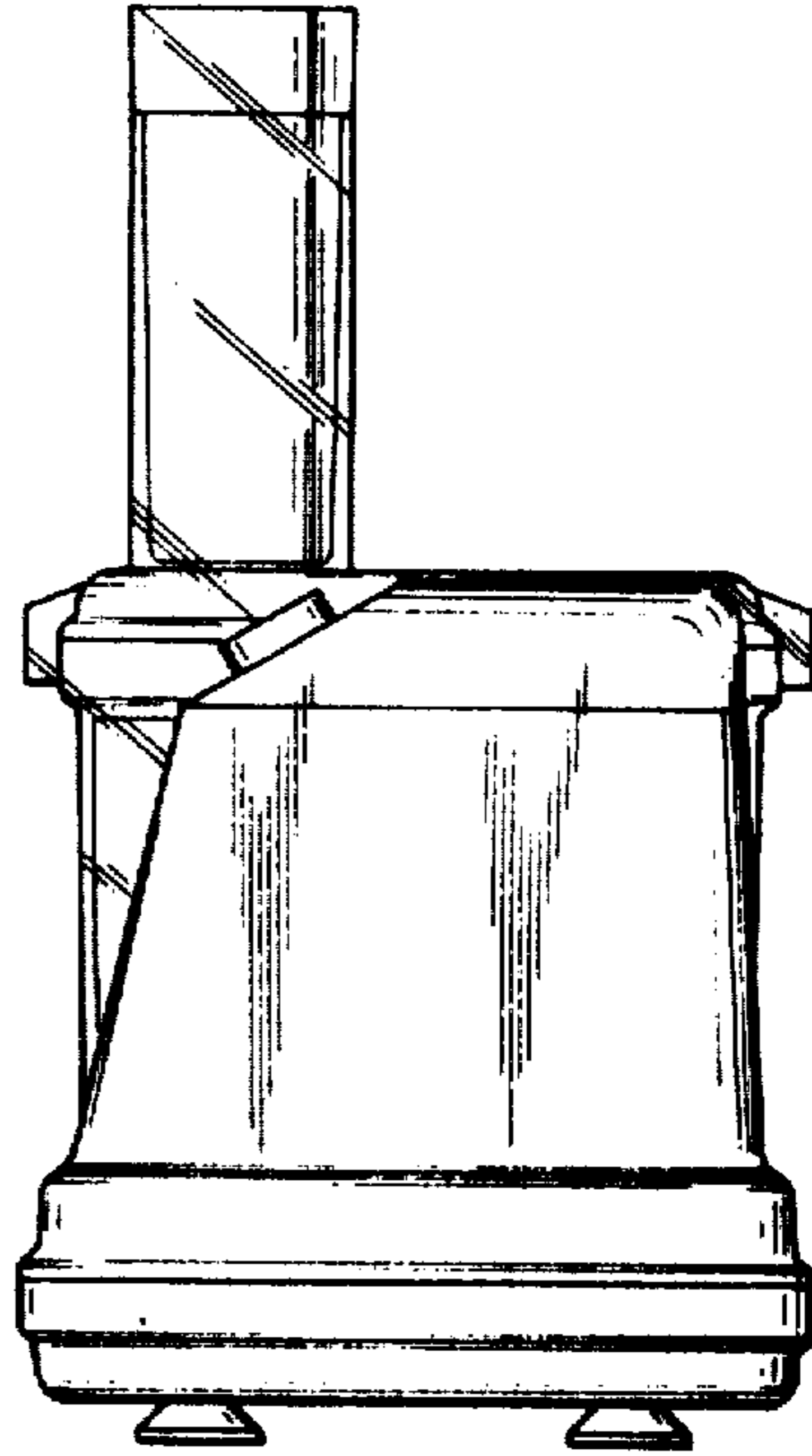


FIG. 5

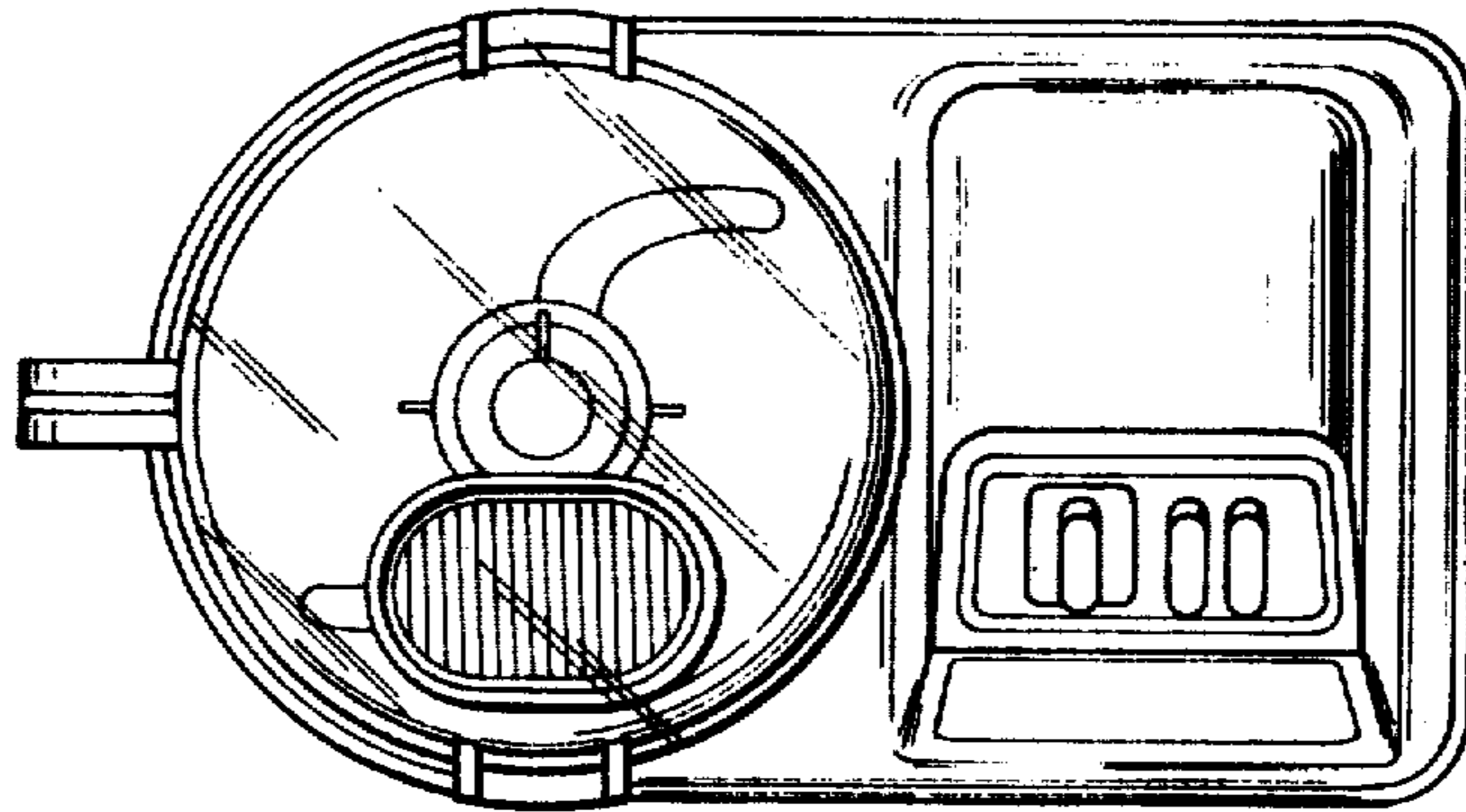


FIG. 6

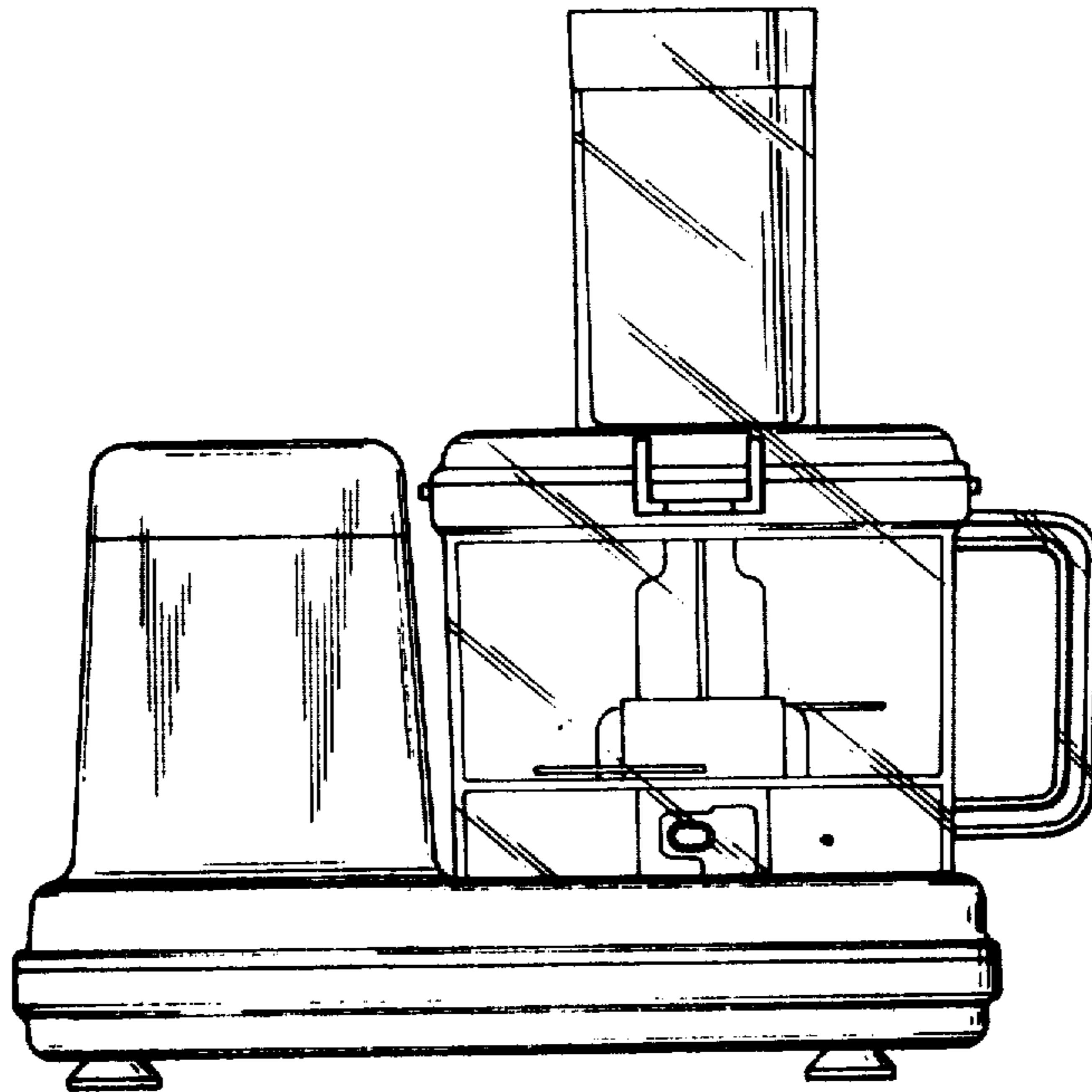


FIG. 7

