

[54] BUFFET SERVER

[75] Inventors: Dan E. Gremponrez, West Bend, Wis.; David L. Painter, Glenview, Ill.

[73] Assignee: Dart Industries Inc., Northbrook, Ill.

[\*\*] Term: 14 Years

[21] Appl. No.: 280,566

[22] Filed: Jul. 6, 1981

[52] U.S. Cl. .... D7/357

[58] Field of Search ..... D7/357, 3, 366, 300, D7/76

[56] References Cited

U.S. PATENT DOCUMENTS

- D. 90,947 10/1933 Guild ..... D7/357
- D. 93,901 11/1934 von Nessen ..... D7/357
- D. 171,000 12/1953 Levine ..... D7/76
- D. 171,038 12/1953 Levine ..... D7/76
- D. 260,958 9/1981 Nishikawa ..... D7/357

OTHER PUBLICATIONS

*Pyroceram Tableware*—Corning Serving Food Better, p. 19, Corning Hot Service Center.

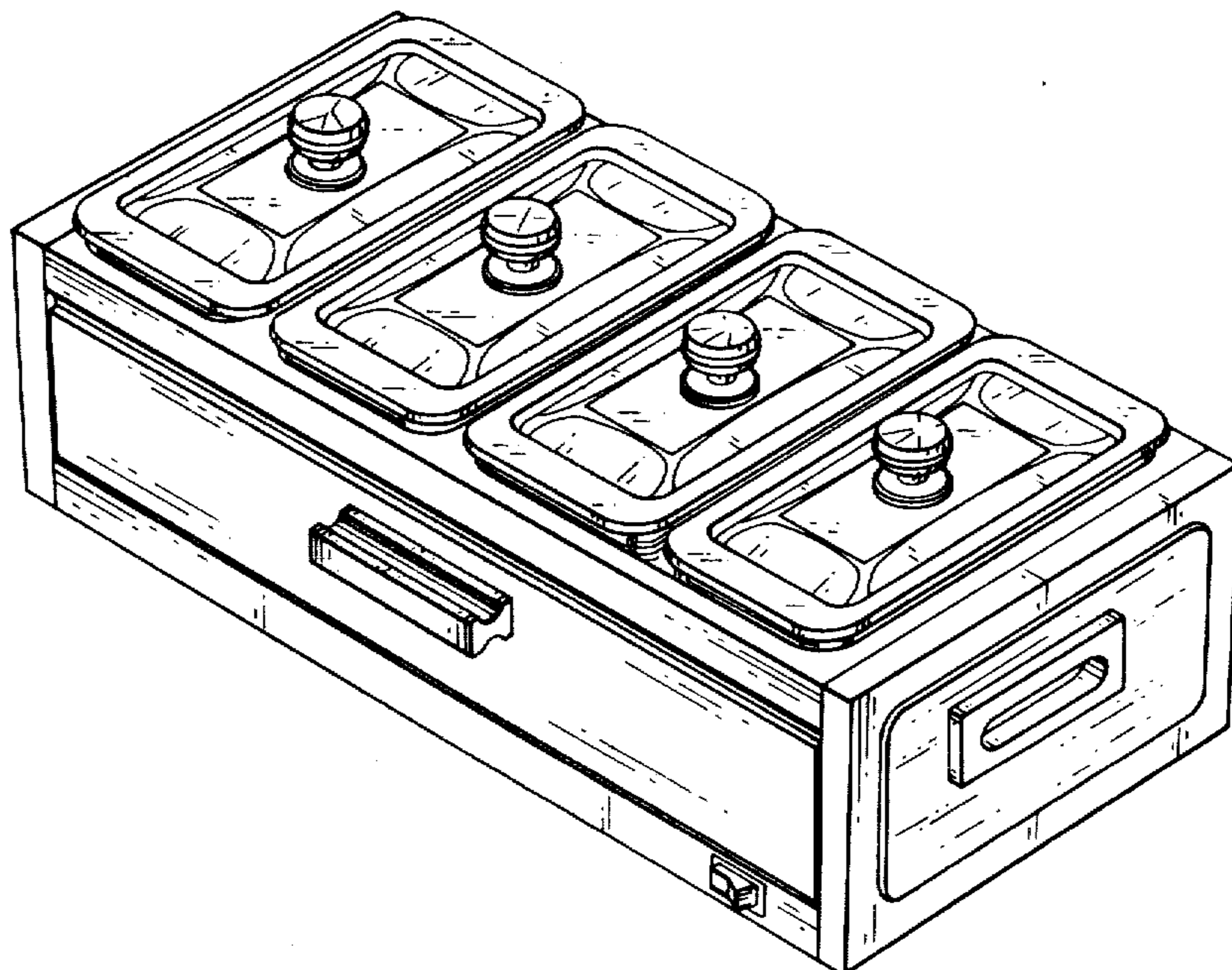
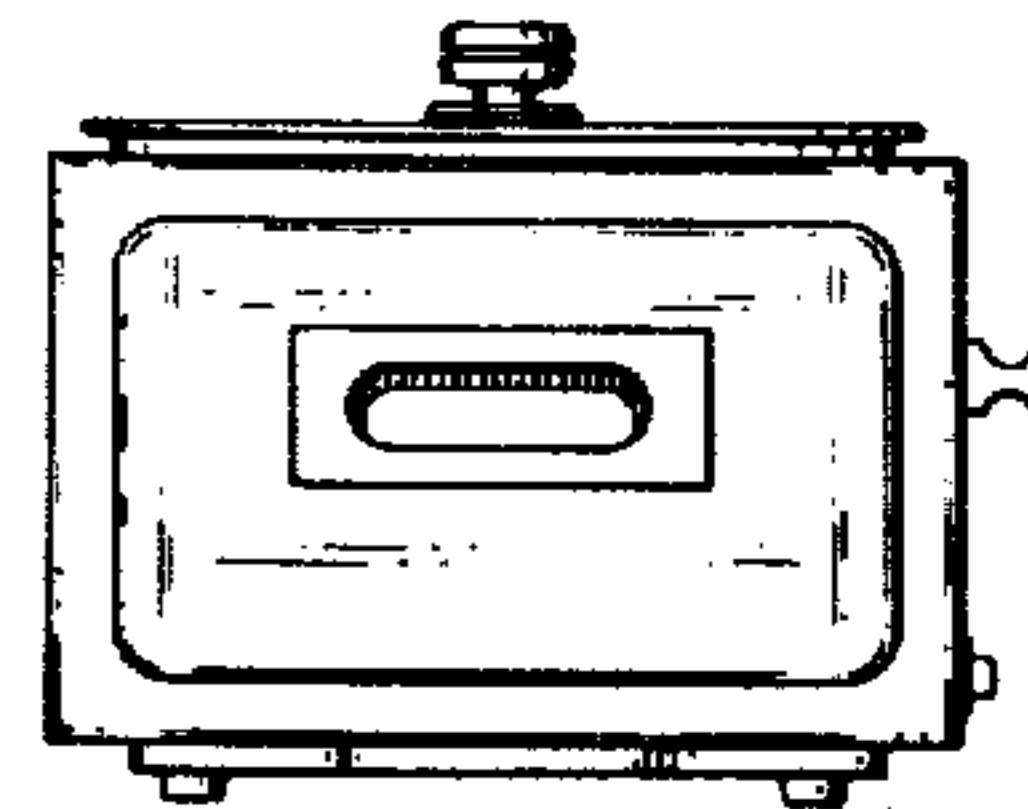
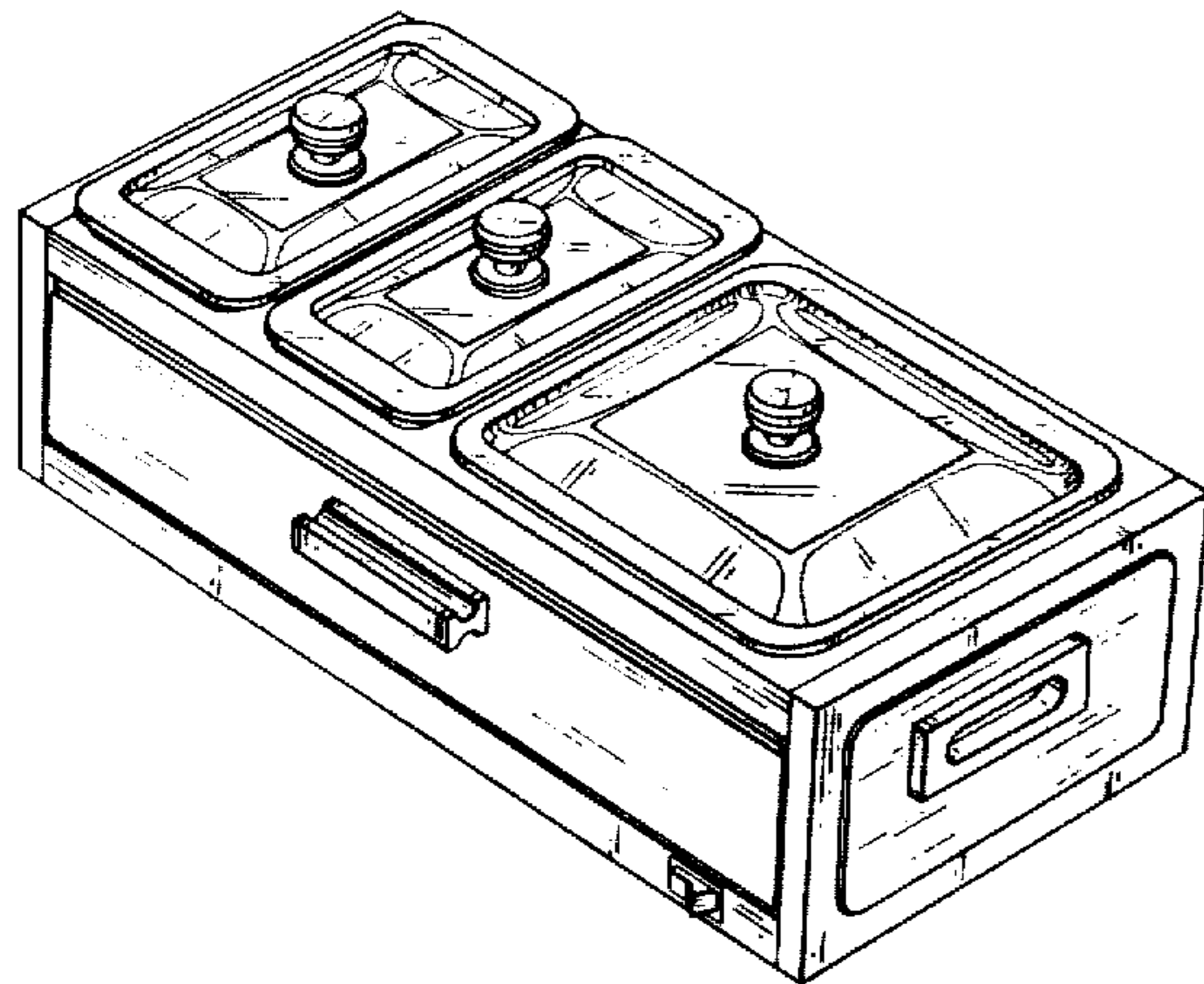
*Primary Examiner*—Winifred E. Herrmann  
*Attorney, Agent, or Firm*—Gregory J. Mancuso

[57] CLAIM

The ornamental design for a buffet server, substantially as shown and described.

DESCRIPTION

FIG. 1 is a top front perspective view of a buffet server showing our new design;  
 FIG. 2 is a left end elevational view thereof;  
 FIG. 3 is a front elevational view thereof;  
 FIG. 4 is a top plan view thereof;  
 FIG. 5 is a back elevational view thereof;  
 FIG. 6 is a bottom plan view thereof; and,  
 FIG. 7 is a top front perspective view of a modification of our buffet server of FIGS. 1-6.



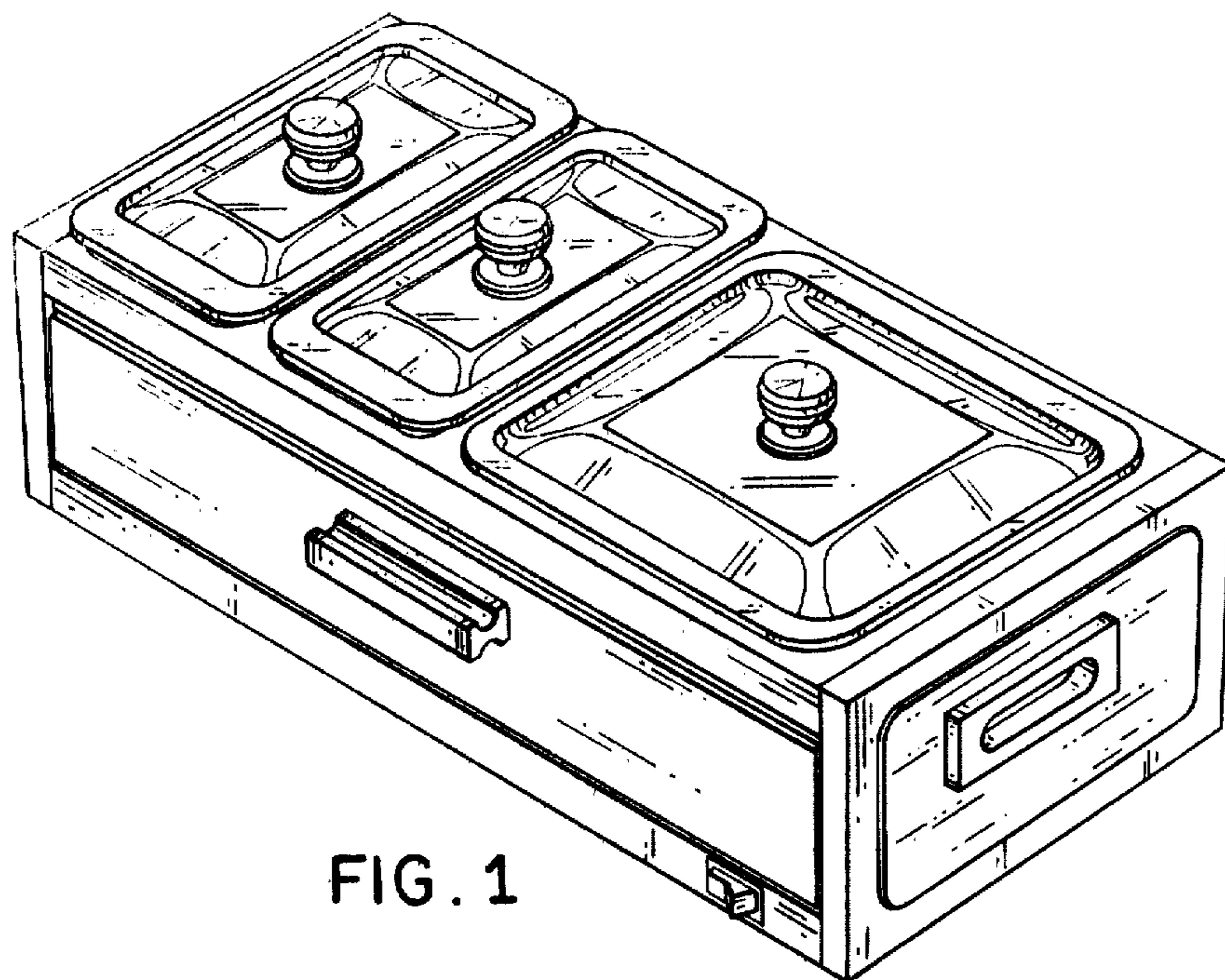


FIG. 1

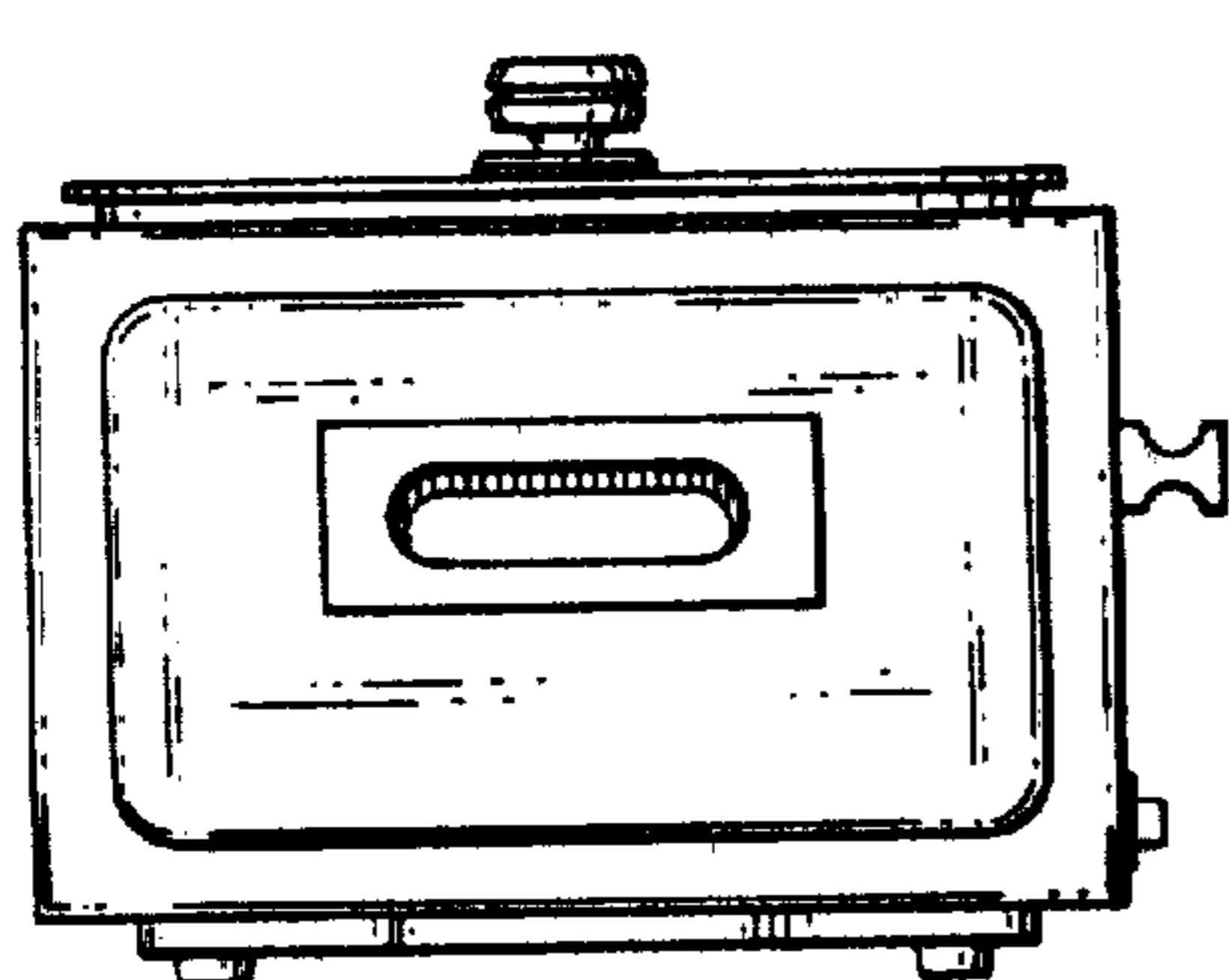


FIG. 2

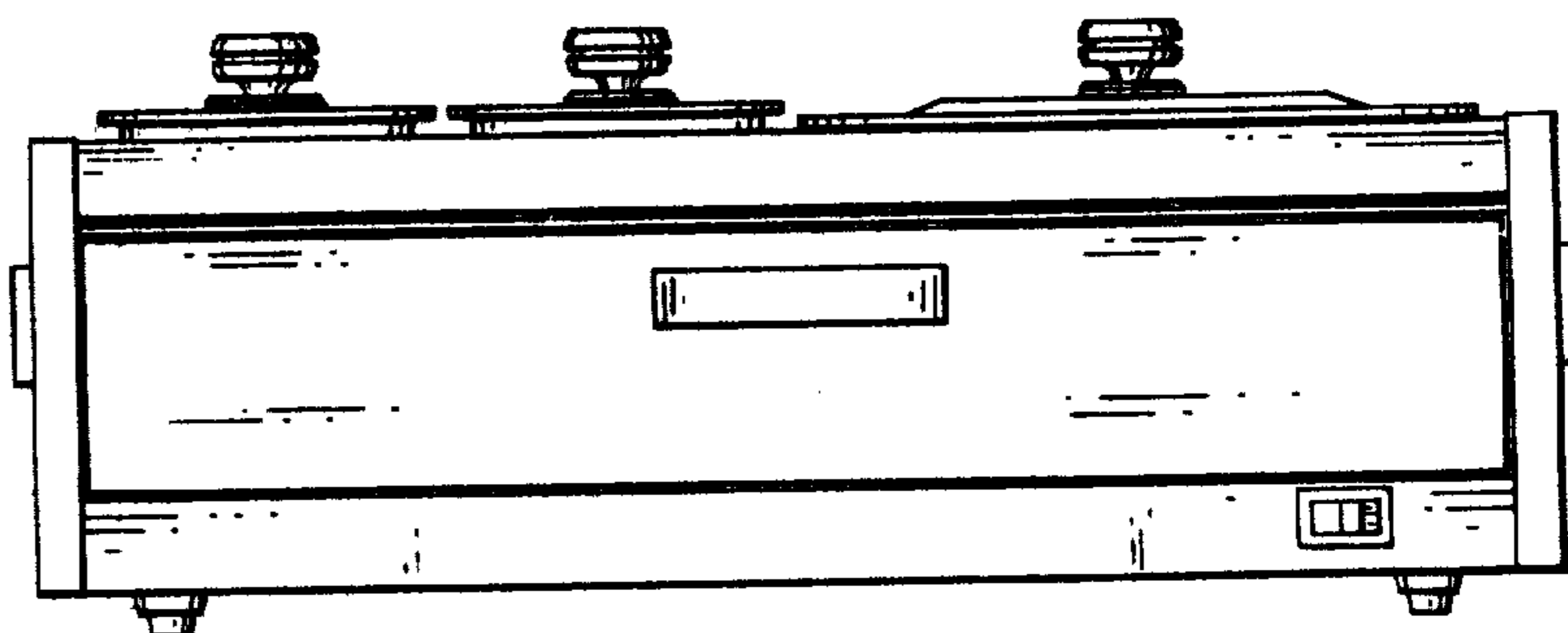


FIG. 3

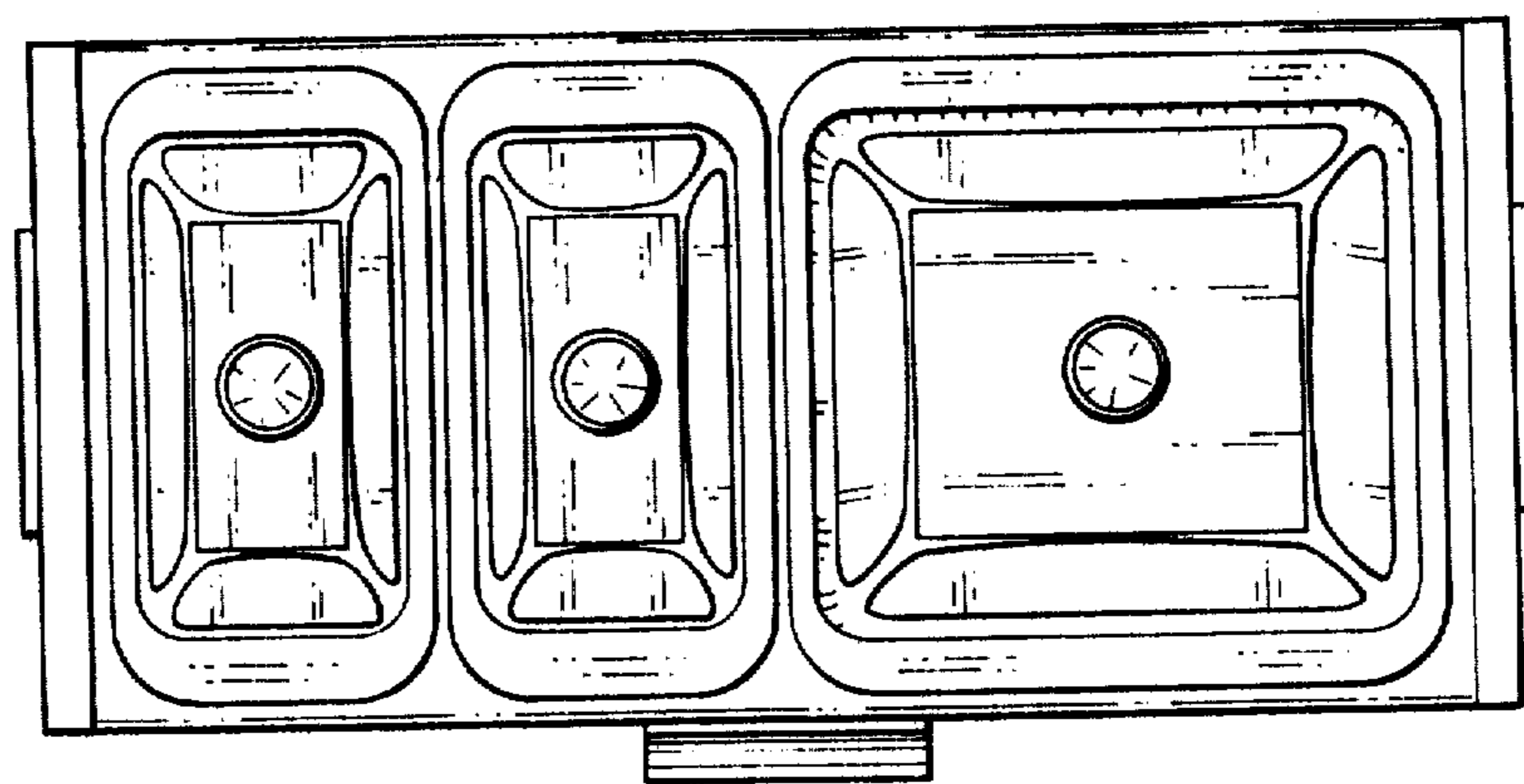


FIG. 4

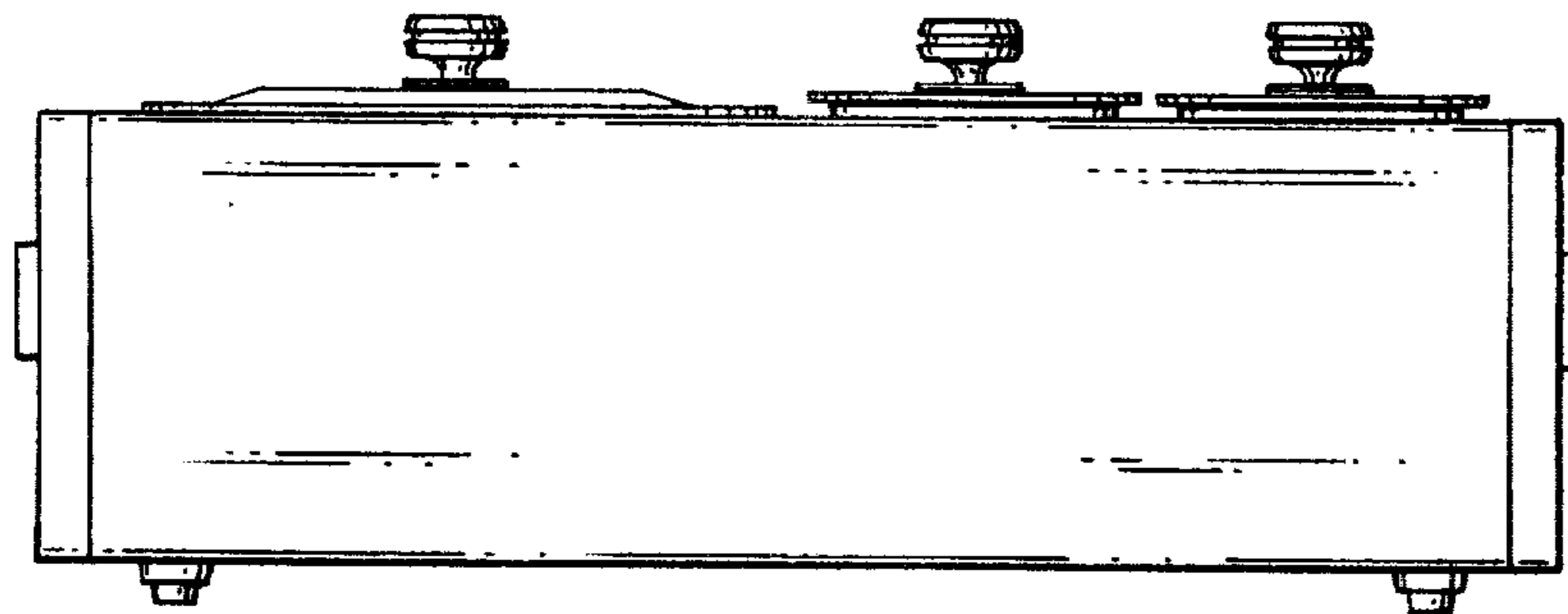


FIG. 5

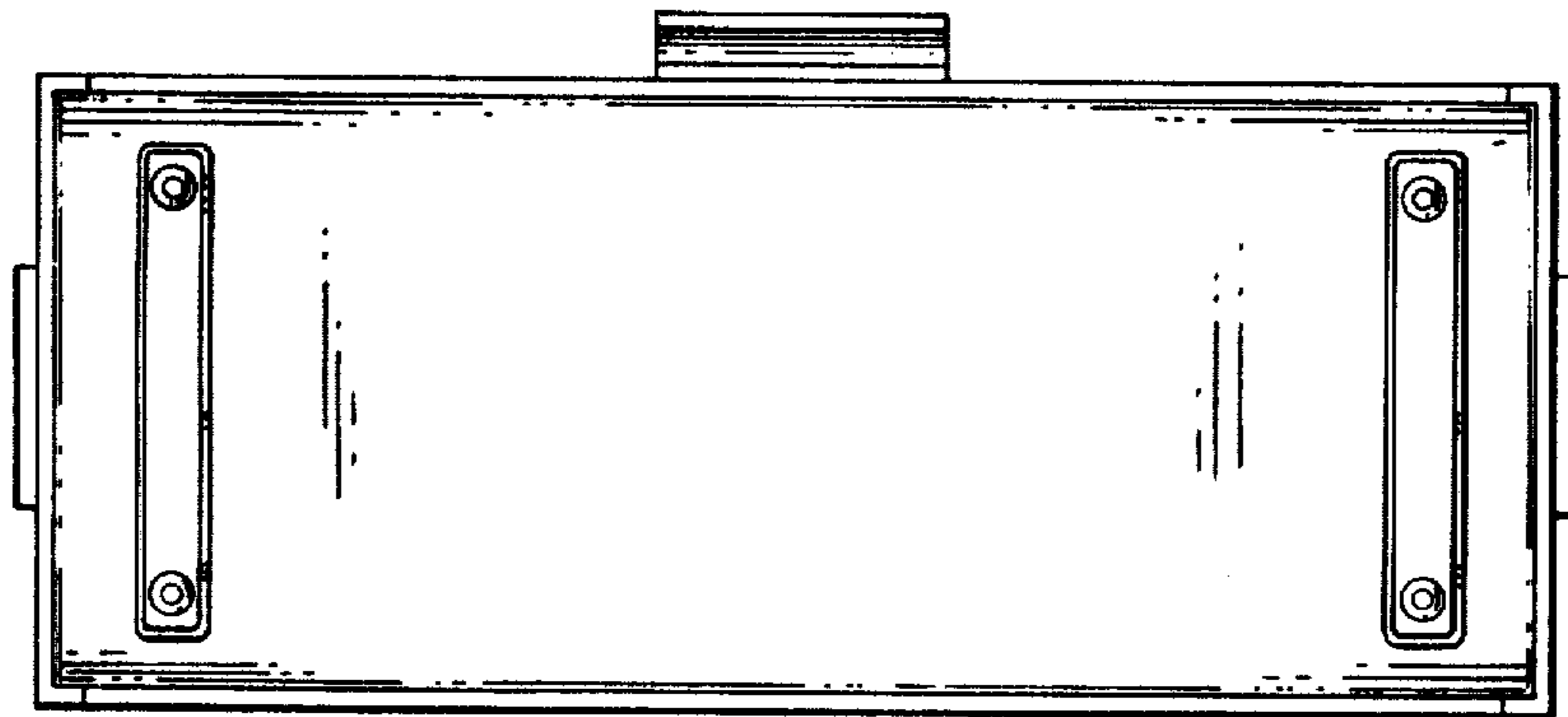


FIG. 6

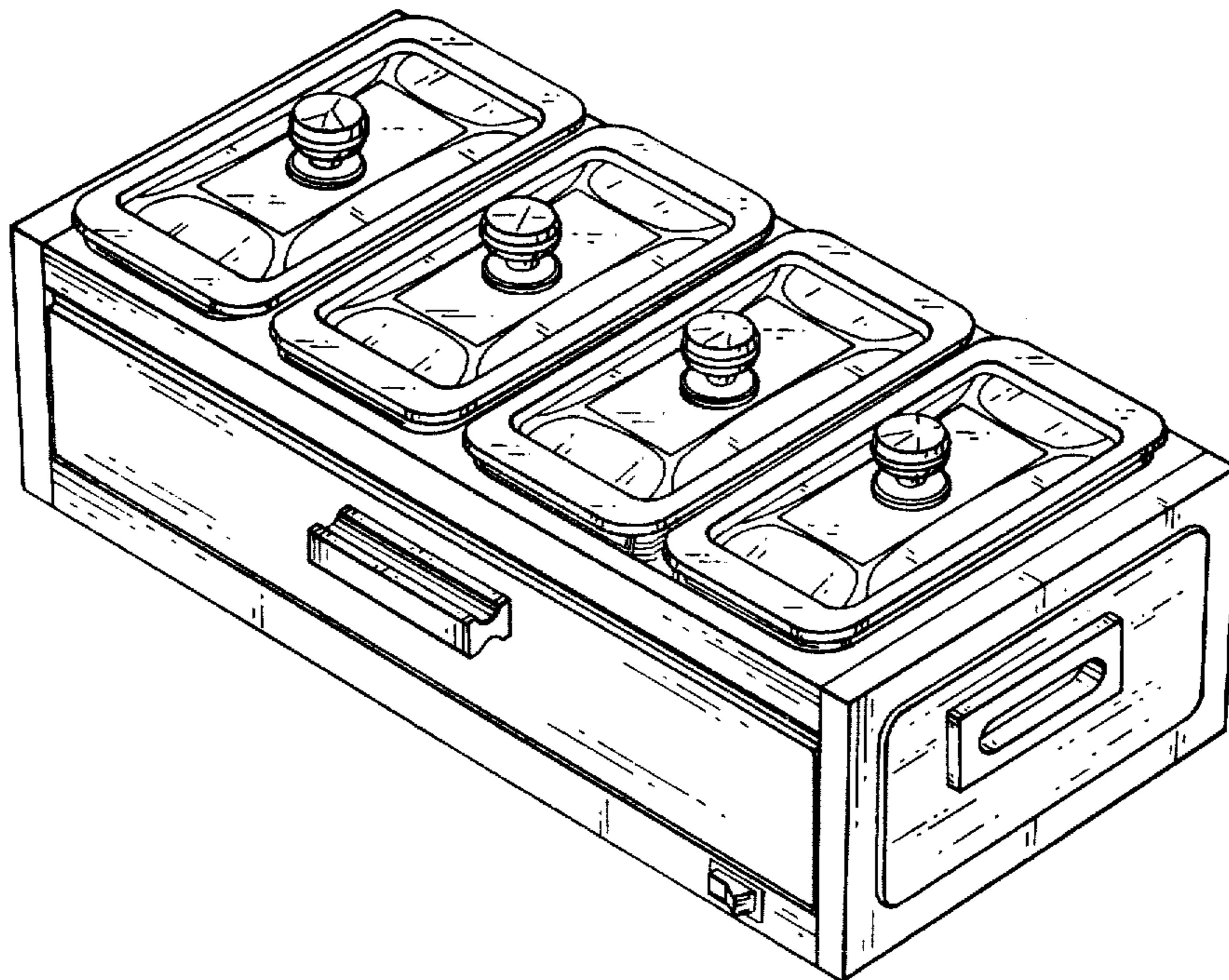


FIG. 7