

[54] BEVERAGE DISPENSER

[75] Inventor: Edward J. LaLumiere, Woburn, Mass.

[73] Assignee: Jet Spray Corp, Norwood, Mass.

[\*\*] Term: 14 Years

[21] Appl. No.: 334,874

[22] Filed: Dec. 28, 1981

[52] U.S. Cl. .... D7/311

[58] Field of Search ..... D7/311, 312, 300, 309; 62/389

[56] References Cited

U.S. PATENT DOCUMENTS

- D. 183,532 9/1958 McCauley ..... D7/311
- D. 254,184 2/1980 Martin et al. .... D7/311

OTHER PUBLICATIONS

Foodservice Equipment Dealer, Oct. 1973, p. 33, lower right, Beverage Dispenser.

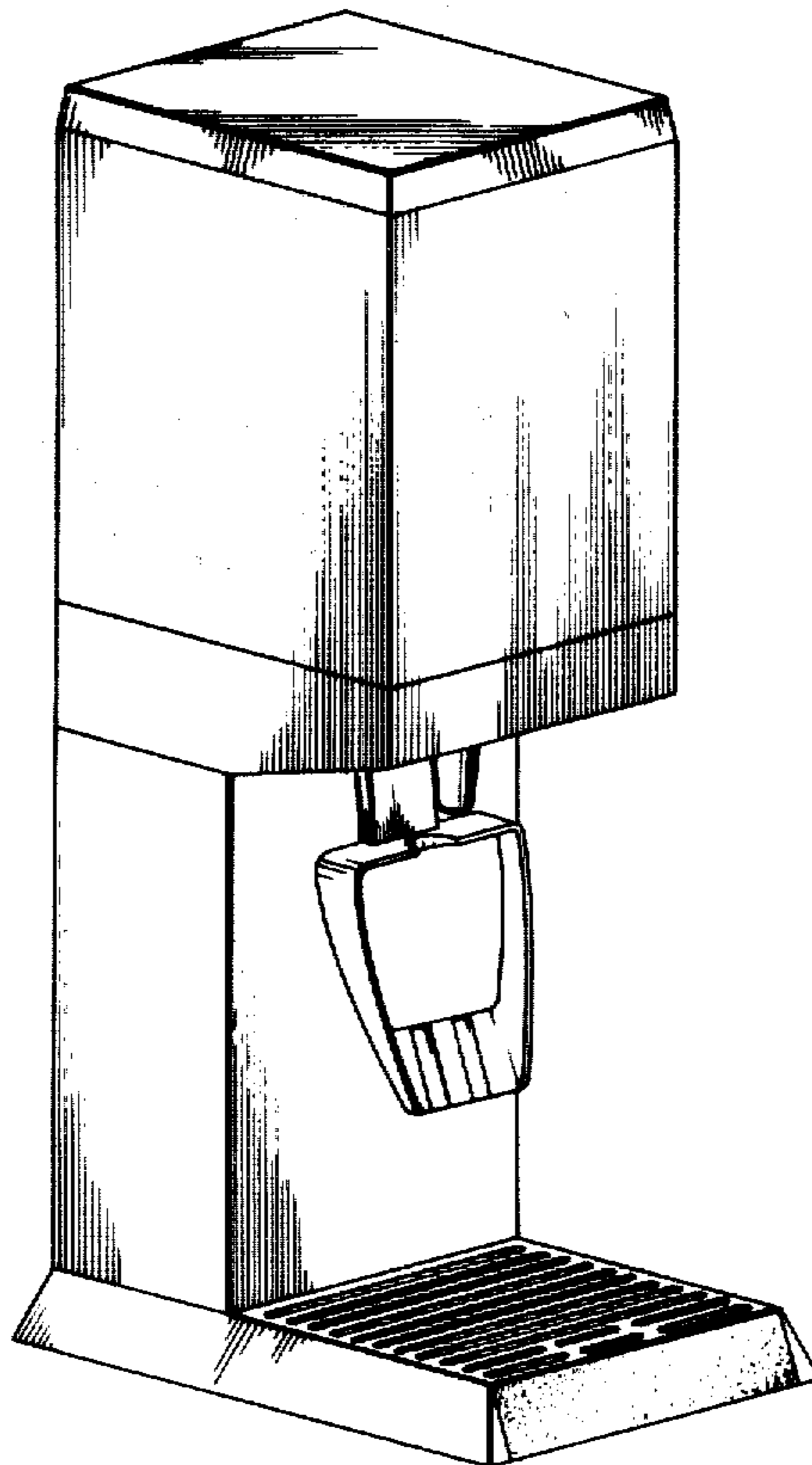
Primary Examiner—Melvin B. Feifer  
Attorney, Agent, or Firm—Wolf, Greenfield & Sacks

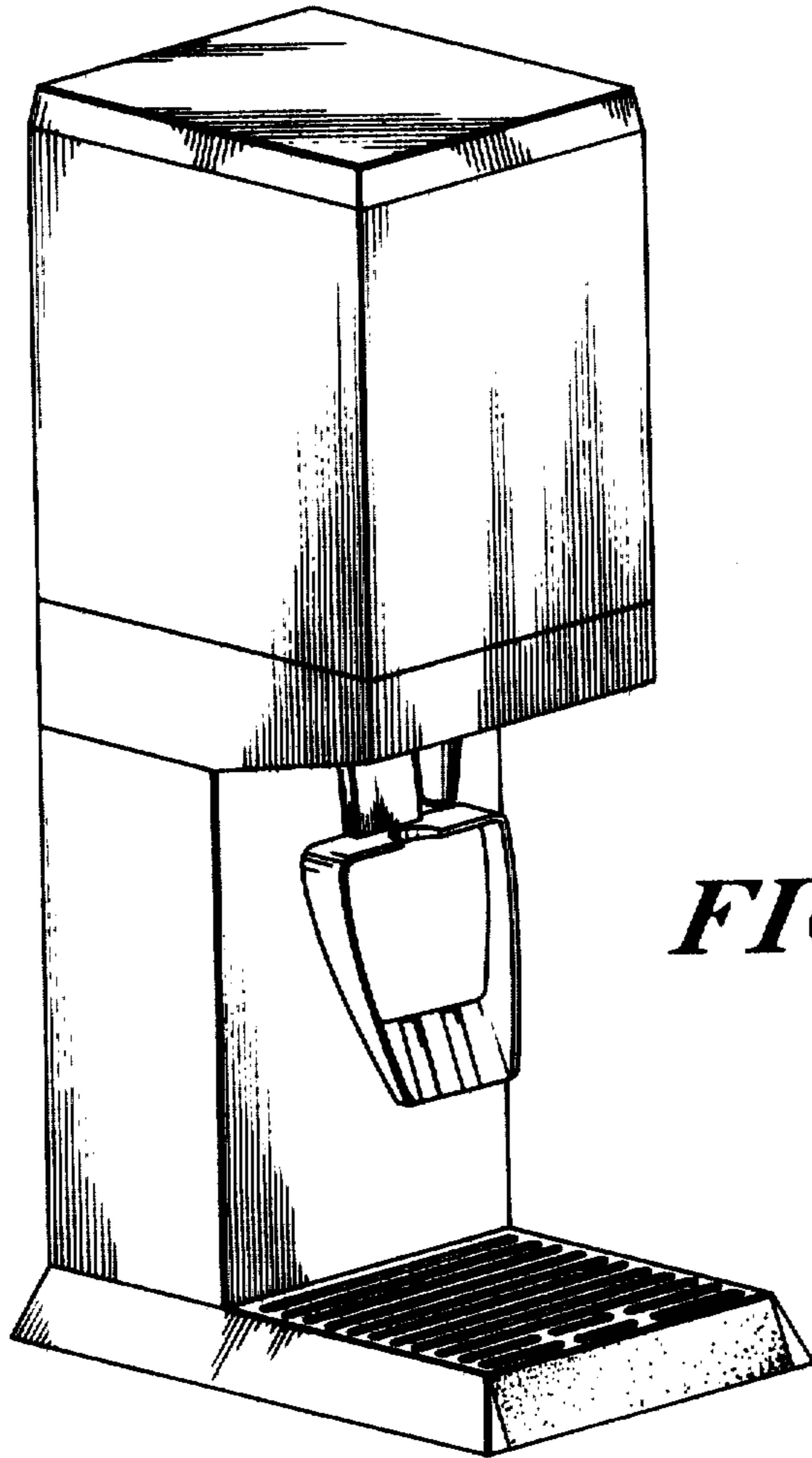
[57] CLAIM

The ornamental design for a beverage dispenser, as shown and described.

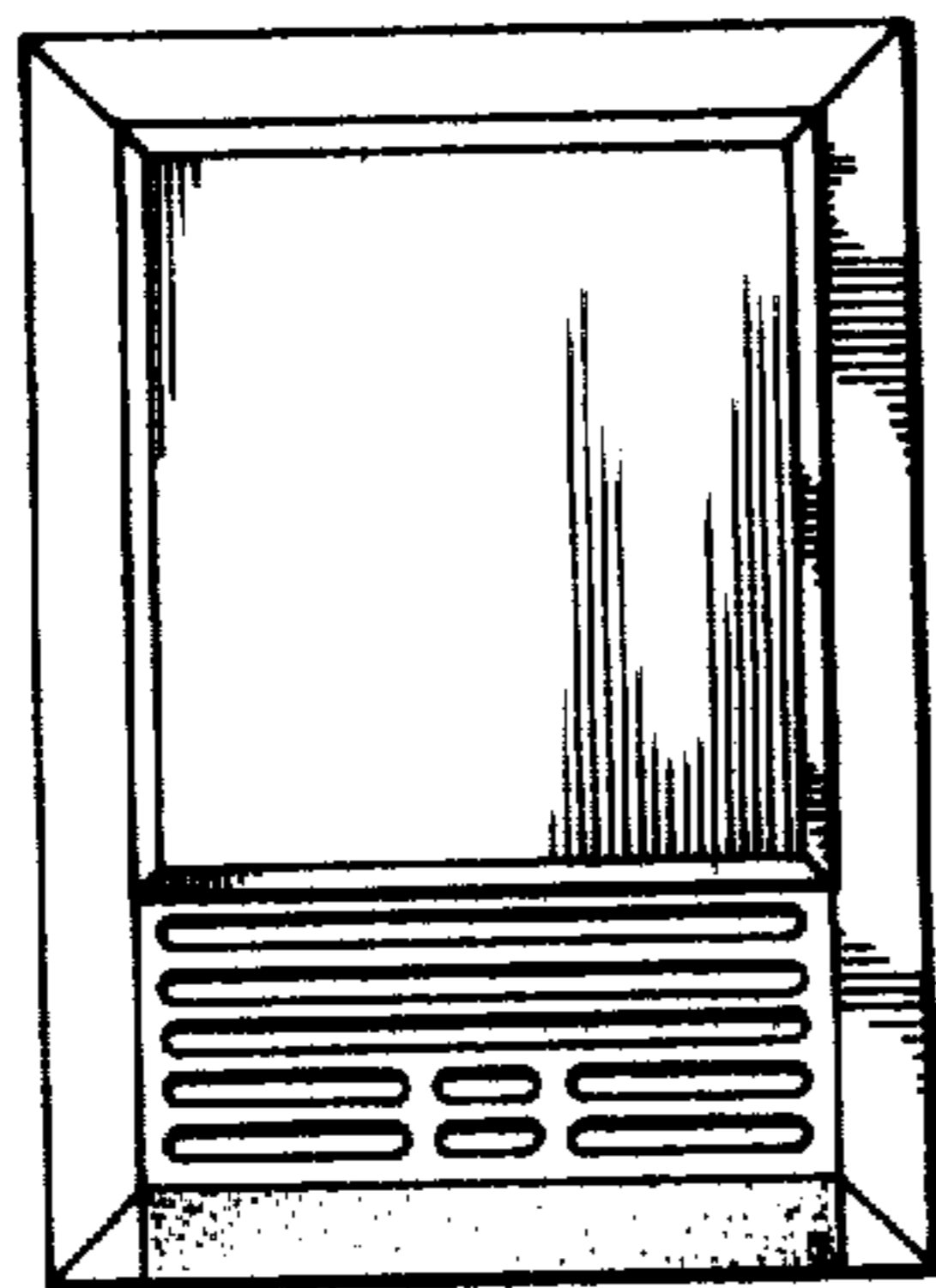
DESCRIPTION

FIG. 1 is a perspective view of a beverage dispenser showing my new design;  
 FIG. 2 is a front view thereof;  
 FIG. 3 is a left side view thereof;  
 FIG. 4 is a rear view thereof;  
 FIG. 5 is a top view thereof, and  
 FIG. 6 is a bottom view thereof.  
 The right side view, not shown, is the mirror image of the left side view shown in FIG. 3.

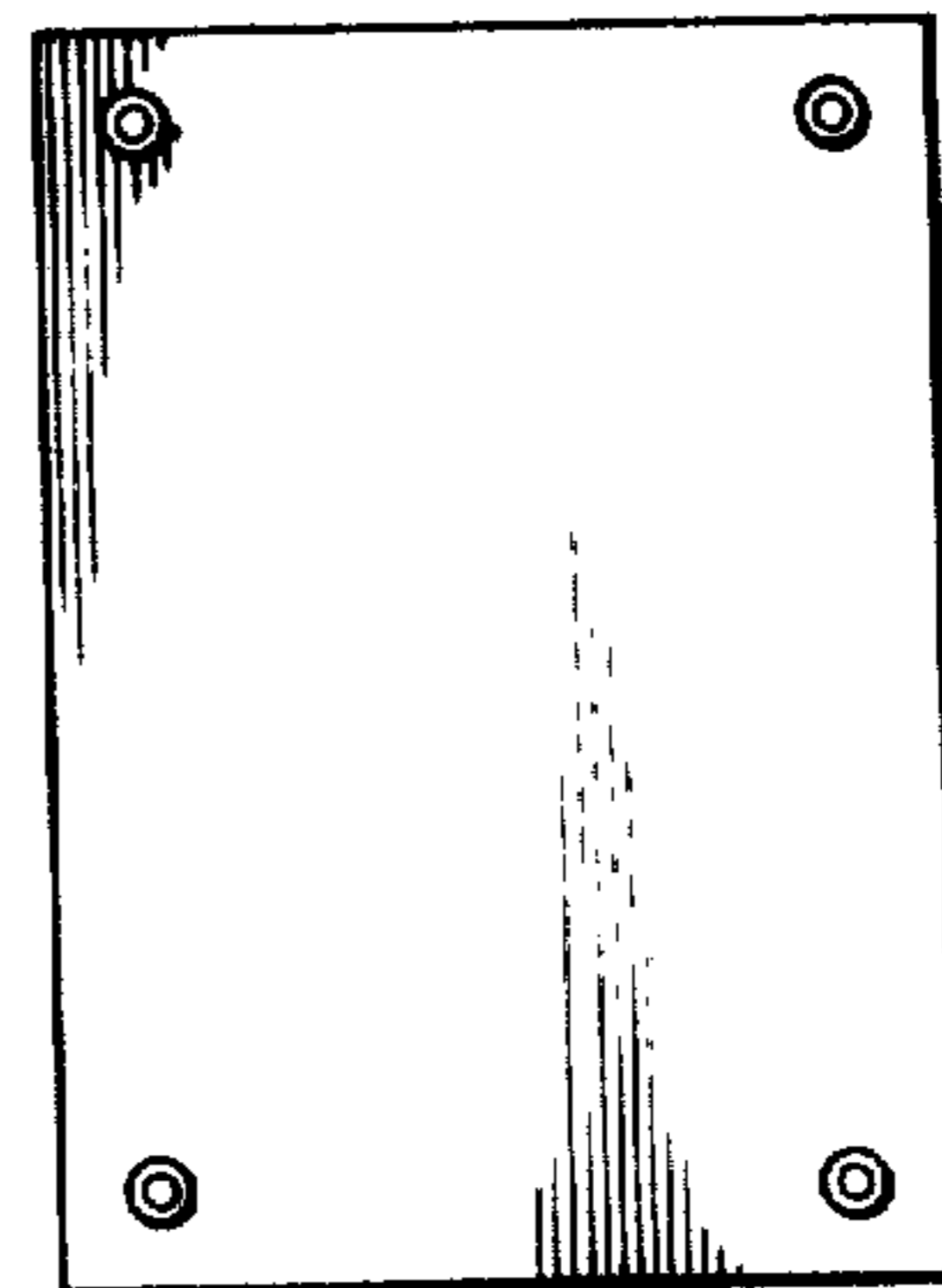




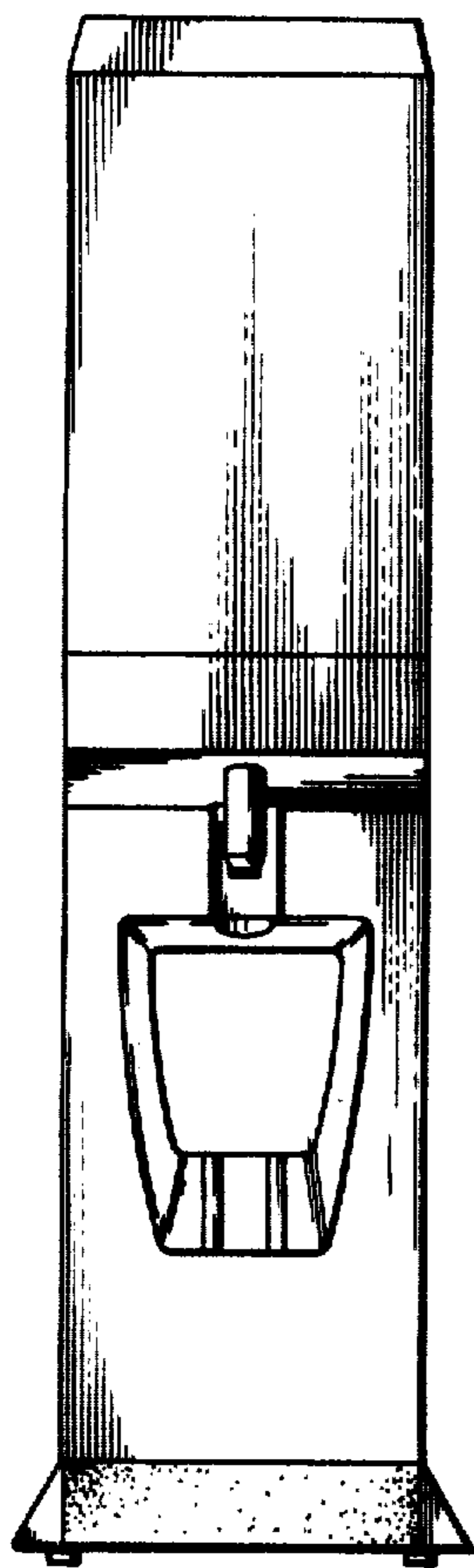
*FIG. 1*



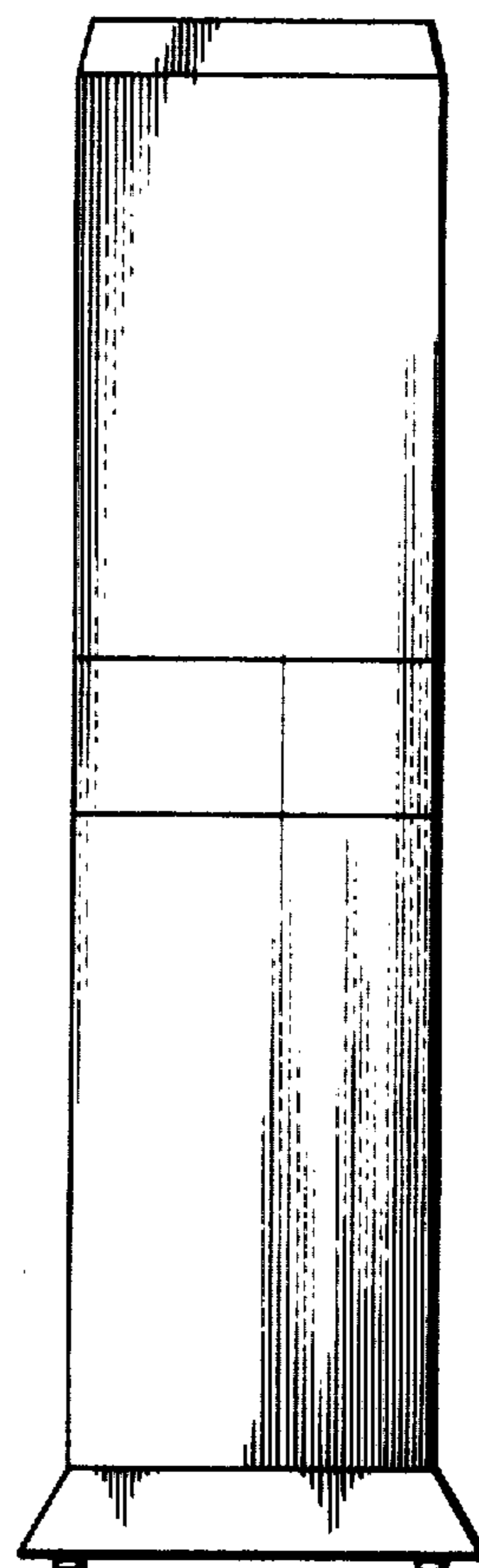
*FIG. 5*



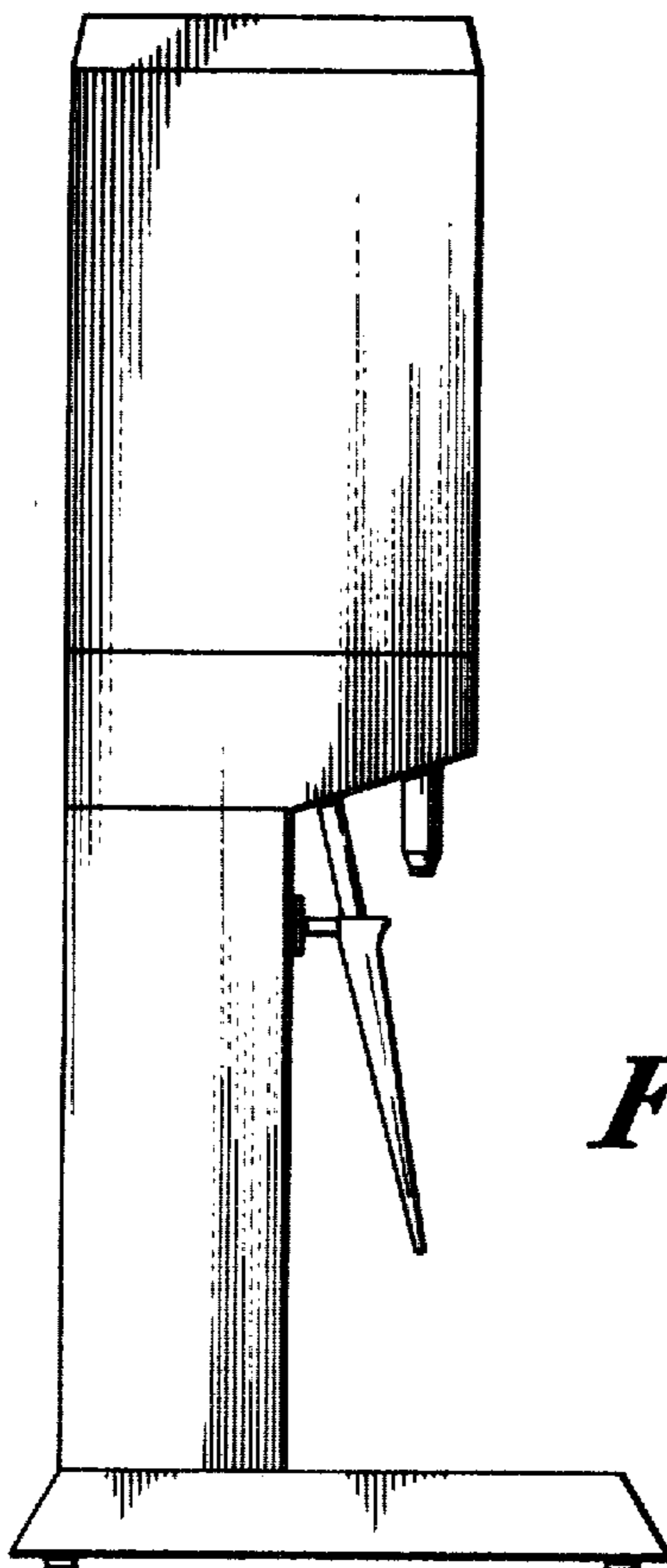
*FIG. 6*



**FIG. 2**



**FIG. 4**



**FIG. 3**