

[54] COMBINED SIFTER AND CONTAINER OR THE LIKE

[75] Inventor: Pieter K. J. De Coster, Aalst, Belgium

[73] Assignee: Dart Industries Inc., Northbrook, Ill.

[**] Term: 14 Years

[21] Appl. No.: 289,423

[22] Filed: Aug. 3, 1981

[52] U.S. Cl. D7/47

[58] Field of Search D7/47; 209/236, 233, 209/357, 408, 417, 282

[56] References Cited

U.S. PATENT DOCUMENTS

- D. 126,358 4/1941 Collier D7/47
- D. 148,769 2/1948 Davis D7/47
- D. 161,679 1/1951 Chester D7/47

- D. 185,399 6/1959 Tupper D7/47
- 747,092 12/1903 Senechal 209/357
- 2,674,375 4/1954 Clay D7/47 X
- 2,967,619 1/1961 Glenny 209/357
- 3,627,128 12/1971 Ostrowsky D7/47 X

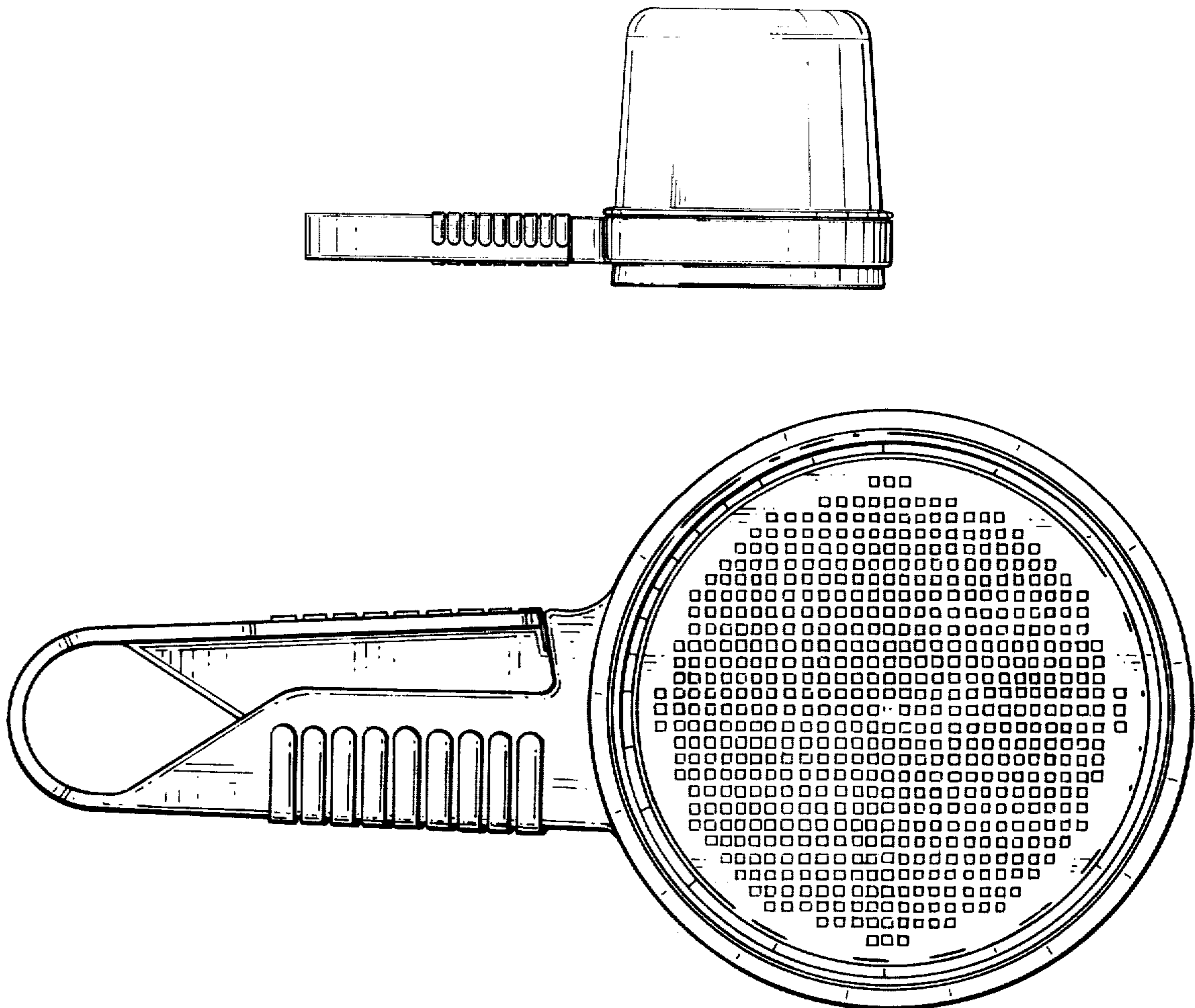
Primary Examiner—Winifred E. Herrmann
Attorney, Agent, or Firm—Leigh B. Taylor

[57] CLAIM

The ornamental design for a combined sifter and container or the like, substantially as shown.

DESCRIPTION

FIG. 1 is a top perspective view of a combined sifter and container or the like showing my new design; FIG. 2 is a side elevational view thereof; FIG. 3 is a top plan view thereof; FIG. 4 is a bottom plan view thereof; FIG. 5 is a front elevational view thereof; and FIG. 6 is a rear elevational view thereof.



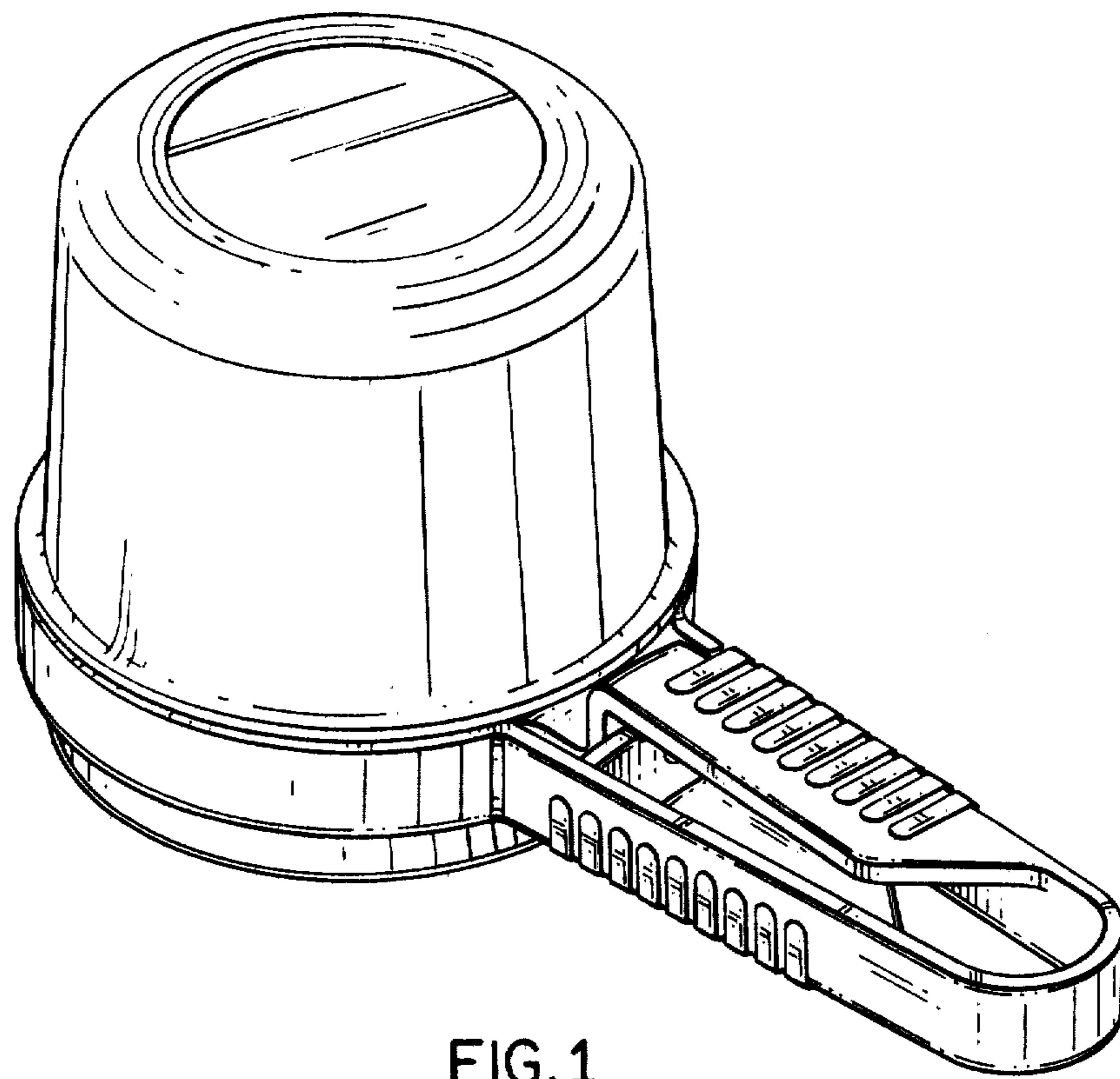


FIG. 1

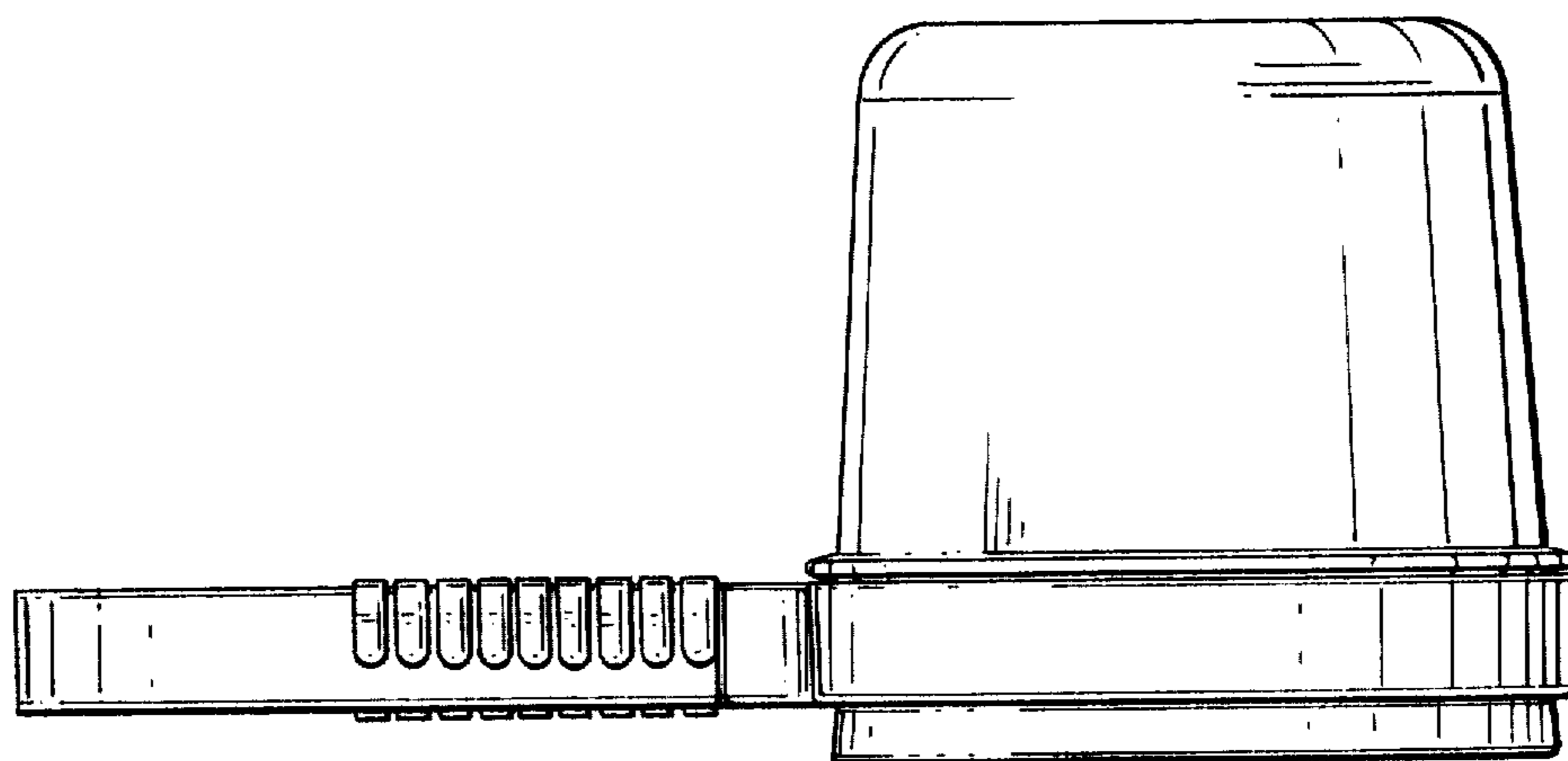


FIG. 2

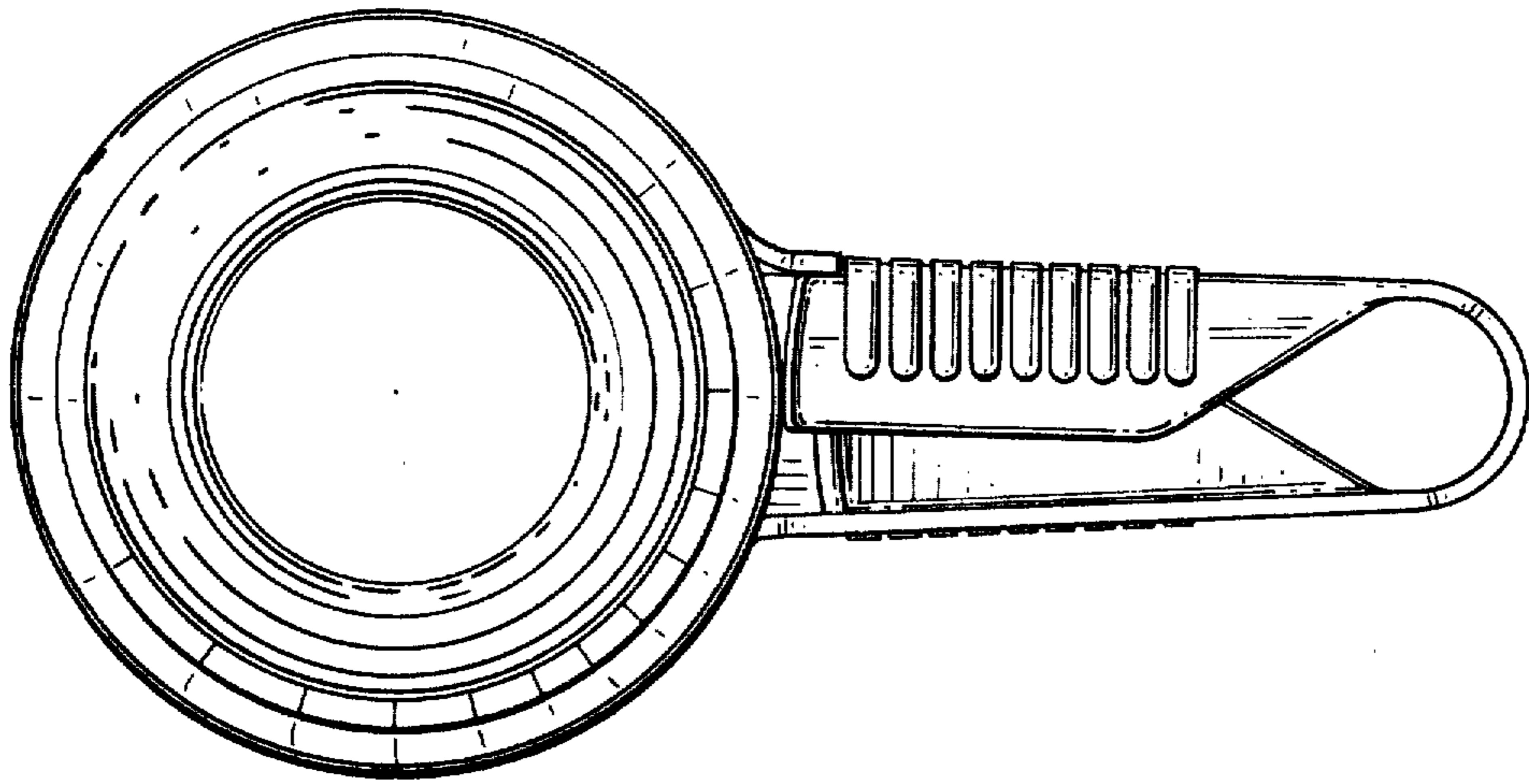


FIG. 3

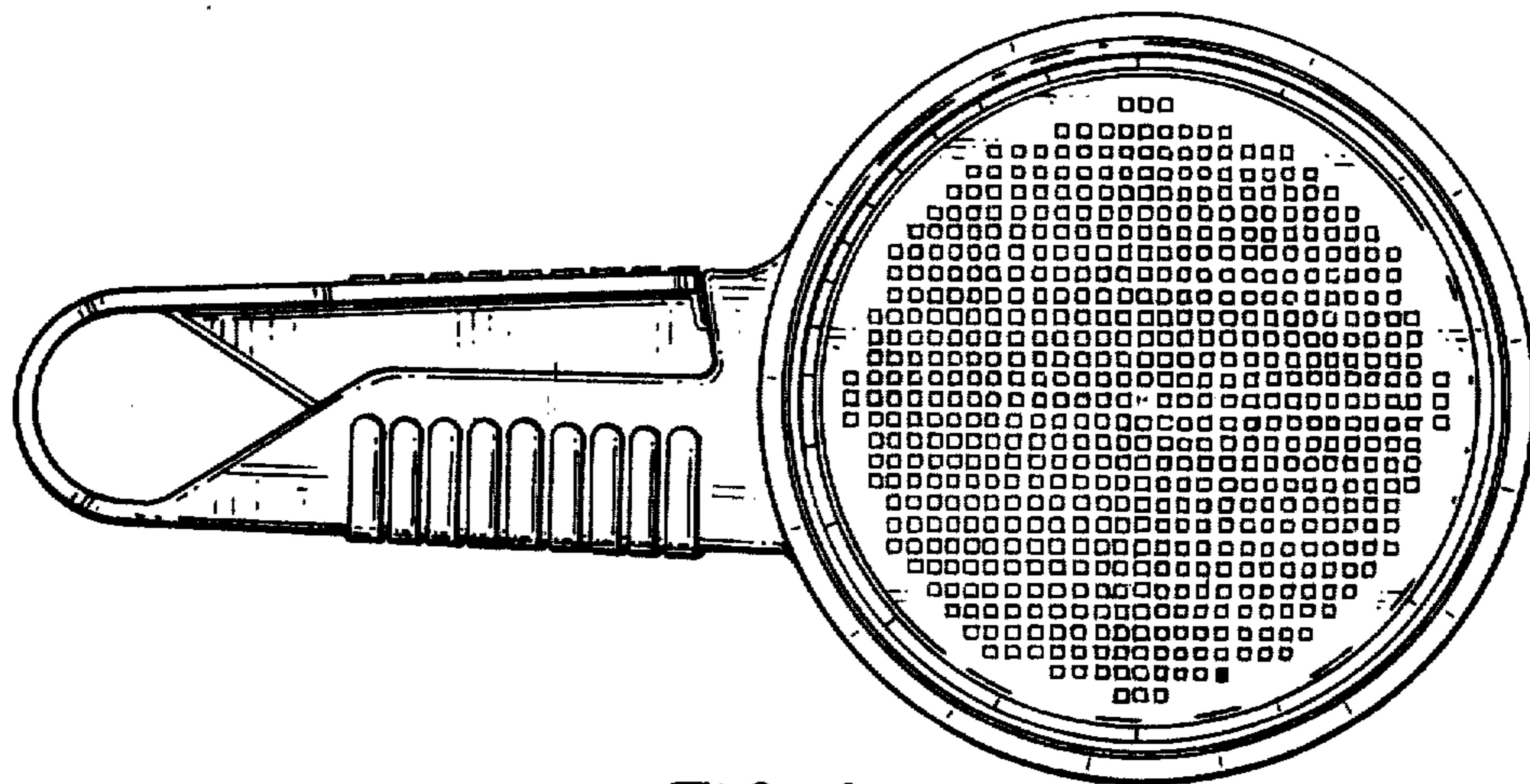


FIG. 4

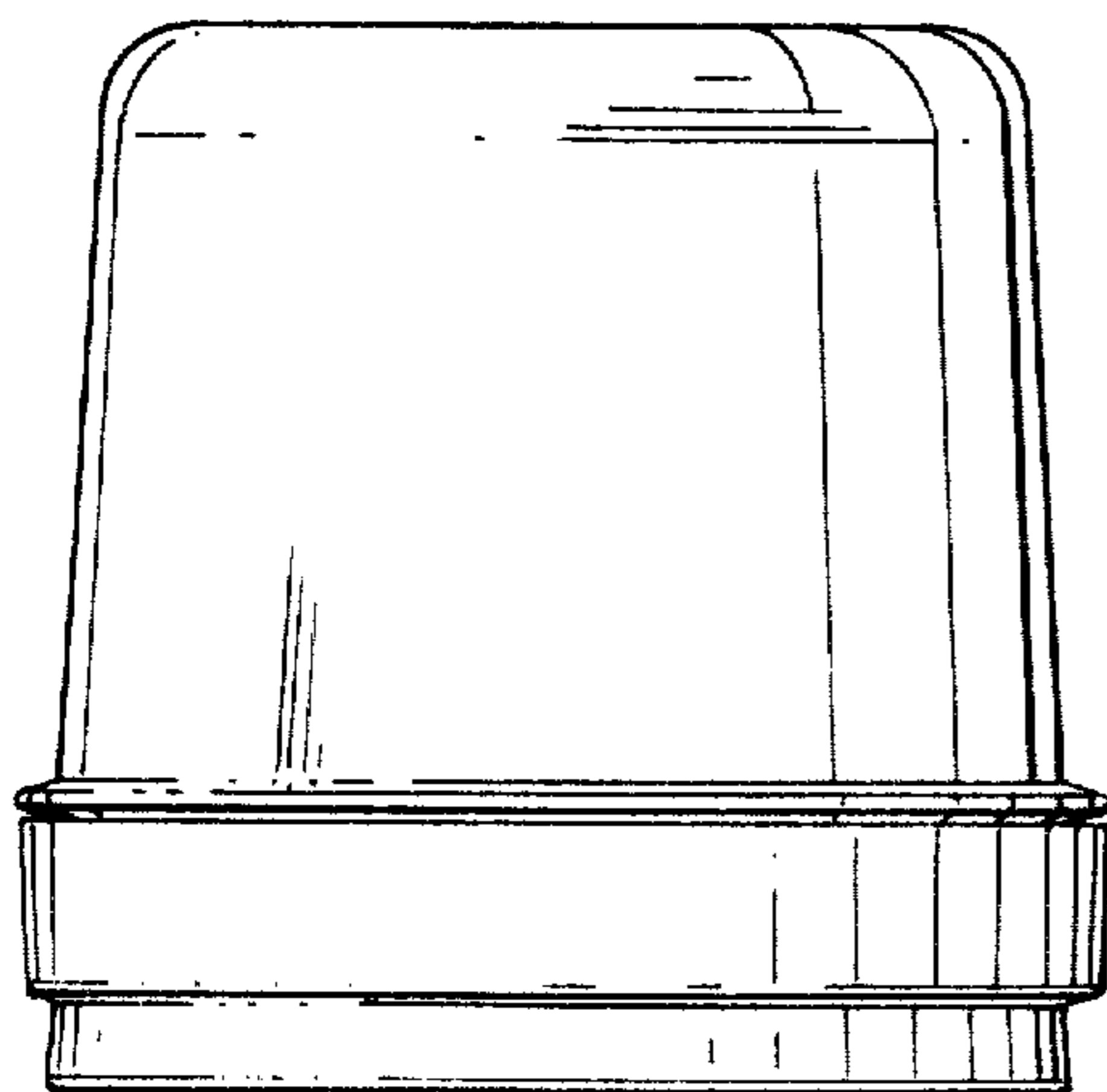


FIG. 5

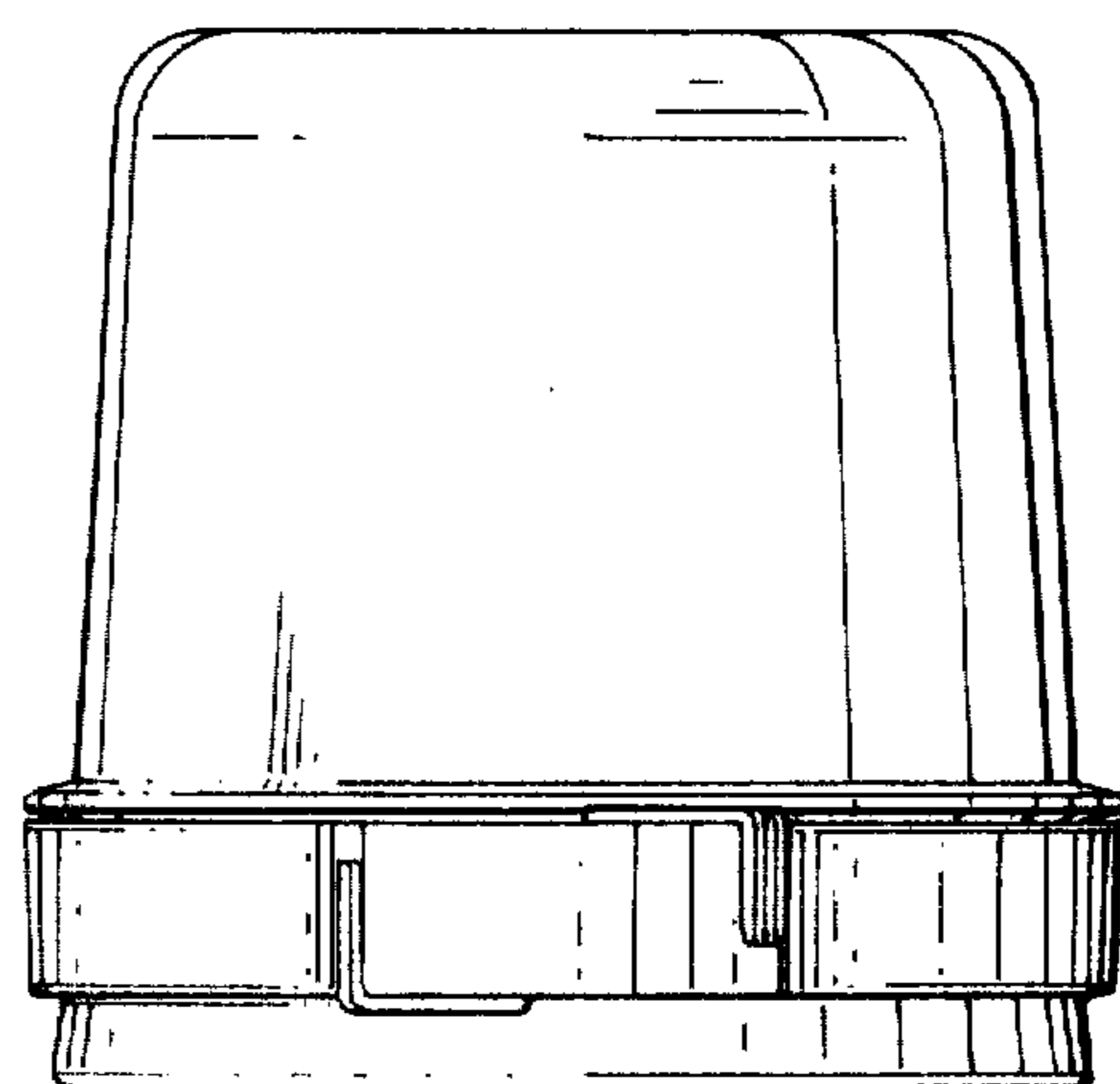


FIG. 6