

[54] SIFTER OR THE LIKE  
 [75] Inventor: Pieter K. J. De Coster, Aalst, Belgium  
 [73] Assignee: Dart Industries Inc., Northbrook, Ill.  
 [\*\*] Term: 14 Years  
 [21] Appl. No.: 289,421  
 [22] Filed: Aug. 3, 1981  
 [52] U.S. Cl. .... D7/47  
 [58] Field of Search ..... D7/47; 209/236, 233, 209/357, 408, 417, 282

747,092 12/1903 Senechal ..... 209/357  
 2,967,619 1/1961 Glenny ..... 209/357  
 3,627,128 12/1971 Ostrowsky ..... D7/47 X

Primary Examiner—Winifred E. Herrmann  
 Attorney, Agent, or Firm—Leigh B. Taylor

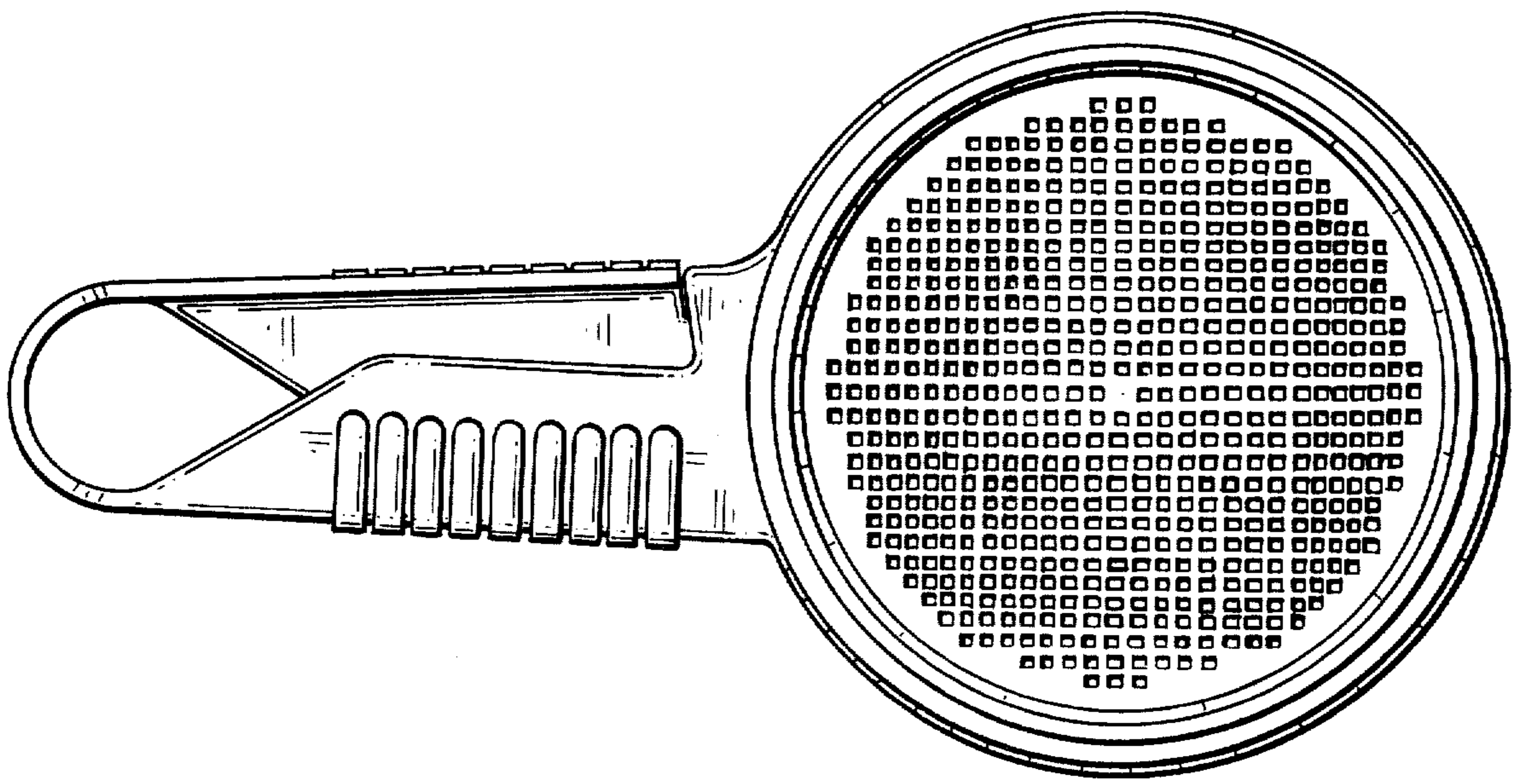
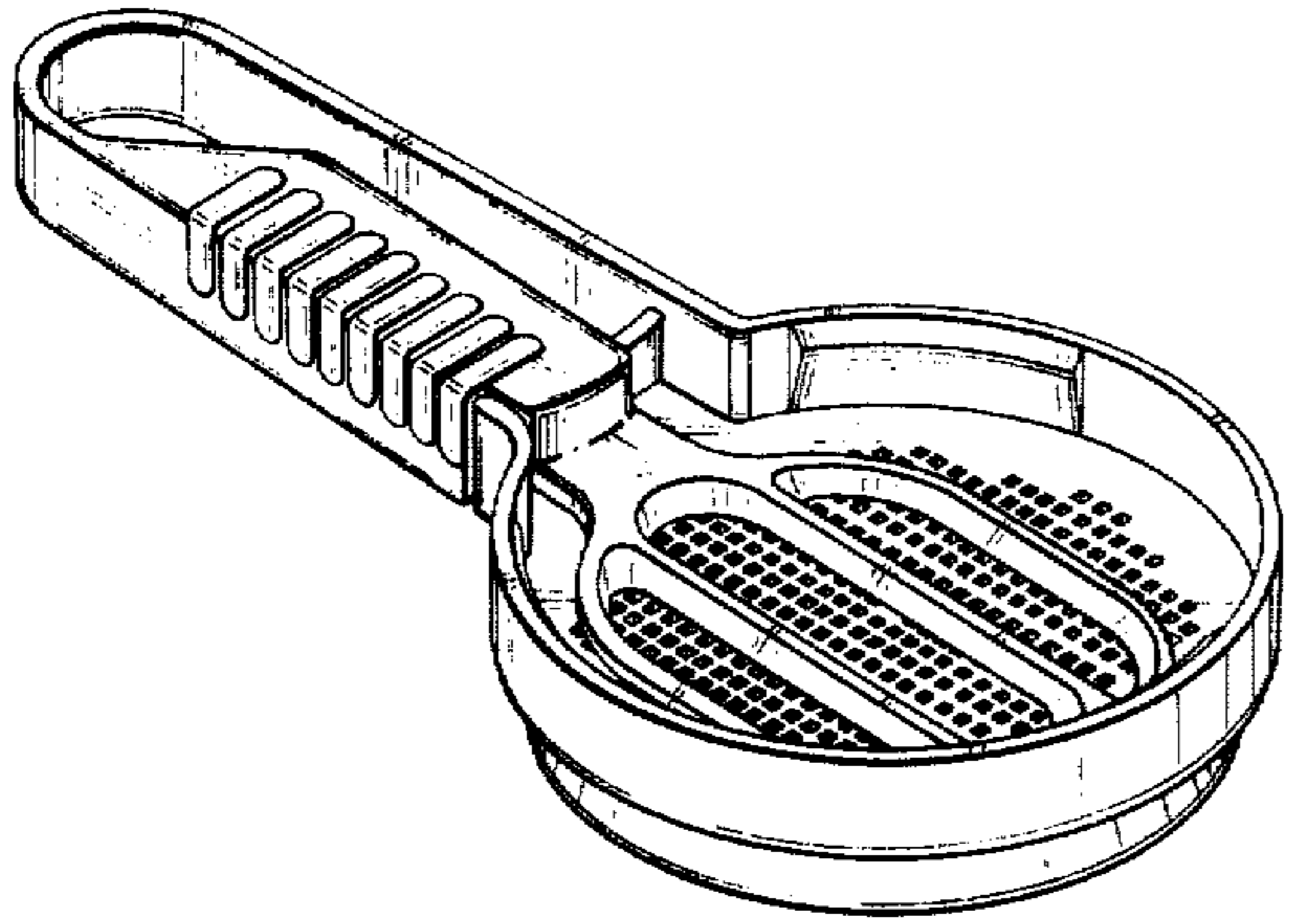
[57] CLAIM

The ornamental design for a sifter or the like, substantially as shown.

DESCRIPTION

FIG. 1 is a top perspective view of a sifter or the like showing my new design;  
 FIG. 2 is another top perspective view thereof;  
 FIG. 3 is a side elevational view thereof;  
 FIG. 4 is a top plan view thereof;  
 FIG. 5 is a bottom plan view thereof;  
 FIG. 6 is a rear elevational view thereof; and  
 FIG. 7 is a front elevational view thereof.

[56] References Cited  
 U.S. PATENT DOCUMENTS  
 D. 126,358 4/1941 Collier ..... D7/47  
 D. 161,679 1/1951 Chester ..... D7/47  
 D. 185,399 6/1959 Tupper ..... D7/47



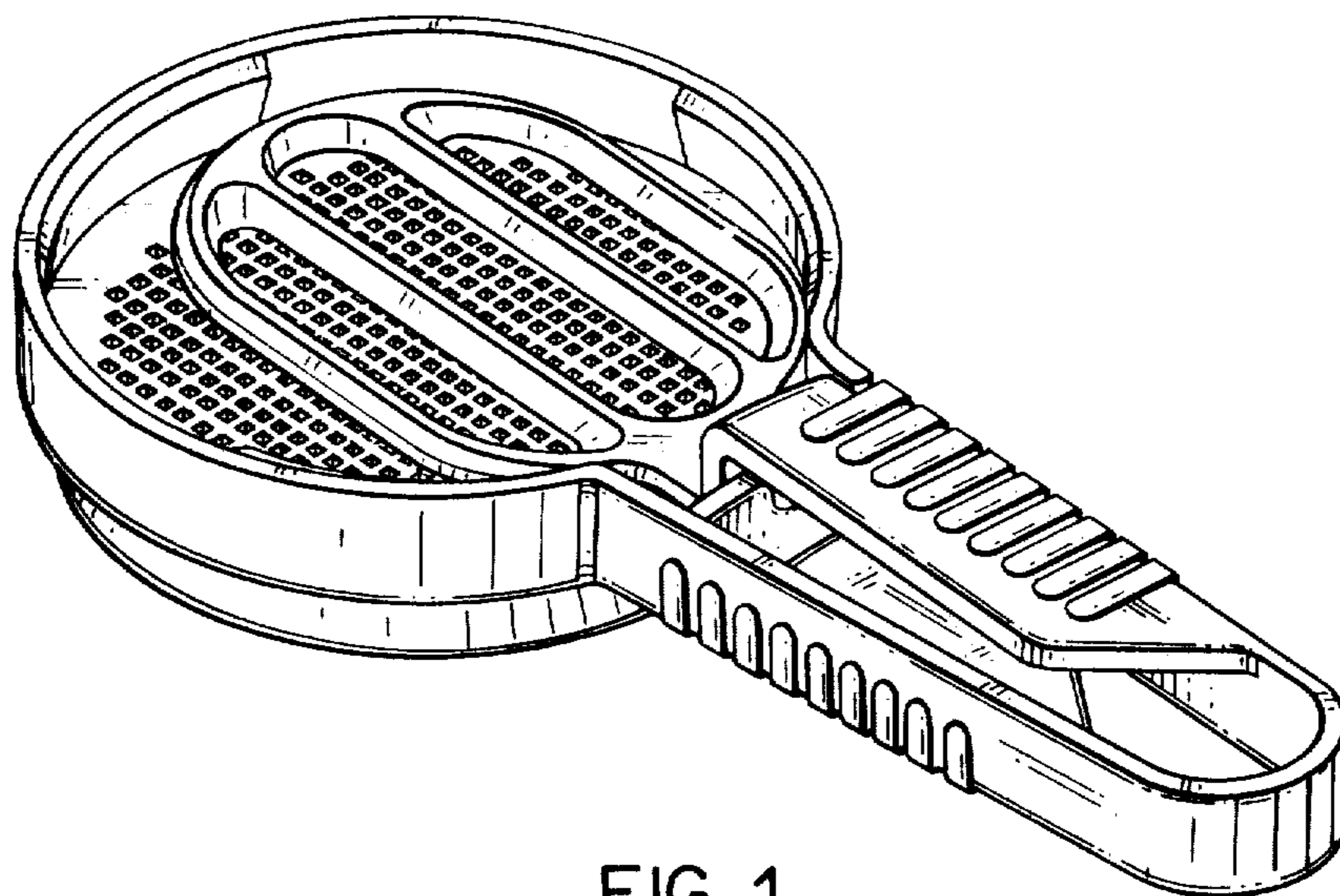


FIG. 1

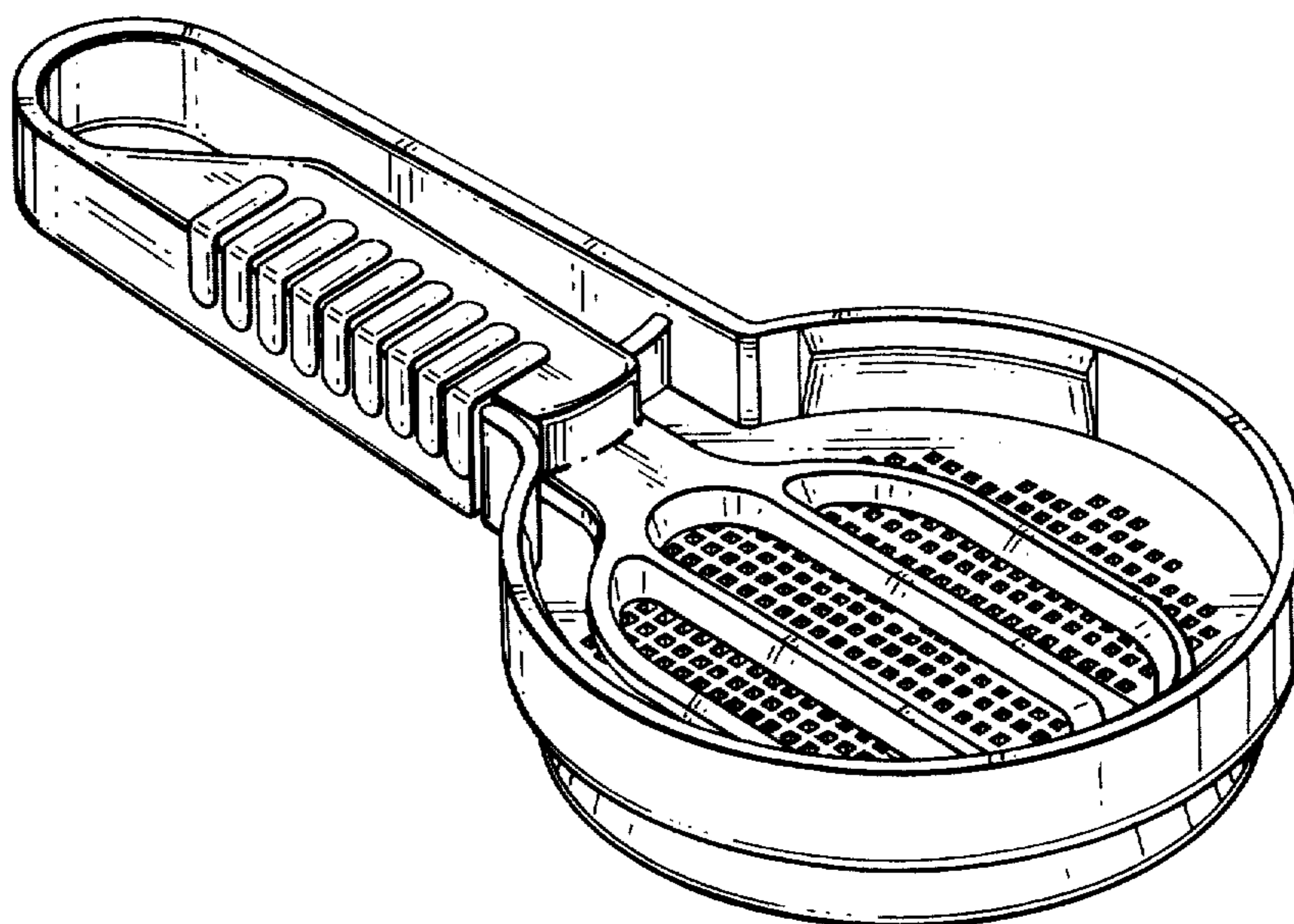


FIG. 2

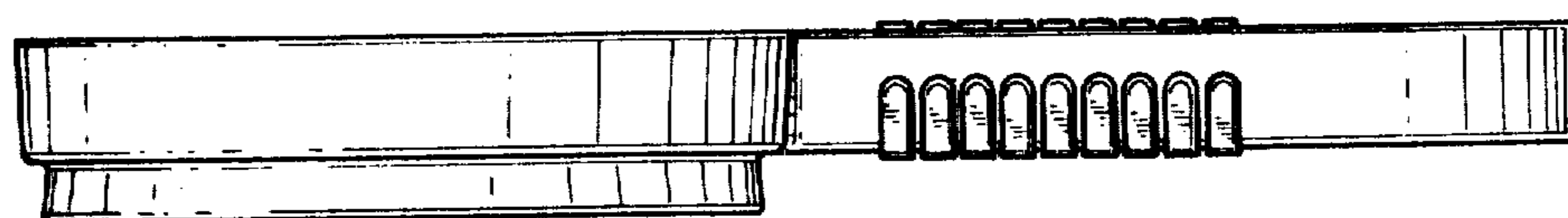


FIG. 3



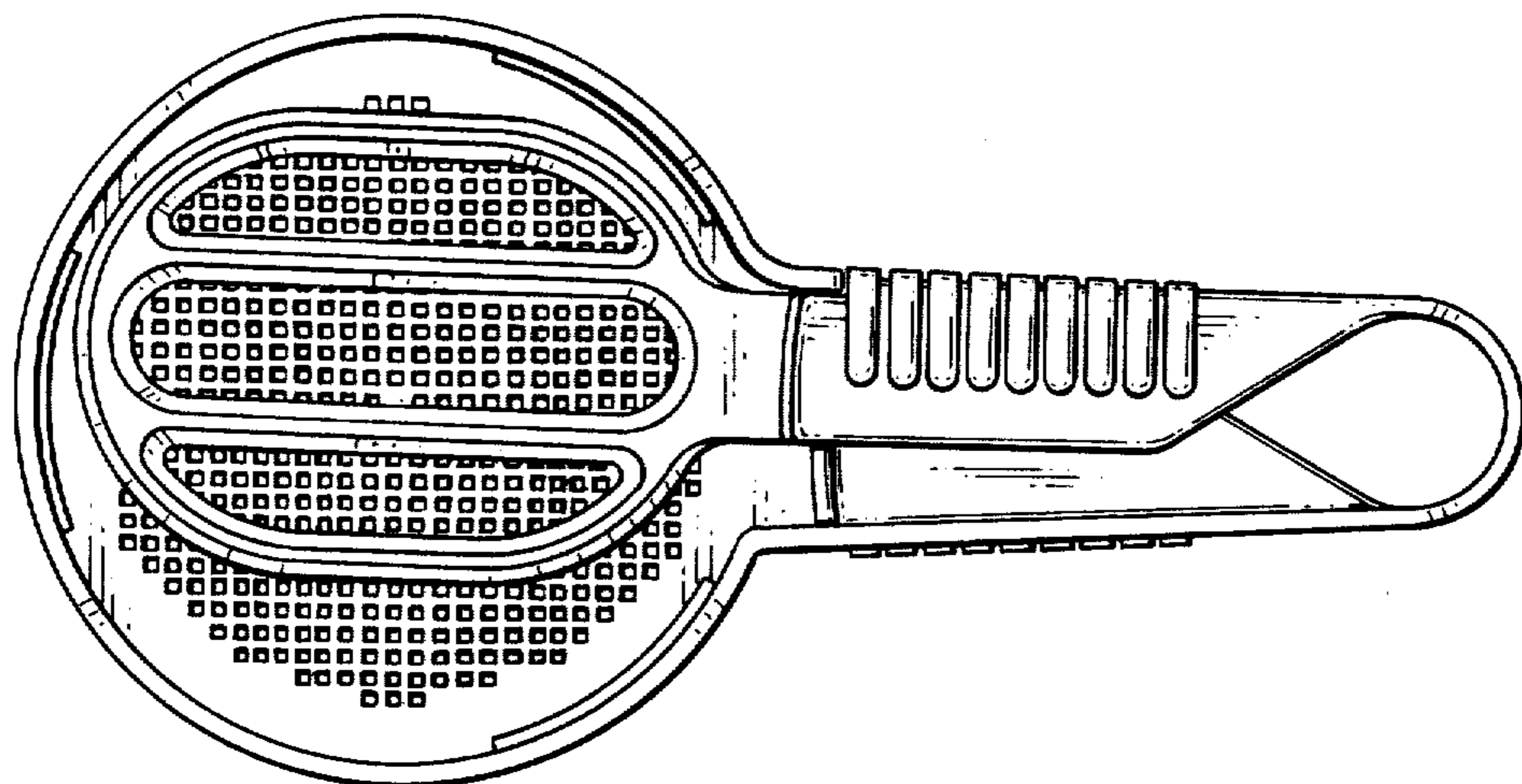


FIG. 4

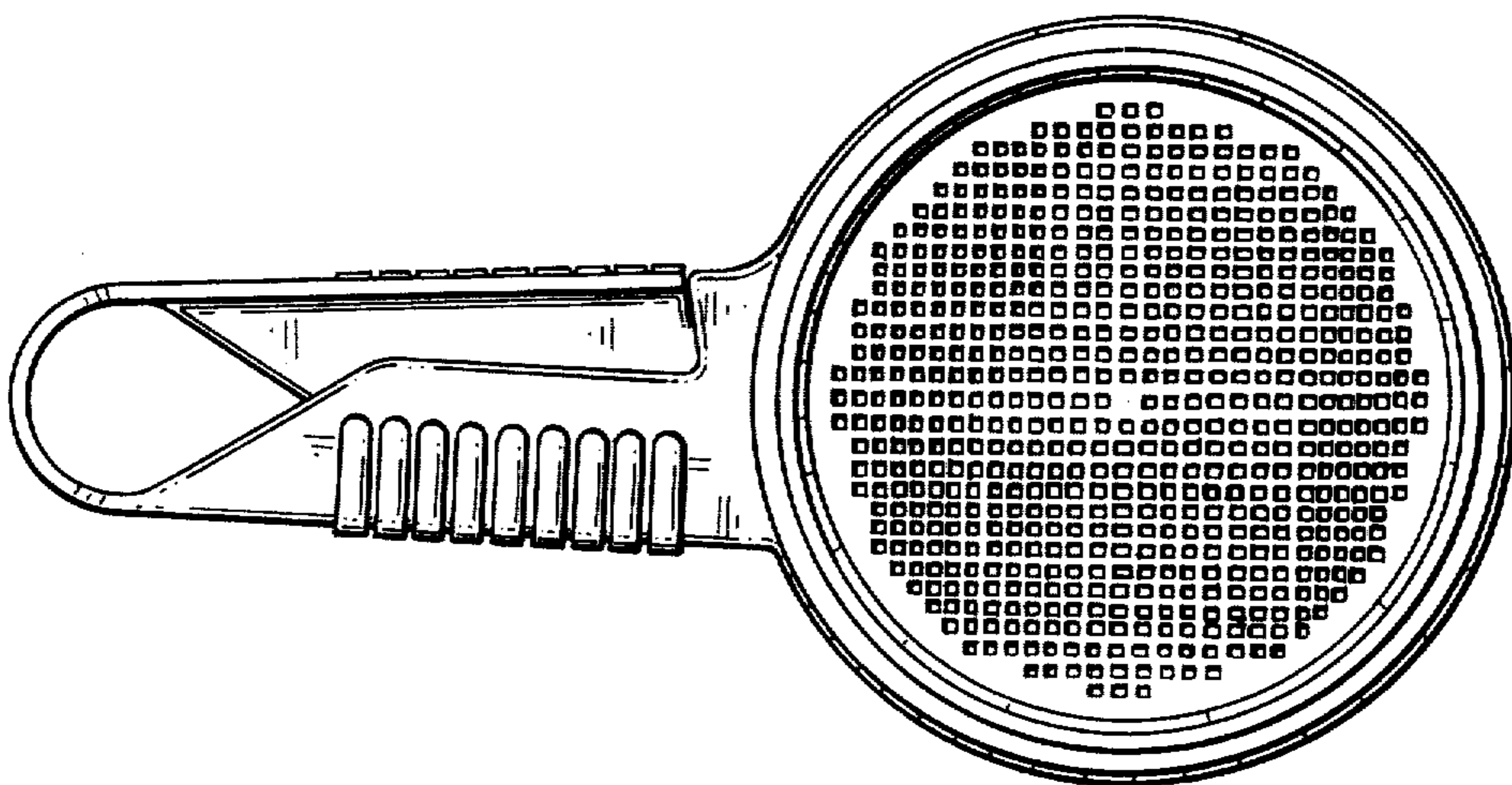


FIG. 5

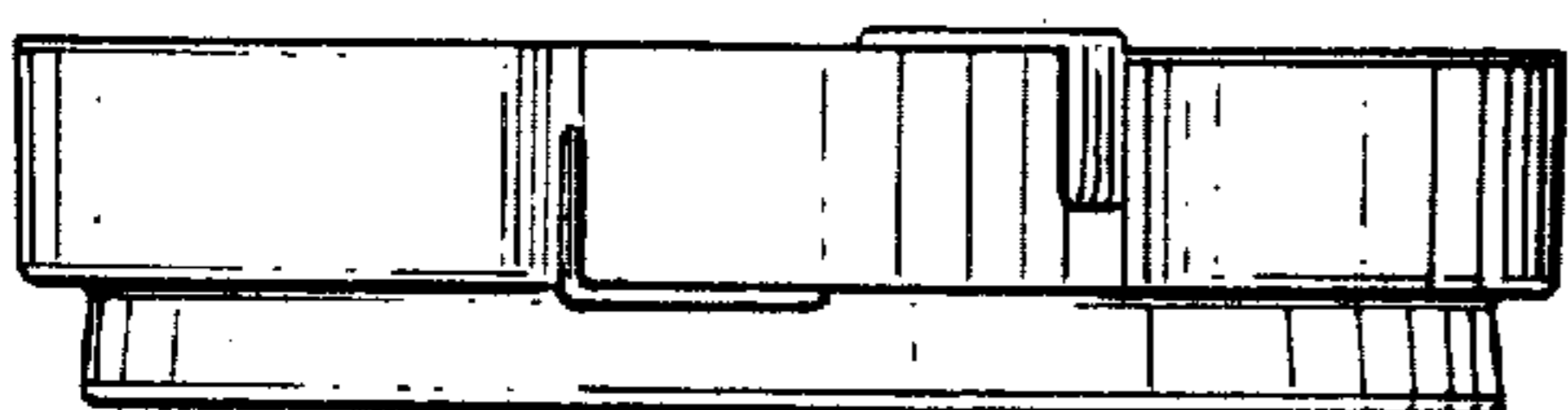


FIG. 6

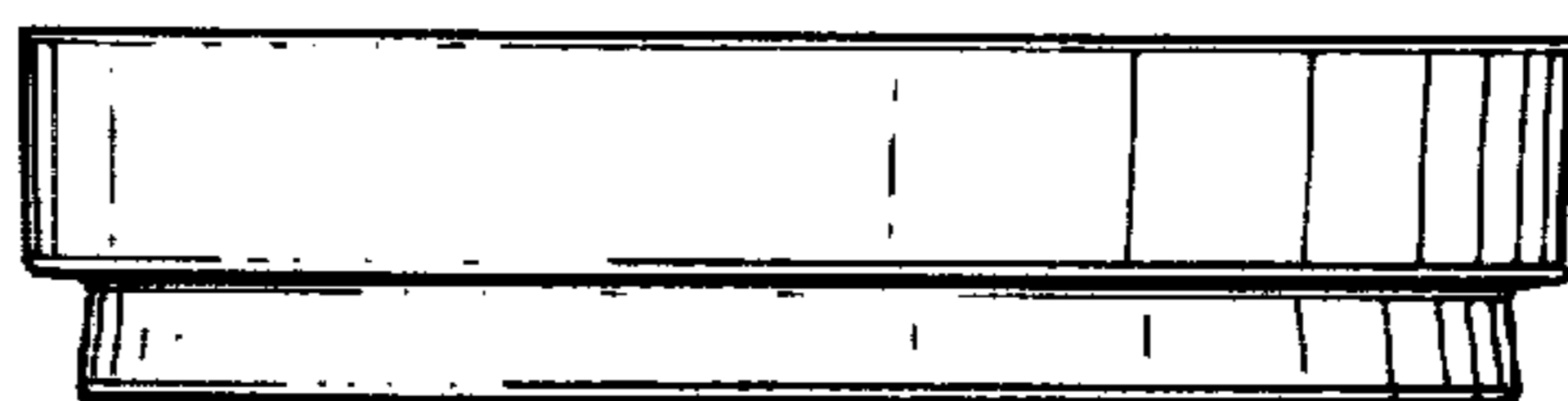


FIG. 7