

[54] FOOD CONTAINER

[75] Inventor: Roger Tallon, Paris, France

[73] Assignee: Cidelcem, Paris, France

[\*\*] Term: 14 Years

[21] Appl. No.: 251,130

[22] Filed: Apr. 6, 1981

[30] Foreign Application Priority Data

Oct. 9, 1980 [FR] France ..... 80 3139

[52] U.S. Cl. .... D7/16; D7/76

[58] Field of Search ..... D7/76, 77, 78, 79, 21, D7/16, 18; D9/424, 425, 431, 430, 429

[56] References Cited

U.S. PATENT DOCUMENTS

- D. 175,202 7/1955 Tupper ..... D7/76
- D. 212,821 11/1968 Benes ..... D9/424 X
- D. 238,148 12/1975 Dilot ..... D9/425 X
- D. 241,599 9/1976 Croyle ..... D7/76
- 2,780,259 2/1957 Nalle, Jr. .... D7/76 X

OTHER PUBLICATIONS

*Pyrex Ware*, Supplement to Home Furnishings Daily, Jan. 12, 1960, p. 2, top r., Space Saver Casserole-Covered, #575-21GA.

*Lustro-Ware*, Spring 58, Cat. No. 550, p. 8, bottom l. Covered Refrigerator Dish, #L-37.

Rubbermaid Food Box brochure, back page, center left panel, Lexan® Box, Crystal Clear.

Primary Examiner—Winifred E. Herrmann  
Attorney, Agent, or Firm—Kenyon & Kenyon

[57] CLAIM

The ornamental design for a food container, as shown and described.

DESCRIPTION

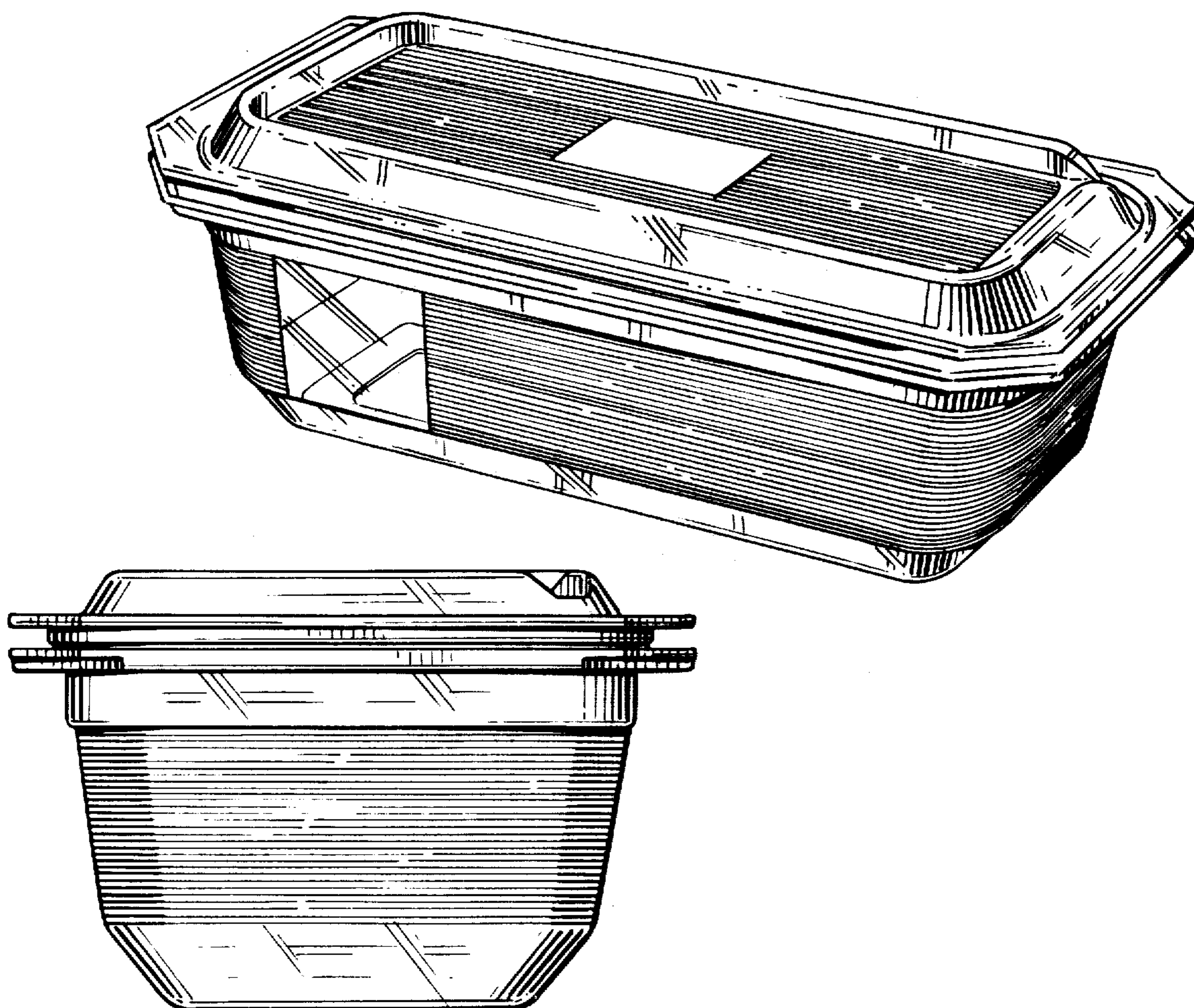
FIG. 1 is a side elevational view of a food container showing my new design. The opposite side view is identical except there is no corner gap in the raised rim of the cover.

FIG. 2 is a left end elevational view thereof. The opposite end view is identical except there is no corner gap in the raised rim of the cover.

FIG. 3 is a top perspective view thereof showing the side opposite that of FIG. 1 and the end shown in FIG. 2.

FIG. 4 is a top perspective view thereof showing the end and side of FIGS. 2 and 1, respectively.

The design is characterized by the closely spaced horizontal lines on the sides and ends of the food container and by the angled corners of the flanged rims of the food container and cover.



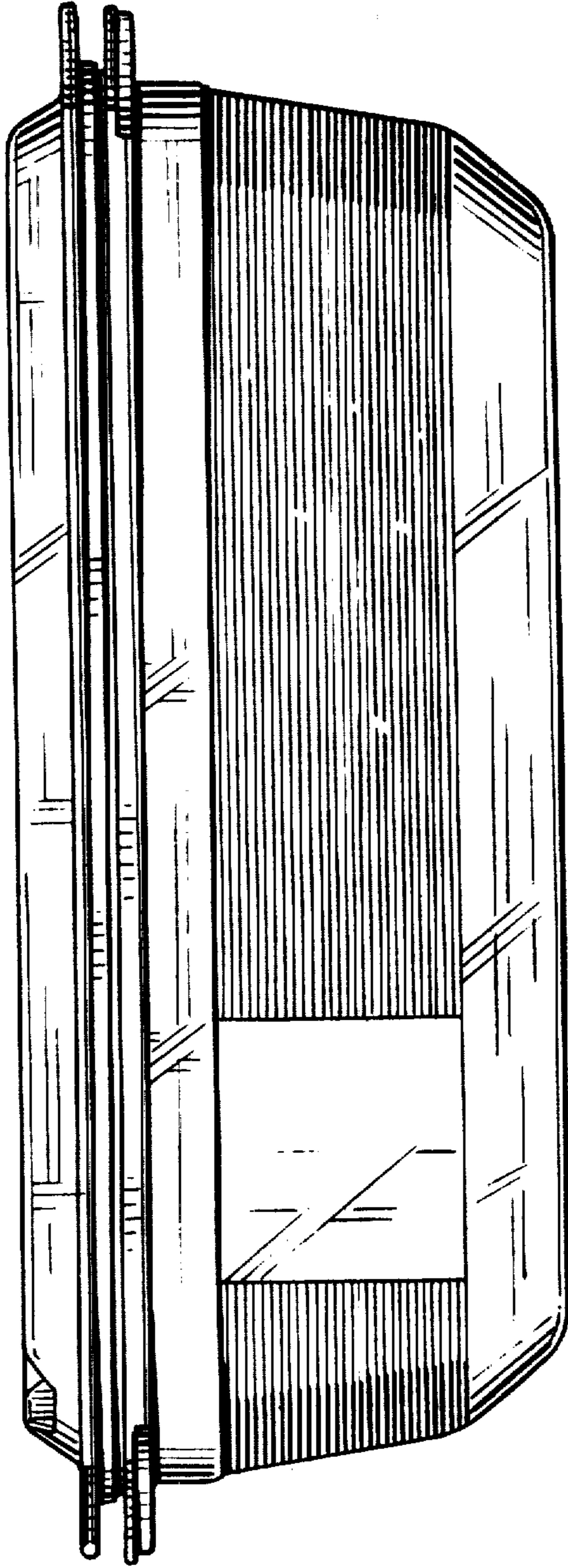


Fig. 1.

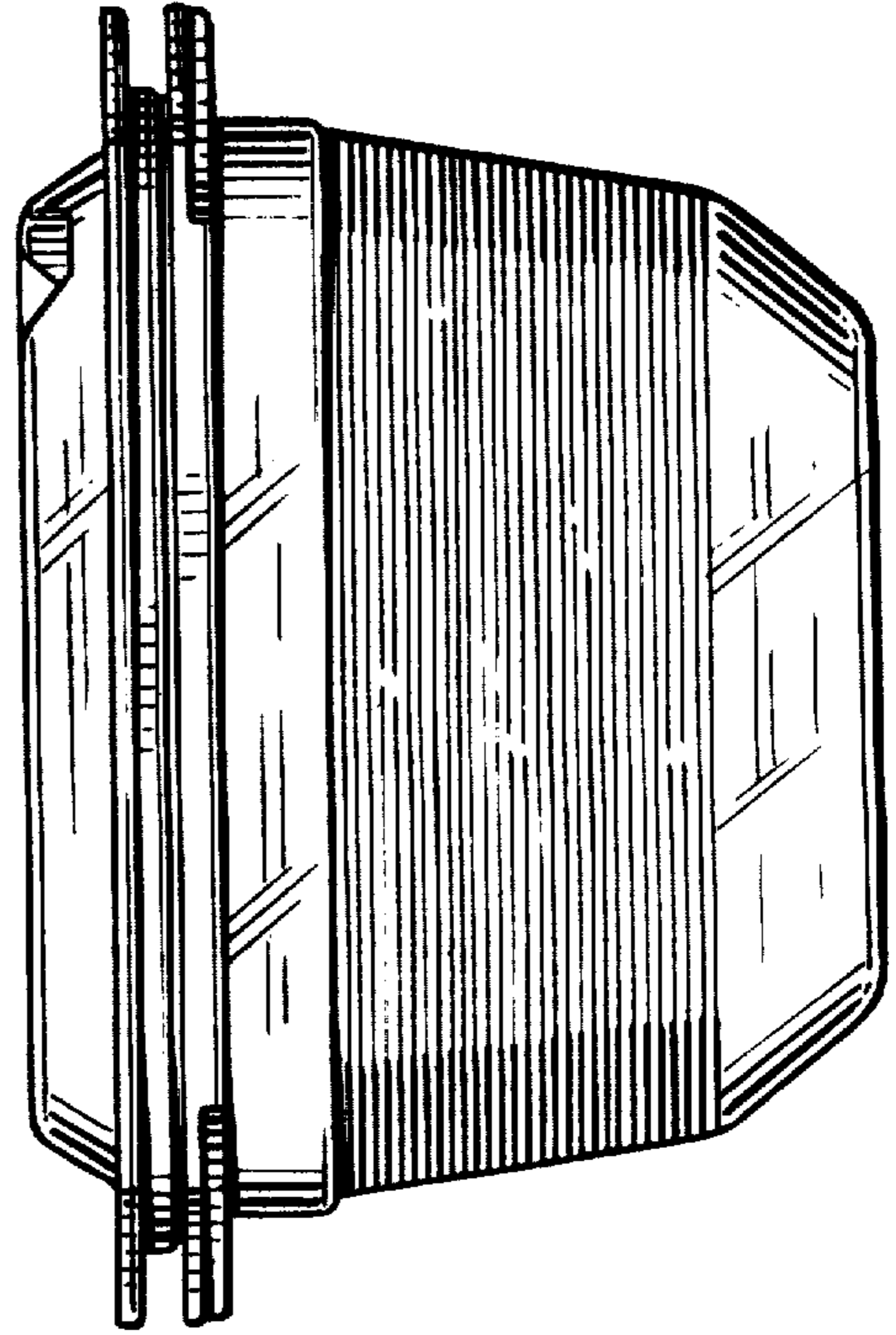


Fig. 2.

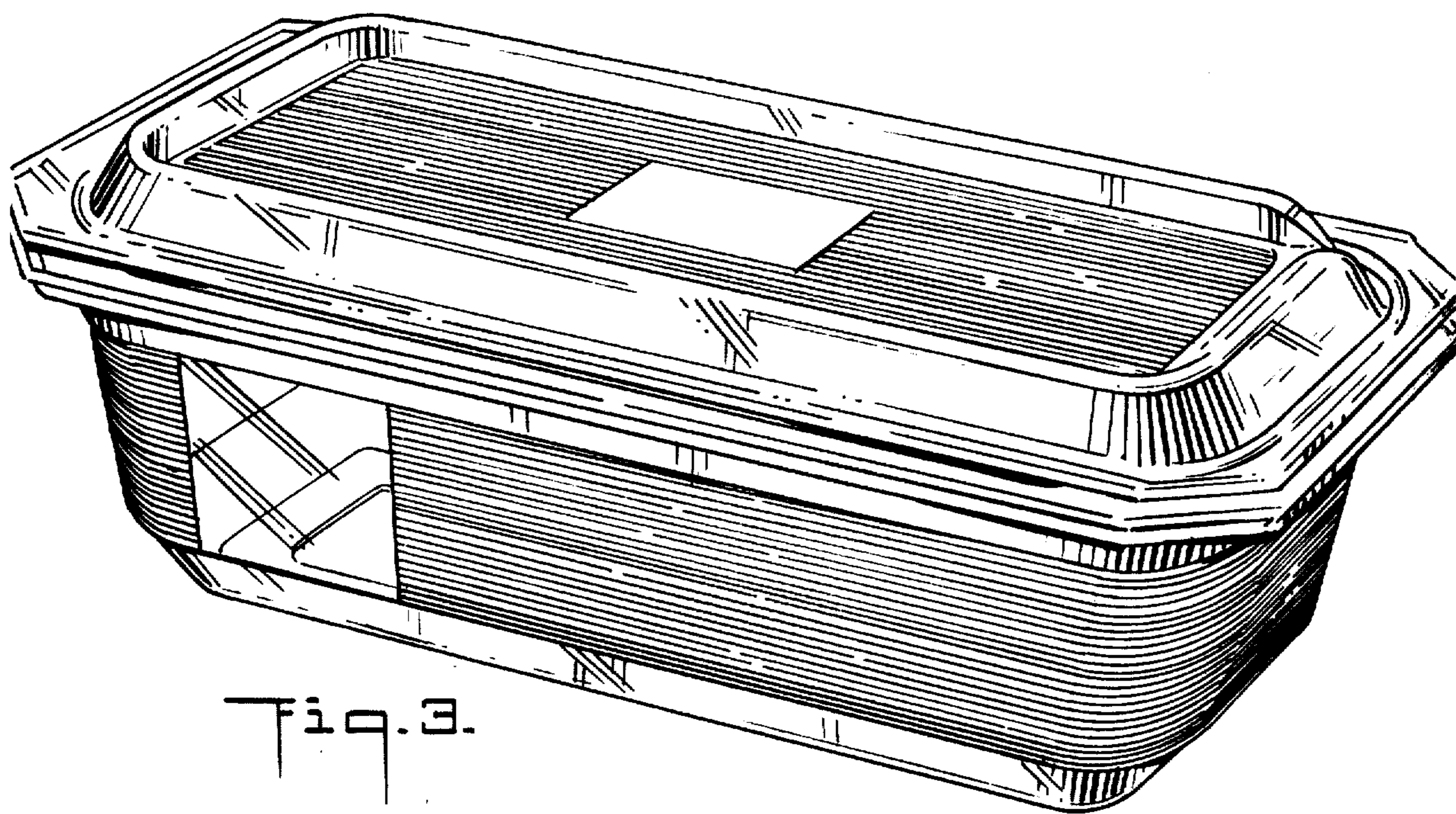


Fig. 3.

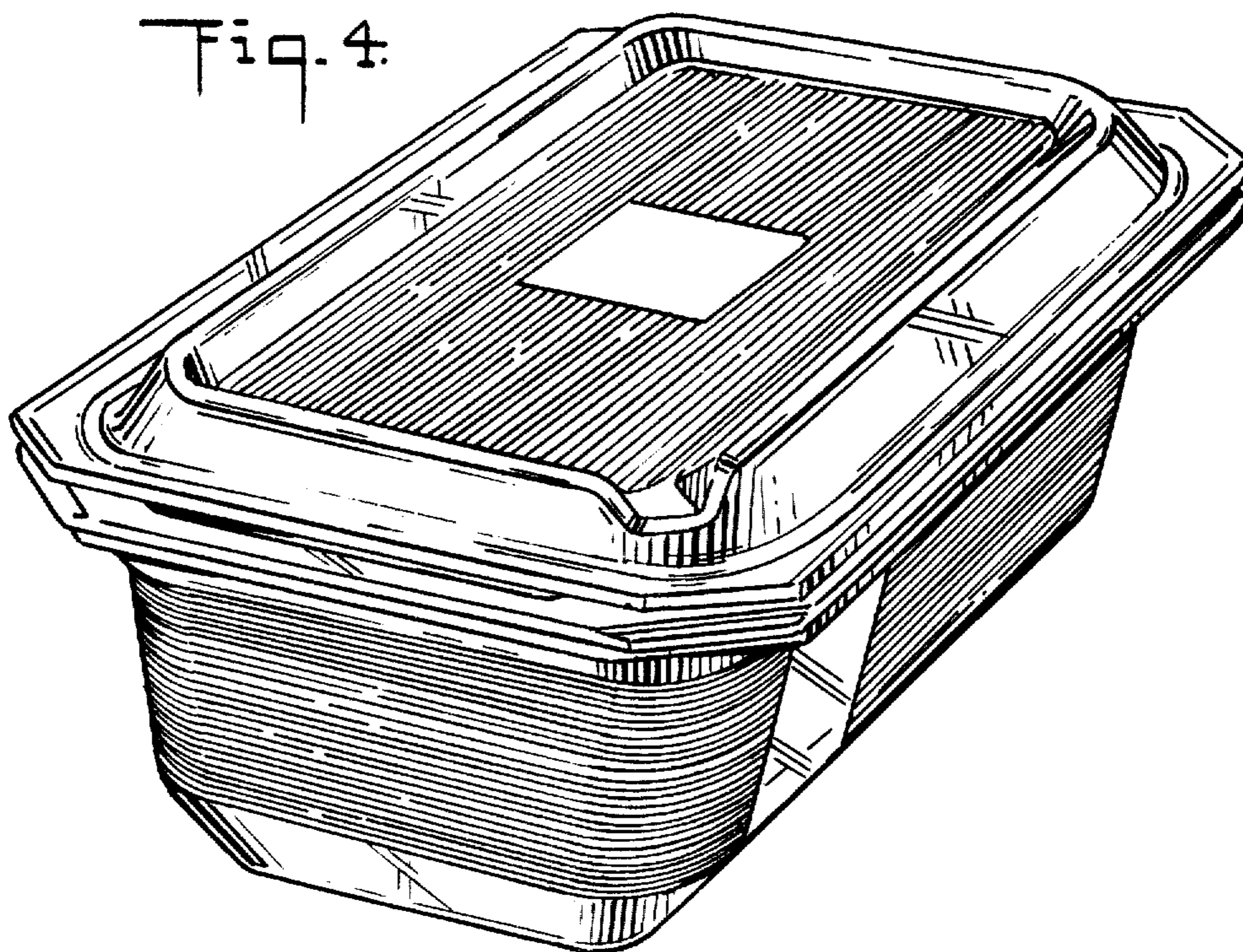


Fig. 4.